












Assembly Instructions

Caution : You must read this before you proceed

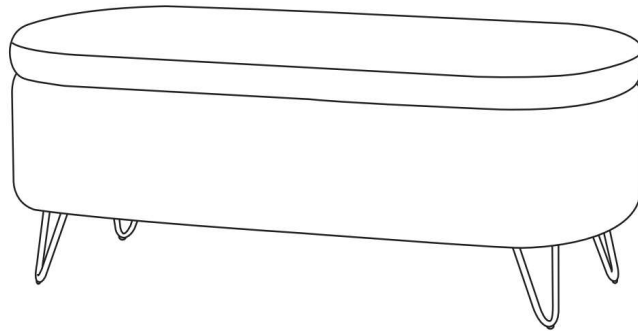
Care & Maintenance

-  ● Not for commercial use. For residential use only.
-  ● Furniture may scratch floors. We recommend using furniture pads to protect your floors.
-  ● Do not put hot items directly on furniture surface.
-  ● Do not clean furniture with harsh cleansers or polish.
-  ● Do not place furniture under direct sunlight.
-  ● Do not place furniture near heating or cooling vents.
-  ● Do not write on furniture without a padded barrier to protect the surface.
-  ● Do not place furniture outside . For indoor use only.
-  ● Stains may be removed with mild soap solution and damp cloth.
-  ● Children should not climb or jump on the furniture.
-  ● Dust and pick-up spills using a clean, non-colored, lint-free cloth.



Please look in the magic tape pouch for hardware packs and legs

Sets often ship in multiple boxes and may arrive a day or two apart.





STORAGE OTTOMAN









Parts List

Label	Picture	Description	QTY
A		Ottoman	1
B		Metal Leg	4

Hardware

Label	Picture	Description	QTY
①		Bolt(M8*25mm)	13
②		Flat Washer	13
③		Spring Washer	13
④		Allen Wrench(S5)	1

Assembly Preparation

Before Beginning Assembly:					
					
	X4	X13	X13	X13	X1



- Read instructions, cover to cover-



- Have 2 adults on hand for assembly-



- Do not assemble on flooring or carpet-



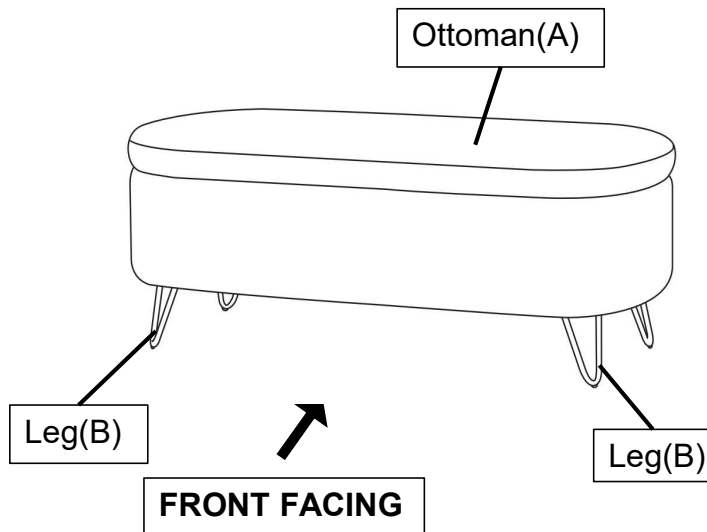
- Assemble on a clean non-marring surface (packing foam)-



- Save all packaging until finished-

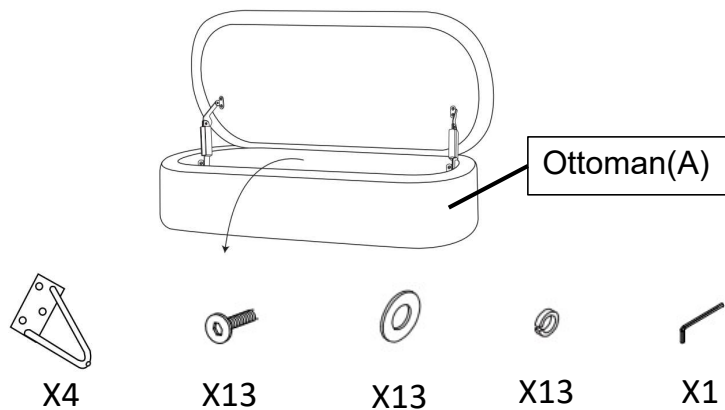
Assembly Steps

OVERVIEW



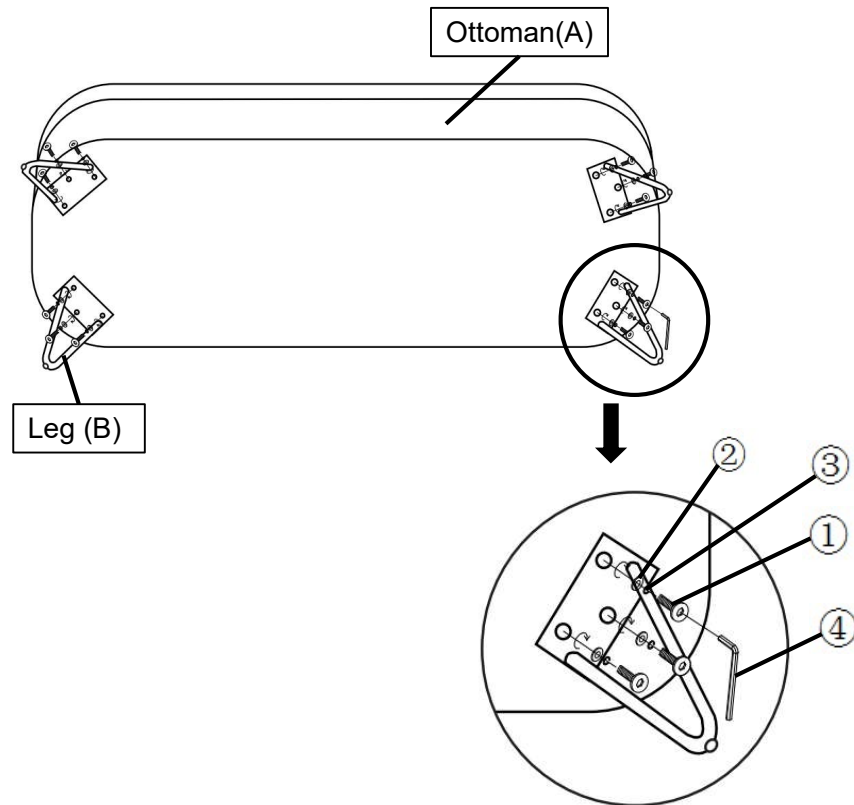
This Ottoman has multiple parts and may require up to 10 minutes to assemble. To give you an overview of the Ottoman parts, the above picture is to help you put the various Ottoman parts into perspective. Please read through the instructions to familiarise yourself with the parts and steps before assembly.

Step 1



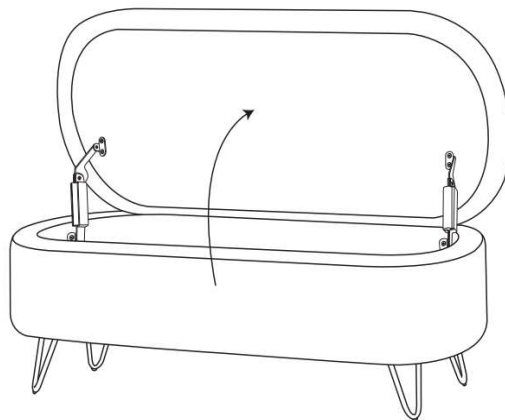
Position the Ottoman(A) on a clean, non-marring surface.
 Open the Ottoman(A) and remove the four Legs(B) and Hardware package.
 Then Close the Ottoman(A) before assembling.

Step 2



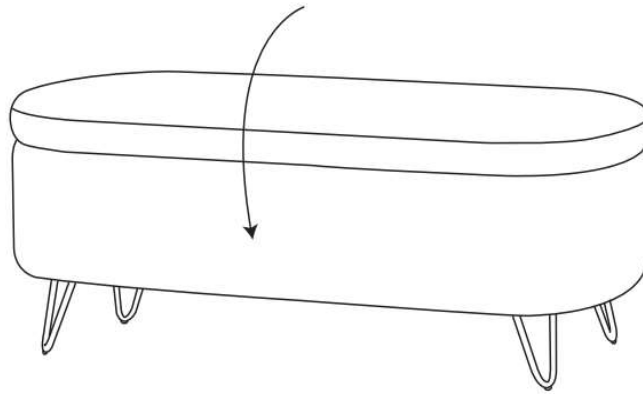
By using Bolt(①),SpringWasher(③),Flat Washer(②) with Allen Wrench(④) turning clockwise until tight.

Step 3



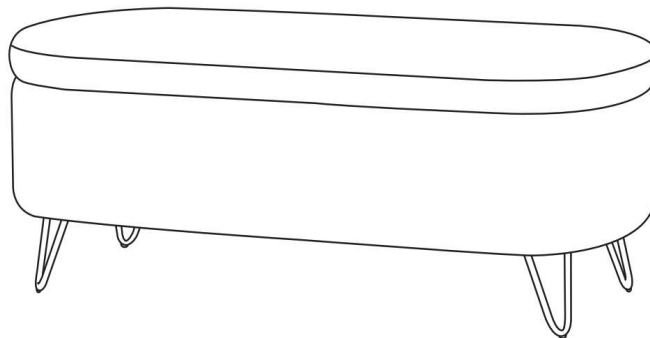
The Ottoman can be freely opened.

Step 4



The Ottoman can be freely closed.

Step 5



Your Ottoman is ready for use.
Your Ottoman can only be used on a flat, level surface.