

BWQMALSW

Assembly Instructions

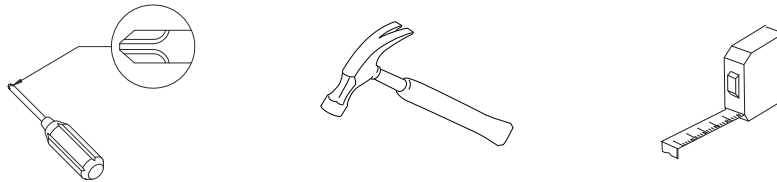


Please visit our website for the most current instructions, assembly tips, to report damage or request parts. www.walkeredison.com

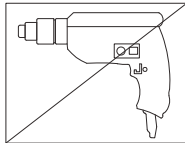
Revised 01/2023 V1

General Assembly Guidelines

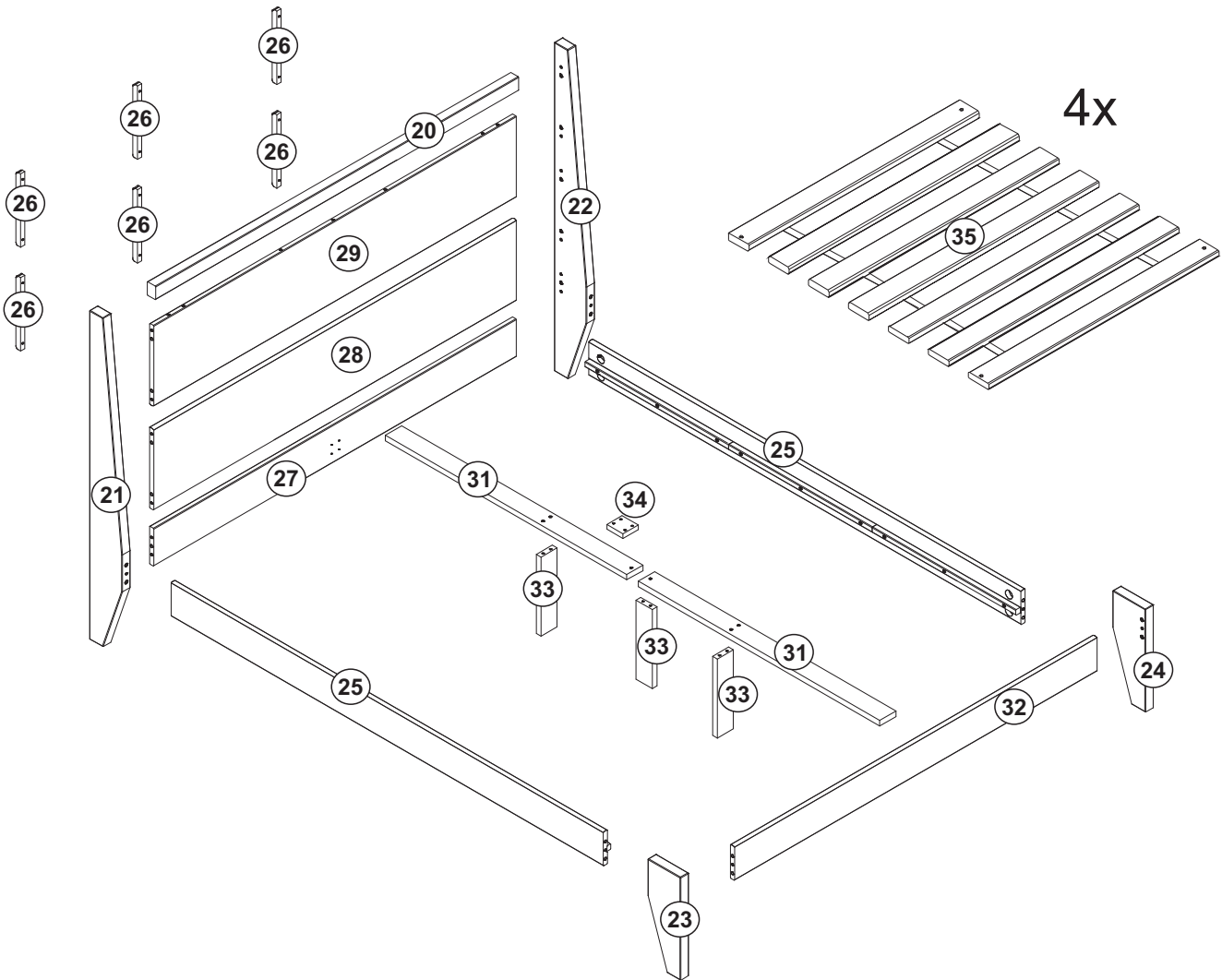
- I. Ensure that all parts and hardware are available before beginning assembly.
- II. Follow each step carefully to ensure the proper assembly of this product.
- III. Two people are recommended for ease in the assembly of this product.
- IV. The three main types of hardware used to assemble this product are wood dowels, screws and bolts.
- V. A phillips head screwdriver, hammer and tape measure is required for the assembly of this product.



- V I. Power tools should not be used to assemble this product.



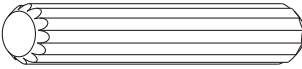
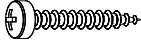

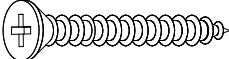

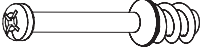
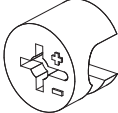
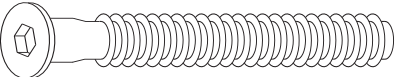

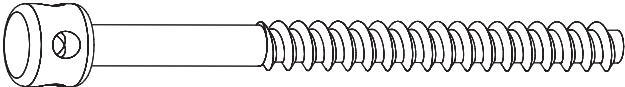
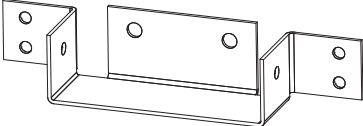
Parts List

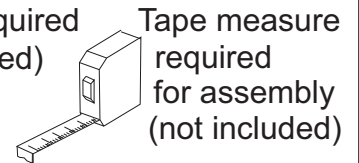
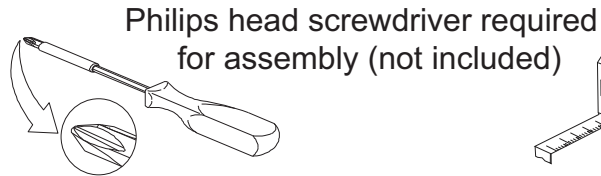
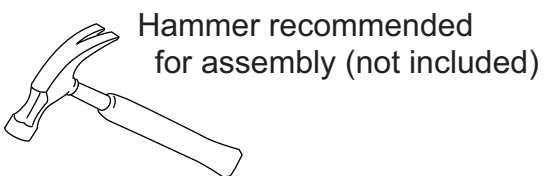


Part #	Description	Qty
29	Upper headboard rail	01 pcs
28	Center headboard rail	01 pcs
27	Bottom headboard rail	01 pcs
25	Rail	02 pcs
26	Back headboard rail	06 pcs
20	Headboard apply	01 pcs
33	Center Foot	03 pcs
34	Bed frame support	01 pcs

Part #	Description	Qty
31	Center support rail	02 pcs
35	Slats	04 pcs
21	Left headboard foot	01 pcs
22	Right headboard foot	01 pcs
23	Left foot	01 pcs
24	Right foot	01 pcs
32	Board rail	01 pcs

Hardware List

A		ø8*40mm	Wooden dowel	25 pcs
B		ø4,0*16mm	Screw	16 pcs
C		ø25x15 mm	Fork Washer	22 pcs
D		ø4,0*30mm	Screw	38 pcs
E		ø2,0 mm	Allen Wrench	01 pc
F		ø5,0*24mm	Cam Bolt	04 pcs
G		ø15*12mm	Cam Lock	04 pcs
H		ø7,0*50mm	Screw	06 pcs
I		ø4,0 mm	Hex key	01 pc
J		ø1/4*60 mm	Perforated Head Screw	22 pcs
K			Metal Support	02 pcs



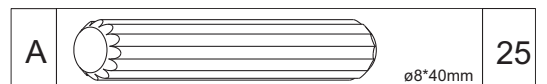
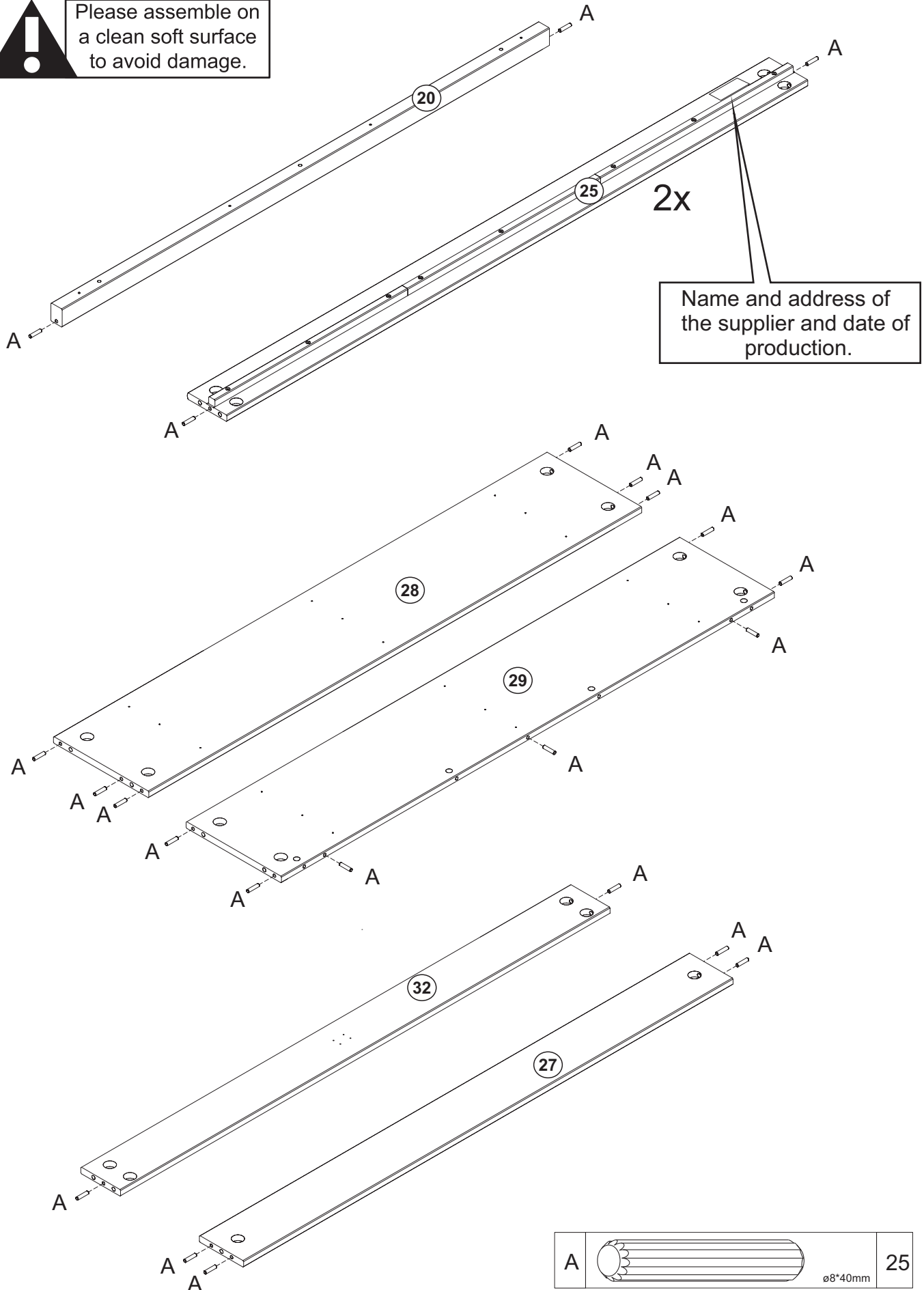
The hardware quantities listed above are required for proper assembly. Some extra hardware may also have been included.

Step 1

Insert wooden dowel A (x25) into parts 20,25,28,29,32,27.



Please assemble on a clean soft surface to avoid damage.

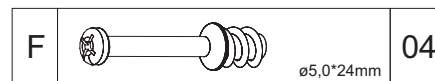
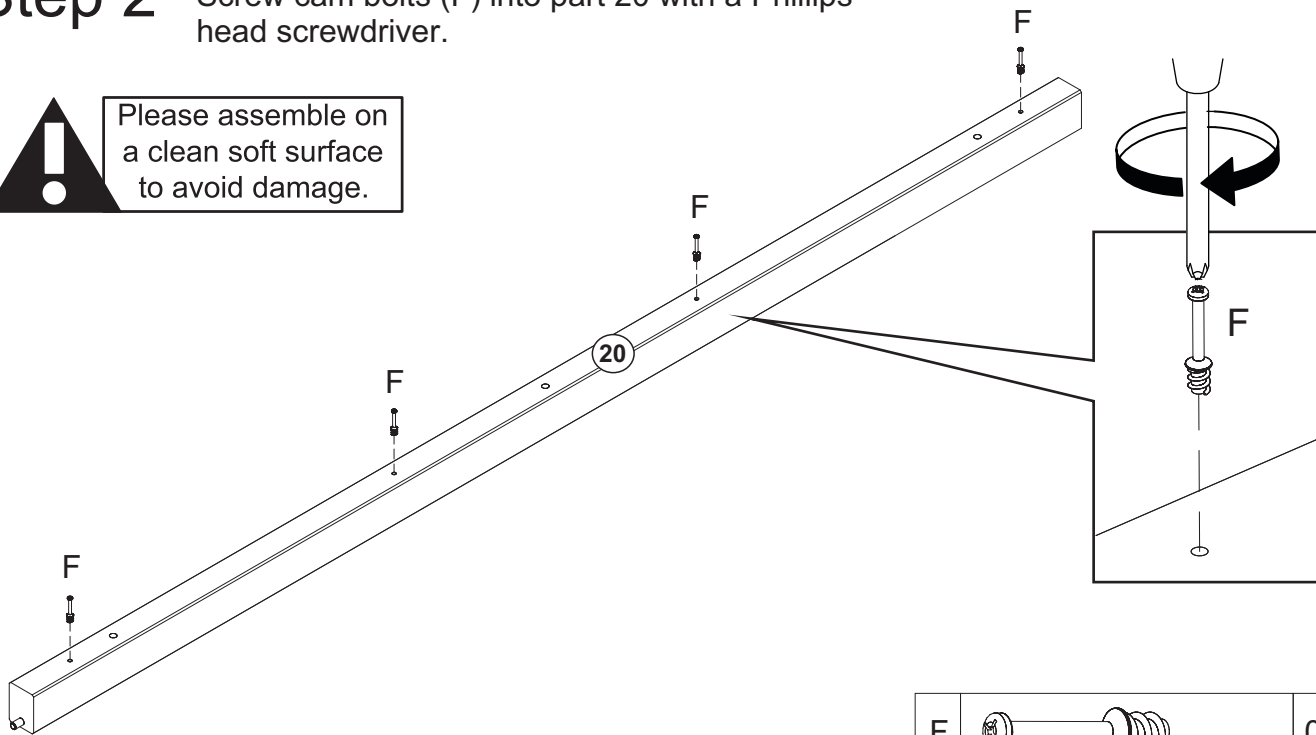


Step 2

Screw cam bolts (F) into part 20 with a Phillips head screwdriver.



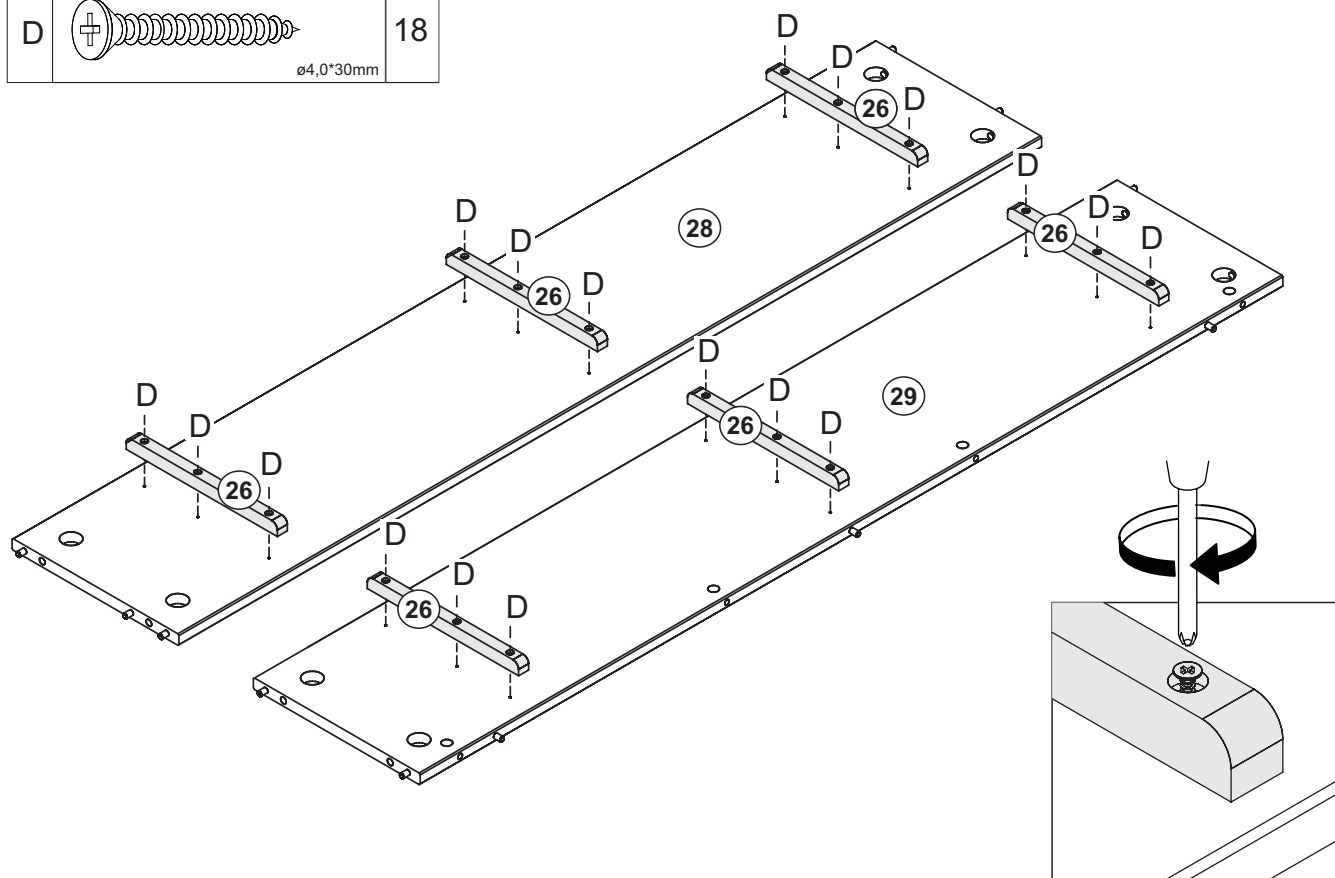
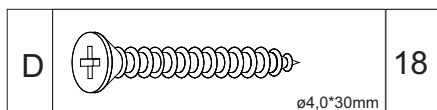
Please assemble on a clean soft surface to avoid damage.



Step 3

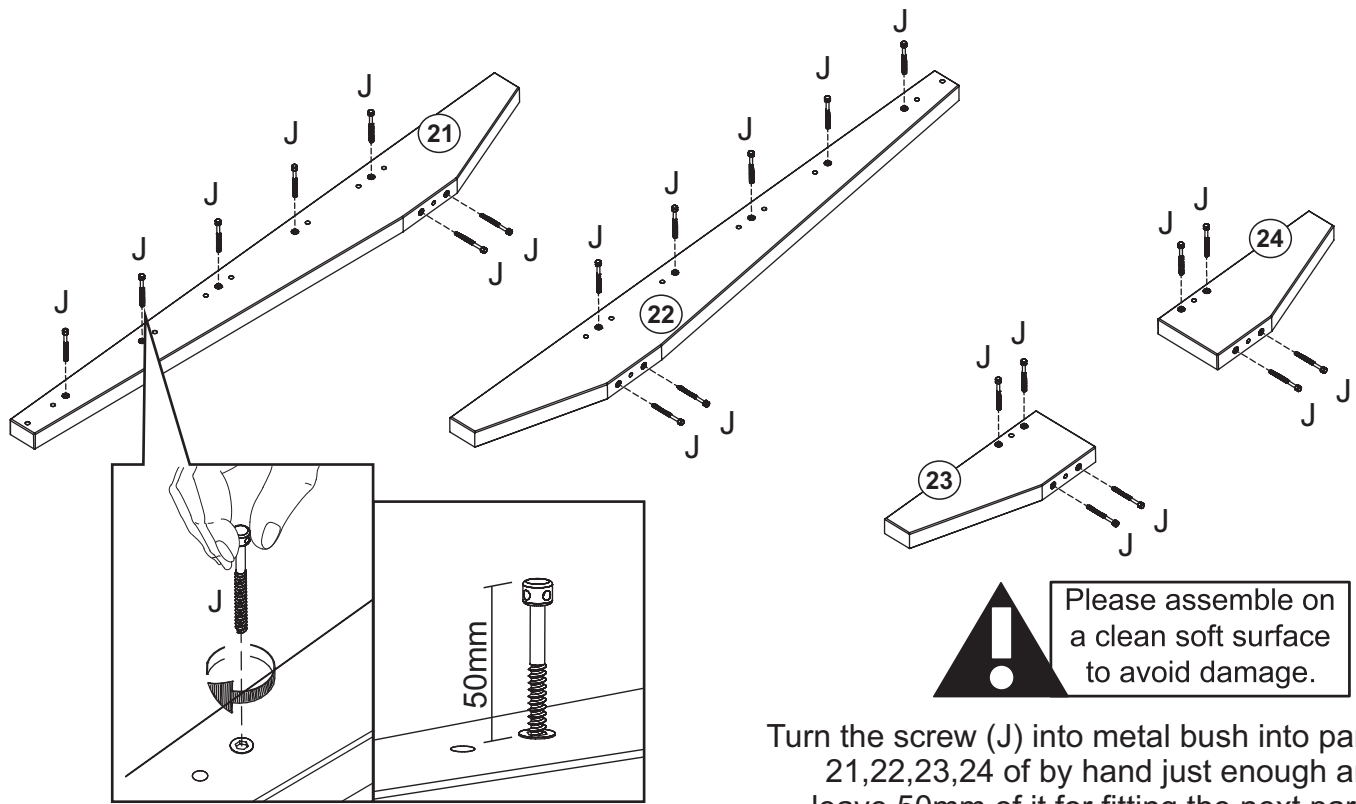
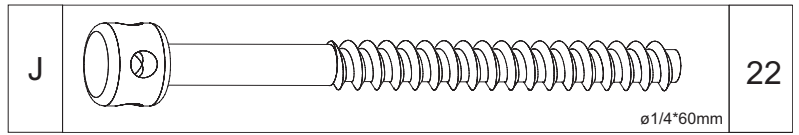


Please assemble on a clean soft surface to avoid damage.



Secure parts 26 to part 28 and 29 with screw (D) and Phillips head screwdriver.

Step 4

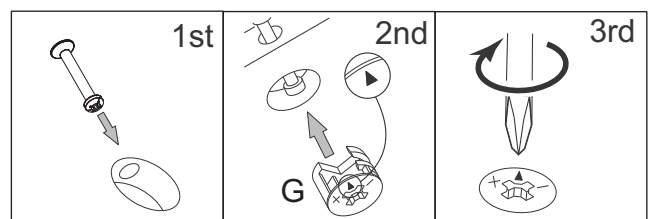
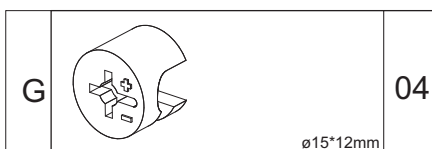
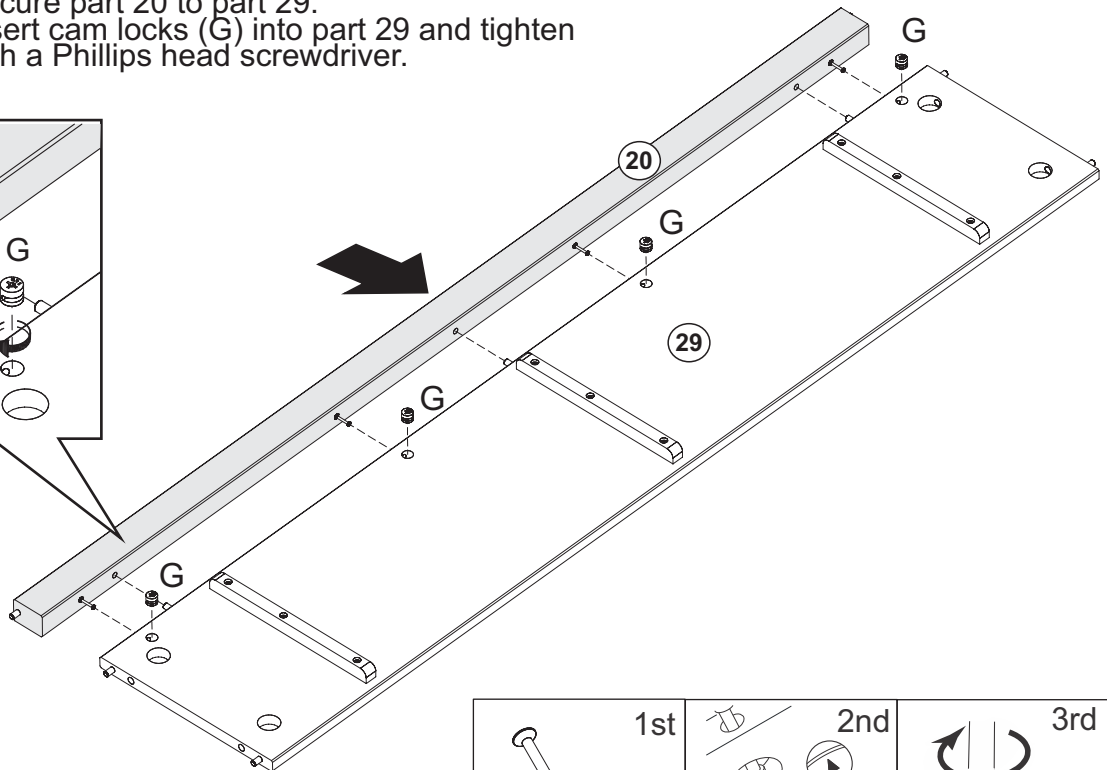
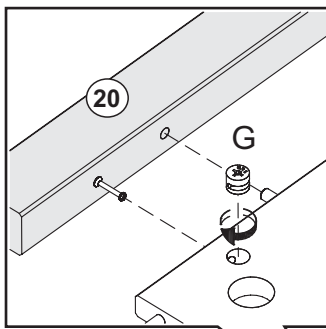


! Please assemble on a clean soft surface to avoid damage.

Turn the screw (J) into metal bush into parts 21,22,23,24 of by hand just enough and leave 50mm of it for fitting the next parts.

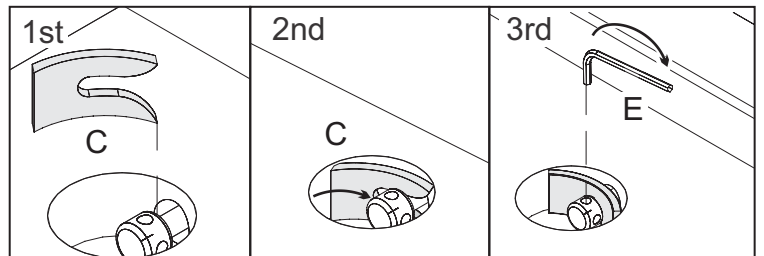
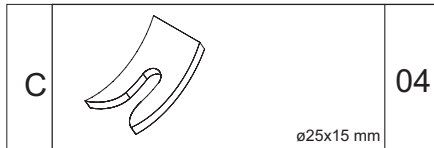
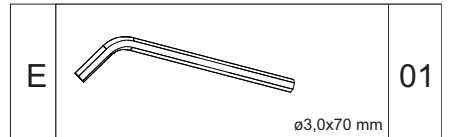
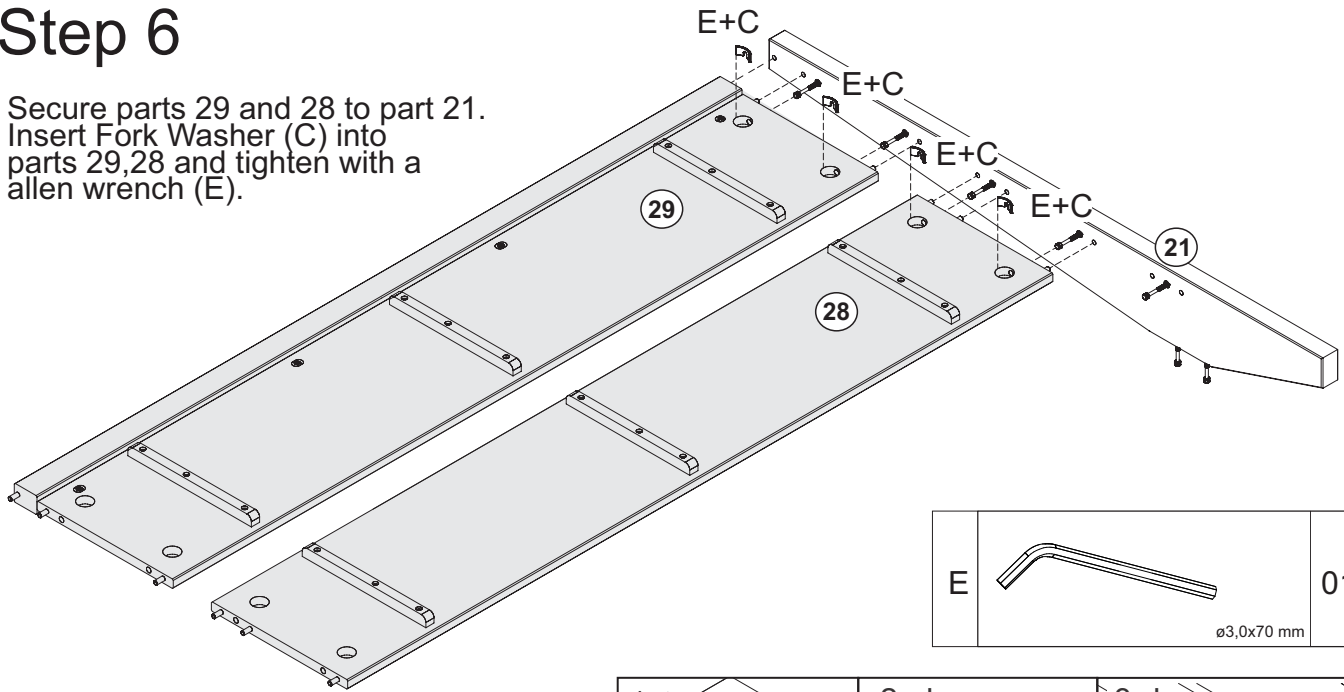
Step 5

Secure part 20 to part 29.
Insert cam locks (G) into part 29 and tighten with a Phillips head screwdriver.



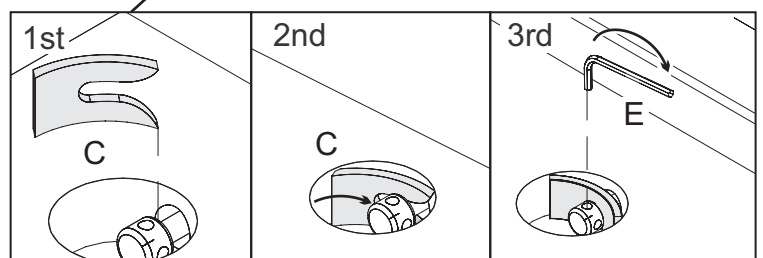
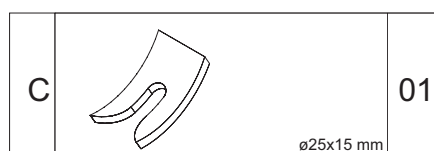
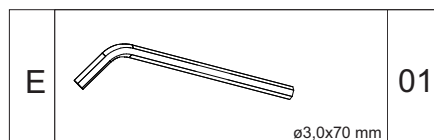
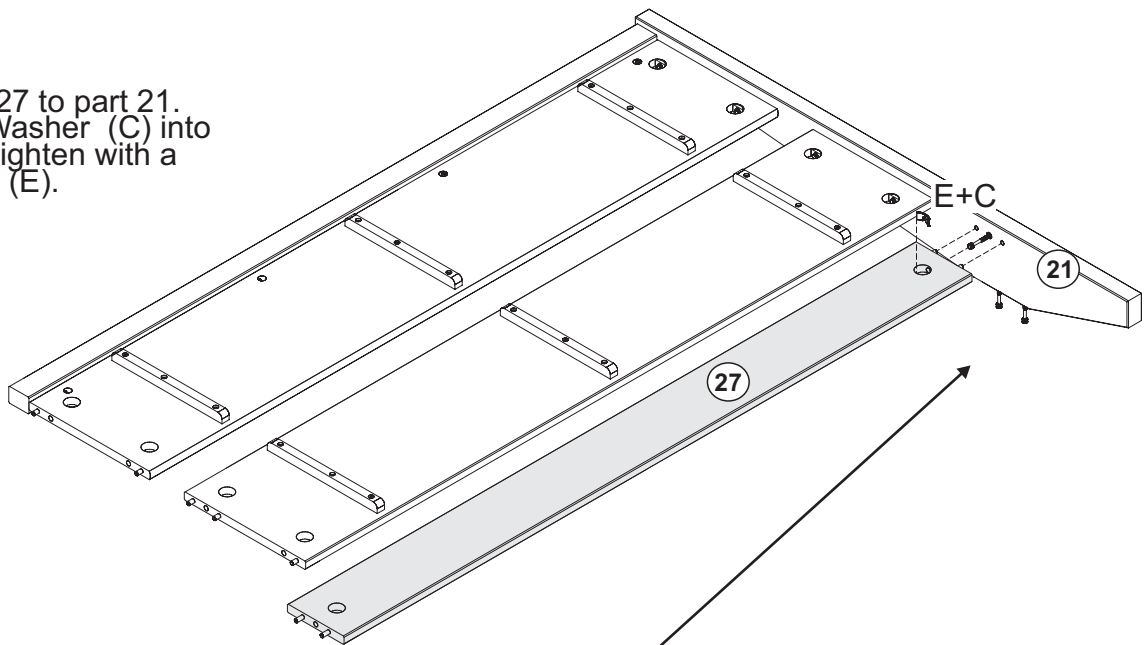
Step 6

Secure parts 29 and 28 to part 21.
Insert Fork Washer (C) into
parts 29,28 and tighten with a
allen wrench (E).

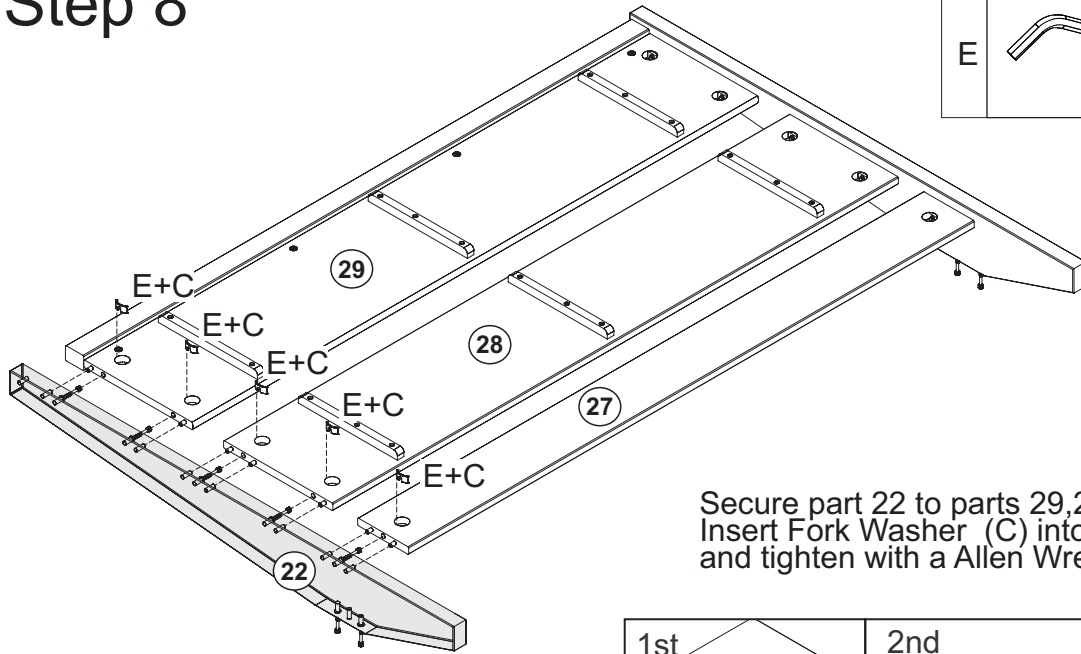
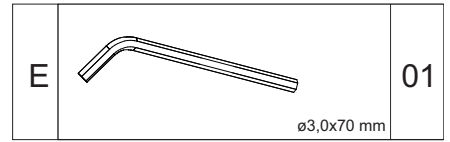


Step 7

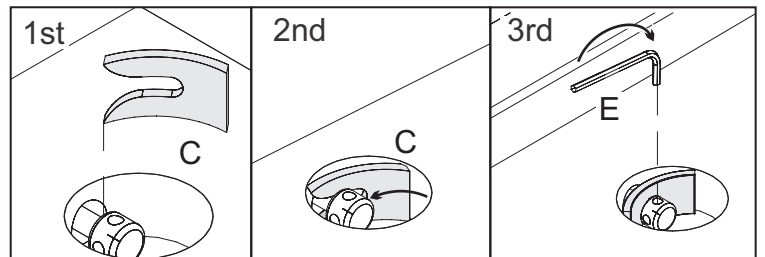
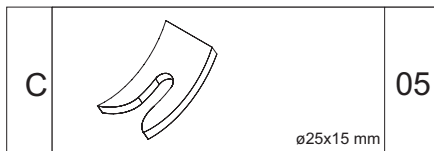
Secure part 27 to part 21.
Insert Fork Washer (C) into
part 27 and tighten with a
allen wrench (E).



Step 8

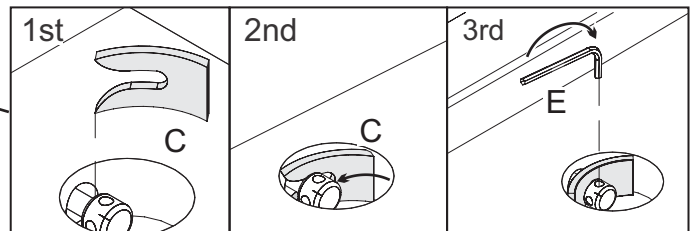
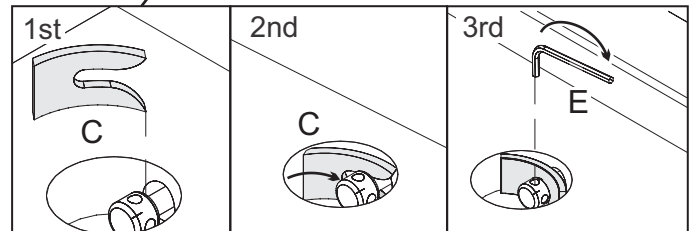
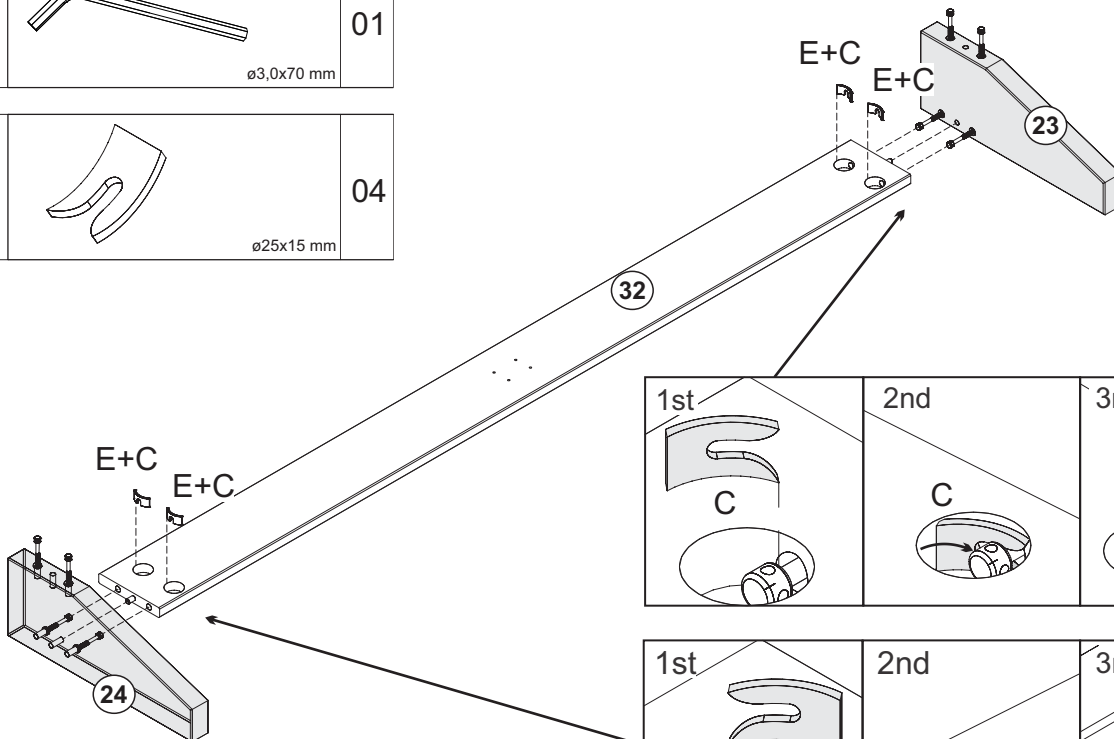
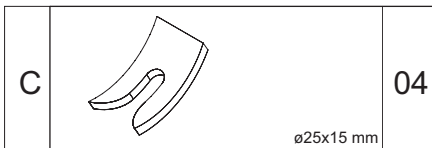
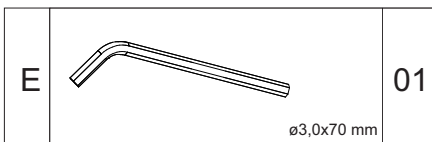


Secure part 22 to parts 29,28,27.
Insert Fork Washer (C) into parts 29,28,27
and tighten with a Allen Wrench (E).

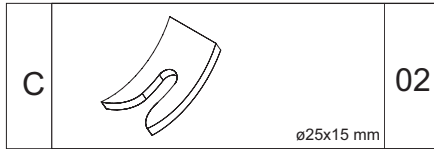
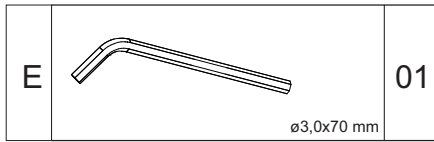


Step 9

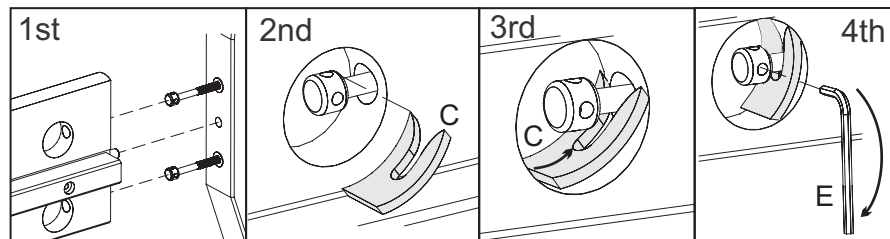
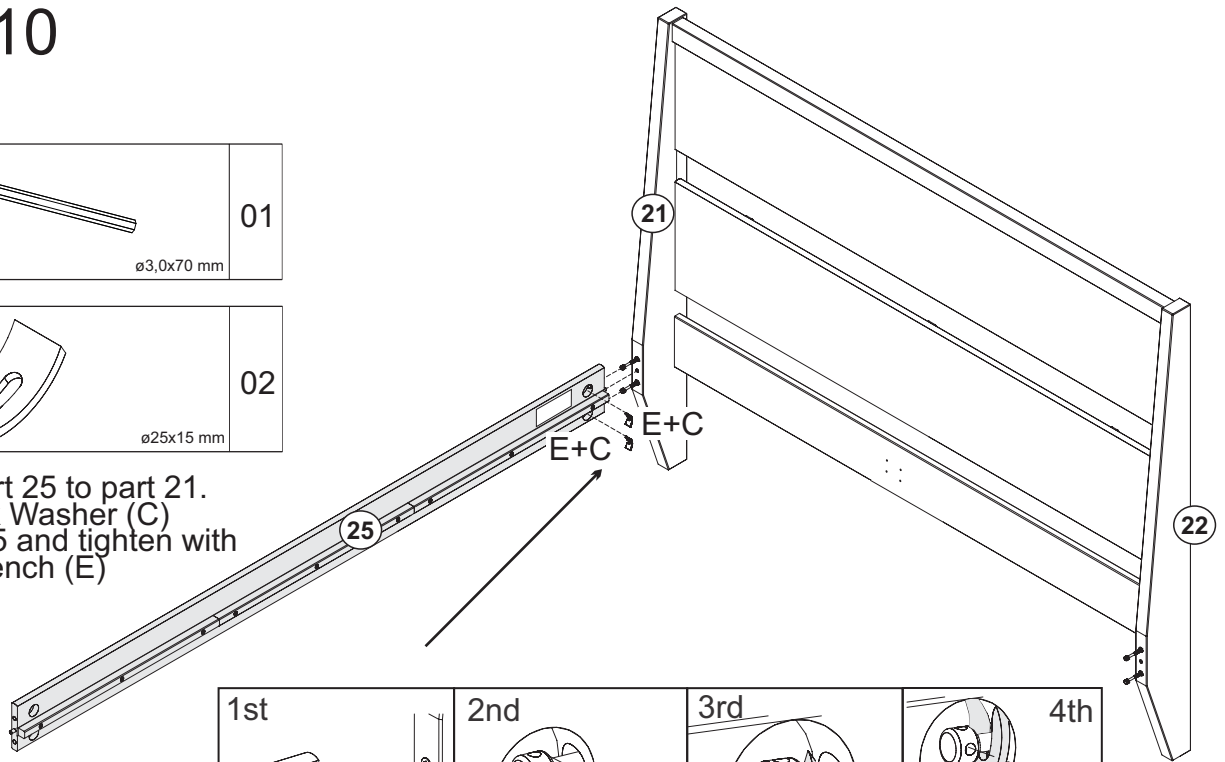
Secure parts 23,24 to part 32.
Insert Fork Washer (C) into part 32
and tighten with a Allen wrench (E).



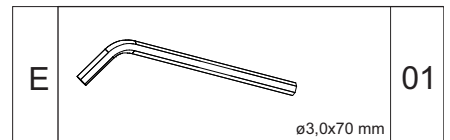
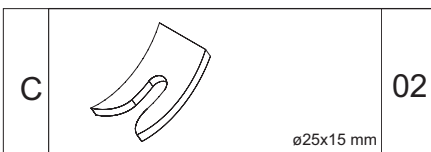
Step 10



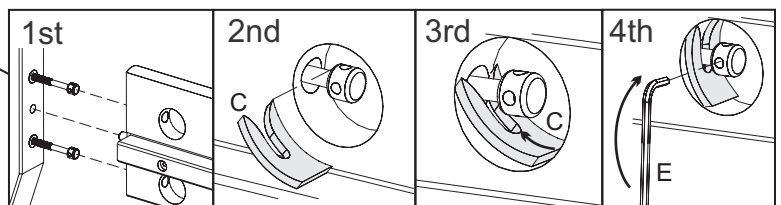
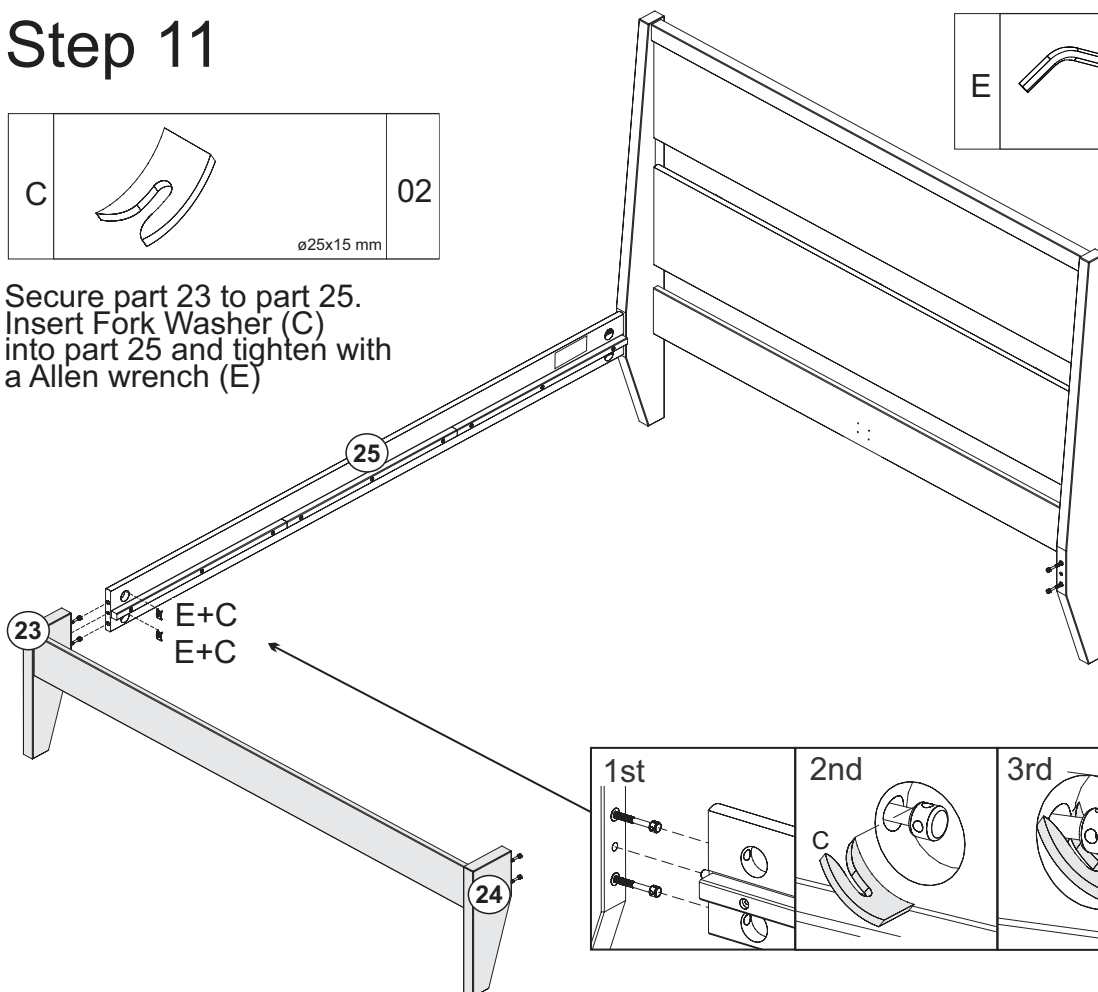
Secure part 25 to part 21.
Insert Fork Washer (C)
into part 25 and tighten with
a Allen wrench (E)



Step 11

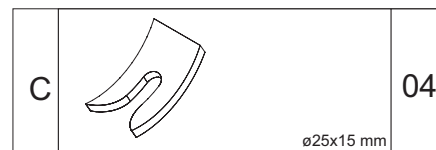
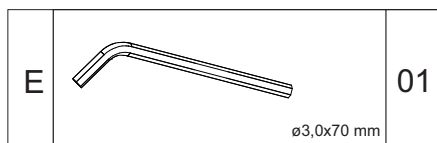
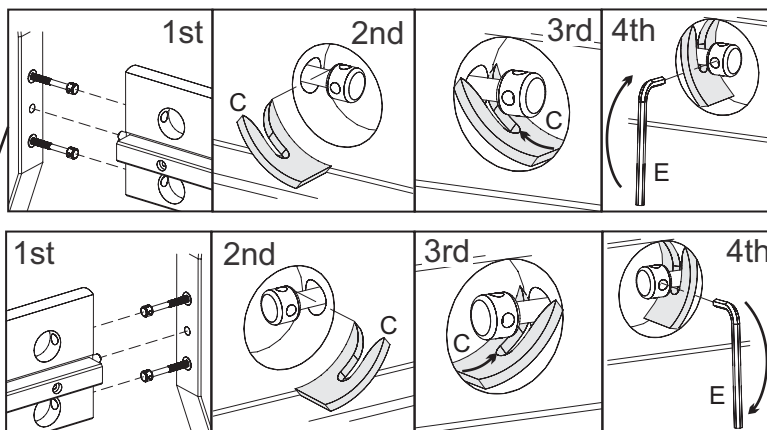
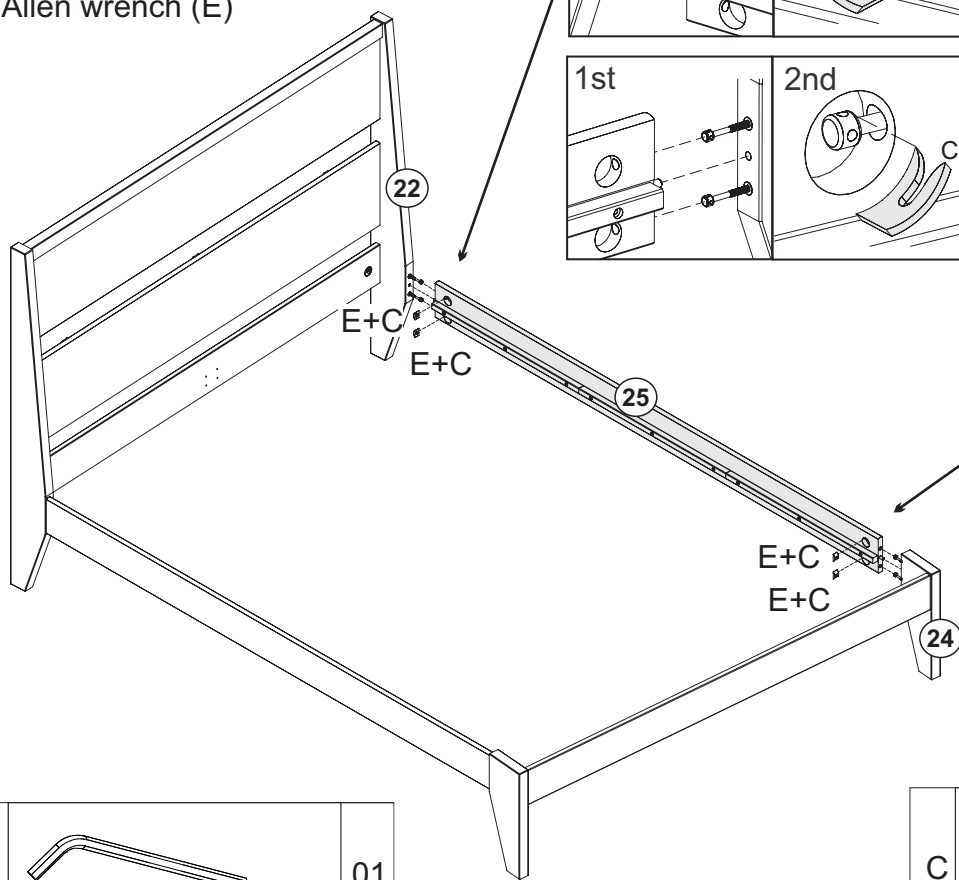


Secure part 23 to part 25.
Insert Fork Washer (C)
into part 25 and tighten with
a Allen wrench (E)

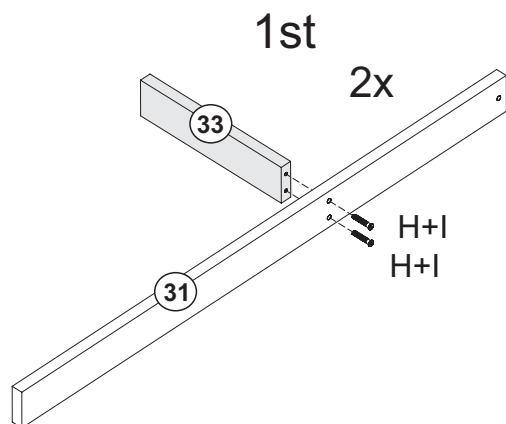
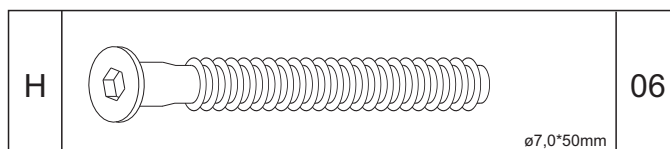


Step 12

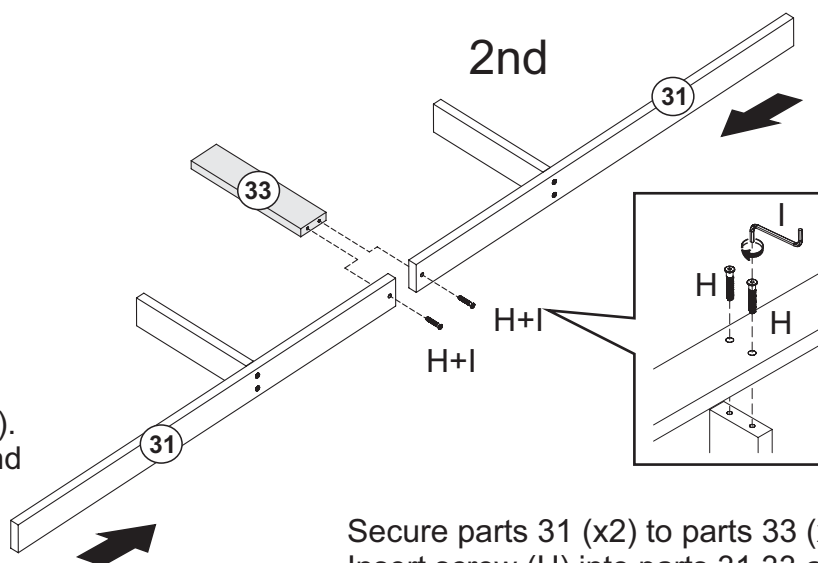
Secure part 25 to parts 22,24.
Insert Fork Washer (C)
into part 25 and tighten with
a Allen wrench (E)



Step 13



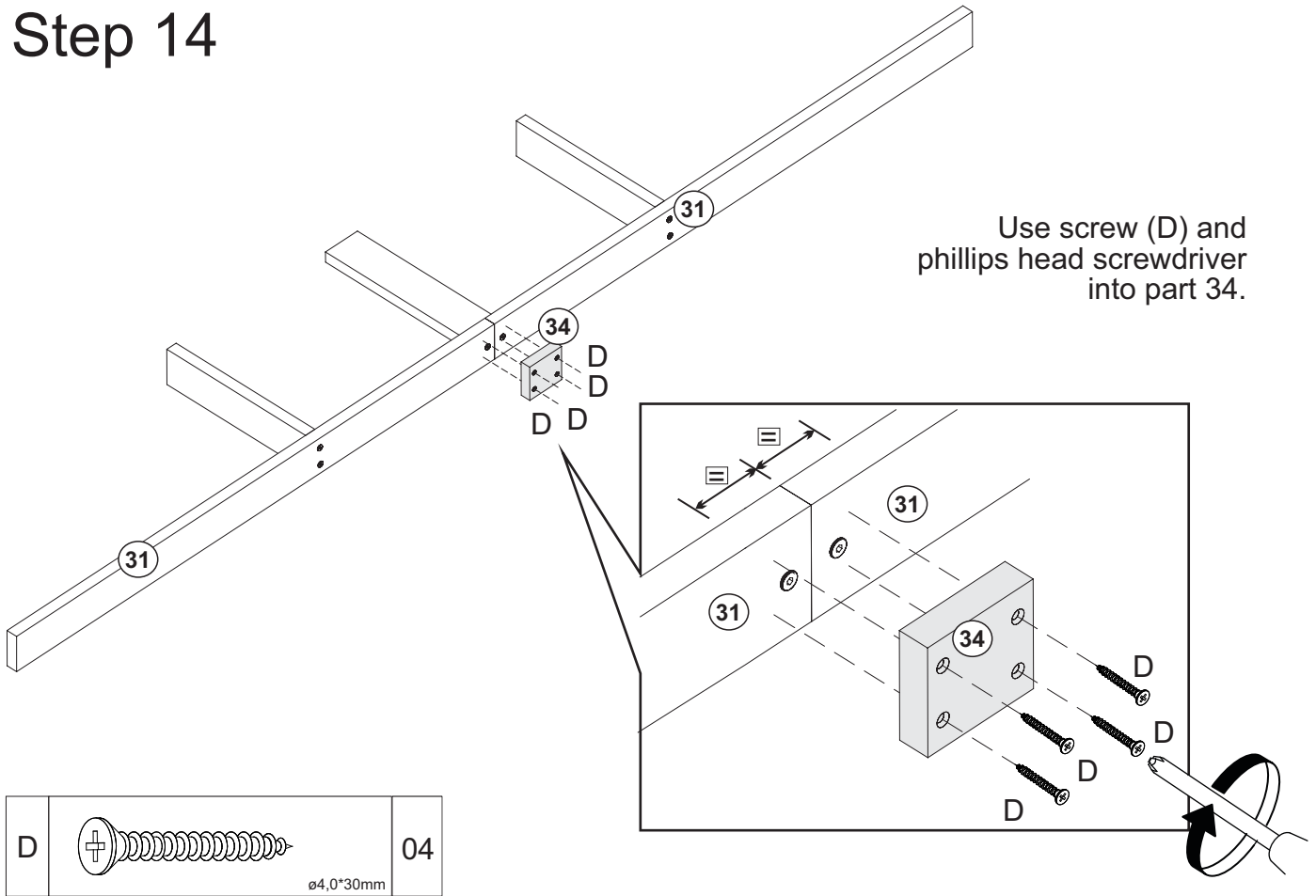
Secure parts 33 (x2) to parts 31(x2).
Insert screw (H) into parts 31, 33 and
tighten with a Hex Key (I).




Secure parts 31 (x2) to parts 33 (x1).
Insert screw (H) into parts 31,33 and
tighten with a Hex Key (I).

Step 14

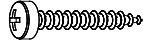
Use screw (D) and phillips head screwdriver into part 34.

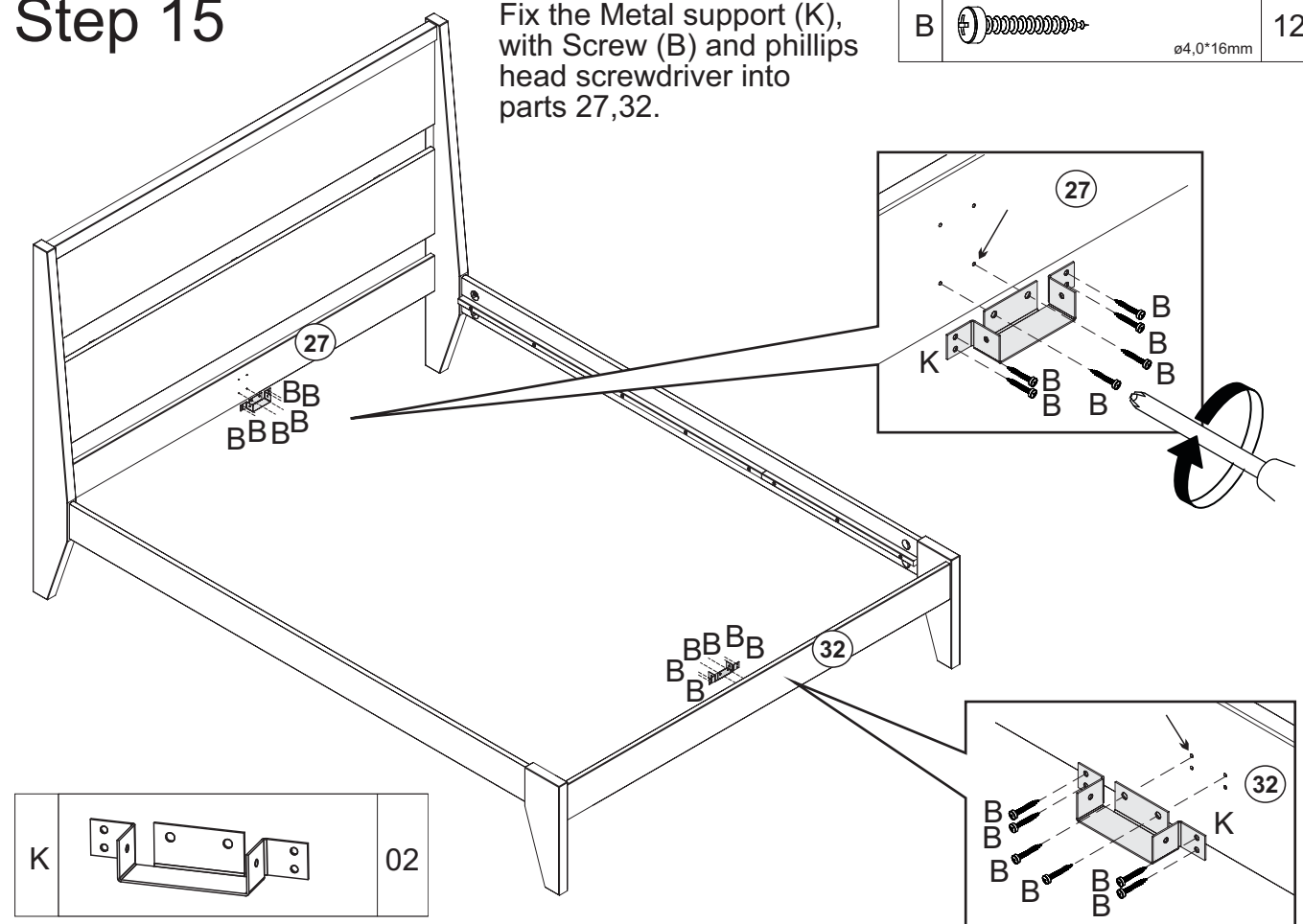


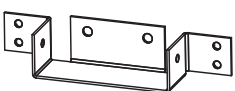
D		04
<small>ø4,0*30mm</small>		

Step 15

Fix the Metal support (K), with Screw (B) and phillips head screwdriver into parts 27,32.

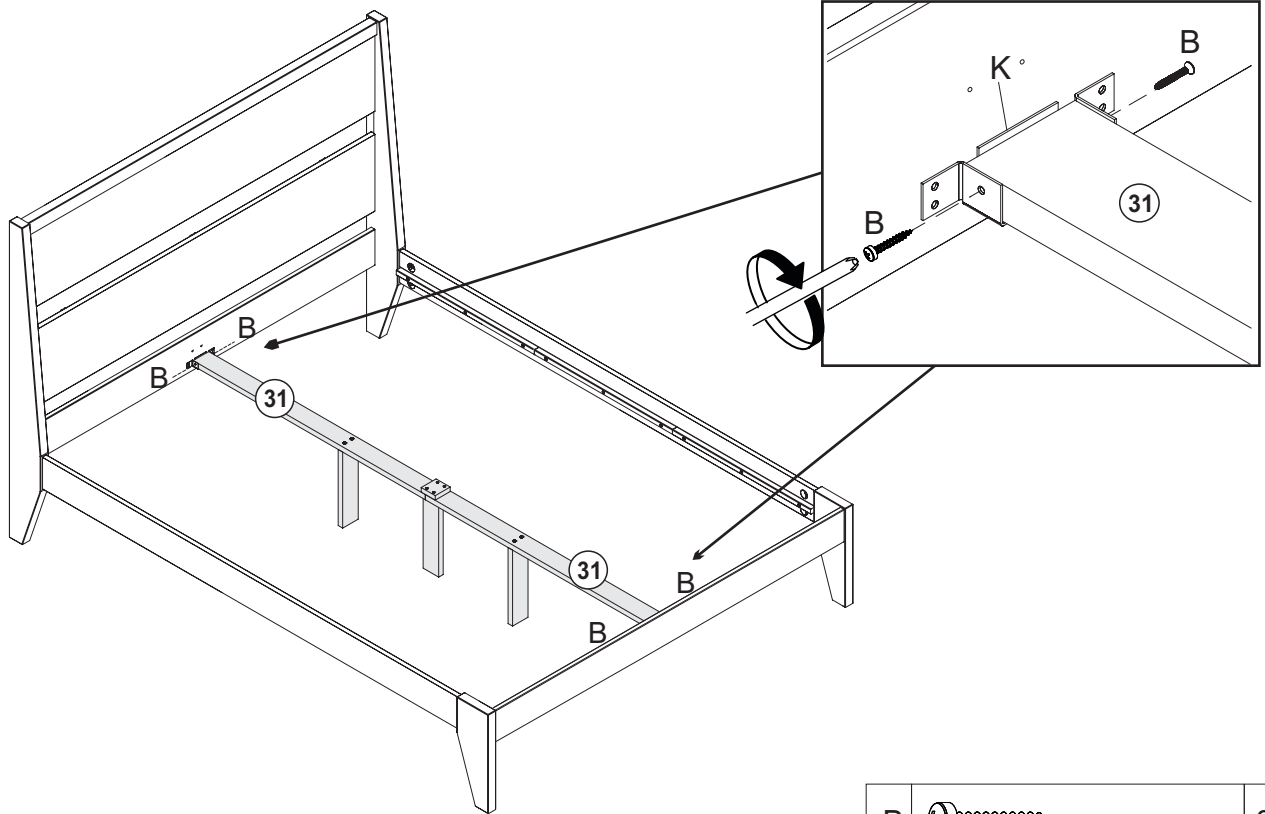
B		12
<small>ø4,0*16mm</small>		

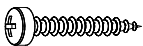


K		02
---	---	----

Step 16

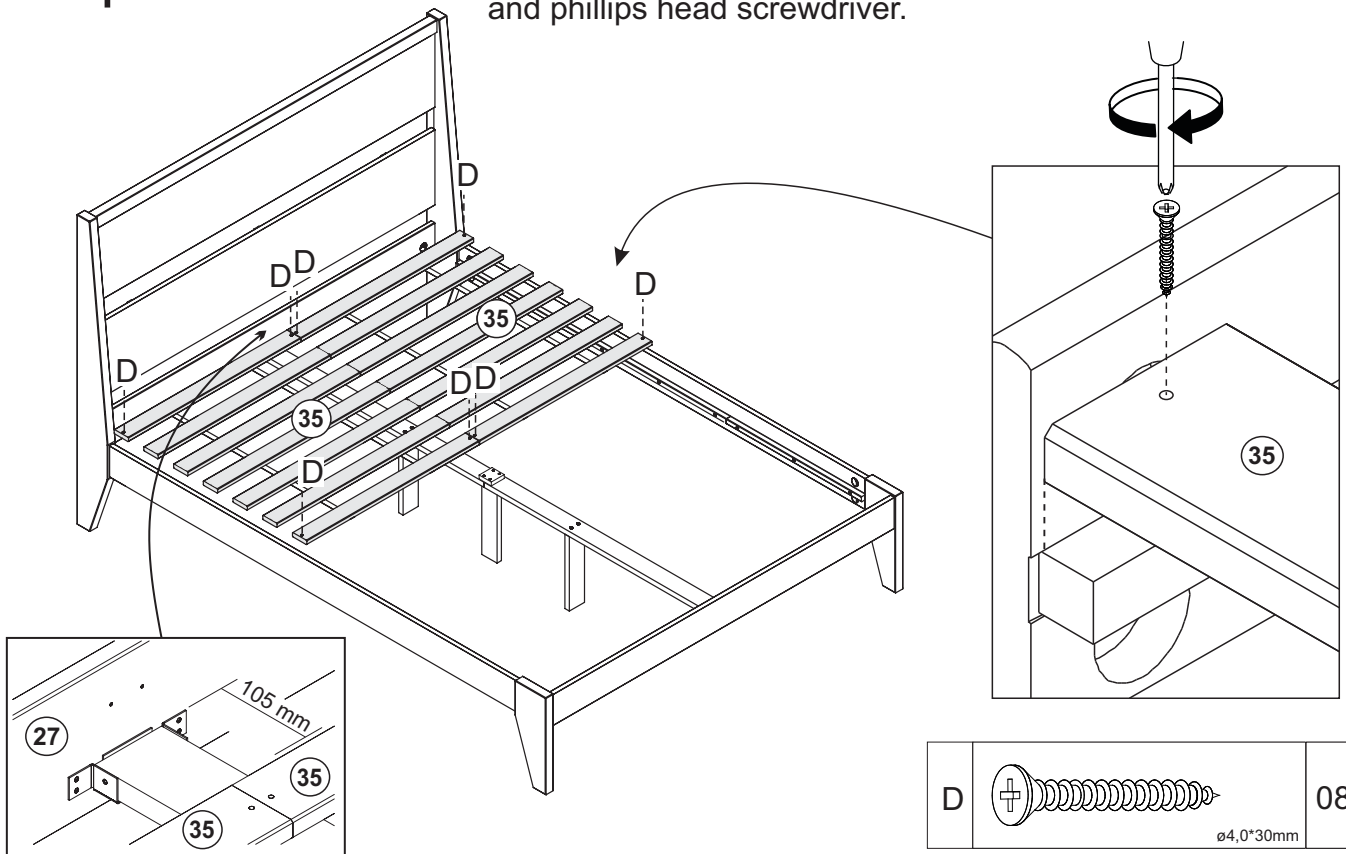
Use screw (B) and phillips head screwdriver to fix parts 31.




B		ø4,0*16mm	04
---	---	-----------	----

Step 17

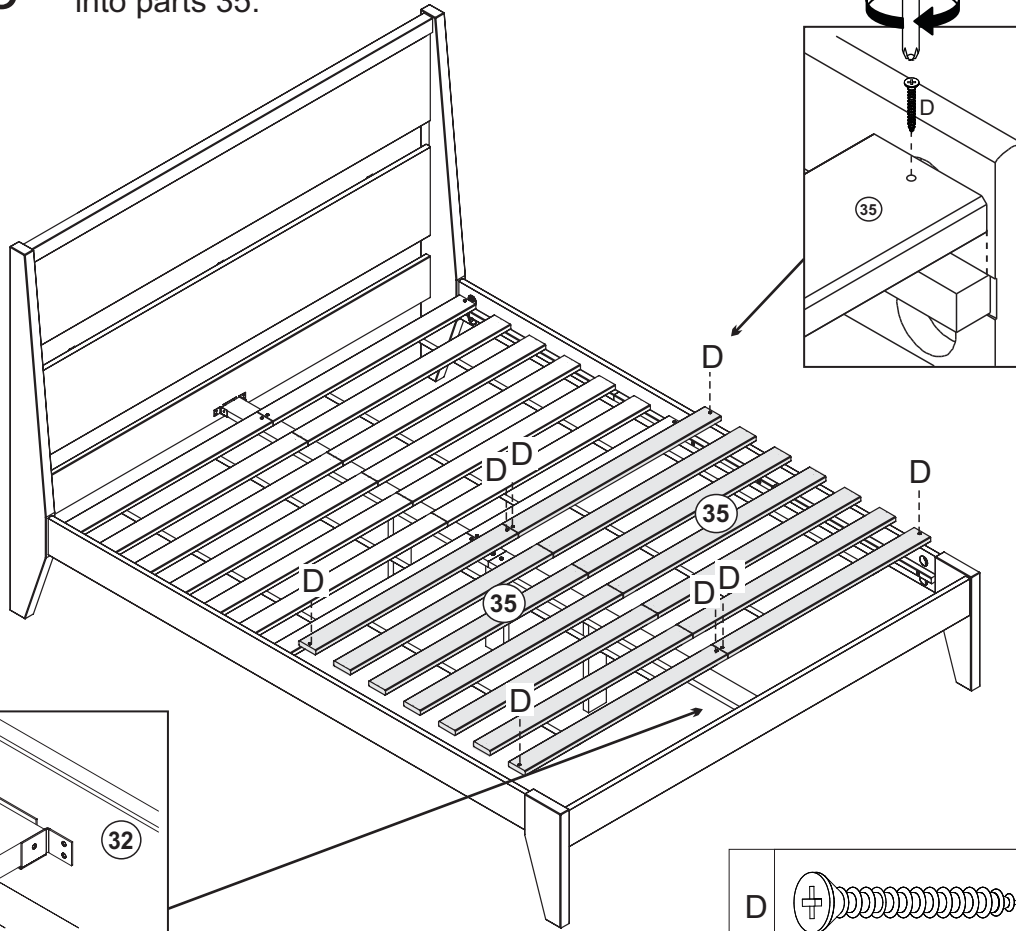
Attach part 35 to the parts 25 and 31. Use screw (D) and phillips head screwdriver.



D		ø4,0*30mm	08
---	---	-----------	----

Step 18

Use screw (D) and phillips head screwdriver into parts 35.



Step 19

Final assembly.

