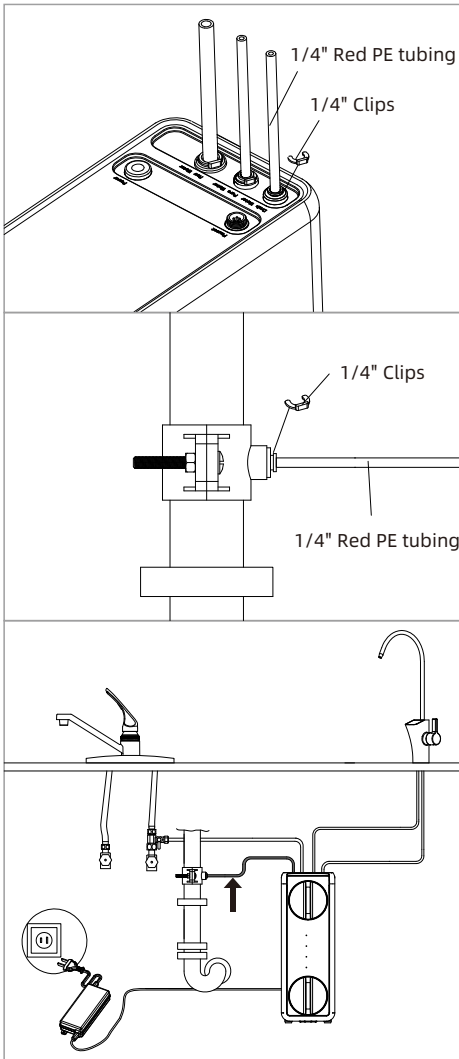


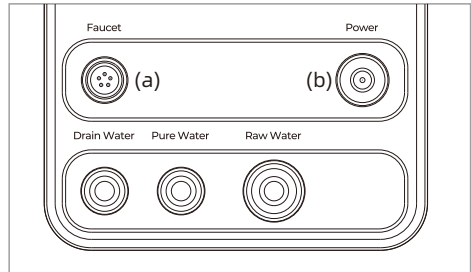
(d) Connect the Drain Water and the Drain Connector

Insert one end of the 1/4" Red PE tubing into the Drain Water hole. Use a 1/4" clip to secure the tubing.

Insert another end of the 1/4" Red PE tubing into the Drain connection. Secure the tubing with a 1/4" clip.



3.7 Connecting the Power Cord



(a) Connect the faucet power cord to the system

Insert the power cord attached to the faucet into the "FAUCET" connector at the top of the system and tighten the nut.

(b) Connect Power Adapter

Insert the DC head of the power adapter into the "POWER" port at the top of the system.



NOTICE

Please do not connect the power socket now.

4 Operation

4.1 Before the first-time use

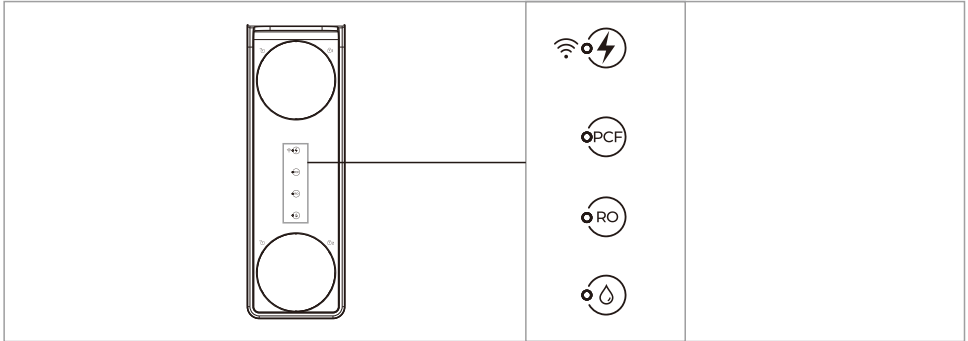
- (A) Turn on the cold water supply and ensure the supply adapter valve is open.
- (B) Connect the system with power. You will hear a long beep, and all indicators will light up for 3s. The system will automatically flush for 30s. Wipe all the joints and connections with tissue to check for leakage. If the tissue stays dry, the system is installed correctly.
- (C) After the auto-flush is completed, turn on the faucet to allow water to run for 30 minutes to flush the air and carbon fines through the filters. After that, the system is ready, and you can start to consume the pure water.







NOTICE

Initially, the water may appear cloudy. This is a result of air trapped in the RO filter. It is not harmful and will disappear in a matter of minutes. It may take up to a week after installing a new RO filter for the trapped air to dissipate.

4.2 User interface



Indicator	Indication	Status
 Wi-Fi indicator	Solid blue light	Wi-Fi Connected
	Flashing blue light	Wi-Fi Connecting
	Off	Wi-Fi Disconnected
 PCF lifetime indicator & Reset button	Solid blue light	Lifetime > 5%
	Flashing blue light	0 < Lifetime ≤ 5%
	Off	Lifetime = 0
 RO lifetime indicator & Reset button	Solid blue light	Lifetime > 5%
	Flashing blue light	0 < Lifetime ≤ 5%
	Off	Lifetime = 0
 Flush indicator & Flush button	Solid blue light	Power on
	Flashing blue light	Flush mode

A. Wi-Fi Button 

Press and hold the button for 5 seconds until you hear a beep. The indicator will start flashing blue. Once the system is successfully connected, the indicator will turn solid blue. If the connection fails, the indicator will turn off after 3 minutes.

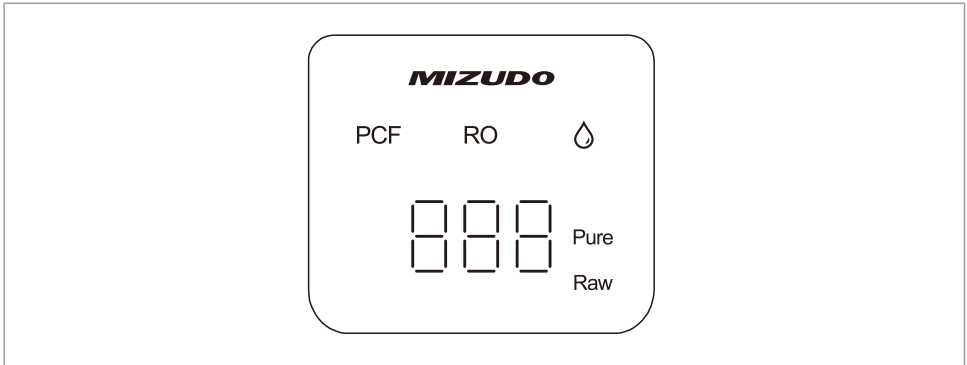
B. Reset Button 



To reset the filter lifespan, press and hold the reset button for 3 seconds until you hear a beep. The indicator will flash blue, confirming that the filter lifespan has been reset.

C. Flush Button 

To flush the system, press and hold the flush button for 3 seconds until you hear a beep. The system will then enter flush mode for 30 seconds.

RO Faucet Indicator



Indicator	Indication	Status
	Solid white light	Power on
	Flashing white light	Flush mode
	Flashing red light	Malfunction
	Off	Power off/Standby Mode
PCF RO	Solid white light	Filter lifespan > 5%
	Flashing red light	0 < Filter lifespan ≤ 5%
	Solid red light	Filter lifespan = 0
	Off	Power off / Standby mode
	Flashing white light (every 3s)	Pure/Raw water TDS values
	Off	Power off / Standby mode



NOTICE

The faucet screen alternately displays the TDS values for Raw Water and Pure Water every 3 seconds, allowing users to easily monitor water quality in real-time.