

Riverby® | K-5872-5UPC

25" undermount single-bowl workstation kitchen sink

Features

- 27" (686 mm) minimum base cabinet width
- Single bowl
- 9" (229 mm) depth provides generous workspace
- Five oversized faucet holes
- Oversized holes allow for easy installation of faucets and accessories
- Bowl slopes toward drain to minimize water pooling
- Offset drain increases workspace in the sink and storage space underneath
- Small size fits compact spaces
- Included accessories: cutting board, drain board, colander / drying rack, soaking bin with drain, stainless steel bottom sink rack
- Drain board, colander / drying rack, soaking bin with drain, and bottom sink rack are dishwasher safe
- Sink drain with strainer sold separately



Sustainability



Available Colors/Finishes

Color tiles intended for reference only.

- | | |
|-----|--------------|
| 0 | White |
| FF | Sea Salt |
| 96 | Biscuit |
| NY | Dune |
| 95 | Ice Grey |
| 58 | Thunder Grey |
| 7 | Black Black |
| TRF | Truffle |
| 17 | Teal |
| 34 | Fresh Green |
| 42 | Aspen Green |



Codes/Standards

ASME A112.19.1/CSA B45.2

Technical Information

All product dimensions are nominal.

Number of Deck Holes:	5
Faucet Hole(s) Size:	2-3/8" (60 mm)
Center(s):	8" (203 mm)
Drain Hole Diameter:	3-7/8" (98 mm)
Minimum Base Cabinet Width:	27" (686 mm)
Basin Configuration:	Single Bowl
Basin Length:	22-1/4" (565 mm)
Basin Width:	15-13/16" (402 mm)
Basin Depth:	9" (229 mm)

Material

- KOHLER® enameled cast iron

Recommended Products/Accessories

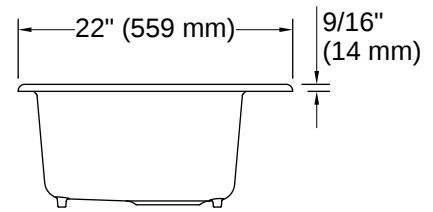
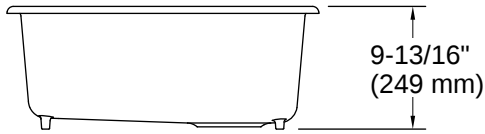
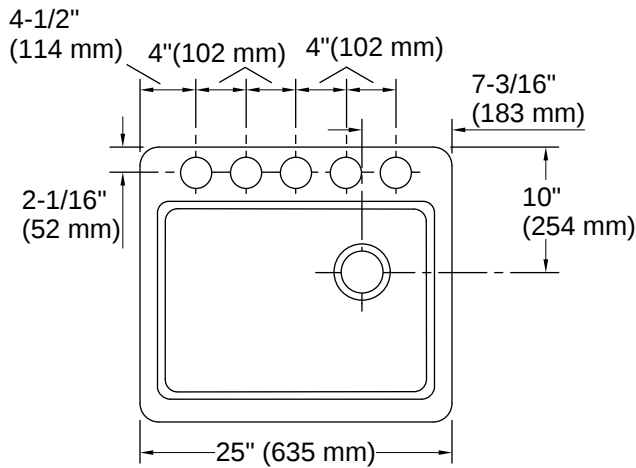
- K-6238 Sink rack
- K-6194 Utility rack with soaking cup
- K-9000 Adjustable P-trap with tubing outlet, 1-1/2" x 1-1/2"
- K-23726 Drain treatment
- K-23725 Cast iron cleaner
- K-35007 Bifold multipurpose rack
- K-35002 Ice bucket holder
- K-35003 Workstation sink cover
- K-35004 HDPE cutting board
- K-35005 Marble serving tray
- K-35487 Three-piece ice bucket set
- K-35484 Three-piece workstation prep bowl set

Warranty

See website for detailed warranty information.

KOHLER® Enameled Cast Iron Kitchen and Bathroom Sink Lifetime Limited Warranty





Installation

- Undermount

Installation Notes

Install this product according to the installation instructions.

NOTICE: Countertop manufacturer or cutter must use the cut-out template provided with the product, or a current one provided by Kohler Co. (call 1-800-4KOHLER). Kohler Co. is not responsible for cutout errors when the incorrect cut-out template is used

