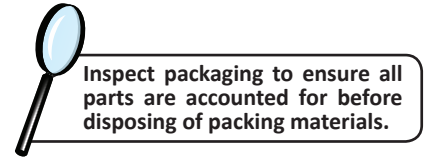
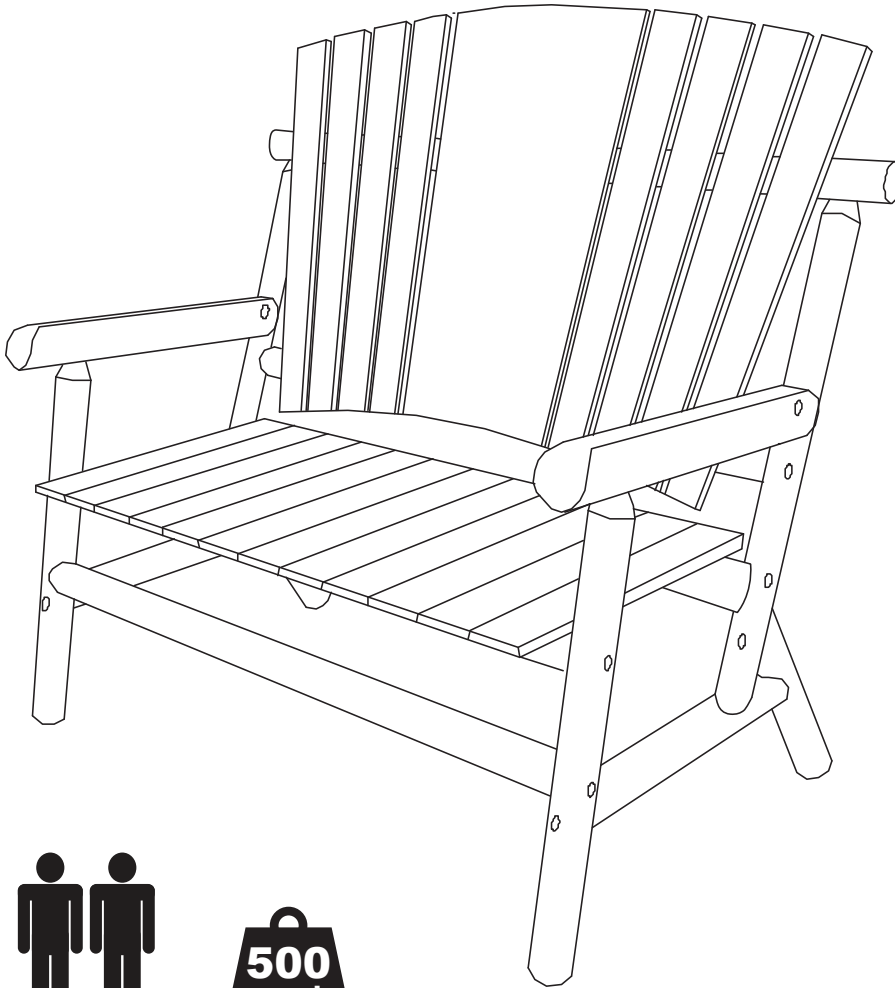


RUSTIC WOOD BENCH

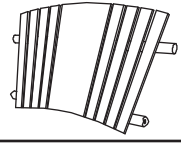
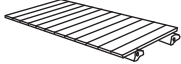

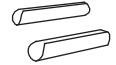
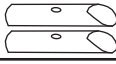

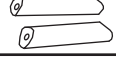


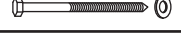

IEO-519

Read all assembly and care instructions carefully before using this product. Save this manual for future reference.
Assemble components on a soft, clean surface to avoid scratching or damaging the finish.



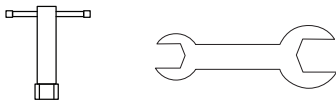
NOTE: Wood is a natural product. Checking (cracks that run the length of a log) is a normal feature of log furniture and is not a structural problem. Checking is part of what gives wood furniture a true rustic appearance.



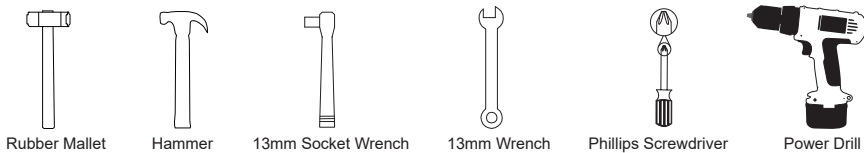
No.	PARTS	QTY.
A	 Back Panel	1
B	 Seat Panel	1
C	 Backrest Beams (L/R)	2
D	 Arms (L/R)	2
E	 Back Legs (L/R)	2
F	 Front Legs (L/R)	2
G	 Leg Braces (L/R)	2
H	 Front Beam	1
I	 M8 x 120mm Bolt Set	2
J	 M8 x 130mm Bolt Set	16
K	 M4 x 40mm Screw	6

TOOLS

INCLUDED:



RECOMMENDED (NOT INCLUDED):



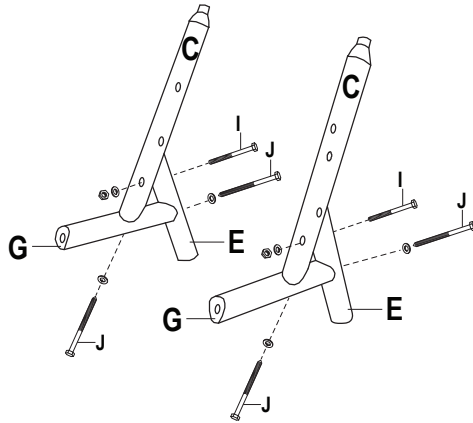
⚠ WARNING ⚠

CHOKING HAZARD — This item contains small parts that can be swallowed. Keep children and pets away during assembly.

ASSEMBLY

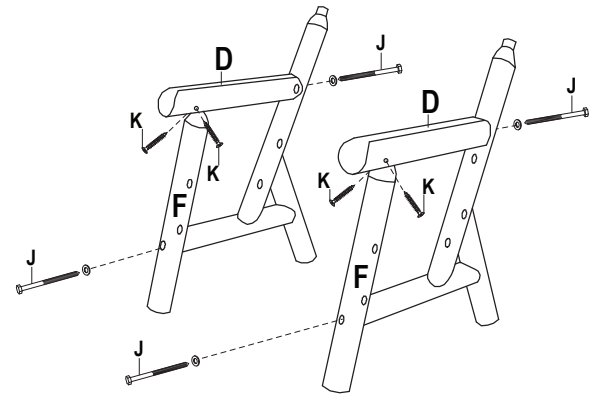
STEP 1

C: 2
E: 2
G: 2
J: 4
I: 2



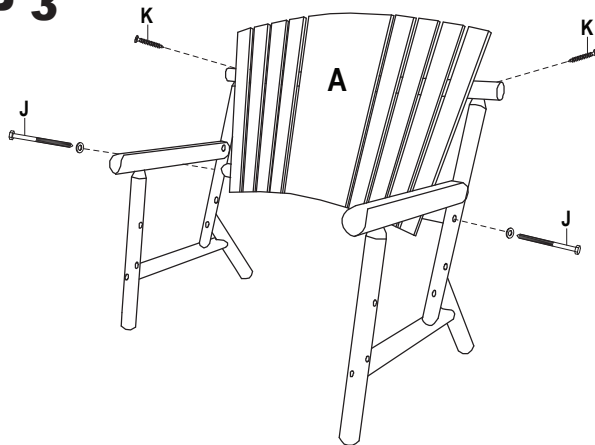
STEP 2

D: 2
F: 2
J: 4
K: 4



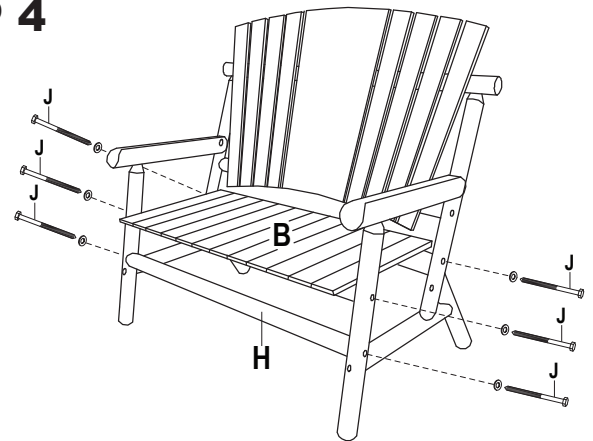
STEP 3

A: 1
K: 2
J: 2



STEP 4

B: 1
H: 1
J: 6



General Use & Care

SAFE USE: For residential use only. Only use on a flat, level surface.

MOVING: Always lift furniture when moving it around, never drag it.

INSPECT: Periodically check hardware and tighten as necessary.

EXPOSURE: Over time, sunlight and weather elements may degrade and change the color of natural wood. Avoid leaving wooden furniture in the rain or high-humidity climates; wood expands and contracts with moisture and humidity changes. If this item is not used for extended periods, cover it with a breathable cover or store it indoors.

WINTER CARE & STORAGE: Protect this item from inclement weather, especially ice and snow. Move it to an indoor location that is cool and dry. Covering while in storage is recommended to help prevent dust build-up.

CLEANING: Wipe dust and debris using a soft, dry cloth. Surface mildew can be washed away using a very mild solution of soap and water and a soft cloth.

! SAFETY STATEMENTS & WARNINGS !

- For residential use only. Not intended for commercial or industrial use.
- Do not exceed the weight capacity of the furniture.
- Never use a pressure washer, harsh chemicals or abrasive materials to clean this unit.

Any modification to the product or failure to follow recommended care will void the product warranty.

! WARNING:

Manufacturer and seller expressly disclaim any and all liability from personal injury, property damage or loss, whether direct or indirect, or incidental, resulting from the incorrect attachment, improper use, inadequate maintenance, or neglect of this product.