

RVA1320BWC

Dish Soaking Tub

RUVATI[®]
SPECIFICATION SHEET

Material: Stainless Steel / Solid Composite

Size: 17-1/4" (length) x 11" (width) x 6" (deep)

Compatible with Single Tier LedgeFit Ruvati sinks

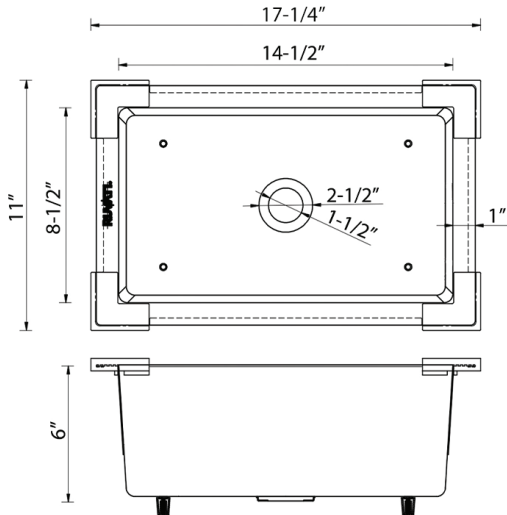



Care Instructions:

- Hand wash with warm water and mild dish soap.
- Dry thoroughly after washing.

Purpose:

- Ideal for soaking dishes, utensils, and more, making cleanup simple and efficient.
- Converts a single-bowl sink into a double-bowl setup when placed on the ledge for added flexibility and convenience.
- Durable, non-slip feet securely rest on countertops or workstation ledges to prevent slipping and ensure stability.



 California Prop 65 Warning:
Cancer and Reproductive Harm



X004P2016X

RUVATI USA

WWW.RUVATI.COM

PHONE: 1.855.478.8284
EMAIL: SUPPORT@RUVATI.COM

SCAN TO REGISTER
YOUR WARRANTY



www.ruvati.com/register