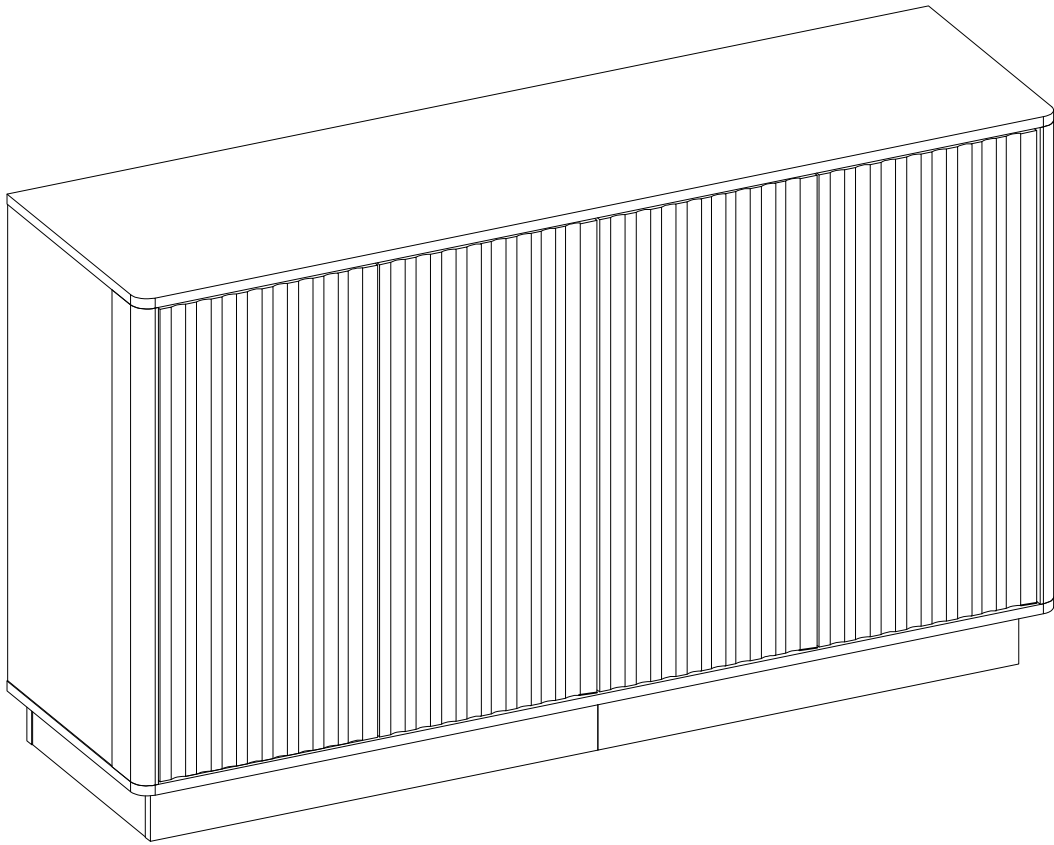
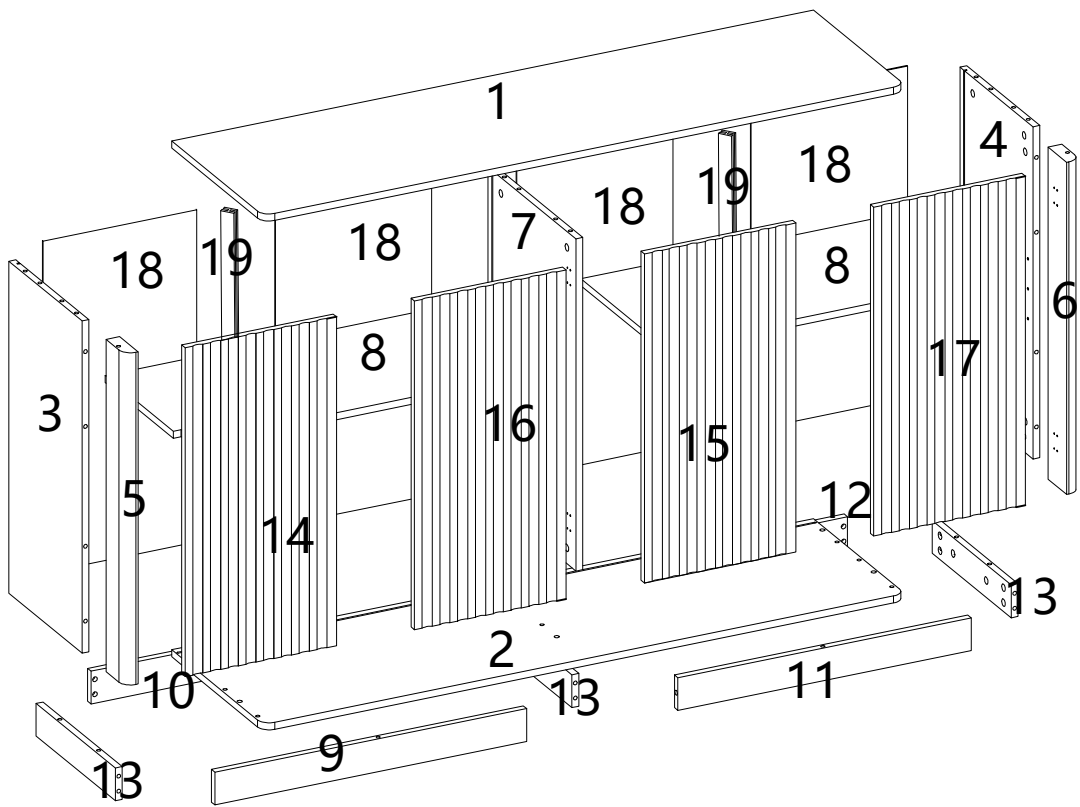


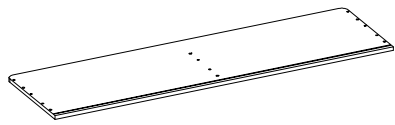
DS-SB023H/B





<p>A</p> <p>A1 A2</p> <p>40PCS</p>	<p>B</p> <p>20PCS</p>	<p>C</p> <p>M3.5*12mm 72PCS</p>	<p>D</p> <p>4PCS</p>	<p>E</p> <p>4PCS</p>	<p>F</p> <p>4PCS</p>	<p>G</p> <p>8PCS</p>
<p>H</p> <p>16PCS</p>	<p>I</p> <p>I1 I2 I4 I1 I3 I5</p> <p>2PCS</p>	<p>J</p> <p>10PCS</p>	<p>K</p> <p>40PCS</p>			

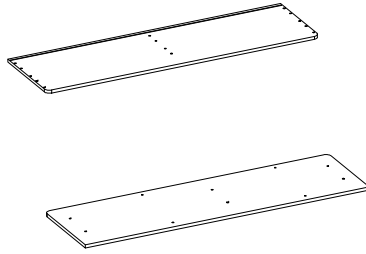
1



1400*400*15mm 1PC

2

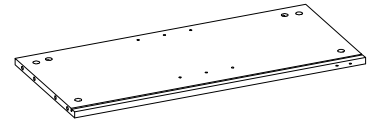
the other side



one side

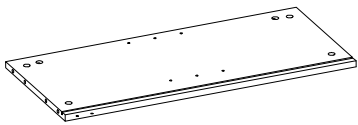
1400*400*15mm 1PC

3



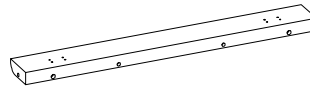
710*319*15mm 1PC

4



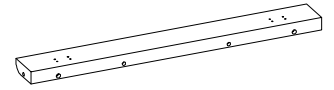
710*319*15mm 1PC

5



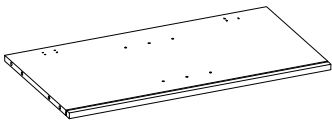
710*80*30mm 1PC

6



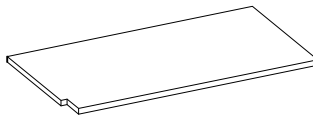
710*80*30mm 1PC

7



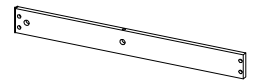
710*383*15mm 1PC

8



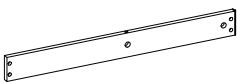
675*360*12mm 2PCS

9



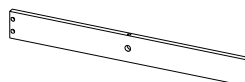
640*70*15mm 1PC

10



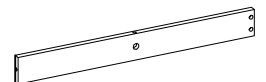
640*70*15mm 1PC

11



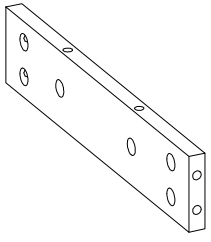
640*70*15mm 1PC

12



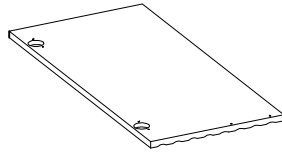
640*70*15mm 1PC

13



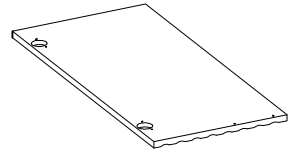
330*70*15mm 3PCS

14



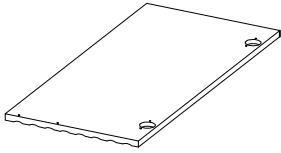
703*330.5*15mm 1PC

15



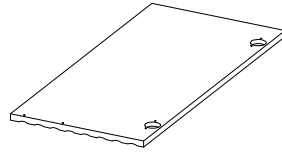
703*330.5*15mm 1PC

16



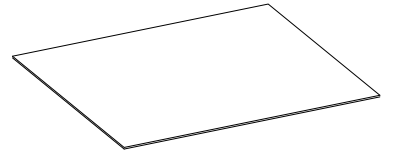
703*330.5*15mm 1PC

17



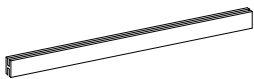
703*330.5*15mm 1PC

18



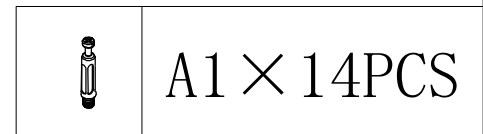
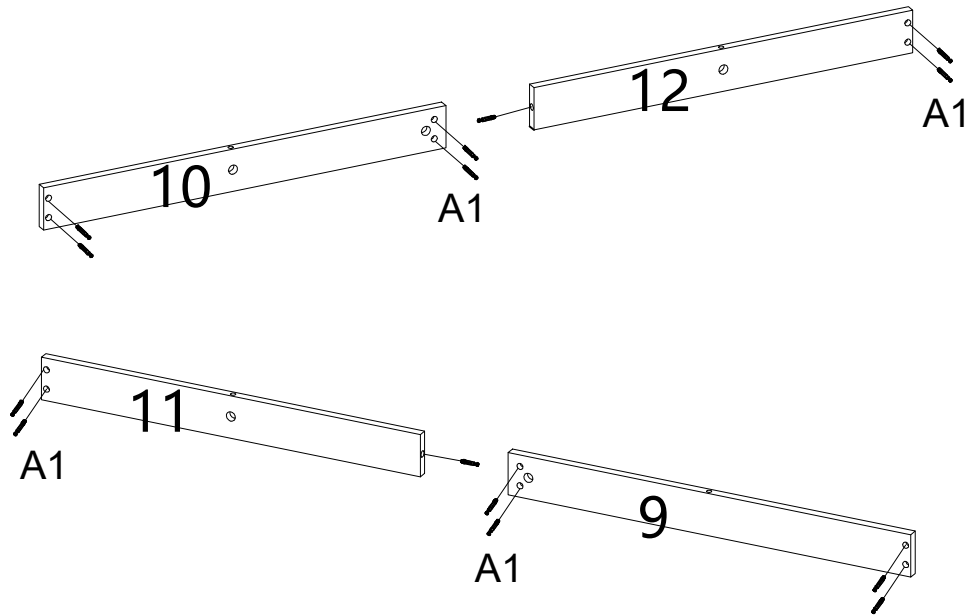
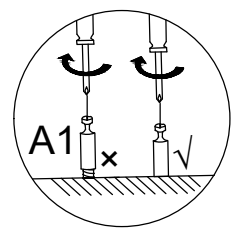
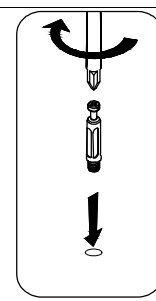
720*341.7*3mm 4PCS

19

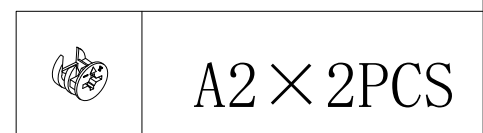
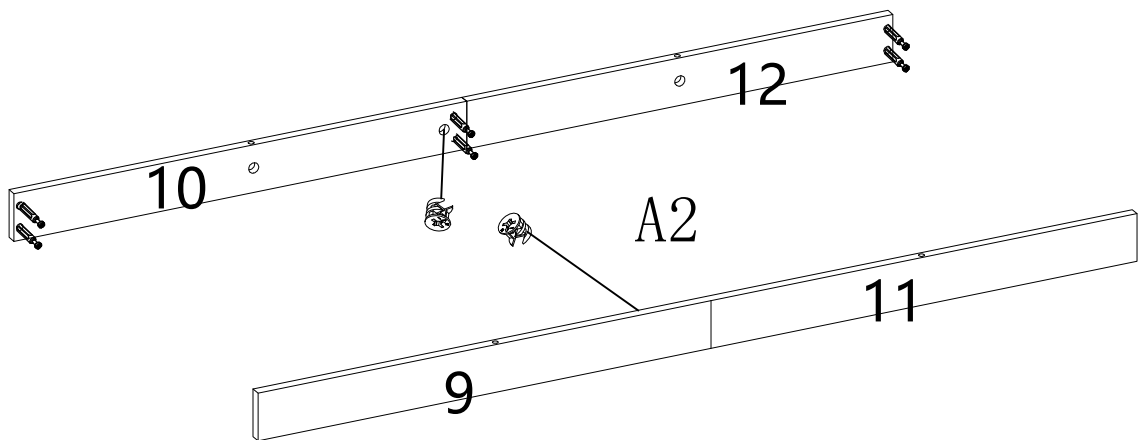


2PCS

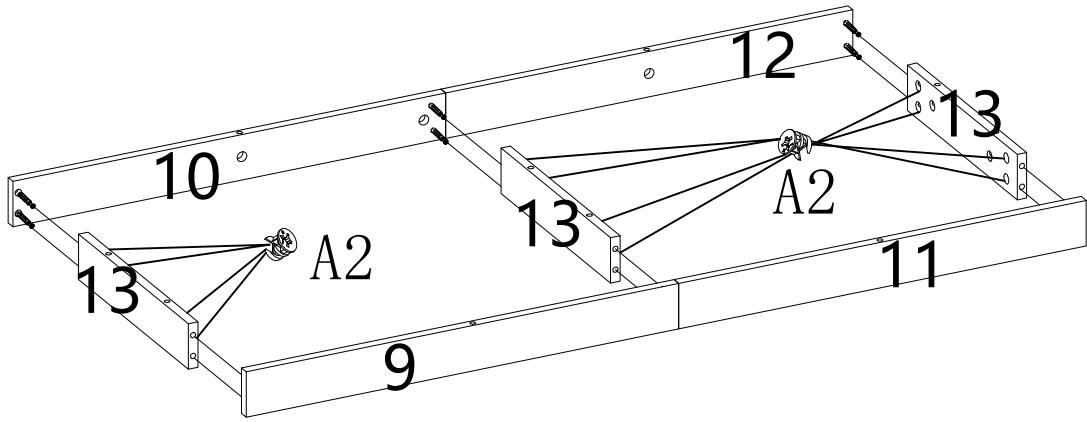
STEP 1



STEP 2

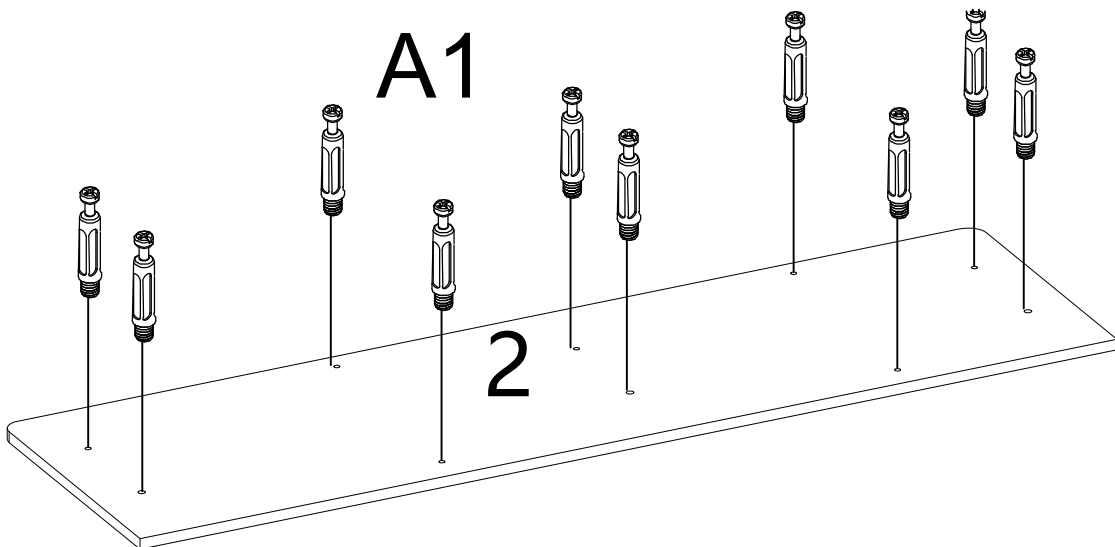
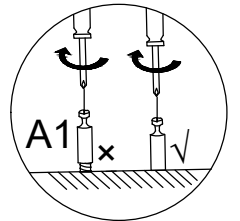
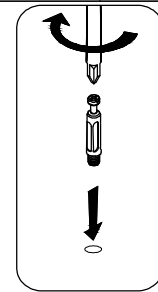


STEP 3



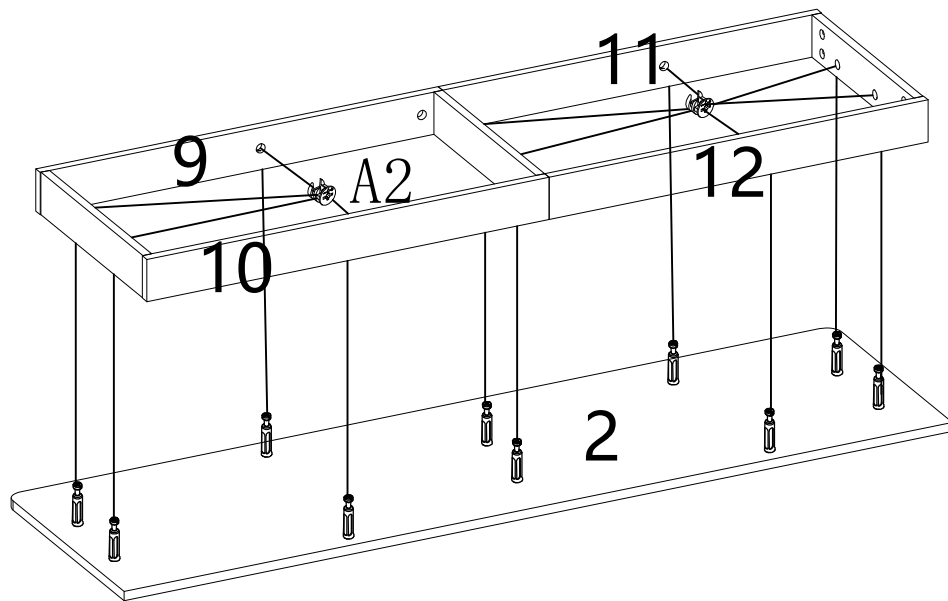
A2 × 12PCS

STEP 4



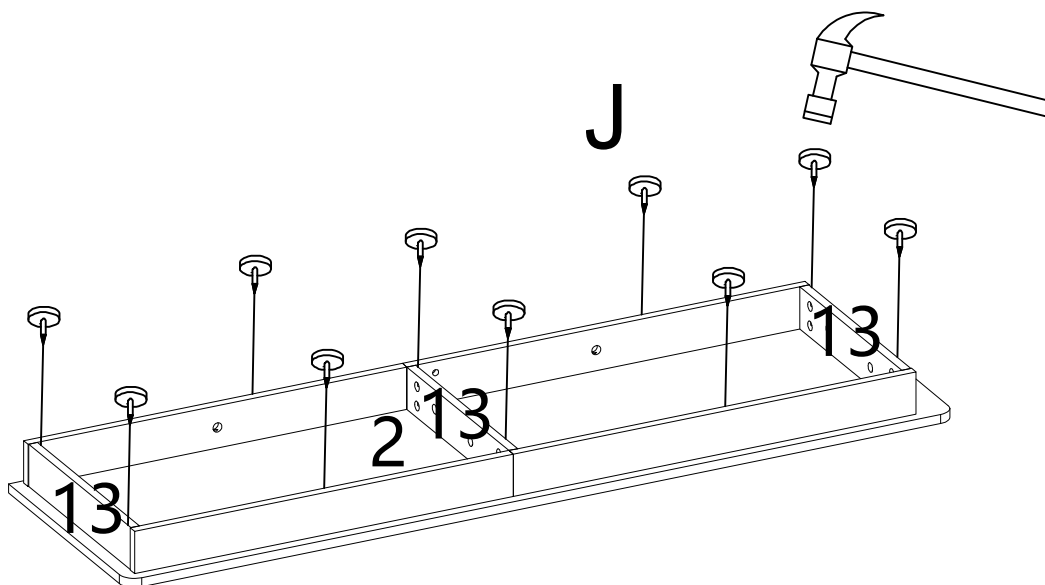
A1 × 10PCS

STEP 5



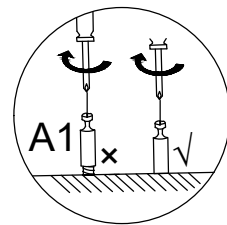
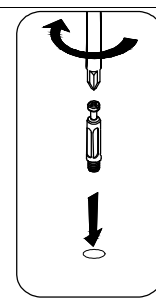
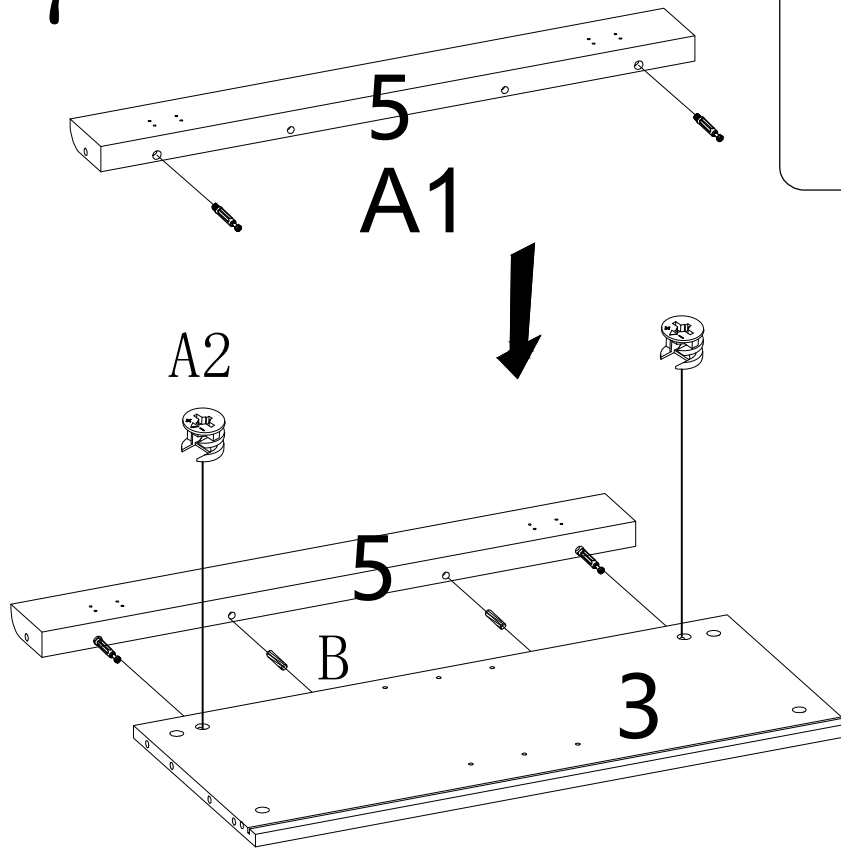
A2 × 10PCS


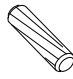

STEP 6



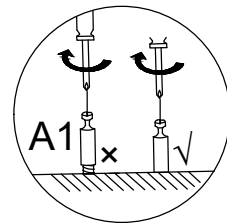
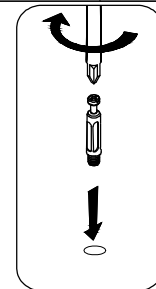
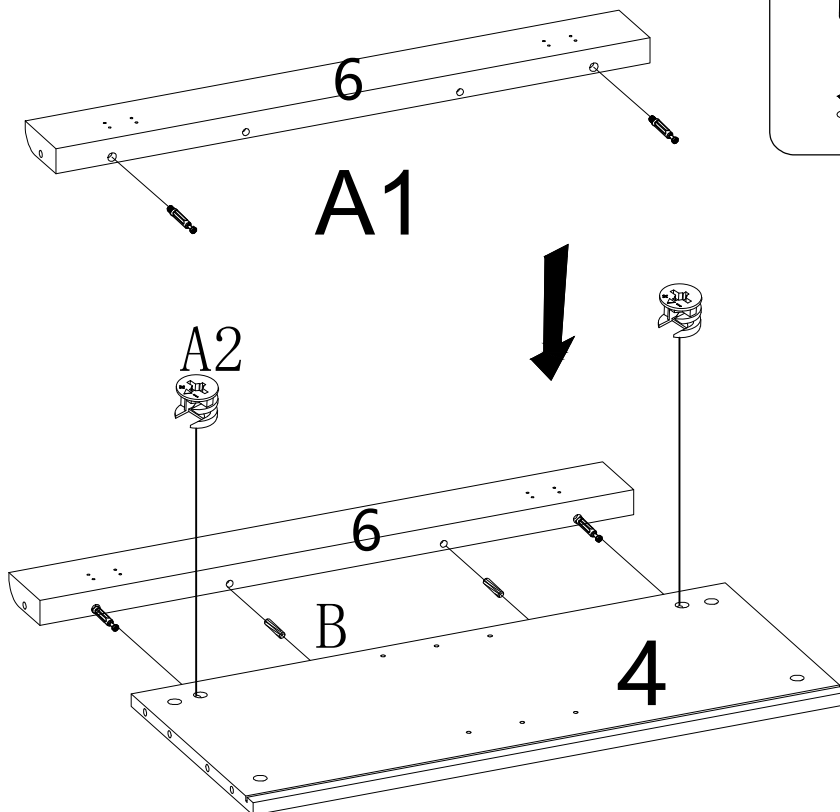
J × 10PCS


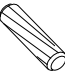

STEP 7



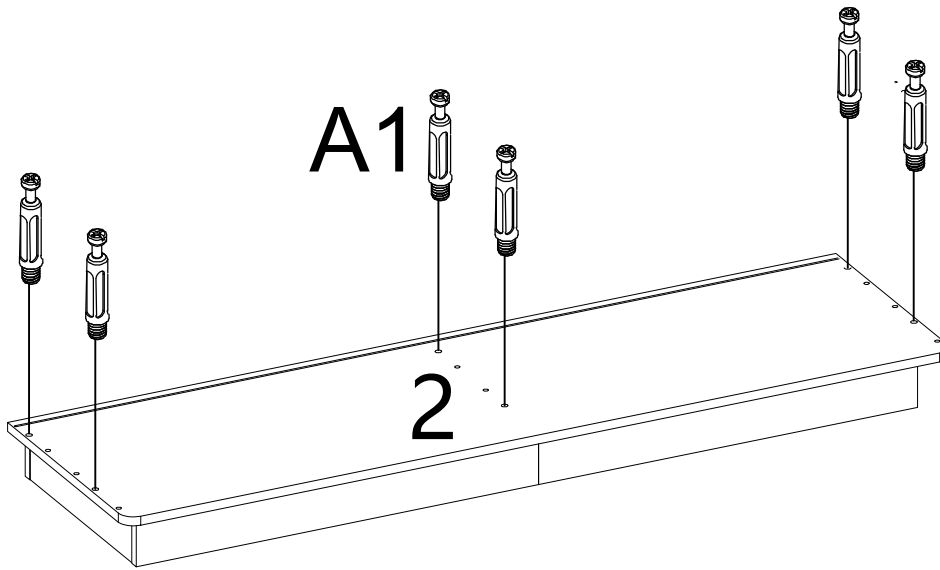
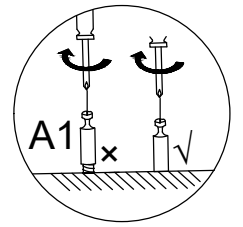
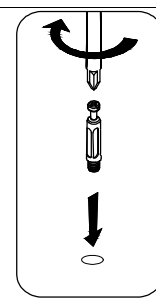
	A1 × 2PCS		B × 2PCS		A2 × 2PCS
---	-----------	---	----------	---	-----------


STEP 8



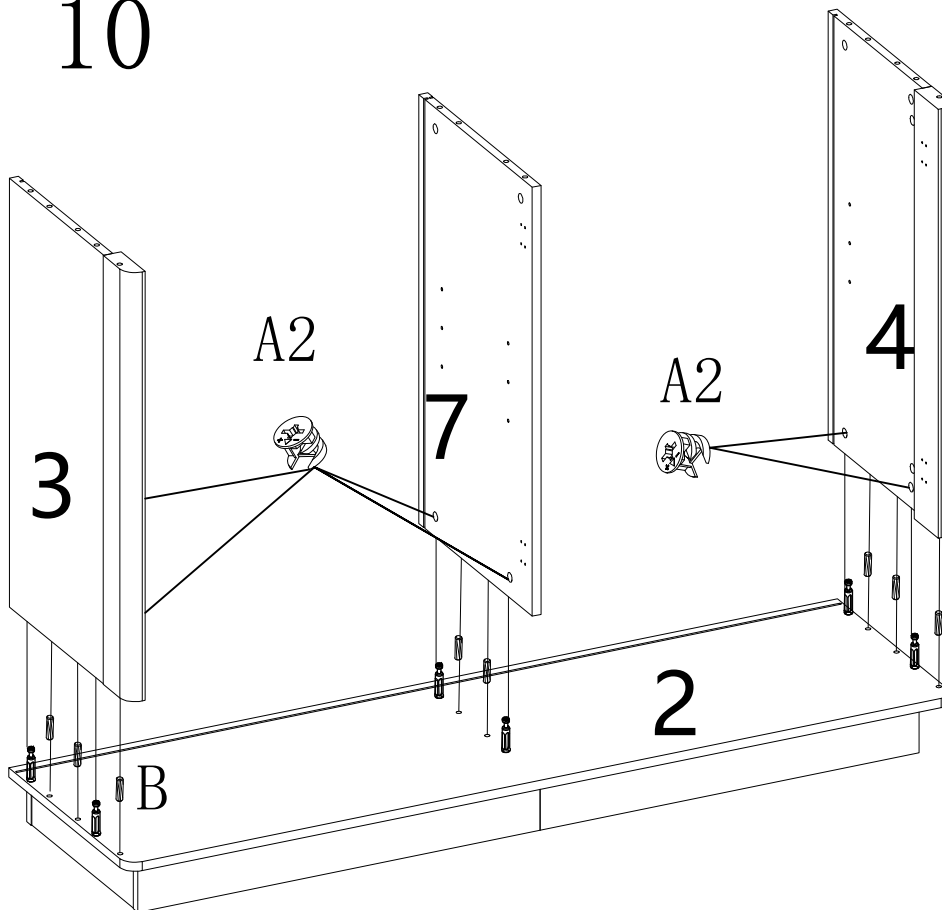
	A1 × 2PCS		B × 2PCS		A2 × 2PCS
---	-----------	---	----------	---	-----------

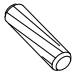

STEP 9



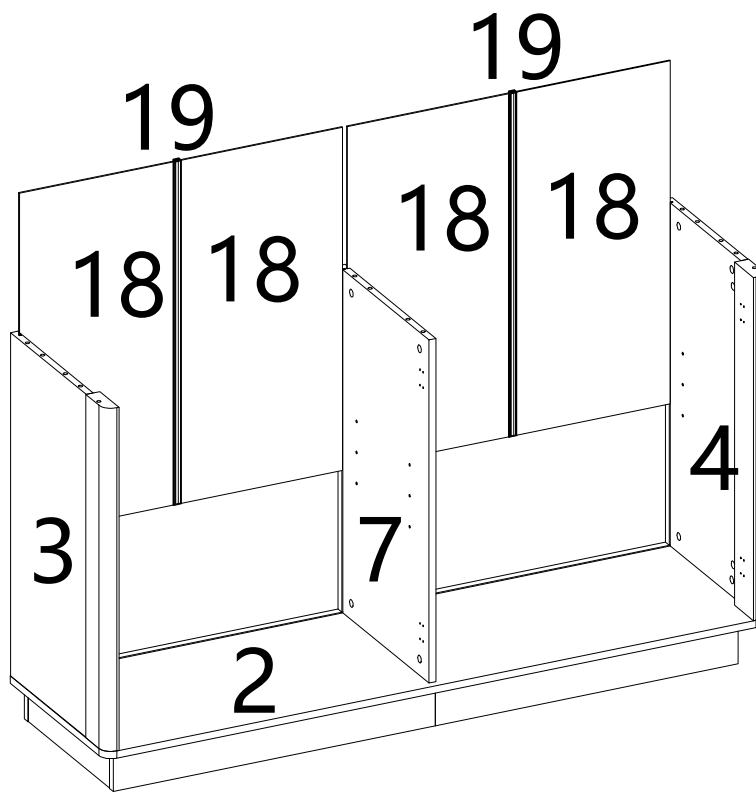
	A1 × 6PCS
---	-----------

STEP 10

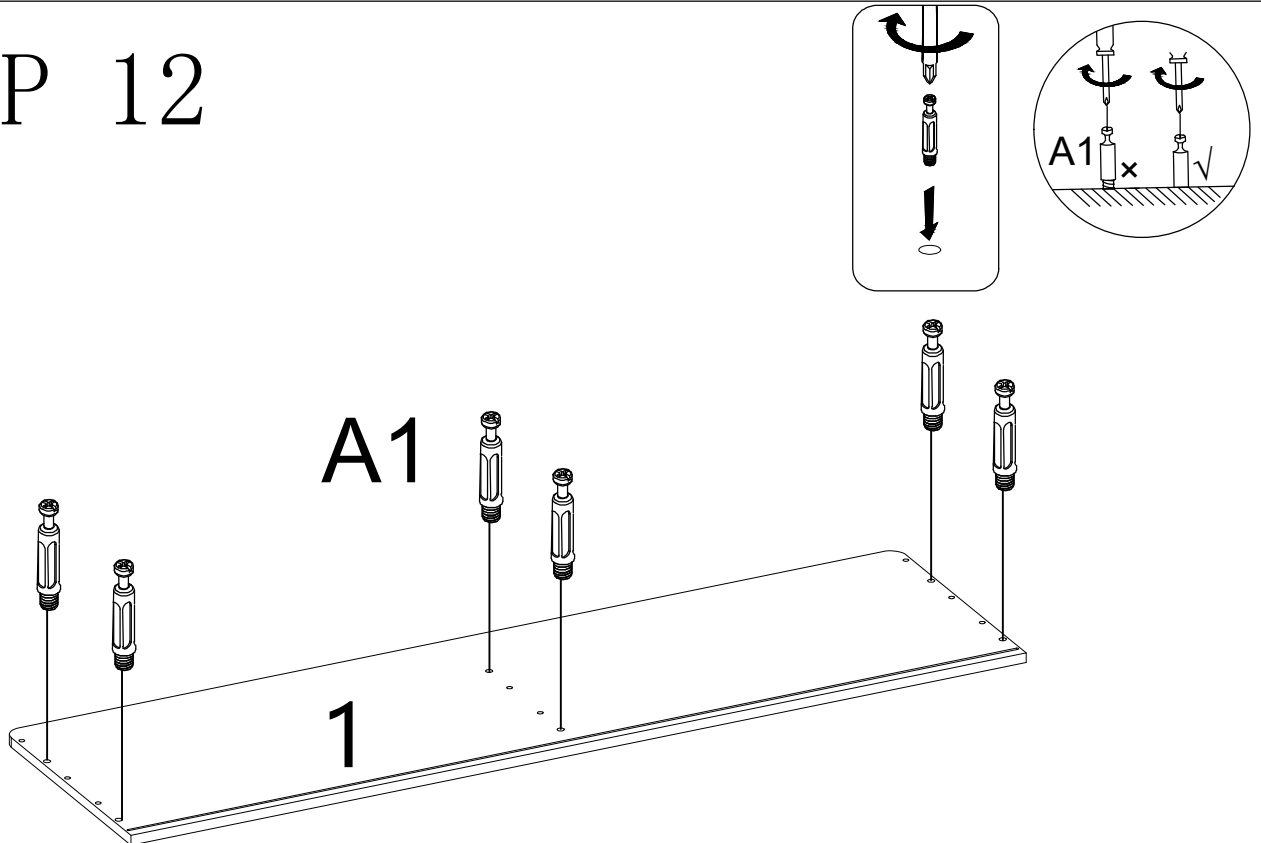


	B × 8PCS		A2 × 6PCS
---	----------	---	-----------

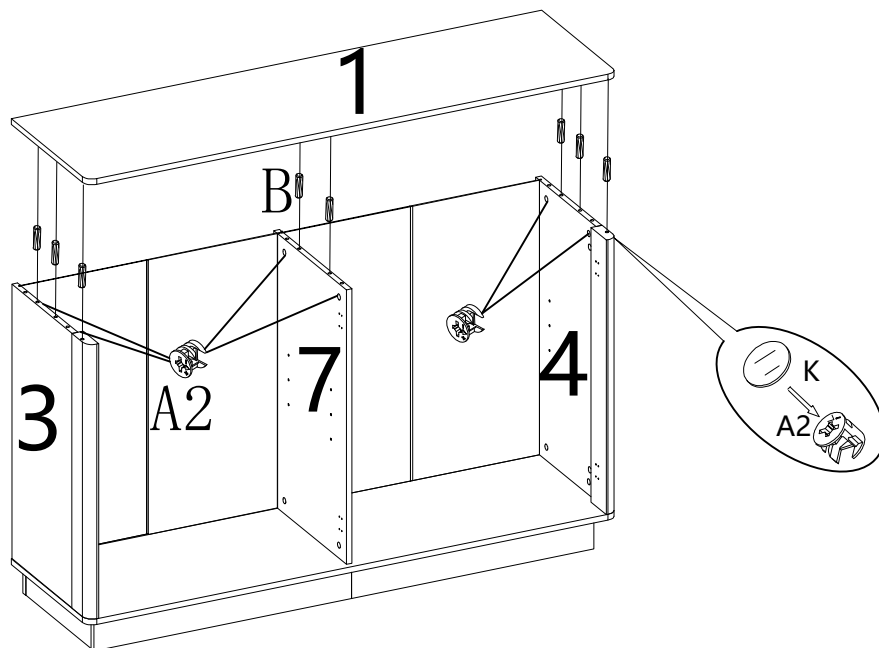
STEP 11


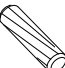



STEP 12

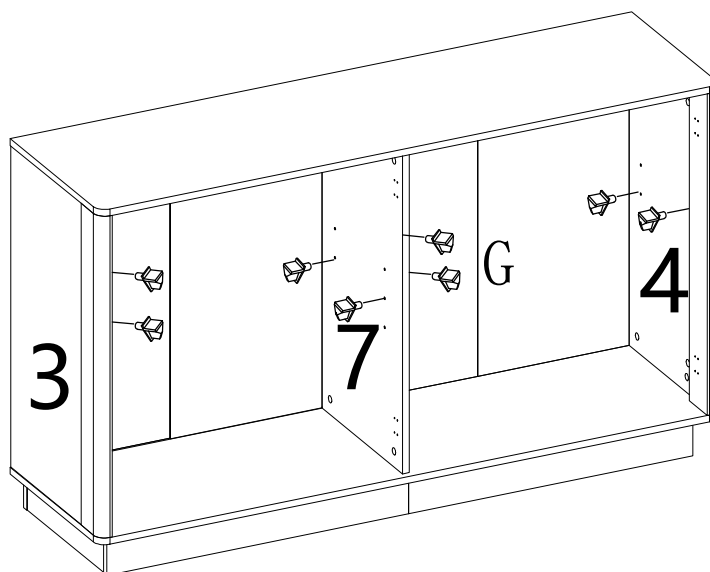


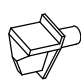
STEP 13



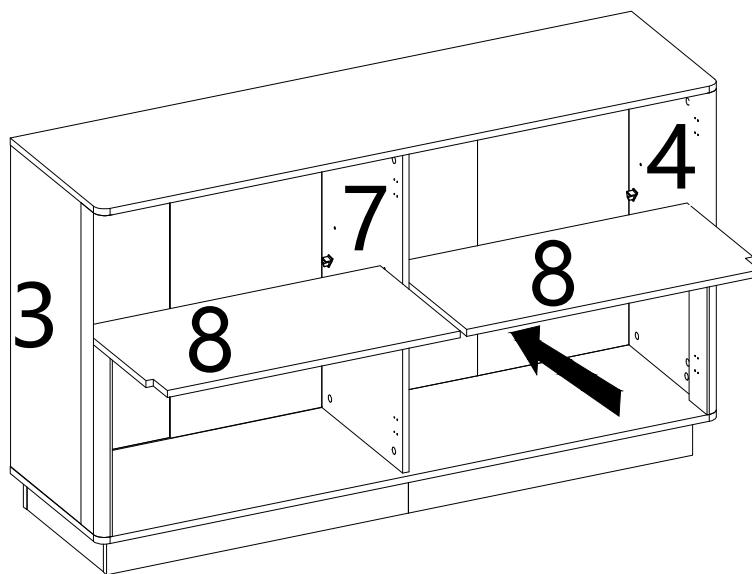
	K × 40PCS		B × 8PCS		A2 × 6PCS
---	-----------	---	----------	---	-----------

STEP 14

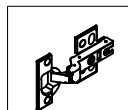
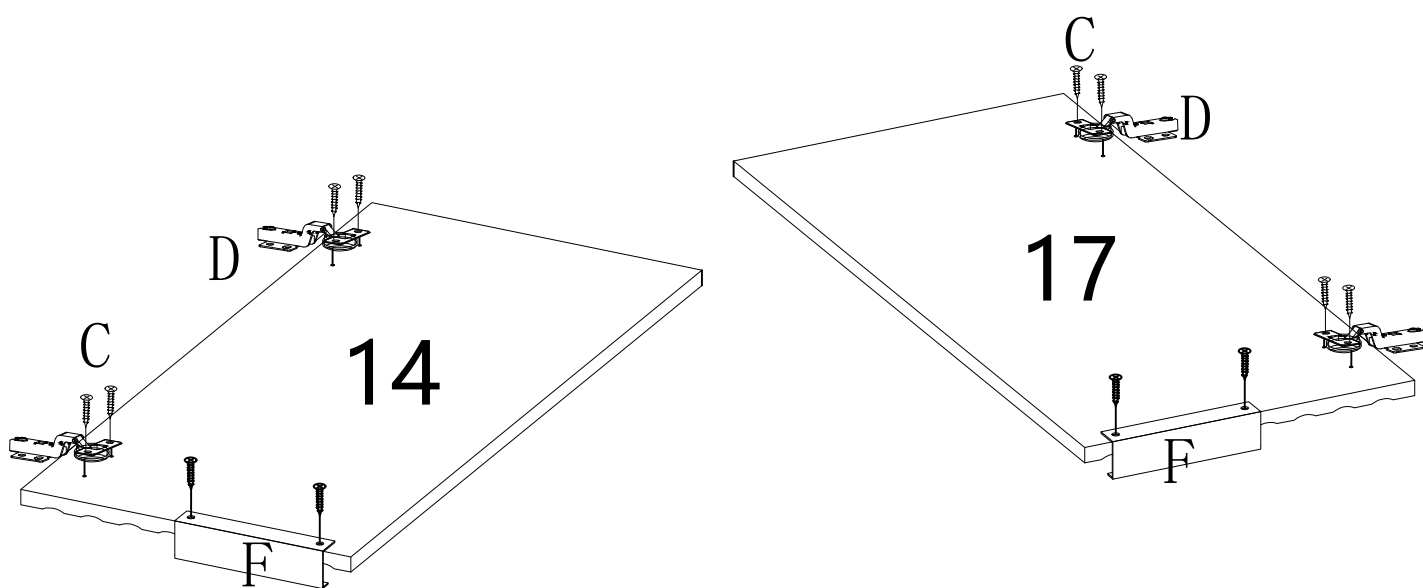


	G × 8PCS
---	----------

STEP 15



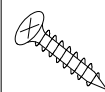
STEP 16



D × 4PCS

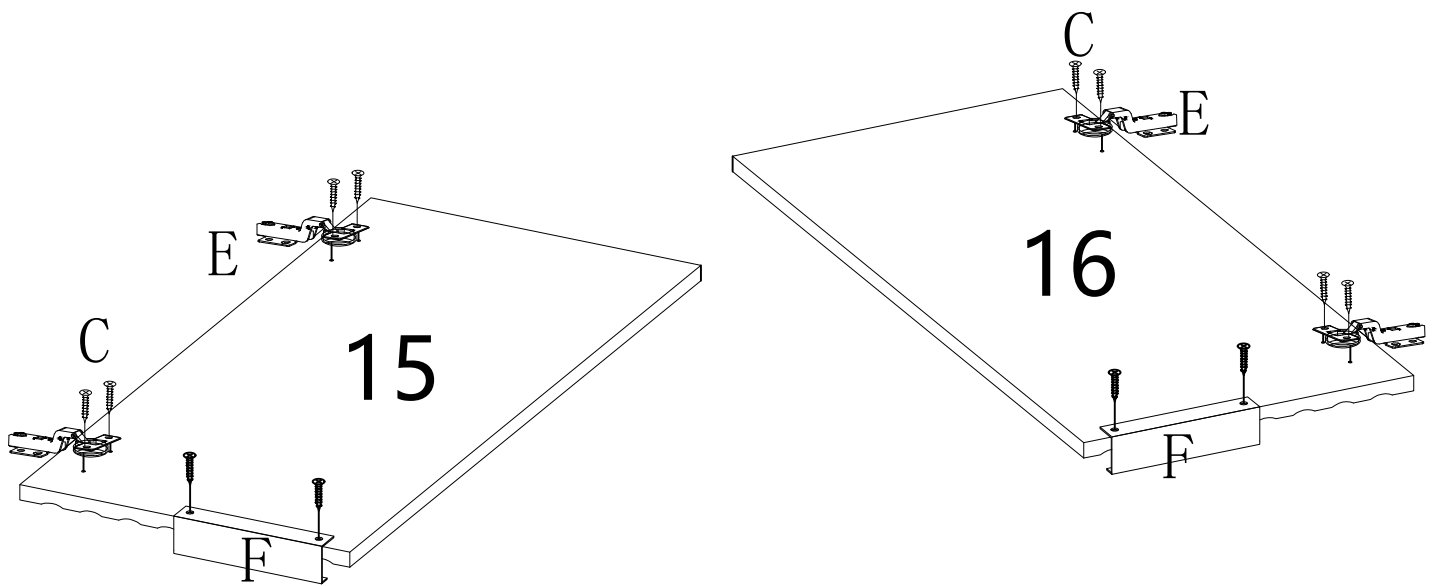




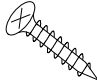
F × 2PCS



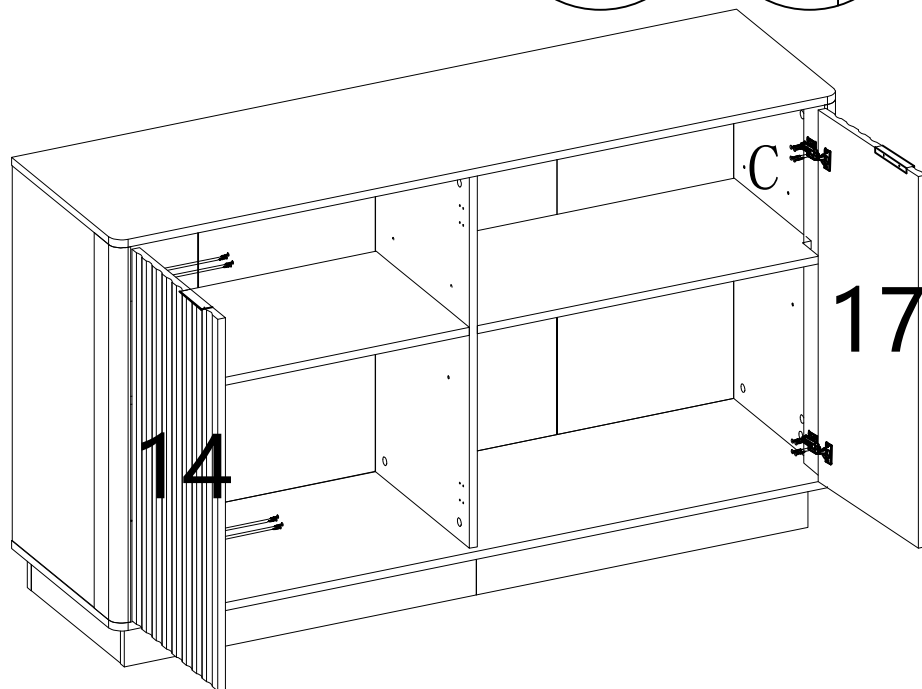
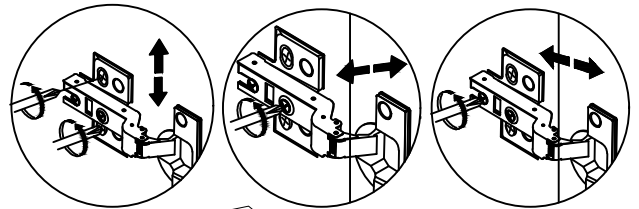
C × 12PCS

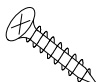
STEP 17



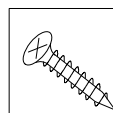
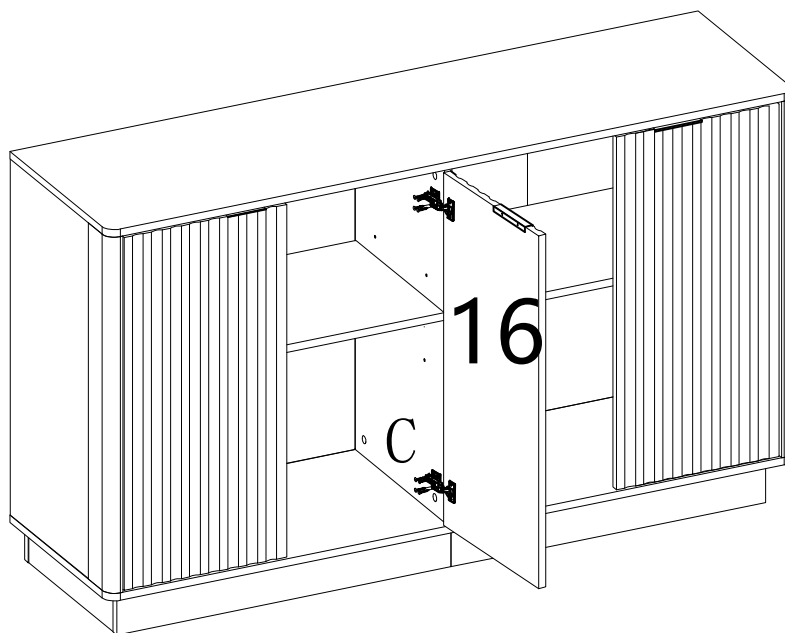
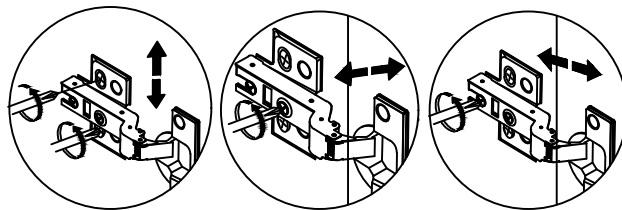
	E × 4PCS		F × 2PCS		C × 12PCS
---	----------	---	----------	---	-----------

STEP 18



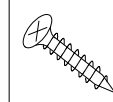
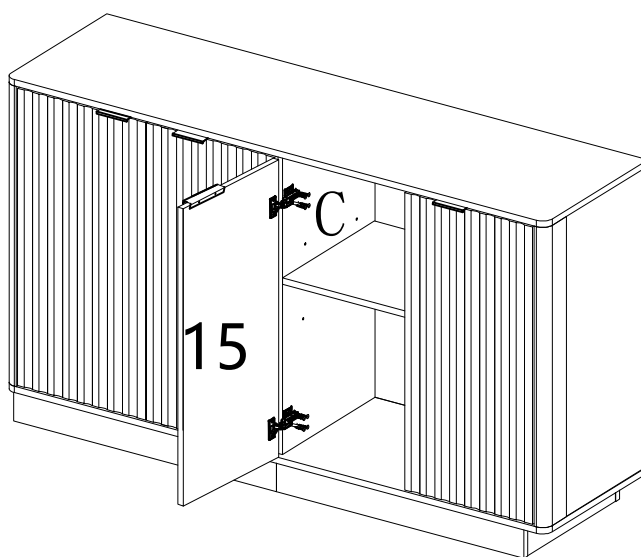
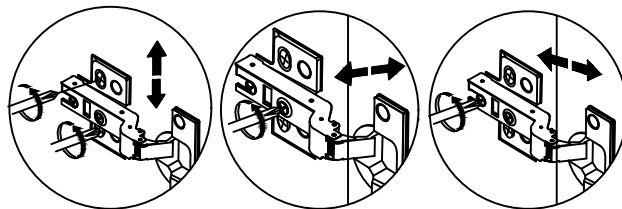
	C × 16PCS
---	-----------

STEP 19



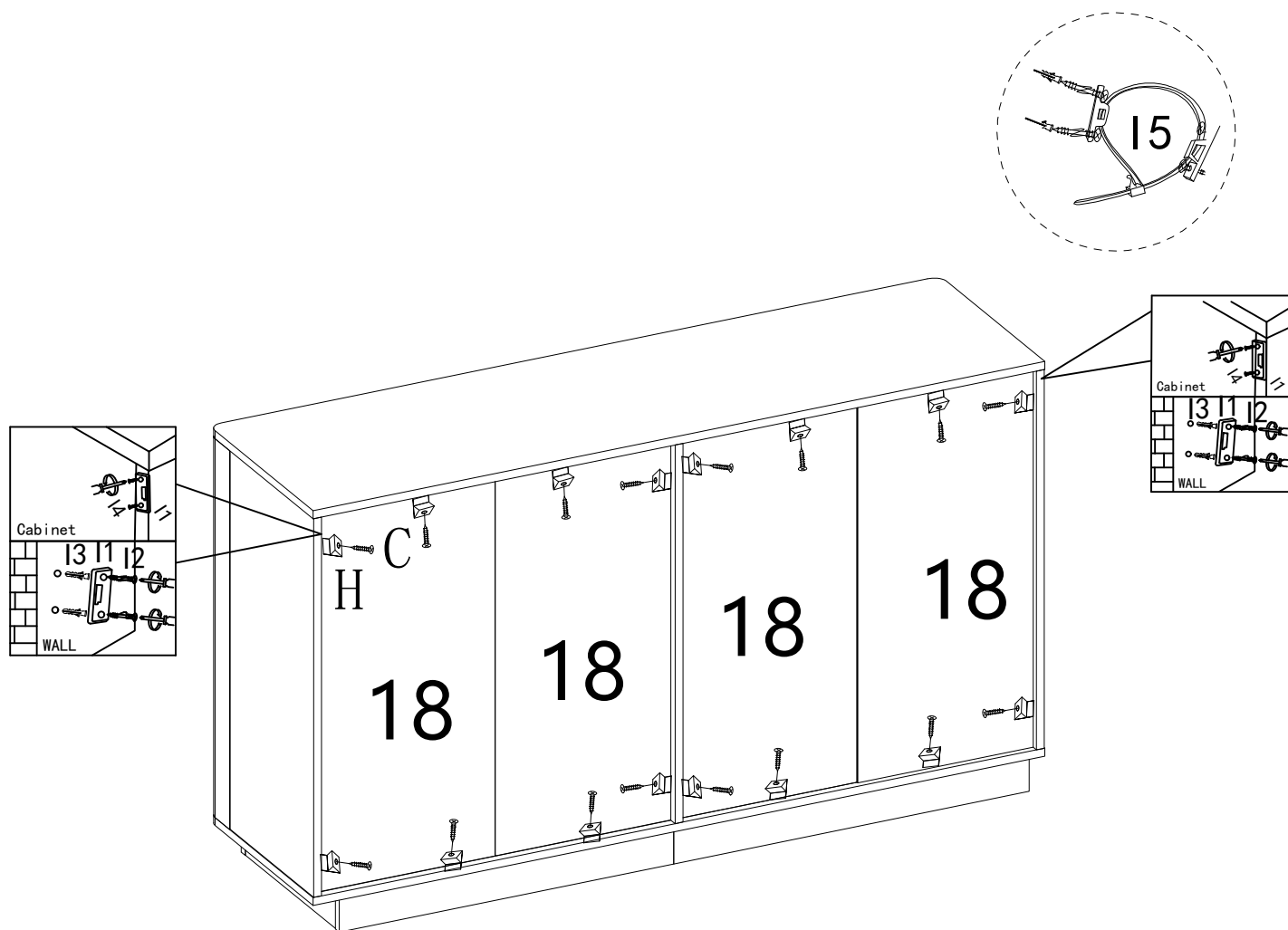
C × 8PCS


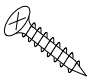
STEP 20

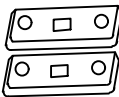
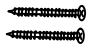


C × 8PCS

STEP 21



	H × 16PCS
	C × 16PCS

		I × 2PCS
