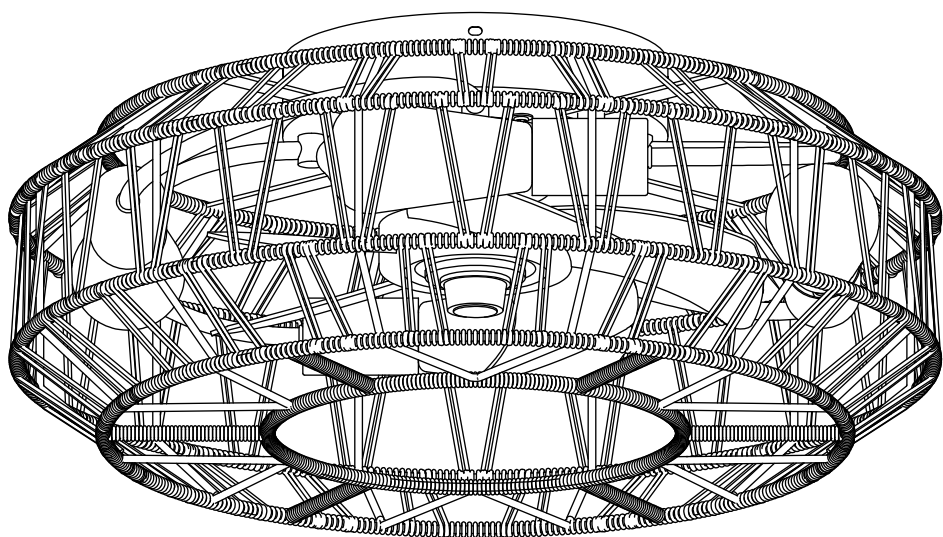


INSTALLATION MANUAL

CEILING FAN WITH LIGHTS

Model No.: RM001-01



TOOLS REQUIRED



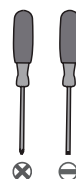
Ladder



Pliers

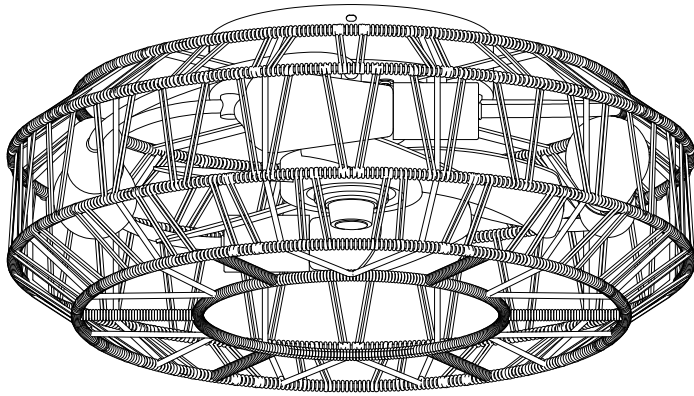


Wire
Strippers





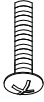








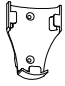

Screwdrivers

PACKING LIST



A Fan Assembly ×1

INSTALLATION KIT

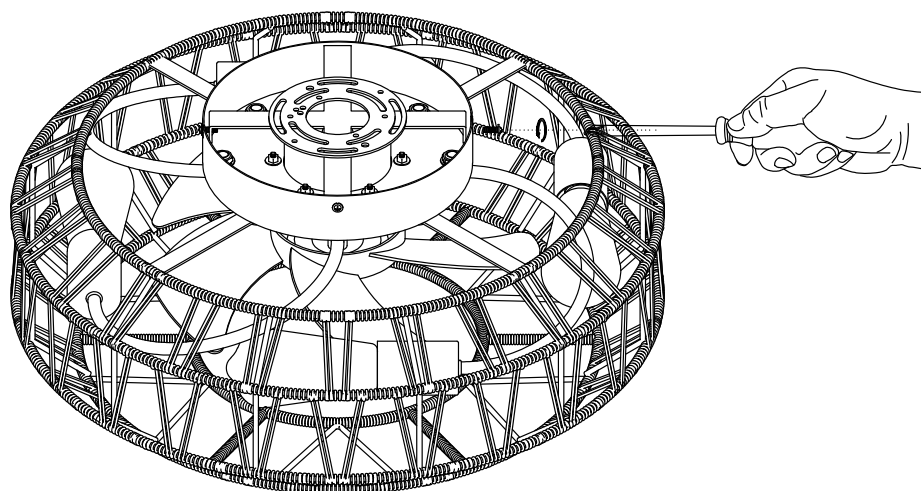
<p>AA 1×</p>  <p>Mounting Bracket</p>	<p>BB 3×</p>  <p>Wire Nut</p>	<p>CC 2×</p>  <p>Outlet Box Screw</p>	<p>DD 2×</p>  <p>Flat Washer</p>	
<p>EE 4×</p>  <p>Wood Screw</p>	<p>FF 4×</p>  <p>Plastic Anchor</p>	<p>GG 1×</p>  <p>"S" Hook</p>	<p>HH 4×</p>  <p>Canopy Screw</p>	
<p>II 2×</p>  <p>Remote Holder Anchor</p>	<p>JJ 2×</p>  <p>Remote Holder Screw</p>	<p>KK 1×</p>  <p>Remote Control</p>	<p>LL 1×</p>  <p>Remote Holder</p>	<p>MM 1×</p>  <p>Pair of Gloves</p>

NOTE:

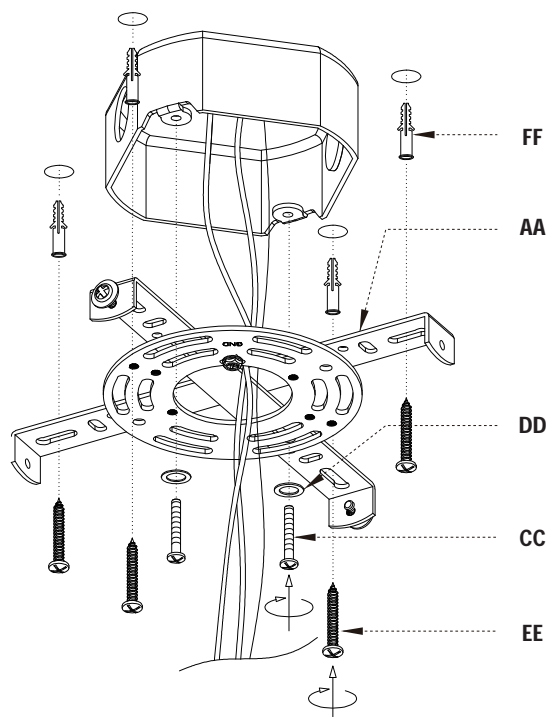
1. The listed quantity is for installation, extra hardware may be included.
2. Mounting bracket (AA) and canopy screws (HH) are pre-installed on fan assembly (A).

INSTALLATION

1. Install the Mounting Bracket



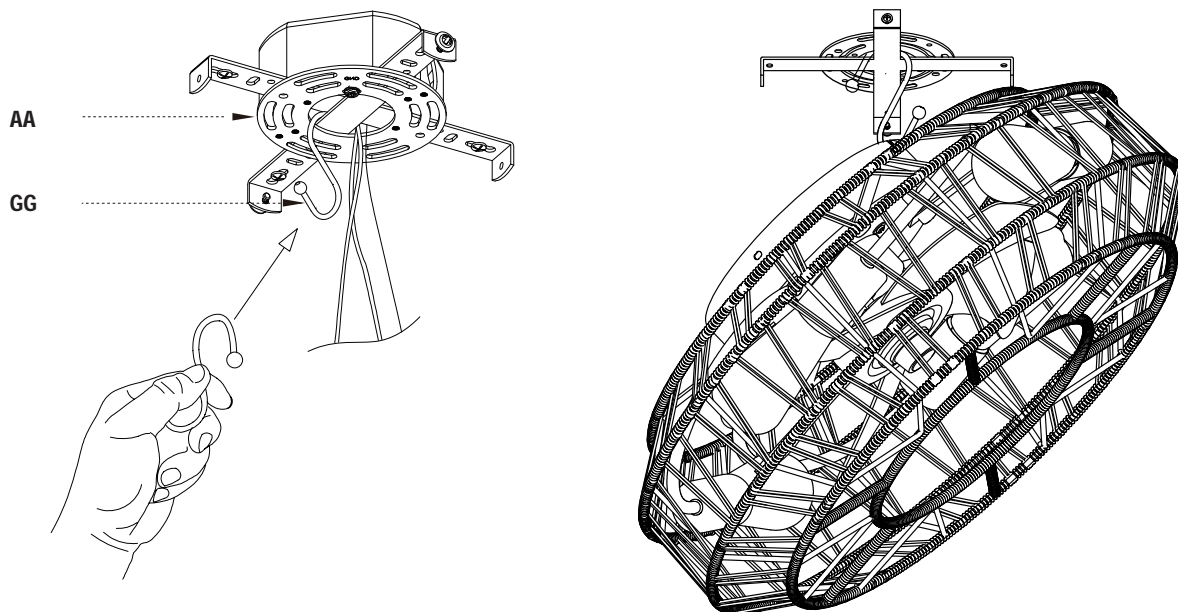
Loosen and remove the canopy screws (HH) from the round holes, and loosen the canopy screws (HH) in the 'L' holes but do not remove them, and then remove the mounting bracket (AA) from the canopy.



STEP 1: Mark and drill screw holes in the ceiling, then insert the plastic anchors (FF).

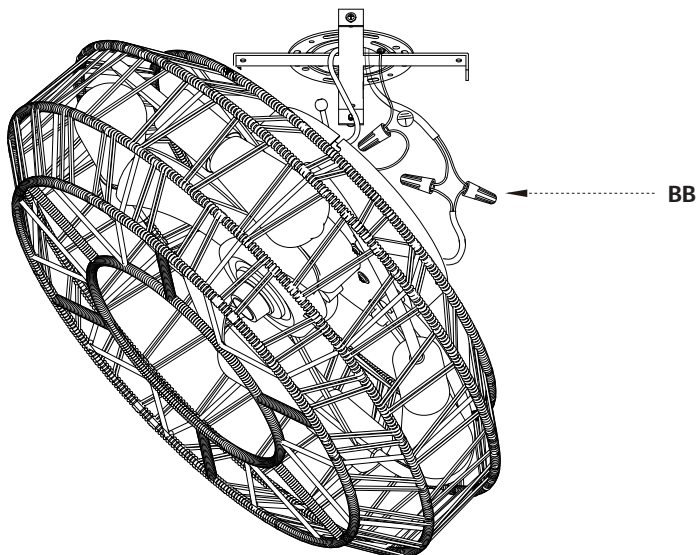
STEP 2: Use outlet box screws (CC) and flat washers (DD) to fix the mounting bracket (AA) to the outlet box, and then tighten it with wood screws (EE).

2. Hang the Fan



Hang the fixture onto the mounting bracket (AA) with "S" hook (GG) provided.

3. Connect the Wires

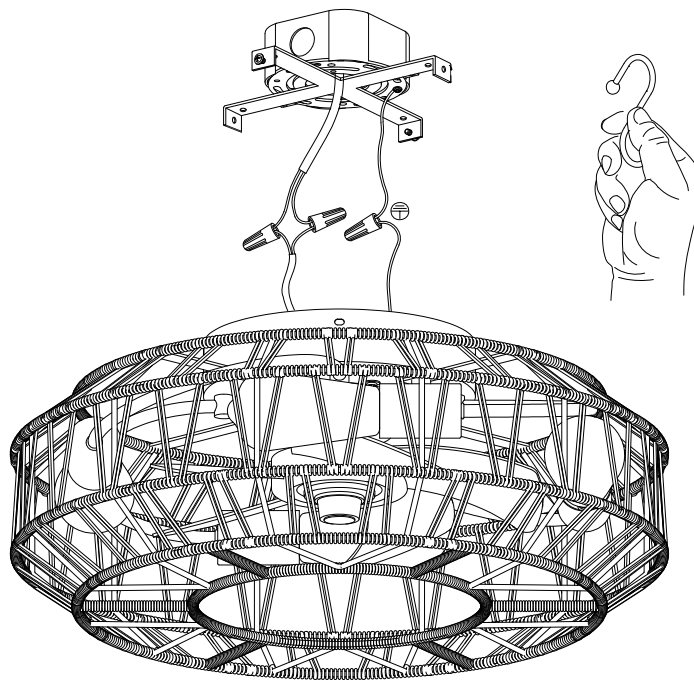


STEP 1: Connect the wires from the fan to the house supply wires with wire nuts (BB), ground wire (green, green/yellow, or bare copper) to ground wire, neutral wire (white) to neutral wire, and hot wire (black) to hot wire. Wrap the connection with electrical tape.

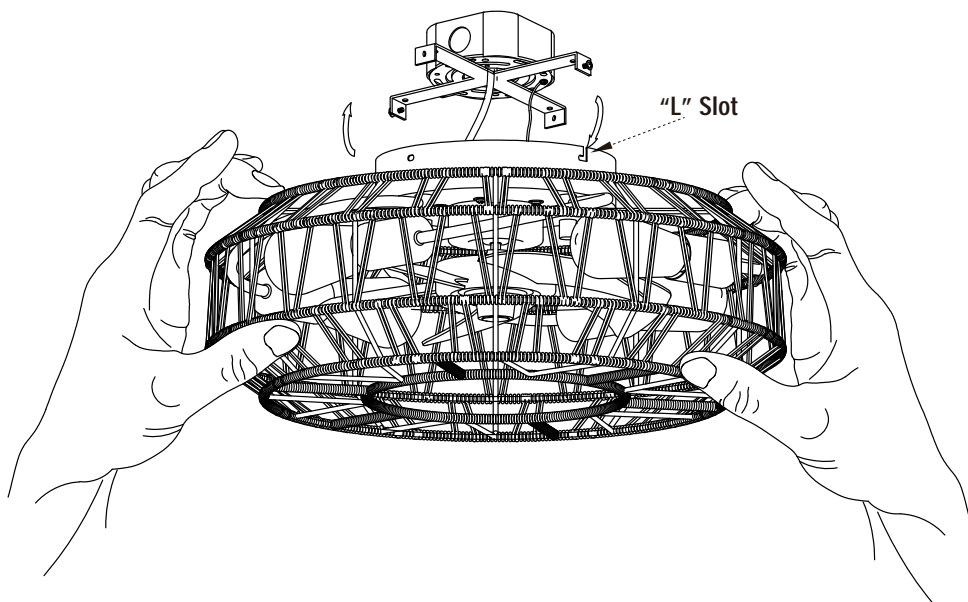
STEP 2: Spread apart the wires so that the hot wires are on one side of the outlet box and the neutral wires are on the other side.

Note: This fan only needs one set of input wires (black, white, and ground wire). Both of the fan and lights will be controlled by the remote controller. This fan can only be connected to an on/off switch if you have one, not a dimmer switch.

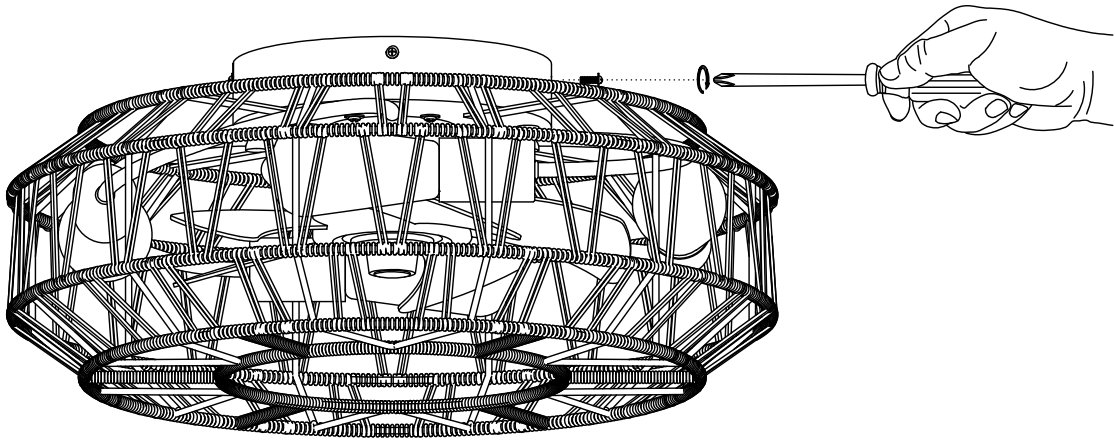
4. Attach the Canopy



Take away the "S" hook (GG).

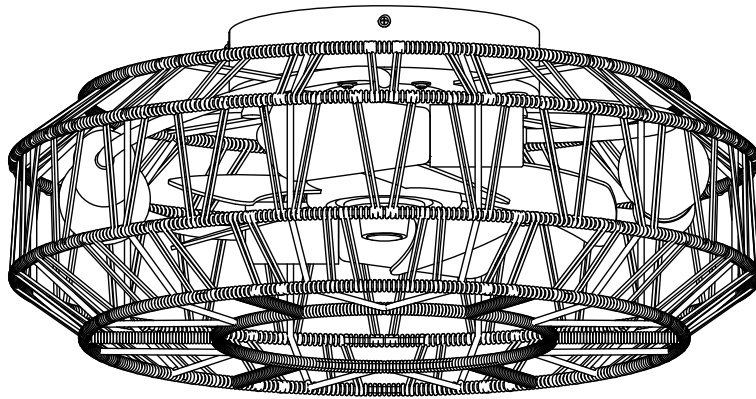


Align the "L" slots from the canopy to the canopy screws (HH) on the mounting bracket (AA), rotate the canopy to lock it onto the mounting bracket (AA).



Tighten the canopy screws (HH).

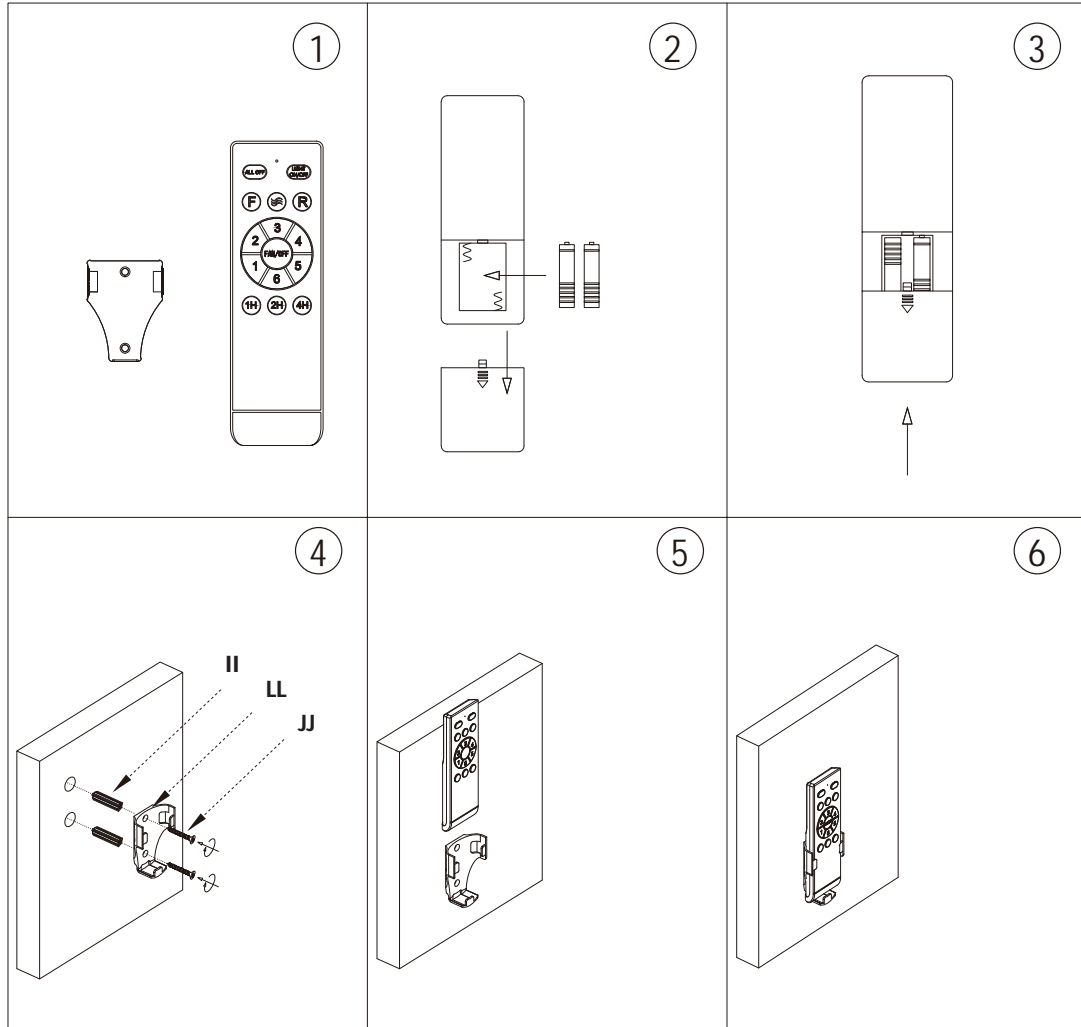
5. Install Bulbs



Bulbs (4 pcs,not included)
Use only E26 LED bulbs

Install light bulbs.

6. Install the Remote Holder

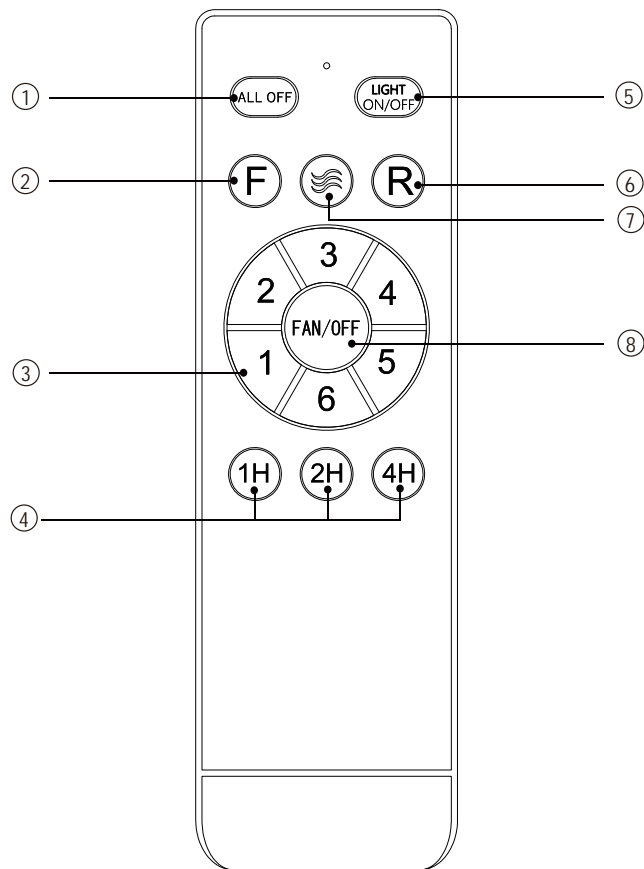


STEP 1: Insert 2 batteries before using: AAA 1.5V battery x 2pcs (not included).

STEP 2: Mark and drill screw holes in the wall, then insert the remote holder anchors (II).

STEP 3: Use remote holder screws (JJ) to fix the remote holder (LL) onto the wall.

REMOTE CONTROL INSTRUCTIONS



NOTE:

**Please insert 2 batteries before using.
AAA 1.5V battery x 2pcs (not included)**

- ①: Turn off the fan and lights.
- ② ④: "F" refers forward fan direction. "R" refers reverse the fan.
- ③: 1/2/3/4/5/6 for fan speeds.
- ④: 1H/2H/4H for timing the fan.
- ⑤: Turn on/off the lights.
- ⑦: Natural wind of the fan, fan speed will change automatically when use this function.
- ⑧: Turn off the fan.

REMOTE SIGNAL PAIRING:

If the remote control loses signal with the fan, turn off the power from the wall switch, then turn it back on, immediately press button ⑧ for around 3 seconds. After the fixture beeps or flashes, the reconnection is complete.