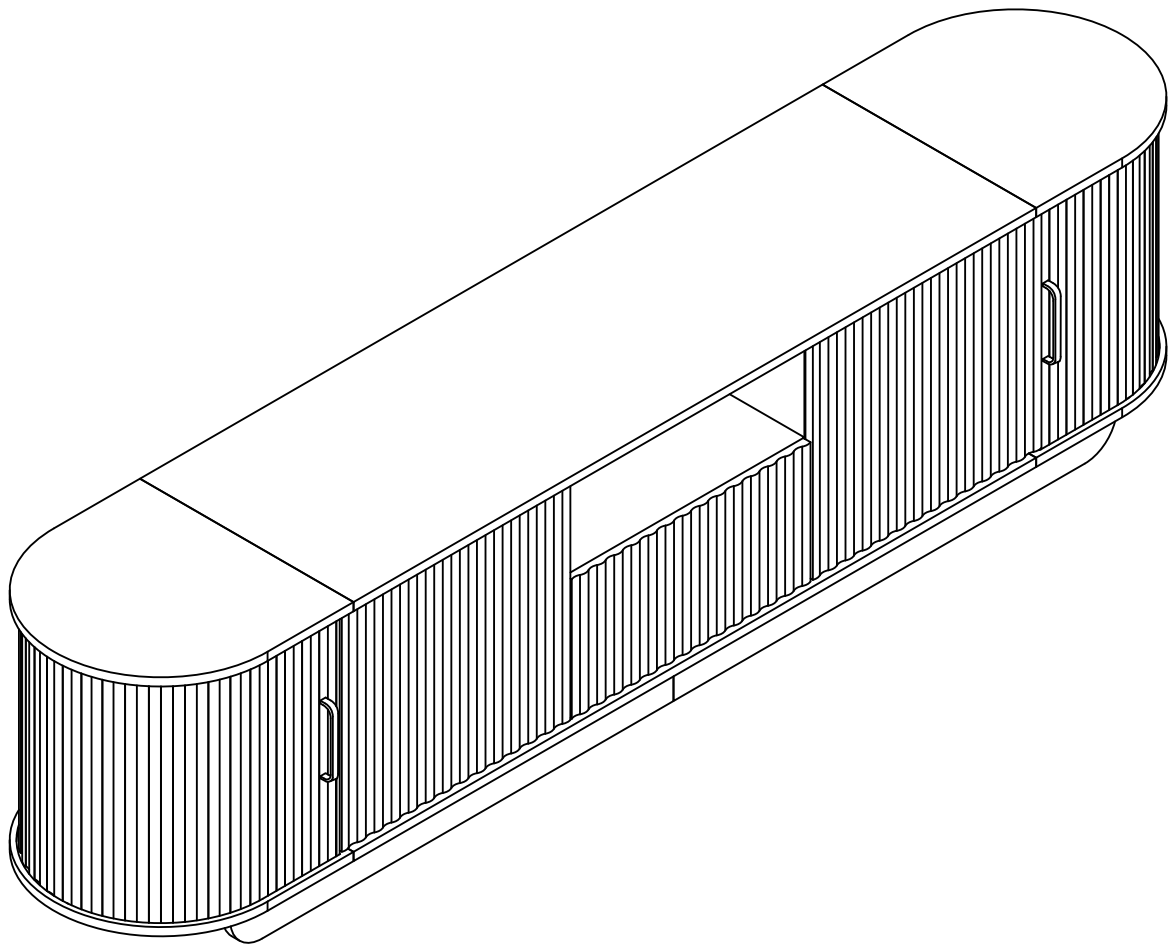


ENTERTAINMENT CENTER

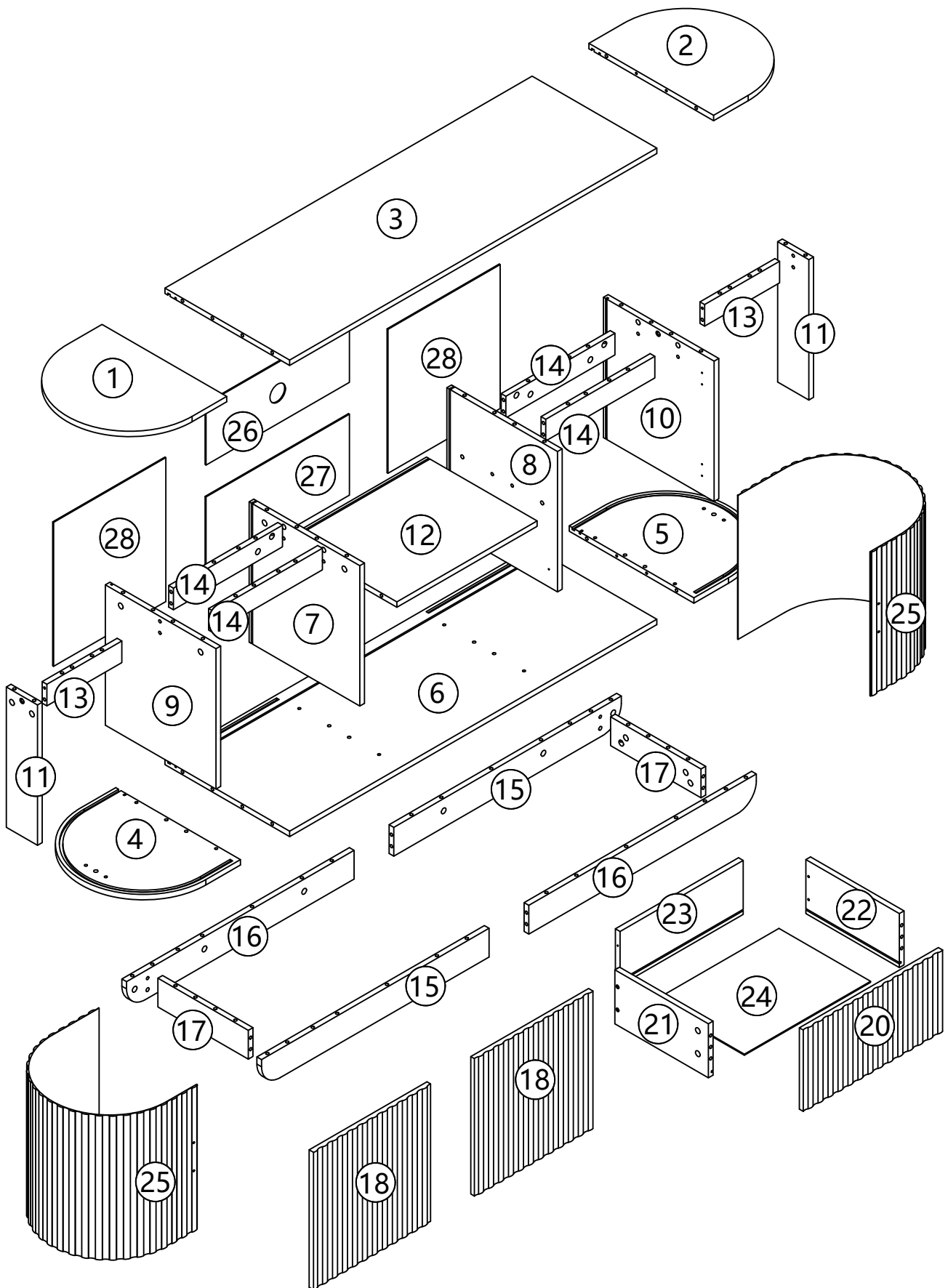
N724P420628W/N724P420628D

Assembly Instructions - Please keep for future reference.

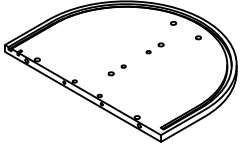
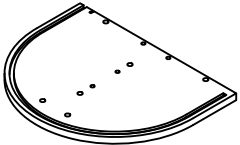
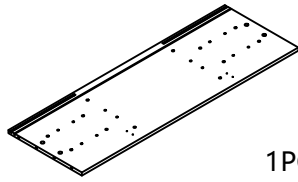
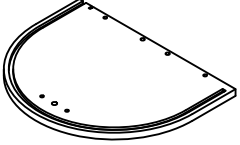
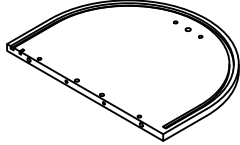
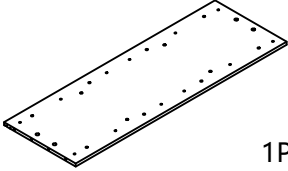
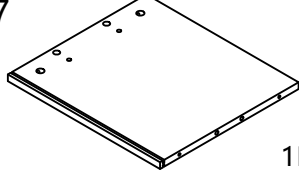
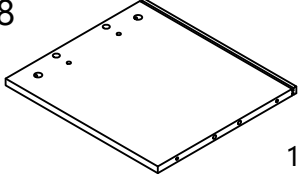
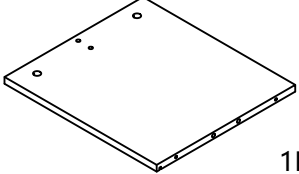
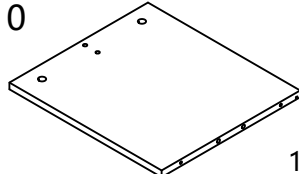
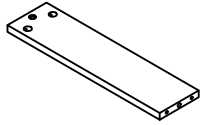
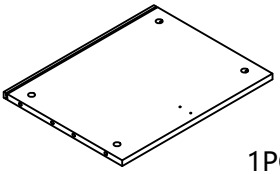
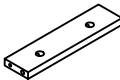
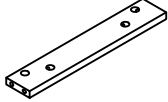
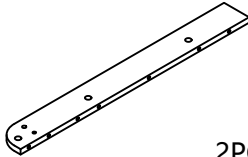
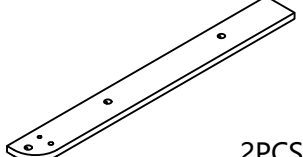
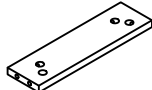
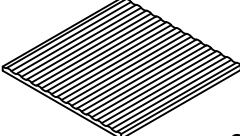
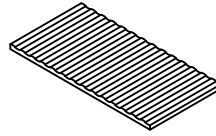
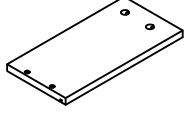
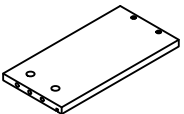
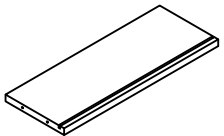
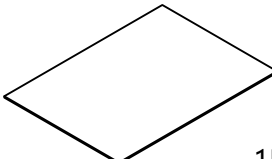
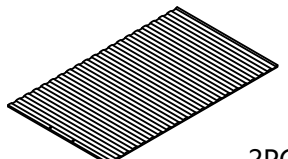
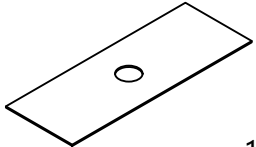
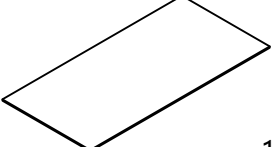
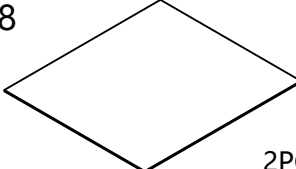


Important - Please read these instructions fully before starting assembly.

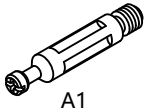

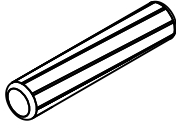
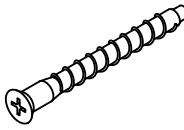
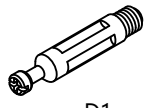

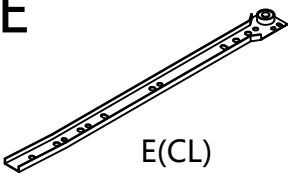
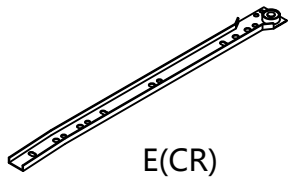
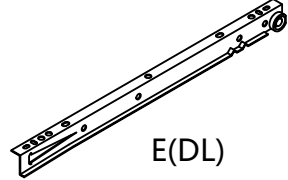
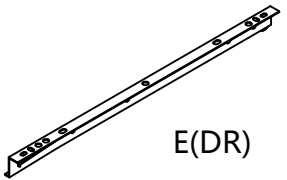



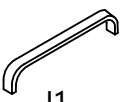

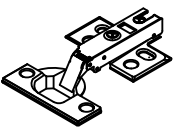
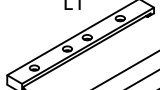
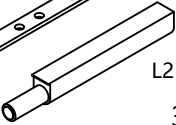

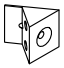
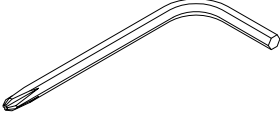

Parts List



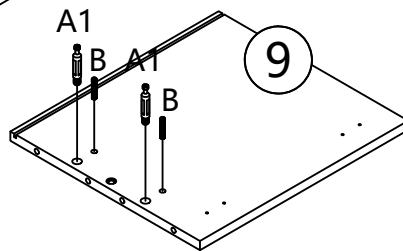
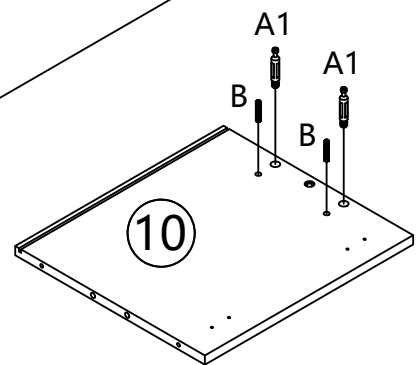
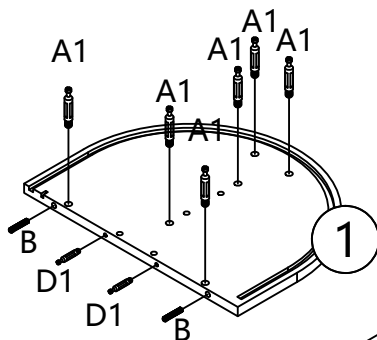
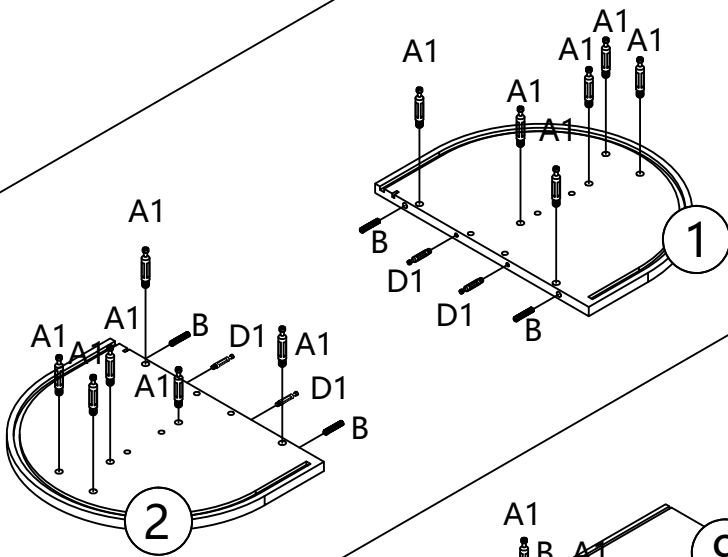
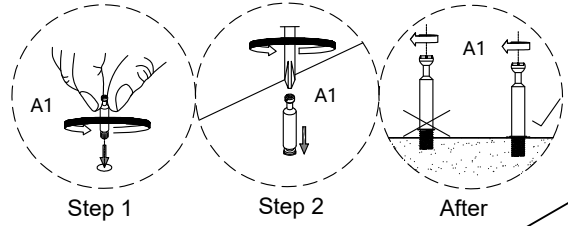
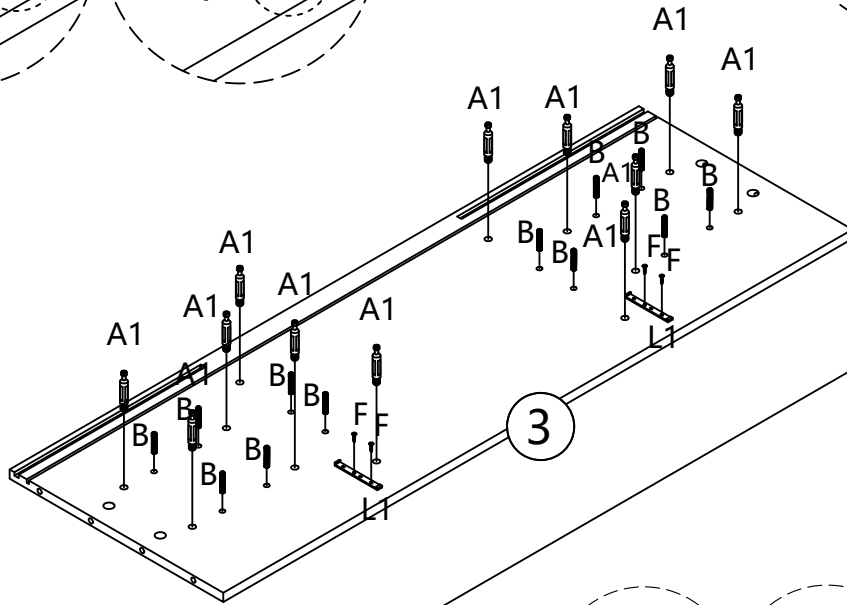
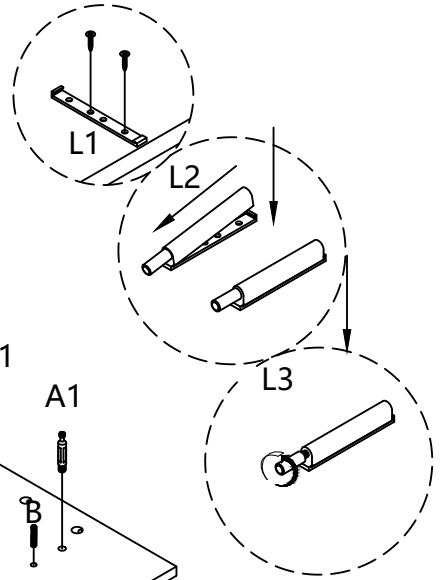
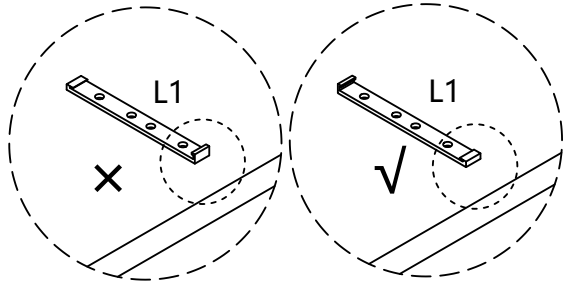
Packaging

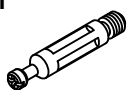
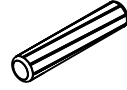
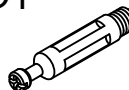
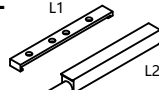

1  1PC	2  1PC	3  1PC	4  1PC
5  1PC	6  1PC	7  1PC	8  1PC
9  1PC	10  1PC	11  2PCS	12  1PC
13  2PCS	14  4PCS	15  2PCS	16  2PCS
17  2PCS	18  2PCS	20  1PC	21  1PC
22  1PC	23  1PC	24  1PC	25  2PCS
26  1PC	27  1PC	28  2PCS	

Hardware

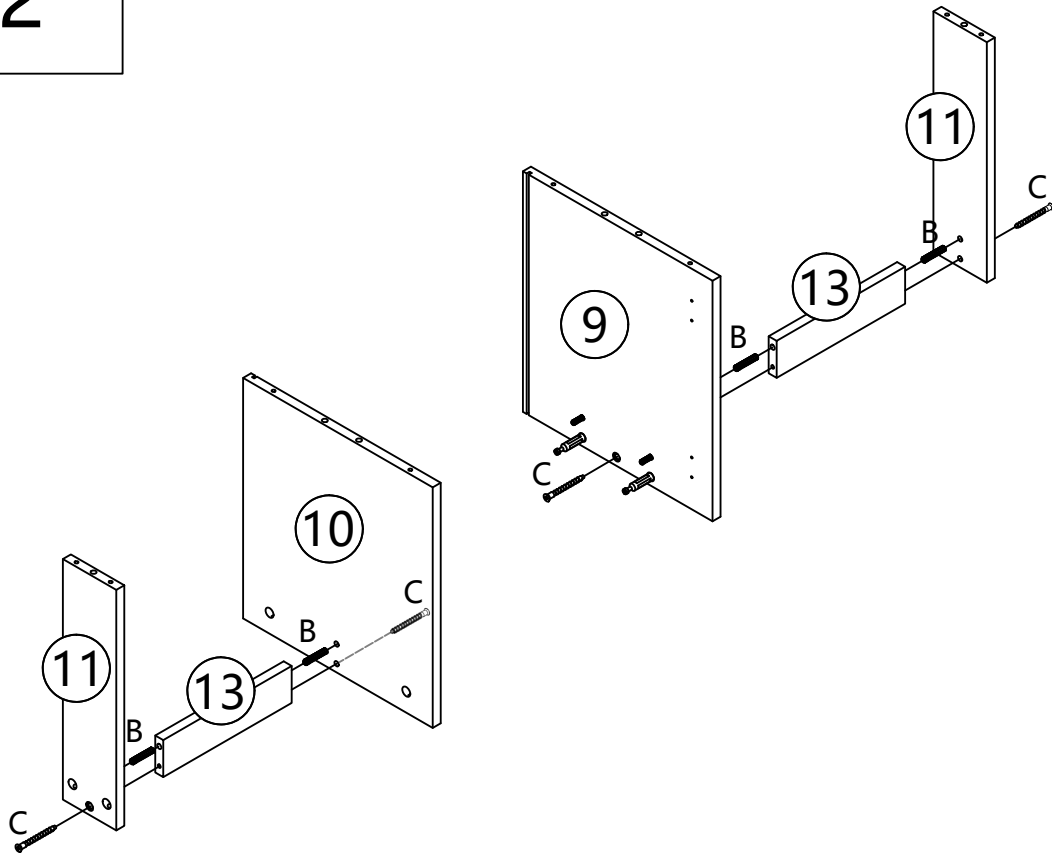
<p>A</p>  <p>A1</p>  <p>A2</p> <p>60STES</p>	<p>B</p>  <p>8 x 40MM</p> <p>84PCS</p>	<p>C</p>  <p>7 x 50MM</p> <p>16PCS</p>	<p>D</p>  <p>D1</p>  <p>D2</p> <p>8SETS</p>
<p>E</p>  <p>E(CL)</p>  <p>E(CR)</p>  <p>E(DL)</p>  <p>E(DR)</p> <p>1SET</p>			
<p>F</p>  <p>$\Phi 3.5 \times 14 \text{MM}$</p> <p>46PCS</p>	<p>G</p>  <p>$\Phi 4 \times 30 \text{MM}$</p> <p>4PCS</p>	<p>H</p>  <p>$\Phi 3.5 \times 12 \text{MM}$</p> <p>8PCS</p>	<p>J</p>  <p>J1</p>  <p>J2</p> <p>2SETS</p>
<p>K</p>  <p>4PCS</p>	<p>L</p>  <p>L1</p>  <p>L2</p> <p>3SETS</p>	<p>M</p>  <p>12PCS</p>	<p>N</p>  <p>16PCS</p>
<p>P</p>  <p>1PC</p>	<p>Q</p>  <p>1PC</p>		

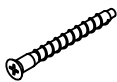
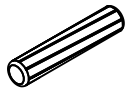
Step 1



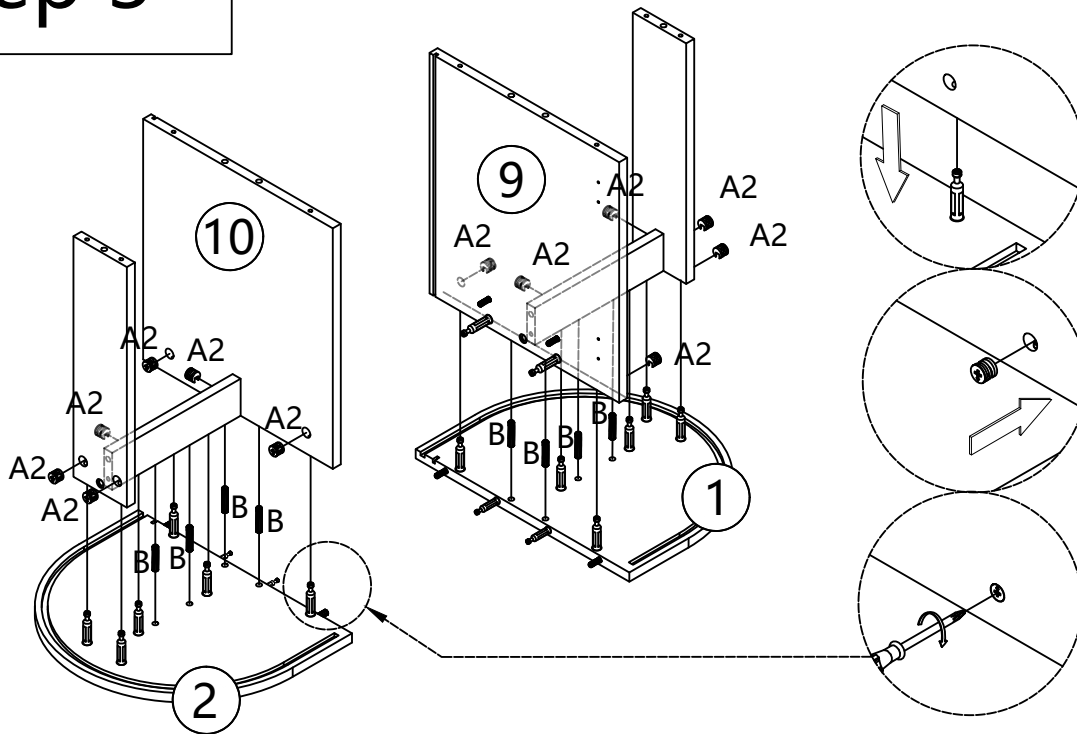
<p>A1</p>  <p>28PCS</p>	<p>B</p>  <p>8 x 40MM 20PCS</p>	<p>D1</p>  <p>4PCS</p>	<p>L</p>  <p>L1 L2 2SETS</p>	<p>F</p>  <p>Φ3.5x14MM 4PCS</p>
--	---	--	--	---

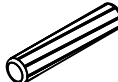

Step 2



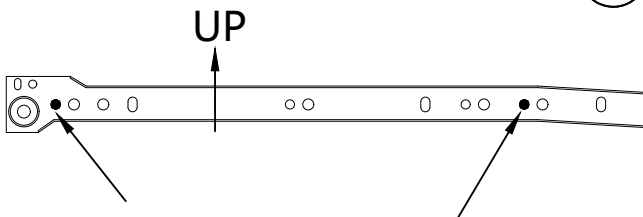
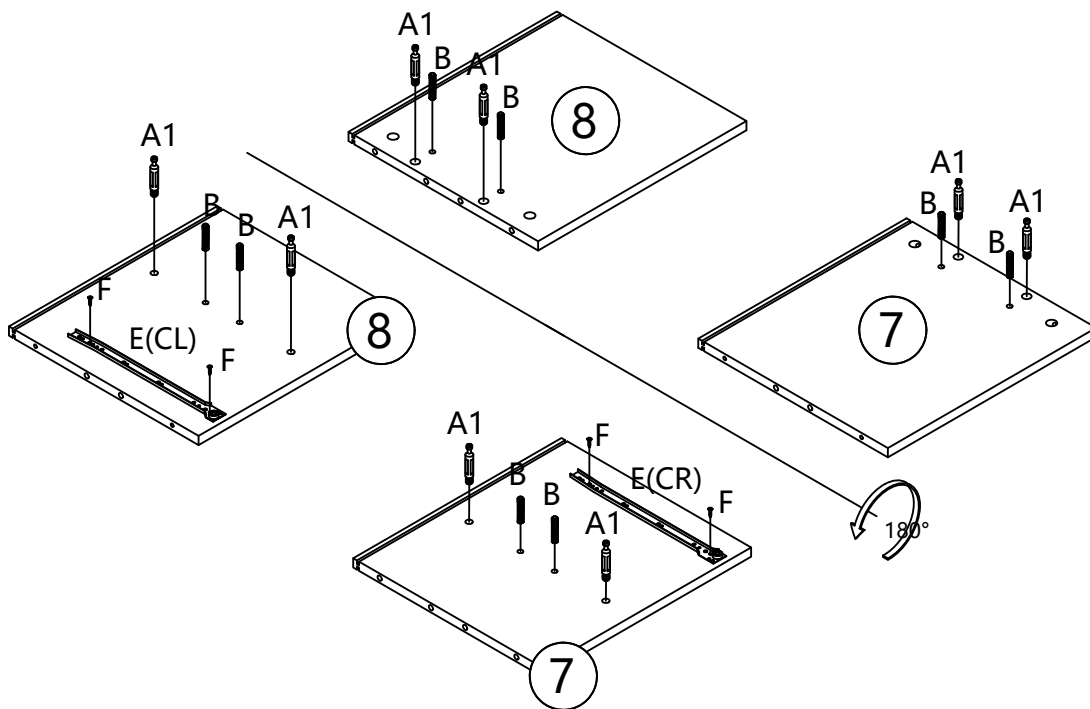
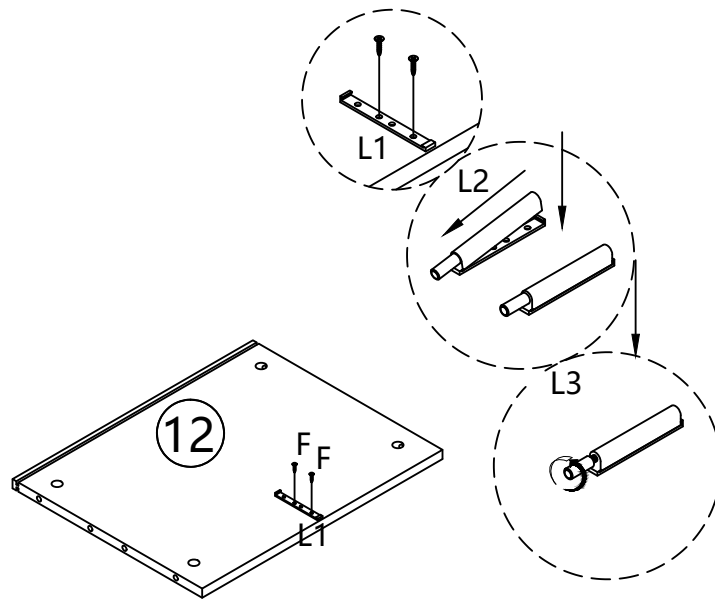
C  7 x 50MM 4PCS	B  8 x 40MM 4PCS
---	--

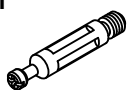
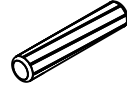
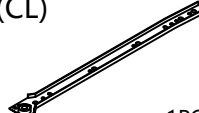
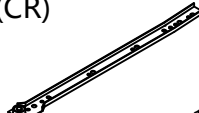
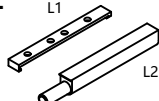

Step 3



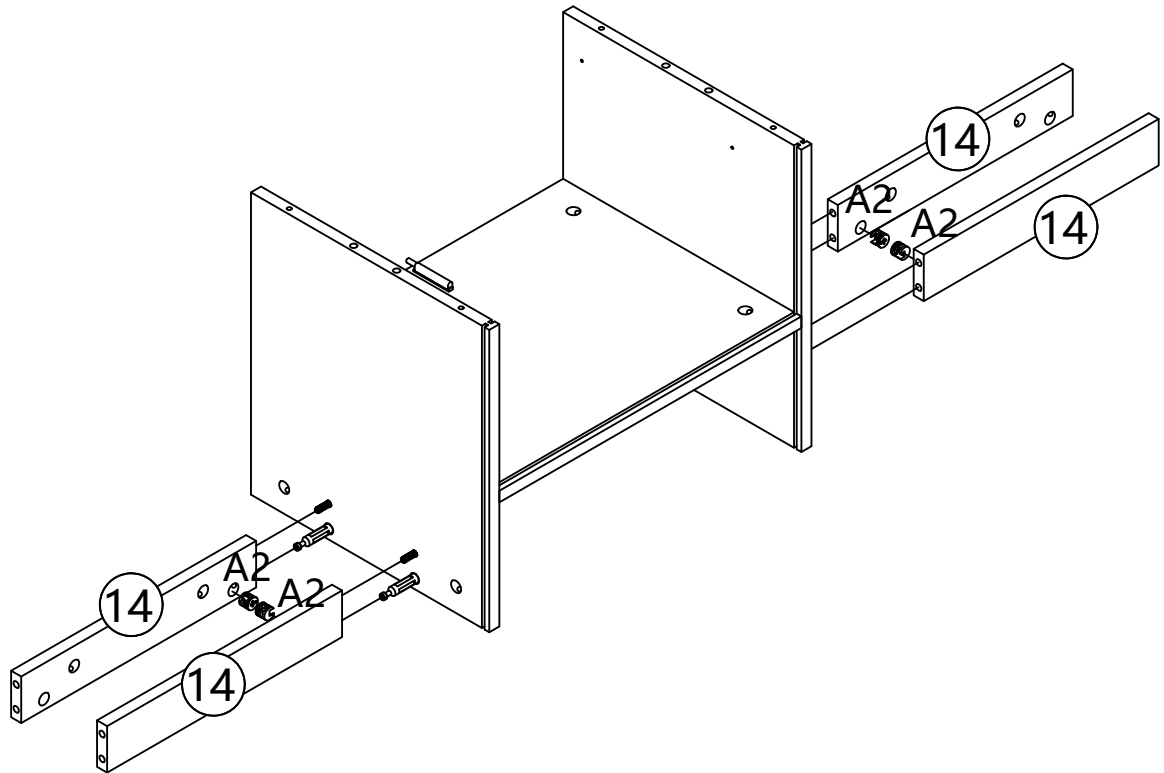
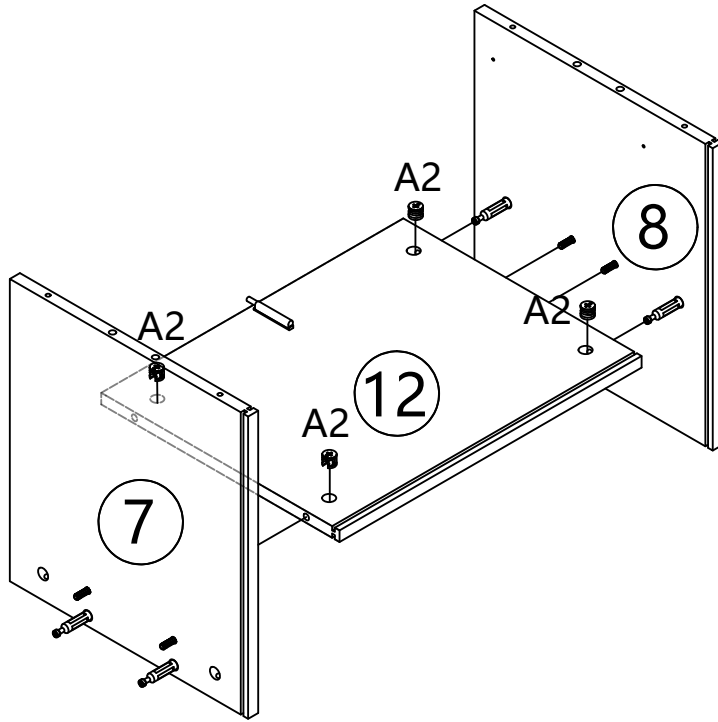
B  8 x 40MM 8PCS	A2  12PCS
---	---

Step 4



A1  8PCS	B  8 x 40MM 8PCS	E(CL)  1PC	E(CR)  1PC	L  L1 L2 1SET	F  $\Phi 3.5 \times 14 \text{MM}$ 6PCS
---	---	--	--	---	---

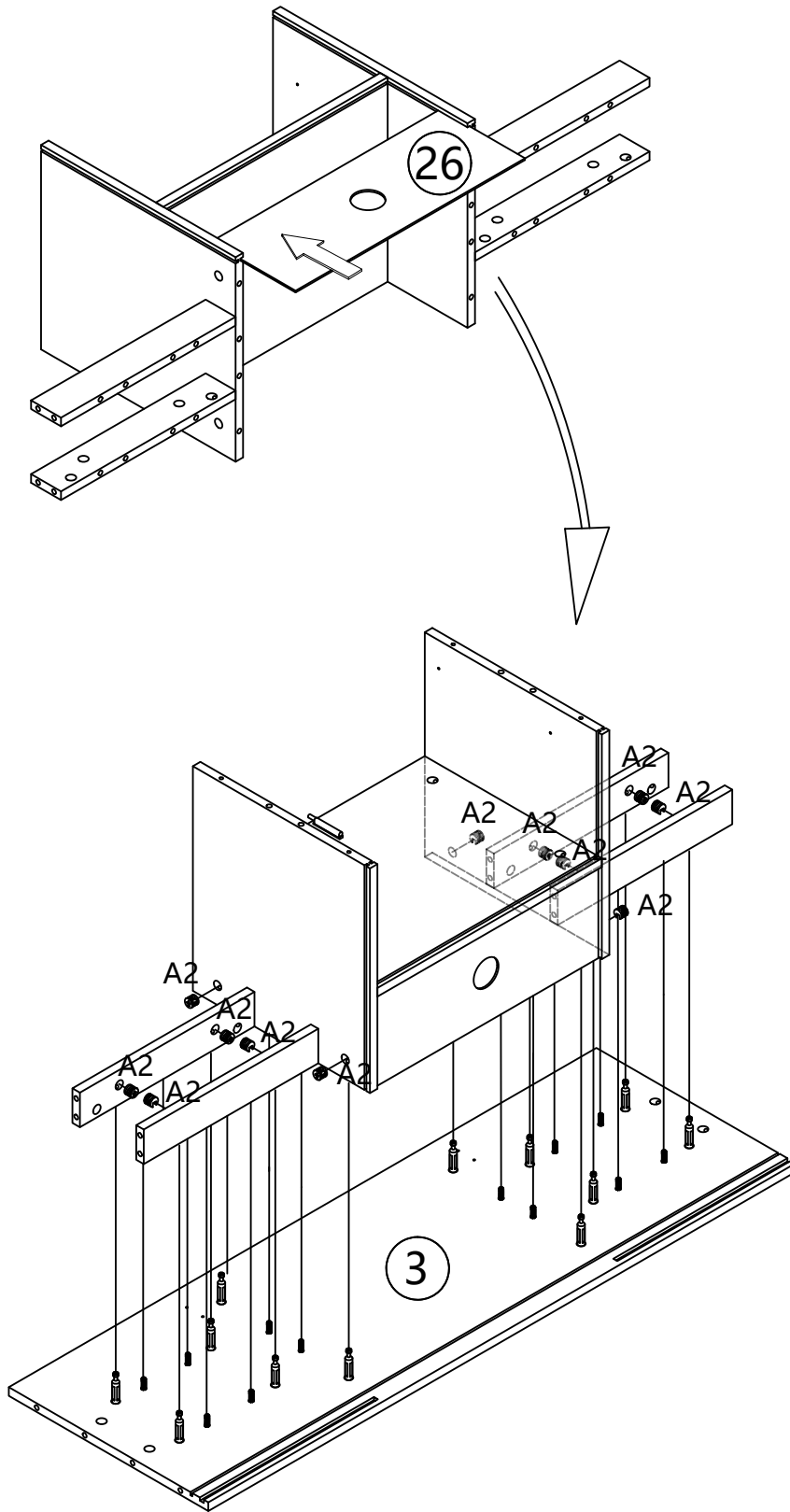
Step 5



A2



Step 6

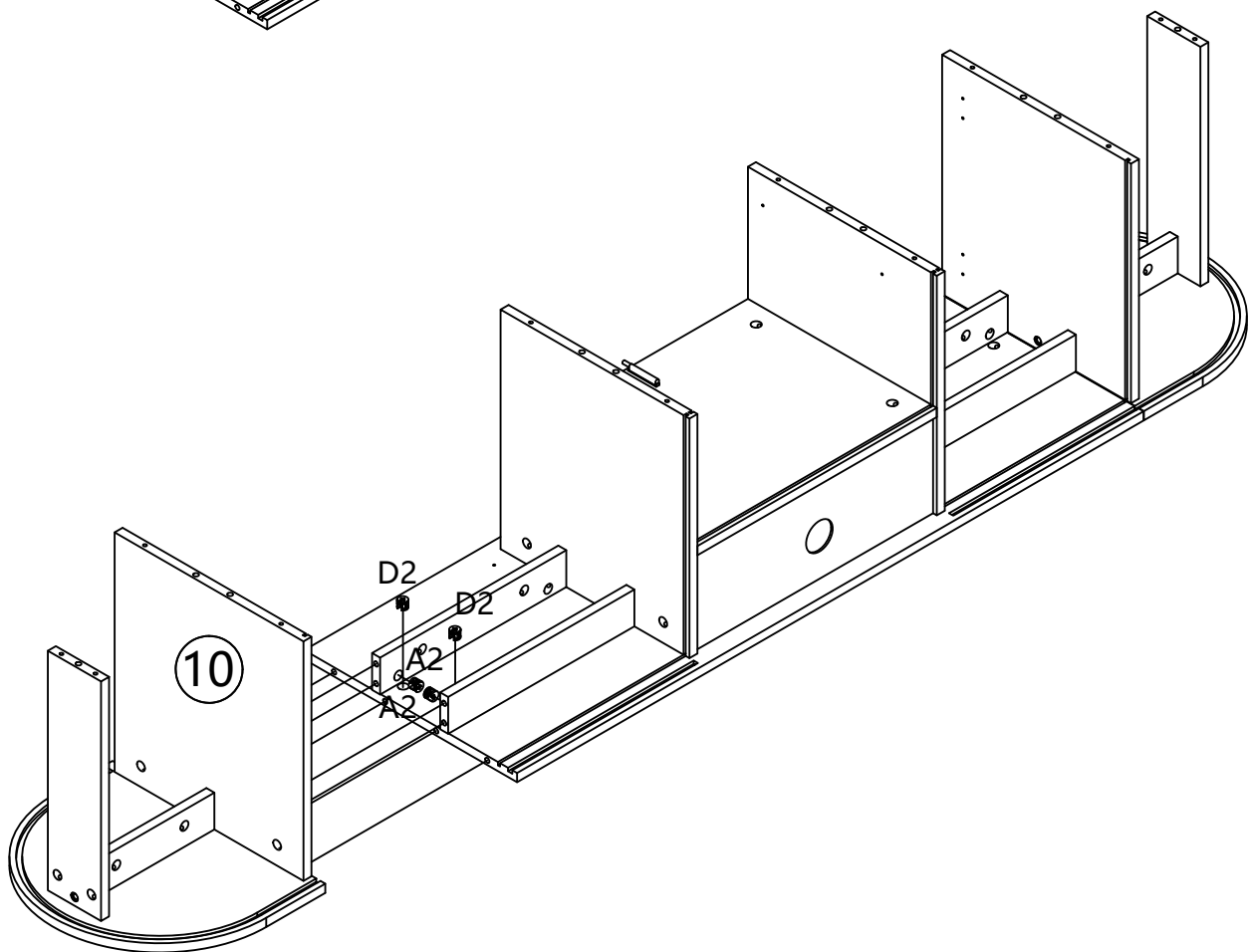
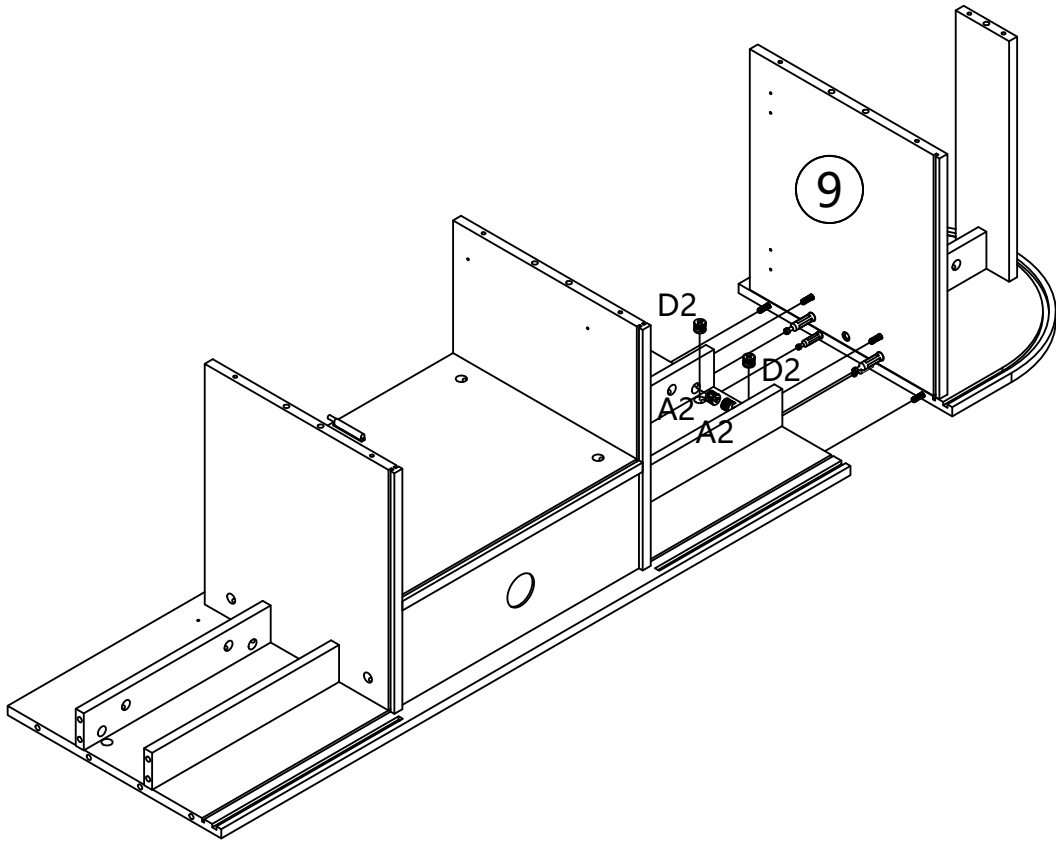




A2



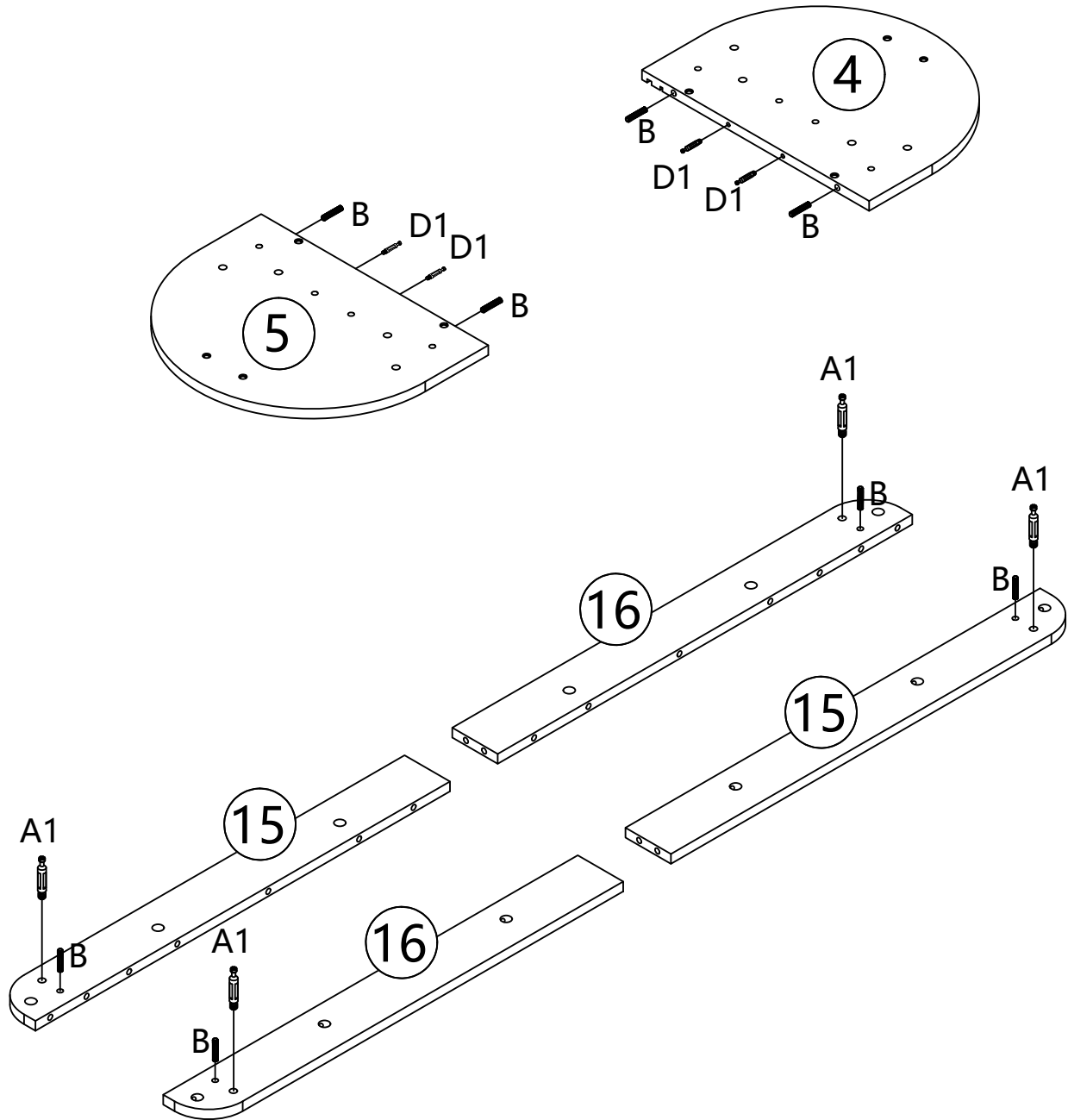
12PCS

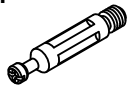
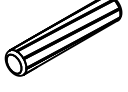
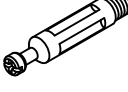
Step 7



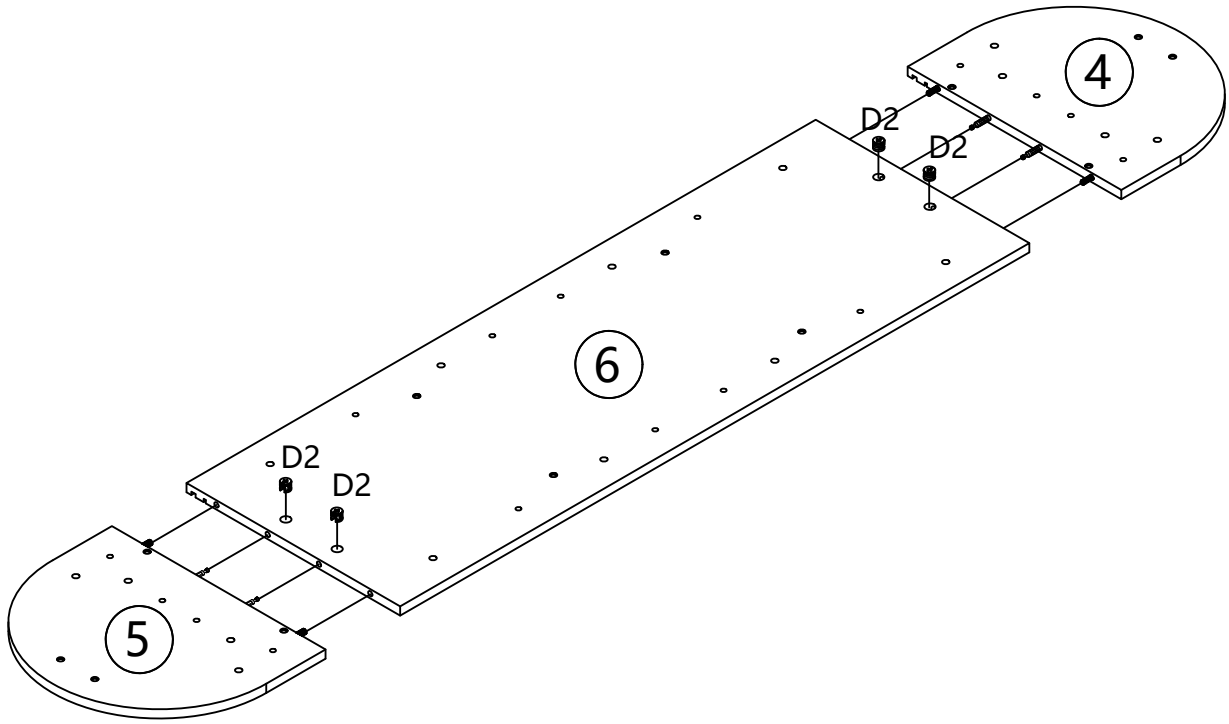
A2		D2	
	4PCS		4PCS

Step 8



 <p>A1</p> <p>4PCS</p>	 <p>B</p> <p>8 x 40MM</p> <p>8PCS</p>	 <p>D1</p> <p>4PCS</p>
--	--	---

Step 9

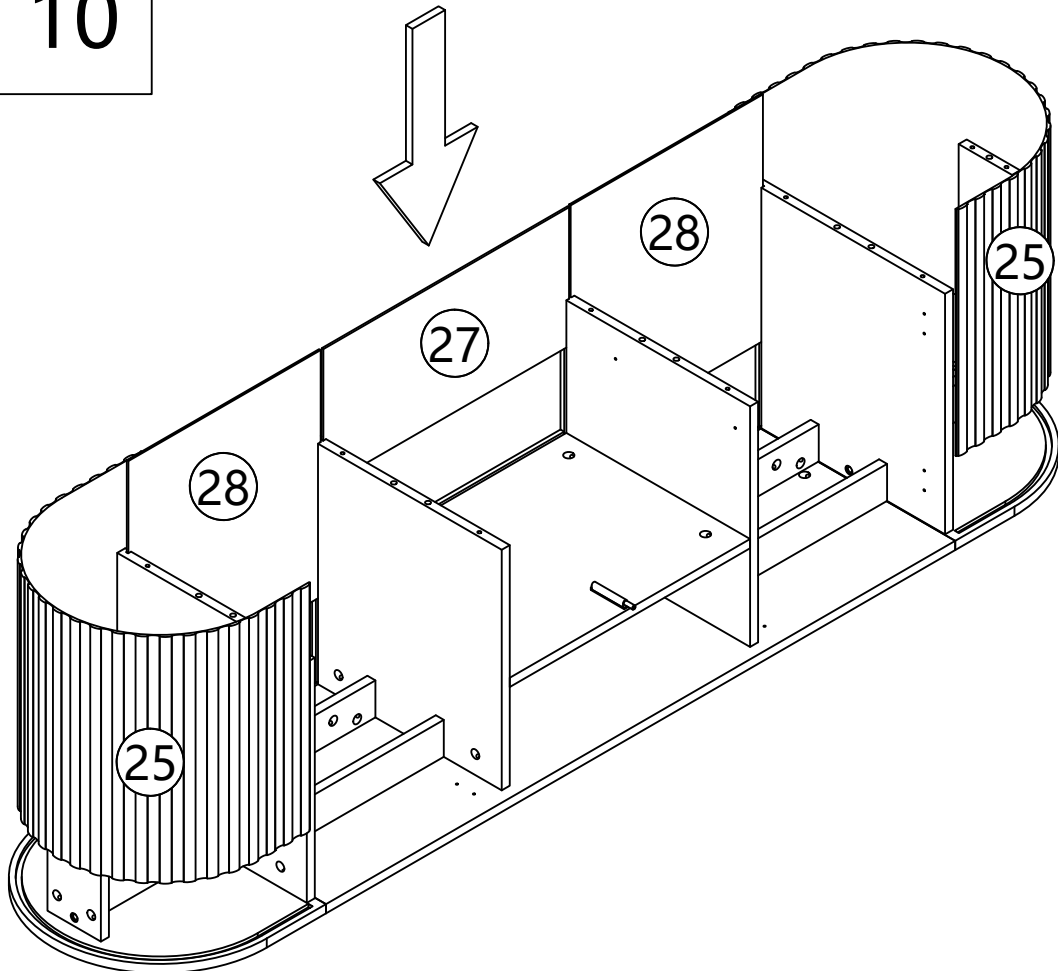


D2

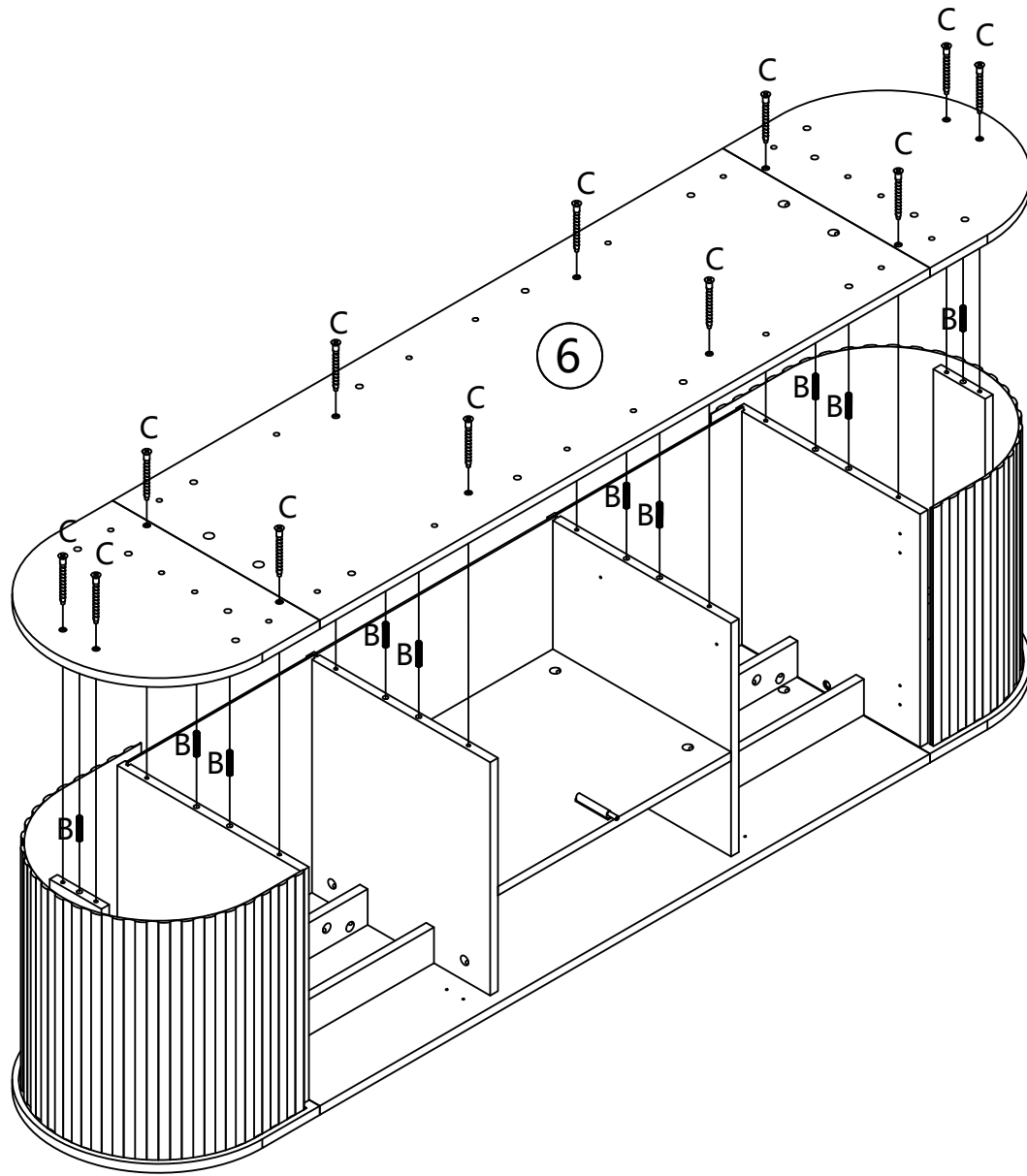


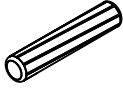
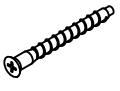
4PCS

Step 10

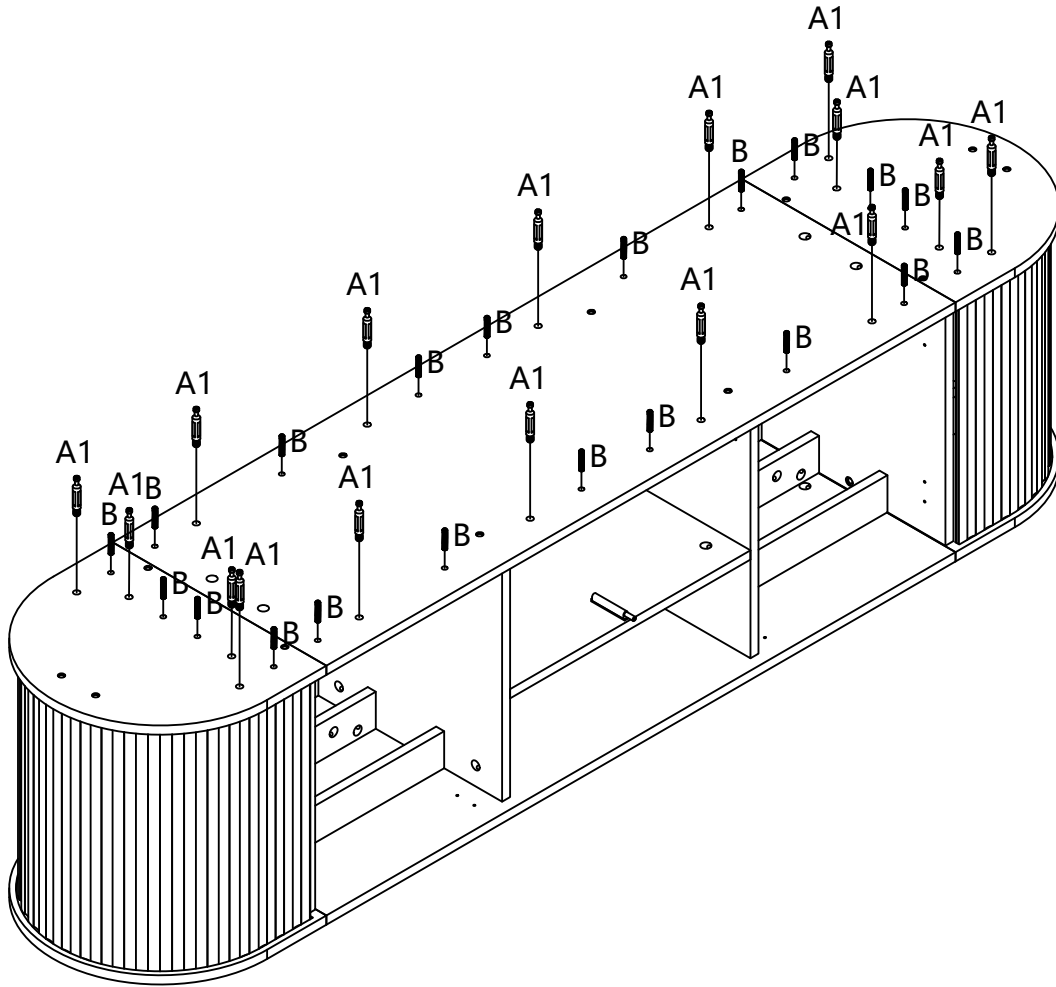


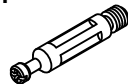

Step 11



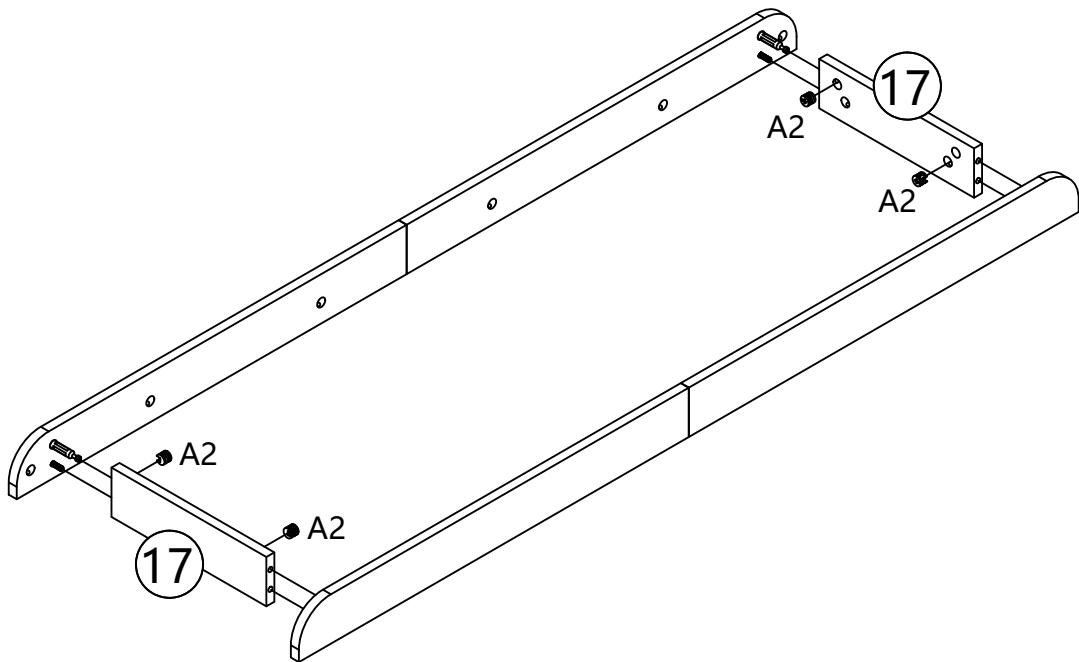
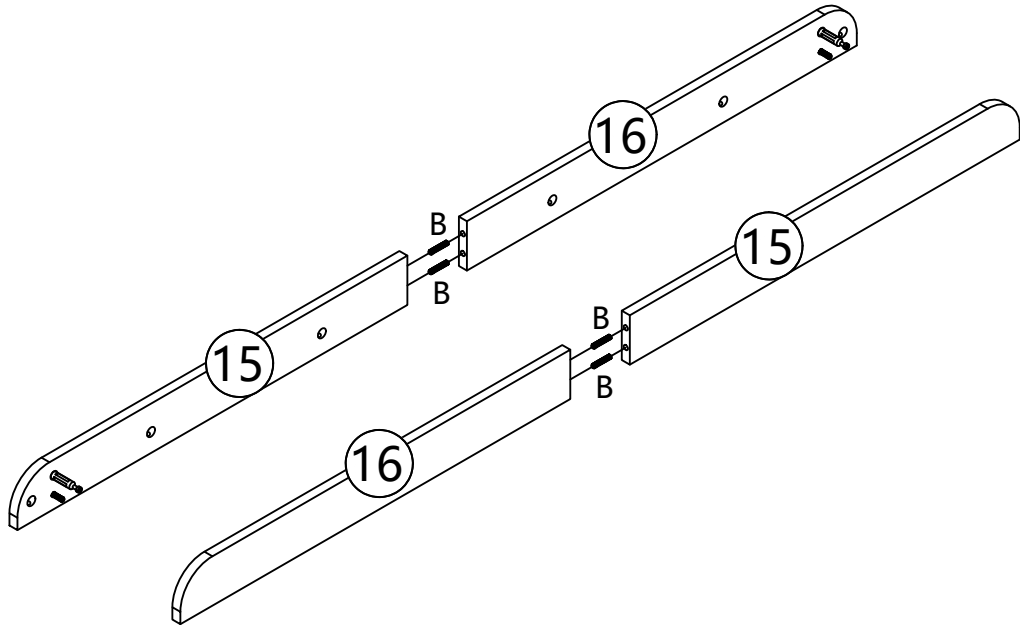
B  8 x 40MM 10PCS	C  7 x 50MM 12PCS
---	---

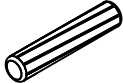

Step 12



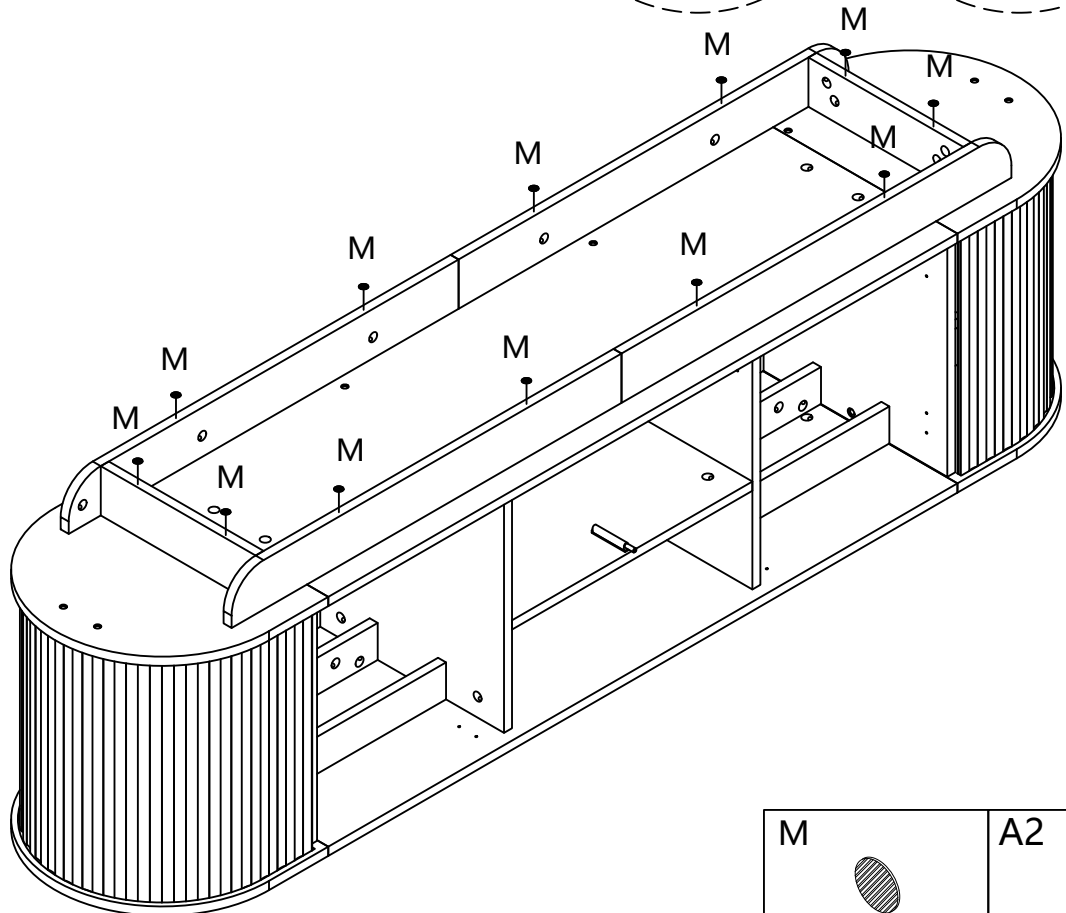
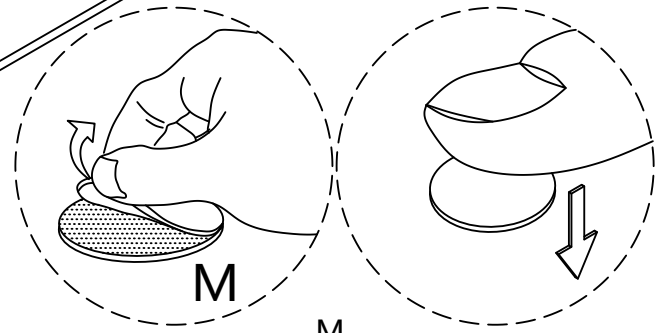
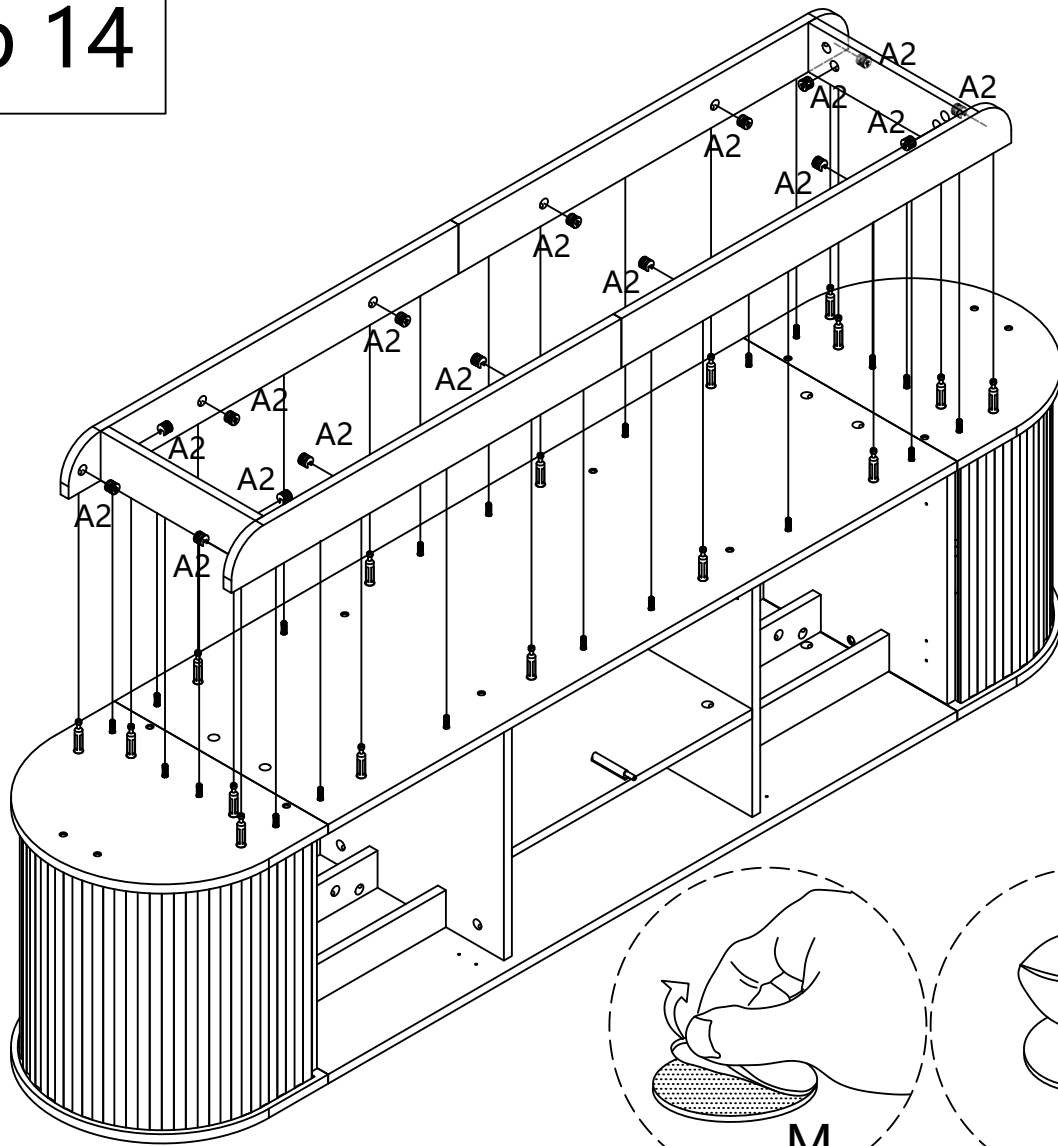
<p>A1</p>  <p>16PCS</p>	<p>B</p>  <p>8 x 40MM 20PCS</p>
--	--



Step 13



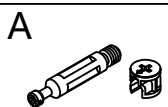
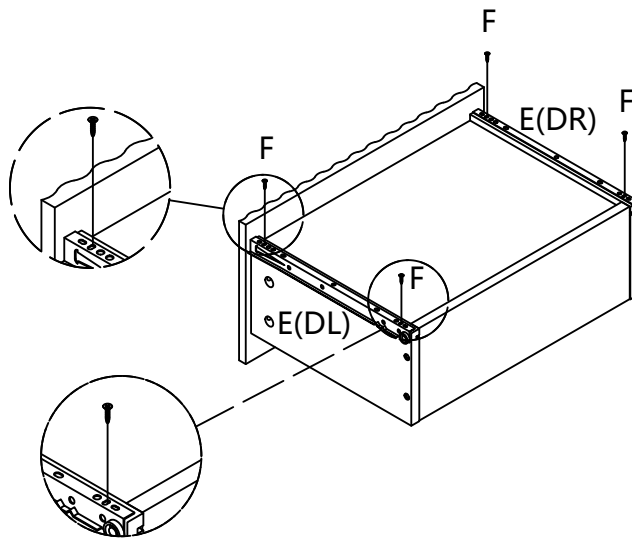
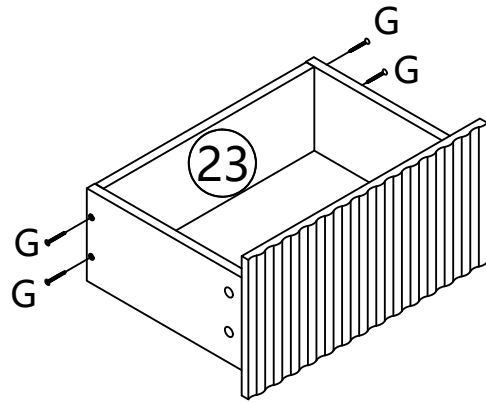
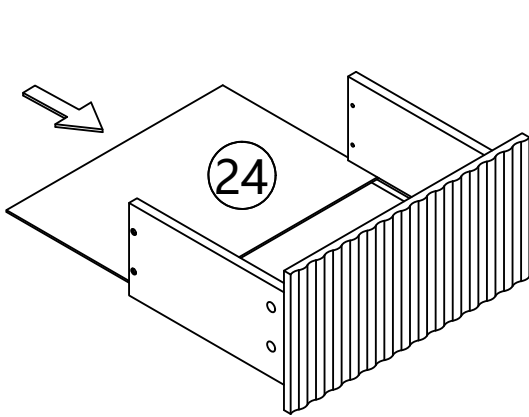
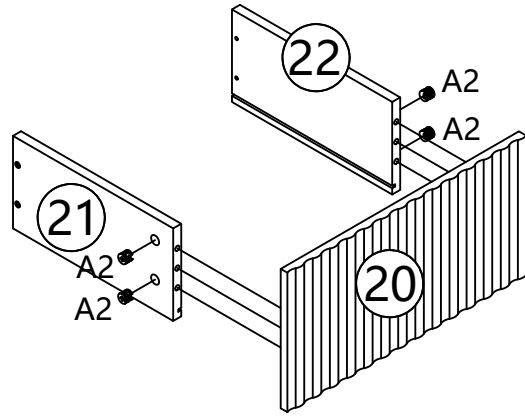
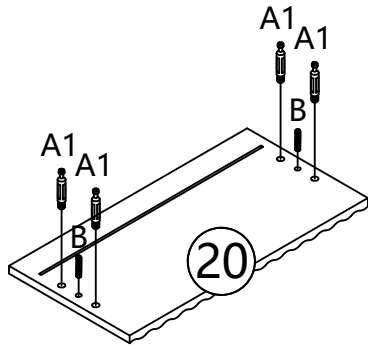
B  8 x 40MM 4PCS	A2  4PCS
--	--

Step 14

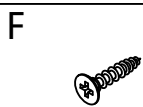


M		A2	
	12PCS		16PCS

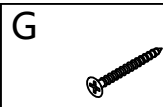
Step 15



4SETS



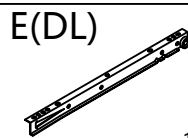
3.5 x 14MM



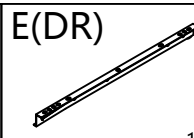
4PCS

4 x 30MM

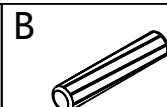
4PCS



1PC



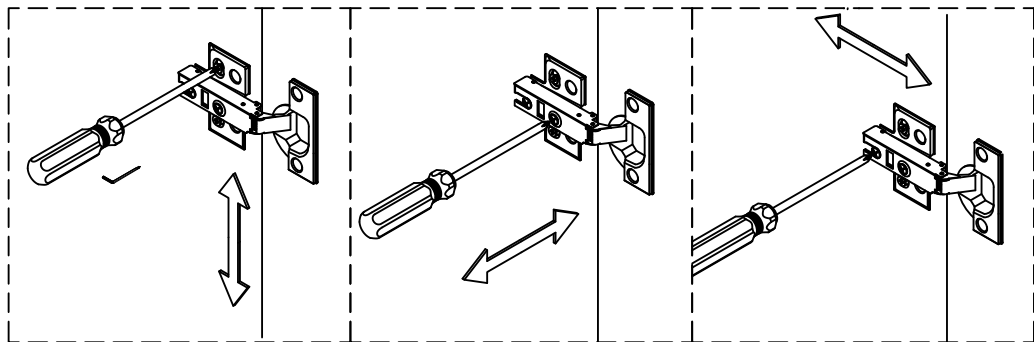
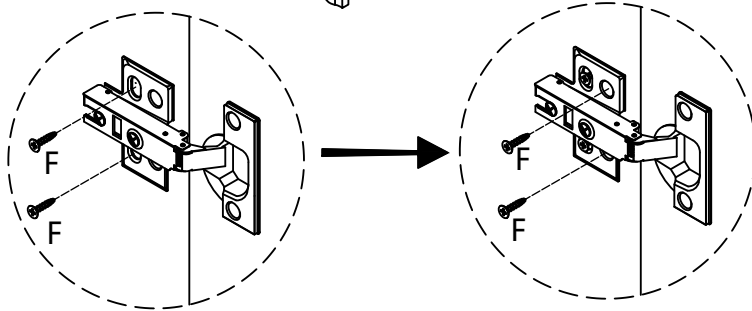
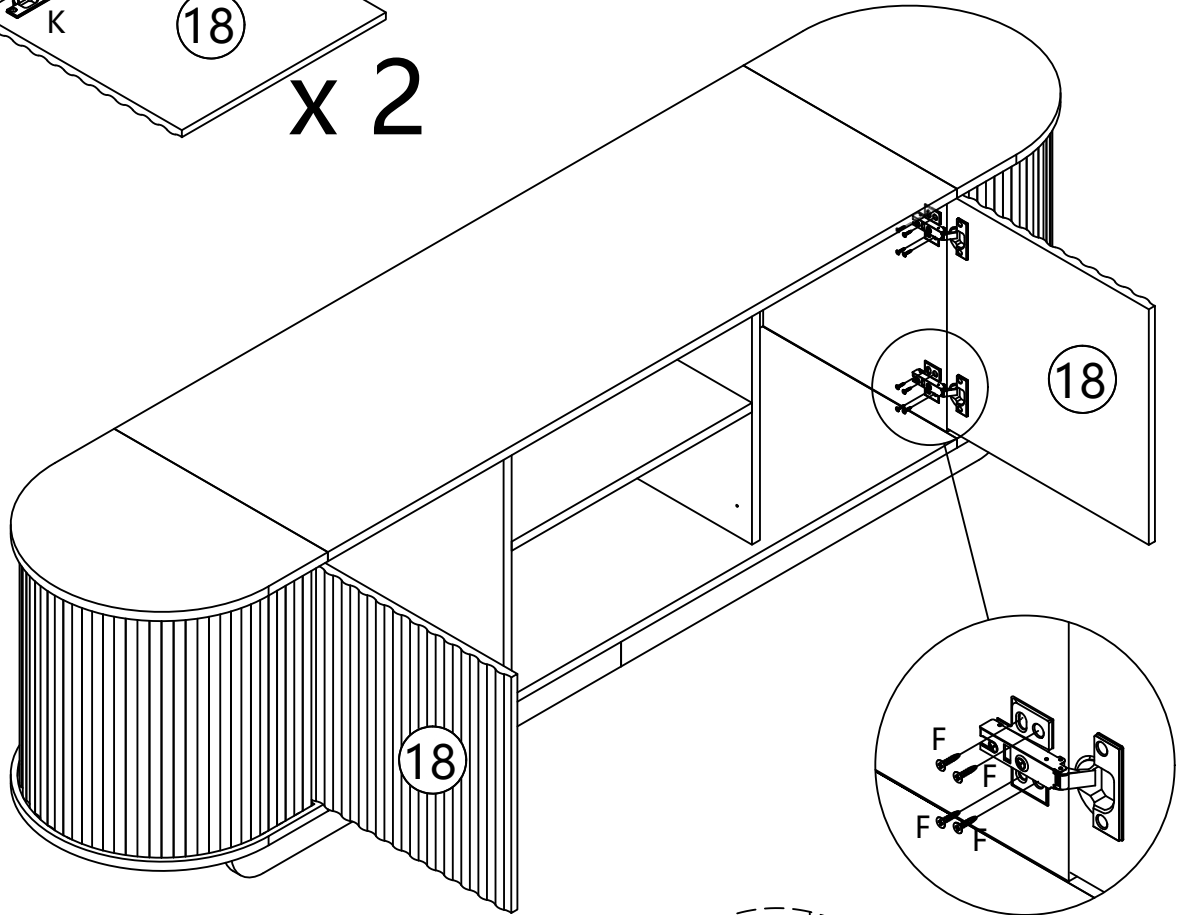
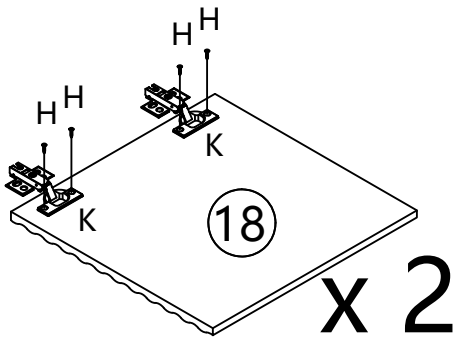
1PC






8 x 40MM

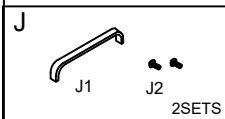
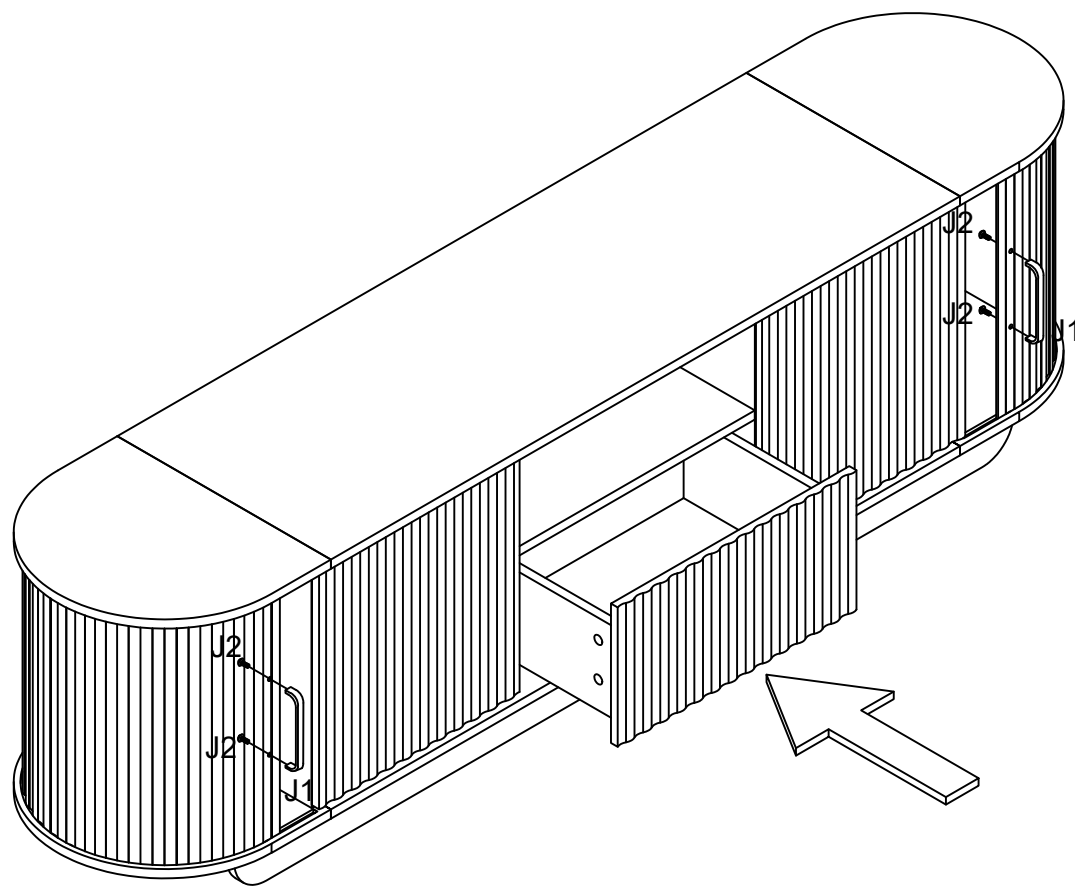
2PCS

Step 16

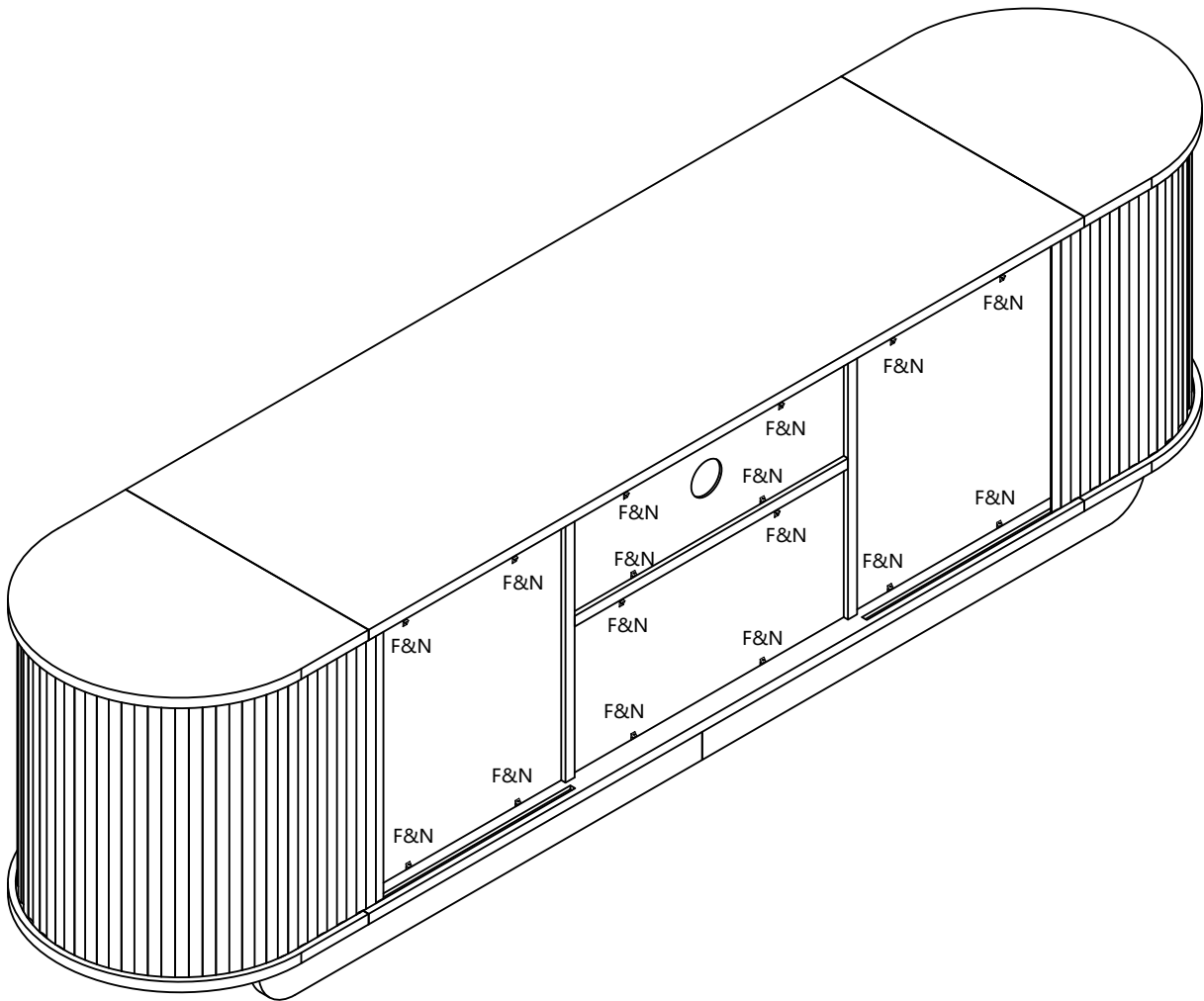
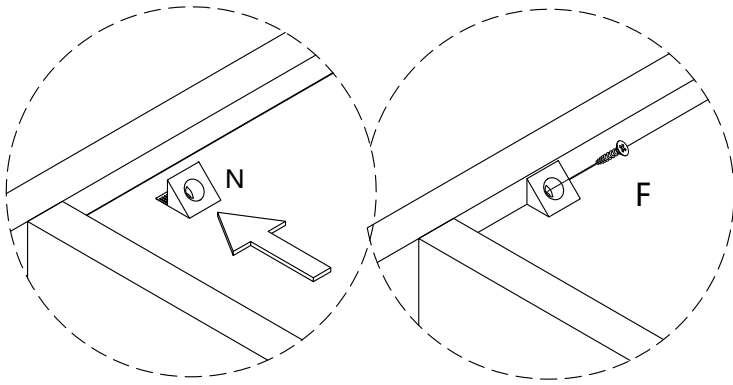


K		F		H	
	4PCS	Φ3.5x14MM	16PCS	Φ3.5x12MM	8PCS



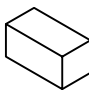
Step 17



Step 18



If the sliding wave board is not smooth, wax blocks can be applied to the grooves

F  Φ3.5x14MM 16PCS	N  16PCS	Q  1PC
---	---	---