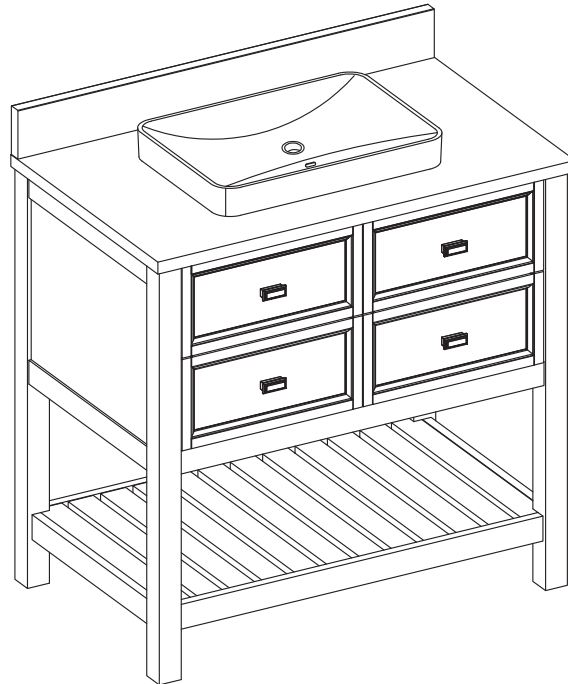


welcoming • sophisticated • inspiring



MODEL NUMBER	DESCRIPTION
1227VA-36-201-900-SR	CANTERBURY WHITE 36-IN VANITY MARBLE TOP-SR
1227VA-36-201-901-SR	CANTERBURY WHITE 36-IN VANITY WHITE TOP-SR
1227VA-36-242-900-SR	CANTERBURY LT GRAY 36-IN VANITY MARBLE TOP-SR
1227VA-36-242-901-SR	CANTERBURY LT GRAY 36-IN VANITY WHITE TOP-SR

---

## 36-IN VANITY WITH TOP

ITEM #3839321; 3839322; 3839323; 3839324

MODEL #1227VA-36-201-900-SR; 1227VA-36-201-901-SR; 1227VA-36-242-900-SR; 1227VA-36-242-901-SR

**ATTACH YOUR RECEIPT HERE**

Serial Number \_\_\_\_\_ Purchase Date \_\_\_\_\_

---

**Questions, problems, missing parts?** Before returning to your retailer, call our customer service department at 1-866-439-9800, 8 a.m. - 8 p.m., EST, Monday - Sunday.

**TABLE OF CONTENTS FOR OPTION 1 (Semi-Recessed Sink)**

---

Package Contents.....3

Hardware Contents.....3

Safety Information.....3

Preparation.....4

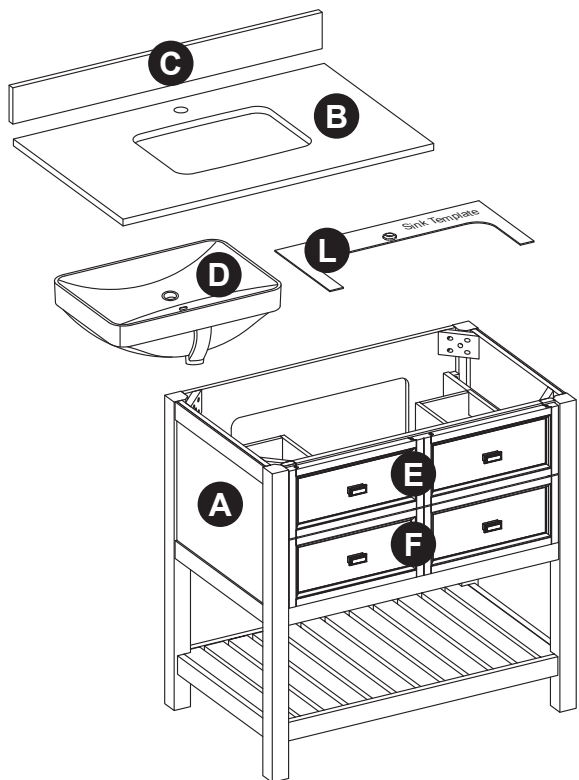
Assembly or Installation Instructions.....4

Care and Maintenance.....9

Warranty.....9

Replacement Parts List.....10

## PACKAGE CONTENTS (Semi-Recessed Sink)



PART	DESCRIPTION	QUANTITY	CARTON
A	Vanity	1	Box 2 of 3
B	Top	1	Box 1 of 3
C	Backsplash	1	
D	Sink	1	Box 3 of 3
E	Top Drawer (preassembled to vanity(A))	1	Box 2 of 3
F	Bottom Drawer (preassembled to vanity(A))	1	
L	Sink Template	1	Box 1 of 3

## HARDWARE CONTENTS (NOT SHOWN ACTUAL SIZE)

CC



Touch Up Pen  
Qty. 1

JJ



Allen Wrench  
Qty. 1

### **!** SAFETY INFORMATION

Please read and understand this entire manual before attempting to assemble, operate or install the product.

### **!** WARNING

- Some steps are more easily handled with 2 adults.

### CAUTION

- Use care when assembling the vanity; take your time and follow the assembly instructions closely.

**KEEP THESE INSTRUCTIONS FOR FUTURE REFERENCE.**

## PREPARATION

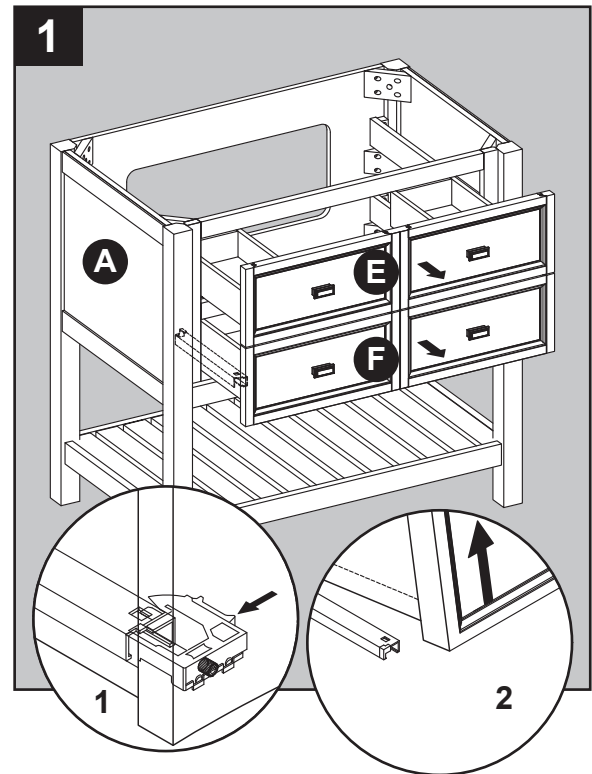
Before beginning assembly of product, make sure all parts are present. Compare parts with package contents list and hardware contents list. If any part is missing or damaged, do not attempt to assemble the product.

**Estimated Installation Time:** 45 minutes (24 hours for silicone caulk to dry).

Tools Required for Installation (not included): Phillips screwdriver, utility knife or scissors, silicone caulk, power drill with drill bit, measuring tape, level

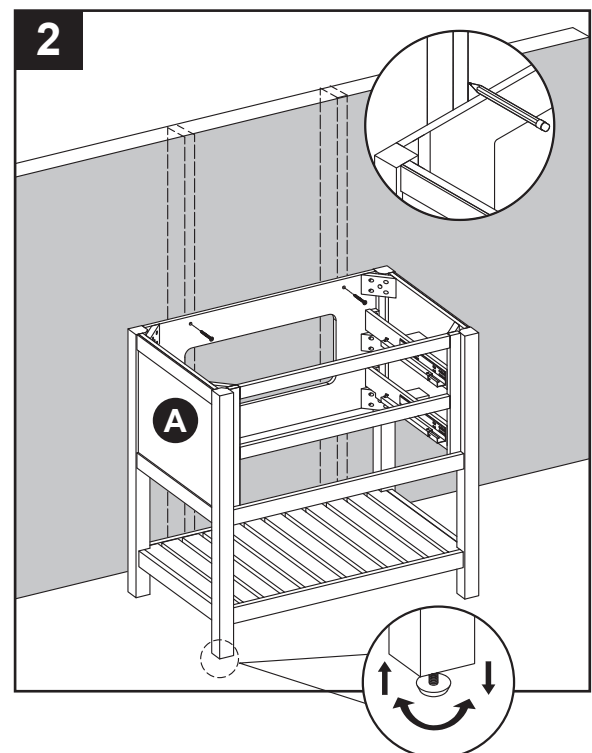
## INSTALLATION INSTRUCTIONS (Semi-Recessed Sink)

1. To remove drawers (E,F) from vanity base (A), fully extend drawers and locate the plastic levers on left and right sides of the metal glide tracks. Push the plastic levers, on both sides, at the same time, This will disengage the drawer box from the glides. Gently lift up on the drawer to remove it from the glide tracks. Set aside as these will be re-installed.



**Note:** The vanity (A) is preassembled for easy installation purpose. But the assembly might become loss and unstable after transportation. Please use the allen wrench (JJ) (Included in the hardware bag) to tighten all the bolts on the inside of the legs and shelf before mounting it to the wall.

2. Clean area where the vanity (A) will be permanently located prior to beginning installation, ensuring the vanity (A) will not interfere with any water supply and drain lines once mounted. Locate wall studs and mark locations. With the help of another adult, place completed Vanity Cabinet Assembly in its final location. Adjust the height of the Vanity Cabinet (A) by twisting the adjustable leveler foot pins on the bottom of each leg. Twist clockwise to decrease height or twist counter-clockwise to increase vanity height.



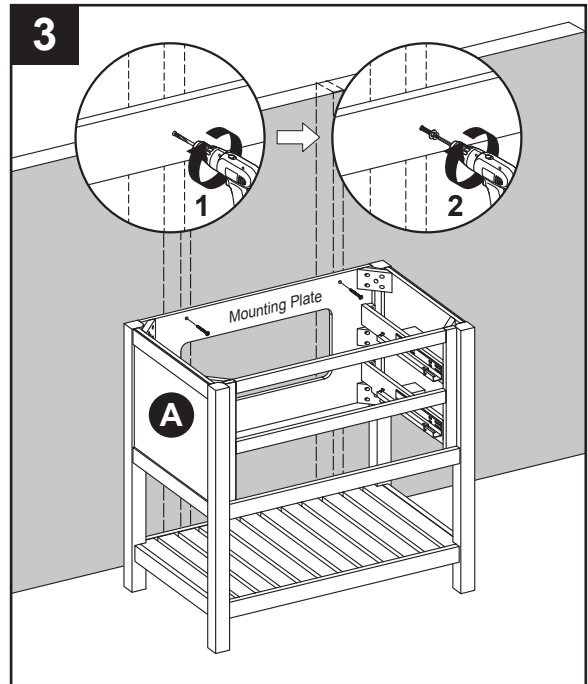
## INSTALLATION INSTRUCTIONS (Semi-Recessed Sink)

3. Using hardware appropriate for your wall type (not included), secure Vanity Cabinet (A) to two wall studs anywhere through the Vanity Mounting Plates. Be careful not to disturb any electrical or water lines that may be concealed in the wall.

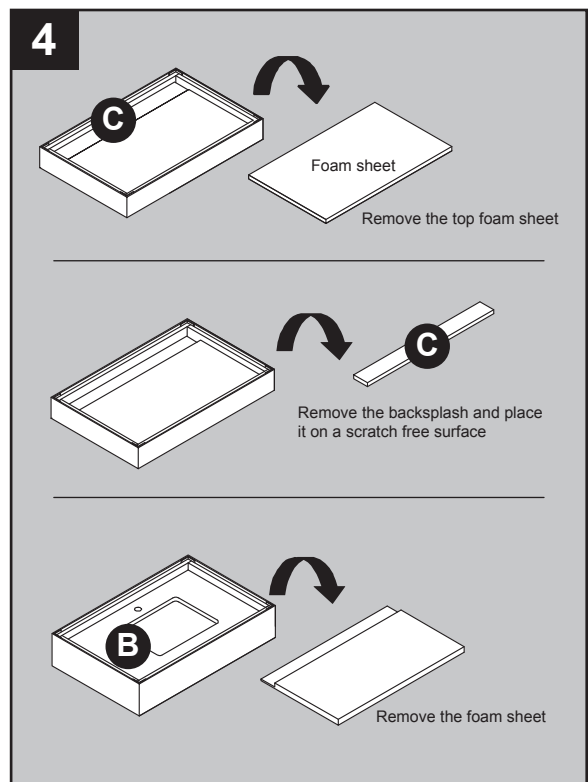


### WARNING

Vanity (A) **MUST** be secured to the wall.



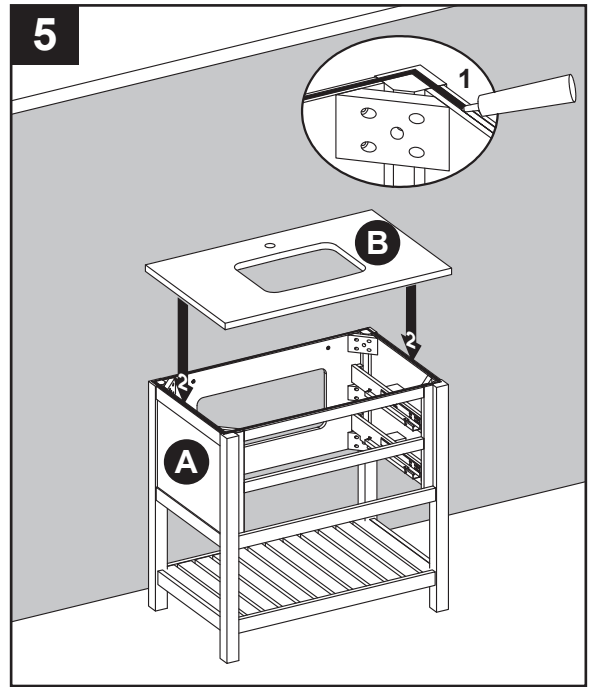
4. Take out the top (B) and backsplash (C) according to the steps indicated by the drawings on the right, and place them face up onto a scratch free surface such as a foam sheet that came in the packaging.



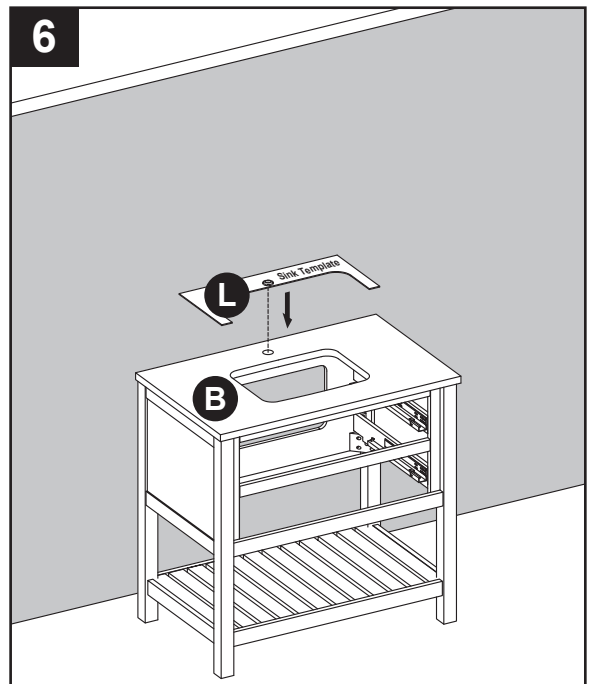
## INSTALLATION INSTRUCTIONS (Semi-Recessed Sink)

**Note:** At this stage it may be easier to install the faucet and drain kit (not included) to top (B) per the manufacturer's instructions, before moving on to Step 5.

5. Apply stain free silicone caulk (not included) to the top edge of vanity (A). With the help of another adult, gently lower top (B) onto the vanity (A). Wipe away any excess caulk with a soft cloth, and wait approximately 24 hours for it to dry.

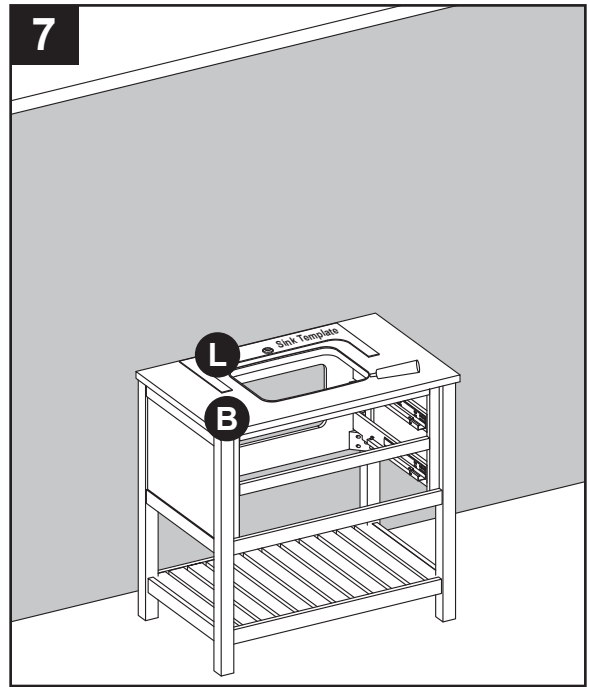


6. Put the sink template (L) on the top (B). The hole in the cardboard needs to be aligned with the hole in the stone top. Make sure the sink template and stone top are flush along the back edge.



## INSTALLATION INSTRUCTIONS (Semi-Recessed Sink)

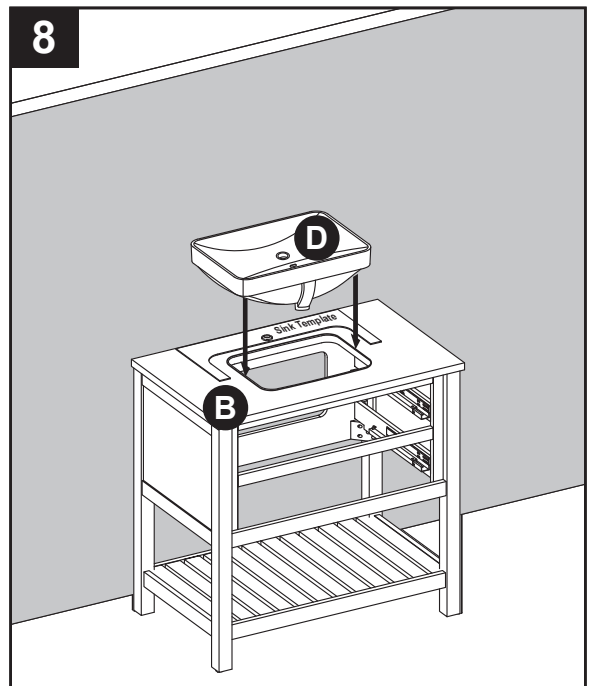
7. Apply a thin bead of silicone caulk (not included) onto the stone top close to the edge of the sink cut out as pictured.



8. With the help of another adult, Gently lower the sink onto the stone top using even pressure to set the sink properly.

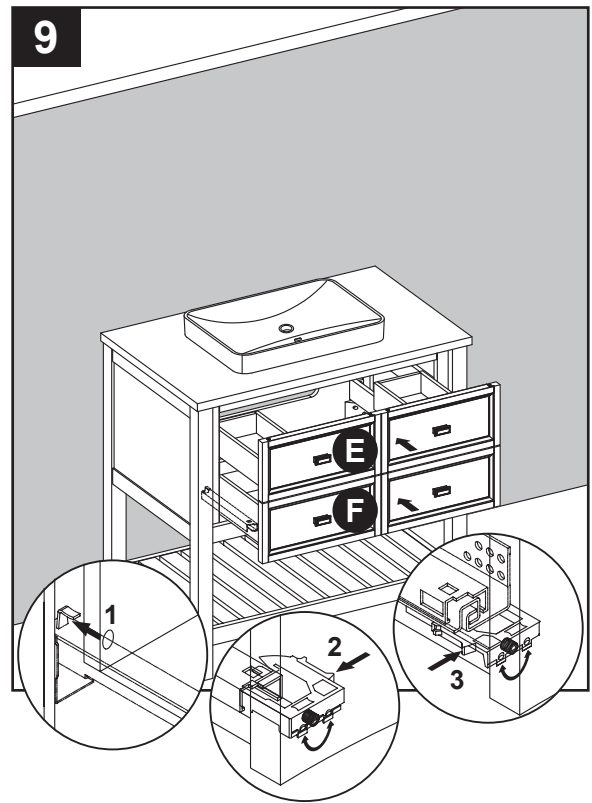
**Make sure the sink over-flow hole is at the front of wood cabinet.**

If some silicone caulk has over-flowed please clean it up at that time with water.



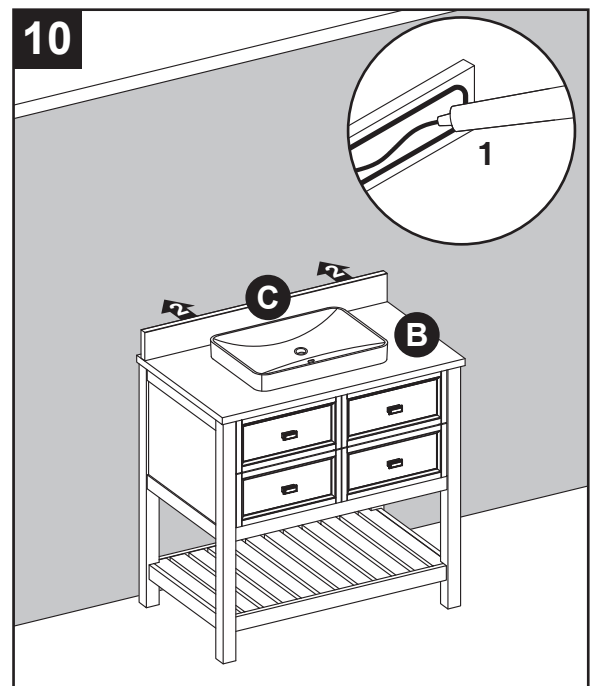
## INSTALLATION INSTRUCTIONS (Semi-Recessed Sink)

9. To re-install top drawer (E) and bottom drawer (F). Fully extend lower drawer glide tracks. With the help of another adult, hold the extended glide in one hand and the drawer in the other. Gently place the back of the drawer box into the metal hook located on the back of the drawer track. Once the glide hook has been slide into the hole in the back of the drawer box, gently lower the drawer box down onto the extended glide tracks. At the same time depress both of the glide handles and allow the drawer box to fully rest on the glide tracks. Test to see if the drawer box is fully engaged. If the drawer box can still be lifted off the glide track then start again from the beginning. Never force anything or else damage to the drawer or glide hardware could result. Repeat for remaining drawers. The drawers location can be adjusted slightly up or down by twisting the adjuster knob next to the glide handles.



10. Apply silicone caulk (not included) to unpolished side and bottom of backsplash (C). Position backsplash (C) on top (B) and against wall. Clean any excess caulk before allowing to dry.

Assembly is now complete. Install desired faucet and drain assemblies (neither included) per the manufacturers' instructions to complete the installation.



## CARE AND MAINTENANCE

---

- Dust the vanity regularly with a soft, non-lint producing cloth or household dusting product.
- You can clean the vanity with a gentle, non-abrasive household cleaner.
- Make sure to dry the wood immediately with a soft cloth or towel.
- The ceramic sink can be cleaned using standard ceramic cleaning agents available at your local supplier.
- Tips for using touch-up pen (CC): For scratches, stroke in direction of scratch; for worn areas, stroke in direction of wood grain. Rub off excess colorant promptly with a soft cloth.

### IMPORTANT

- Shade variations and patterns are an inherent characteristic of stone (e.g. granite, marble, engineered stone). Stone tops will vary from product to product. Use caution placing items such as soap or any fragranced material on the stone surface. Use a soap dish, coaster or similar item to protect the surface if placing any soap or fragranced products on the stone.
- If soap or fragranced products come in contact with the stone top, rinse the surface with water and dry using a soft non-abrasive cloth.
- **WARNING:** Must use cleaning agents safe for stone. Check your cleaning agents use restrictions before using on any stone. Damage to the stone may result. Vanity Manufacturer not responsible for damage caused by improper cleaning agents or soaps used. Warranty will not cover damage caused by the use of improper soaps or cleaning agents.
- **DO NOT** use products to clean the stone top that contain acetone, lemon, vinegar or other acids as these may cause damage to the stone surface.
- Periodically reseal the stone top using an appropriate stone sealer available from your local home store. Follow the manufacturer's directions on how to apply.

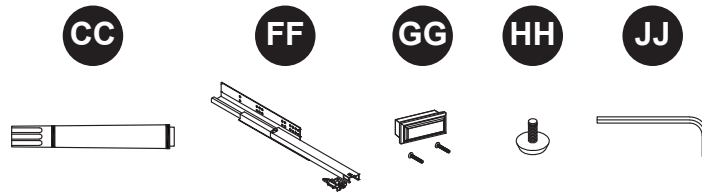
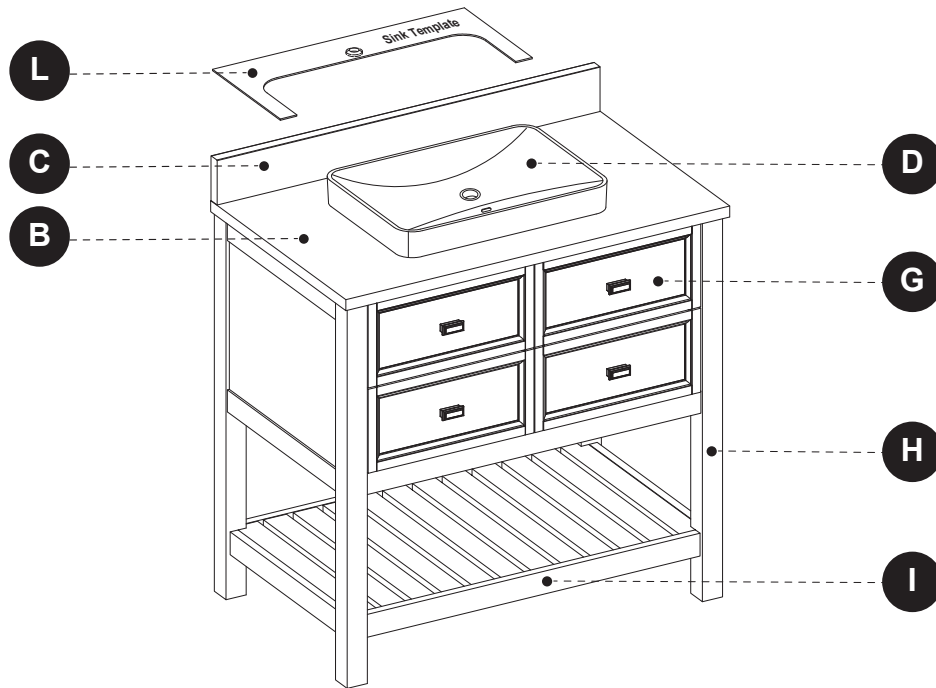
### WARRANTY

---

The manufacturer warrants this item against defects in materials and workmanship for a period of one (1) year from the date of original retail purchase. This warranty applies only to the original purchaser. This warranty does not apply to any damage on the product by accident, misuse, or modified, improper installation or by affixing accessories not produced by the manufacturer. The manufacturer will not be held liable for damages caused from cleaners or soaps that etch or stain the stone top. The manufacturer is not accountable whatsoever for product installation during the warranty period. There is no further expressed warranty. The manufacturer shall not be legally responsible for incidental, consequential or special damages arising at or in connection with product use or performance except as may otherwise be accorded by law. The manufacturer disclaims any and all implied warranties.

## REPLACEMENT PARTS LIST FOR 1227VA-36-201-SR (Semi-Recessed Sink)

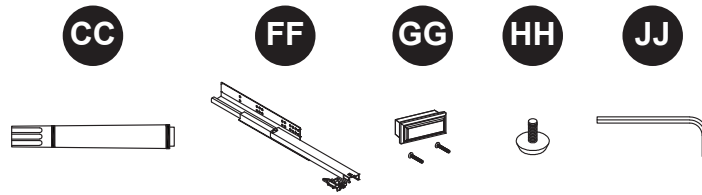
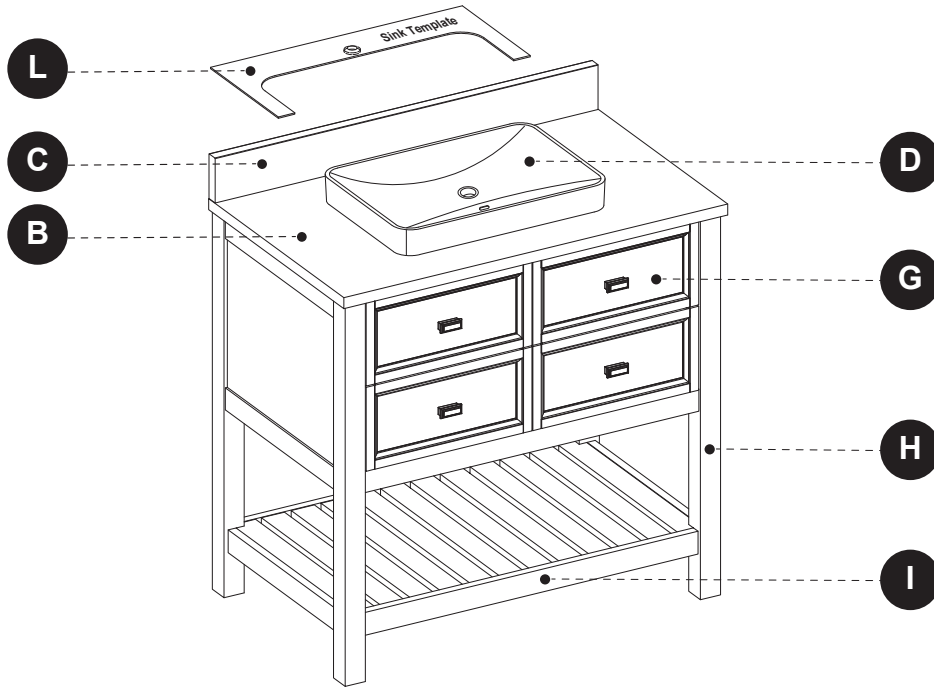
For replacement parts, call our customer service department at 1-866-439-9800, 8 a.m. - 8 p.m., EST, Monday - Sunday.



PART	DESCRIPTION	PART #
B	Complete Set 36" Carrara Marble Top	3550VT-36-900
	Complete Set 36" Engineered White Top	3550VT-36-901
C	36" Carrara Marble Backsplash	PUBS-25-900-36
	36" Engineered White Backsplash	PUBS-25-901-36
D	Sink	SN047B
G	Drawer Front	1227VB-36-201-001
H	Leg	PU17-1227-201-LEG
I	Shelf	1227VB-36-201-002
L	Sink Template	SN047B-TEMPLATE
CC	Touch Up Pen	OF-0010
FF	Drawer Glide	PUDTC-14X3-HANDLE
GG	Drawer Handle	CF-32-003-BN
HH	Leveler	T-1007
JJ	Allen Wrench	PU16-5-AW

## REPLACEMENT PARTS LIST FOR 1227VA-36-242-SR (Semi-Recessed Sink)

For replacement parts, call our customer service department at 1-866-439-9800, 8 a.m. - 8 p.m., EST, Monday - Sunday.



PART	DESCRIPTION	PART #
B	Complete Set 36" Carrara Marble Top	3550VT-36-900
	Complete Set 36" Engineered White Top	3550VT-36-901
C	36" Carrara Marble Backsplash	PUBS-25-900-36
	36" Engineered White Backsplash	PUBS-25-901-36
D	Sink	SN047B
G	Drawer Front	1227VB-36-242-001
H	Leg	PU17-1227-242-LEG
I	Shelf	1227VB-36-242-002
L	Sink Template	SN047B-TEMPLATE
CC	Touch Up Pen	OF-0120R
FF	Drawer Glide	PUDTC-14X3-HANDLE
GG	Drawer Handle	CF-32-003-BN
HH	Leveler	T-1007
JJ	Allen Wrench	PU16-5-AW