



ITEM #2808322 / #2808323

ACRYLIC ROOM DIVIDER

37.75-in W×72-in H×35.5-in D/
41.75-in W×60-in H×35.5-in D

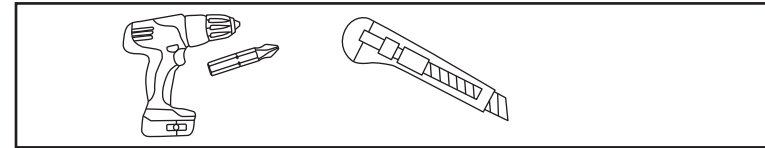
MODEL #55410 / #55411

PREPARATION

Before beginning assembly of product, make sure all parts are present. Compare parts with package contents list and hardware contents list. If any part is missing or damaged, do not attempt to assemble the product.

Estimated Assembly Time: 5 minutes

TOOLS REQUIRED



Thank you for purchasing this Reliabilt™ product. We've created these easy-to-follow instructions to ensure you spend your time enjoying the product instead of putting it together. But, if you need more information than what is provided here, please visit Lowes.com, search the item number and refer to the Guides & Documents tab on the product's page.

If the item is no longer for sale, or if you have any questions or problems, please call our customer service department at 1-866-386-7941, 8 a.m. - 8 p.m., EST, Monday to Sunday. You could also contact us at partsplus@lowes.com or visit www.lowespartsplus.com.

Printed in USA

RR20324

TROUBLESHOOTING

| PROBLEM | POSSIBLE CAUSE | CORRECTIVE ACTION |
|---|---------------------------------------|---|
| Difficulty tightening screws that hold connectors to the bottom of the panel. | The wrong size screws are being used. | Place proper screws in each hole (per diagram in the instructions). |

CARE AND MAINTENANCE

To clean the acrylic, use a commercial plastic cleaner or mild soap and water. Apply cleaner with a non-abrasive, lint-free or microfiber cloth that won't scratch the surface. Avoid ammonia-based products because they contain harmful chemicals that will damage the surface leaving a cloudy appearance.

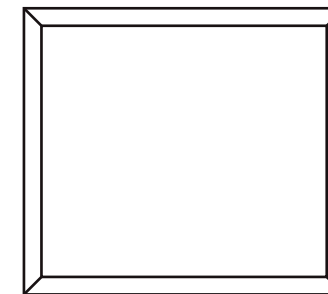
SAFETY INFORMATION

CAUTION

- Wear protective gloves during assembly.
- Wear safety goggles during assembly.

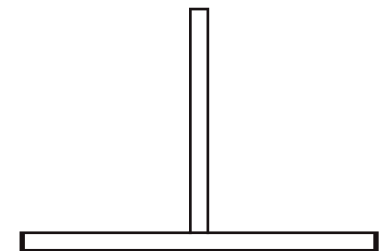
PACKAGE CONTENTS

A



Frame Panel × 1

B

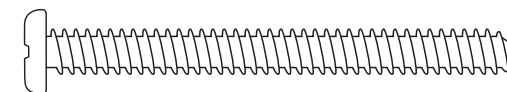


Legs × 2

HARDWARE CONTENTS

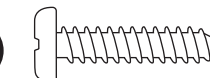
Note: Hardware shown actual size.

AA



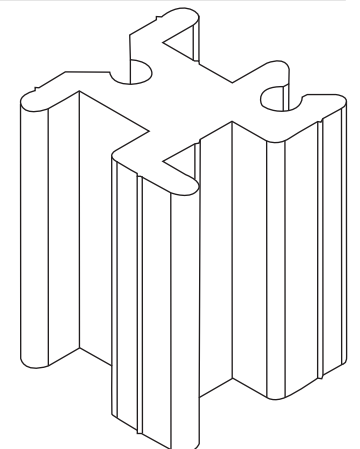
#12 × 2-1/2" screw × 2

CC



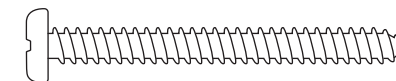
#10 × 1" screw × 2

DD



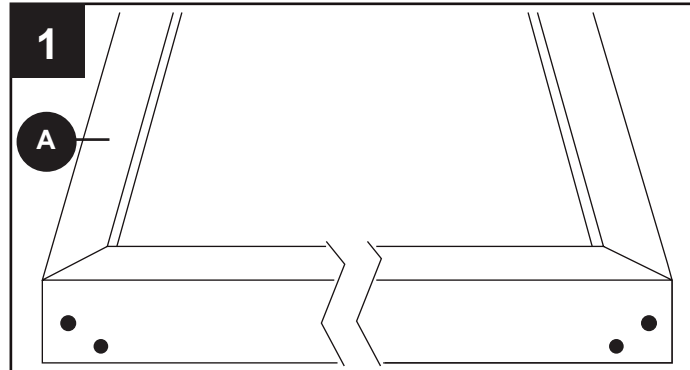
Leg Connector × 2

BB



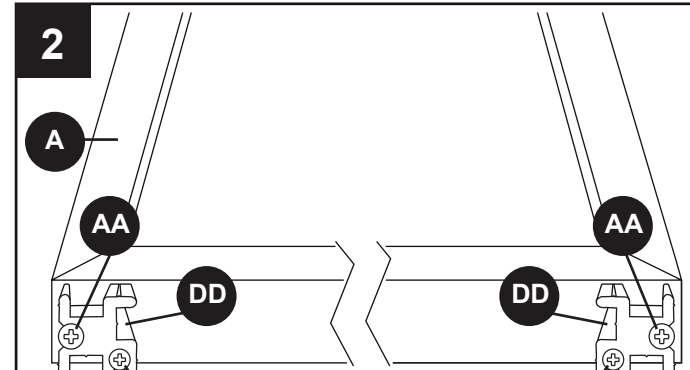
#10 × 2" screw × 2

INSTALLATION OVERVIEW



1

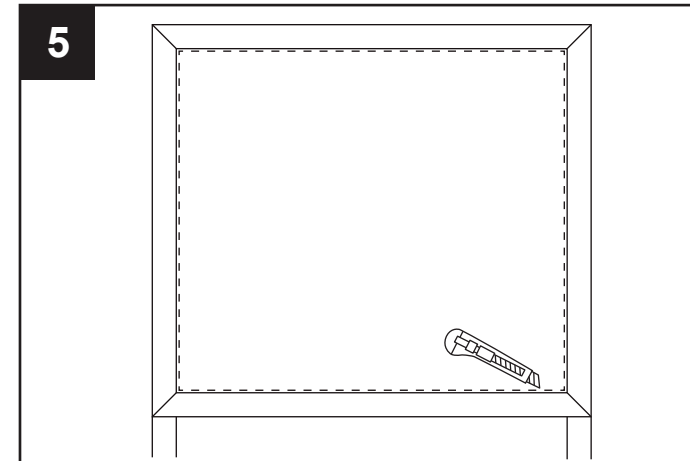
Note: Lay frame panel (A) on a flat surface. Note location of pre-drilled holes.



2

Note: Secure connectors (DD) to bottom of frame panel (A) with screws (AA) and (BB) – one of each used per connector. Tighten screws securely into pre-drilled holes with power Phillips head screwdriver.

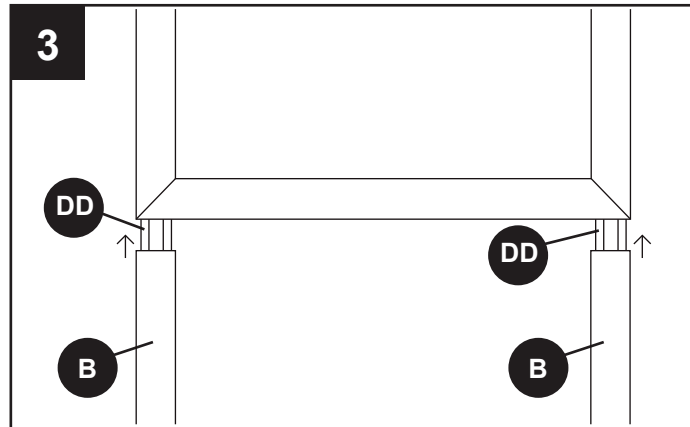
INSTALLATION OVERVIEW



5

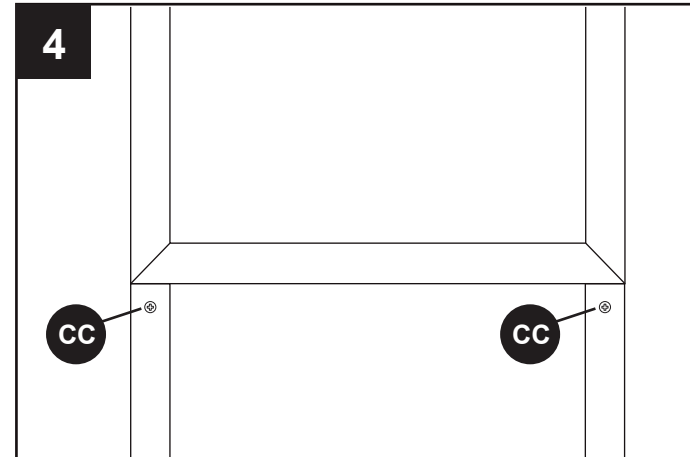
Note: Gently score protective film on acrylic along edge of aluminum frame with utility knife. Peel off protective film and discard. Repeat on both sides.

QUICK REFERENCE GUIDE



3

Note: Slide legs (B) onto connectors (DD). The channels on the leg uprights should face toward the inside of the frame. The two legs are not interchangeable. If a leg won't slide onto the connector, use the other leg.



4

Note: Insert 1" screws (CC) into pre-drilled holes in legs. Tighten screws securely with power Phillips head screwdriver.

QUICK REFERENCE GUIDE