

PRODUCT SPECIFICATIONS

OVERALL ASSEMBLED DIMENSIONS

HEIGHT: 84 CM (34-1/4"),
LENGTH: 30.5 CM (12"), WIDTH: 30.5 CM (12").

PUMP: UL APPROVED FOR WET LOCATION, MODEL: WP-450, SUBMERSIBLE FOUNTAIN PUMP. INPUT: 120 V.

FOUNTAIN BODY: PAINTED RESIN. 30.5 CM (12") SQ. x 84 CM (34-1/4") HEIGHT. SHAPED AS SHOWN.

POWER CORD: UL LISTED, MIN 3 M (10 FT.) LENGTH, BLACK COLOR. WIRES MUST BE LEAD FREE.

DECORATIVE RIVER STONES: A BAG OF RIVER STONES (5.5 LBS.) ARE INCLUDED.

LABELS: MANUFACTURING DATE, MODEL # AND COUNTRY OF ORIGIN LABEL PROVIDED.

PACKAGING AND SHIPPING DETAILS

THE FOUNTAIN AND PUMP ARE CAREFULLY WRAPPED IN A PLASTIC BAG AND PLACED SECURELY IN THE INNER PACKING SO THEY CAN NOT MOVE DURING SHIPPING.

THE CARTON IS MADE OF DOUBLE WALL CORRUGATED CARDBOARD "A MA A". BROWN IN COLOR. THE INNER PACKING IS DIE-CUT CARDBOARD AND/OR STYROFOAM SUFFICIENT TO PROTECT AND SECURE THE FOUNTAIN AND MUST PASS THE FEDEX DROP TEST REQUIREMENTS.

EACH CARTON SHALL BE PRINTED WITH A LINE DRAWING AND THE KENROY HOME NAME AND LOGO, MODEL NUMBER AND FINISH, EACH CARTON SHALL BE PROVIDED A UPC LABEL. THE UPC BAR CODE AS FOLLOWS: WDG=053392029746.

OTHER DETAILS

MODEL 50007WDG INSTRUCTIONS ARE TO BE PACKED WITH EACH FOUNTAIN. INSTRUCTIONS MUST BE PRINTED CLEARLY ON QUALITY PAPER.

ALL VISIBLE PARTS MUST MATCH FOUNTAIN FINISH UNLESS OTHERWISE SPECIFIED.

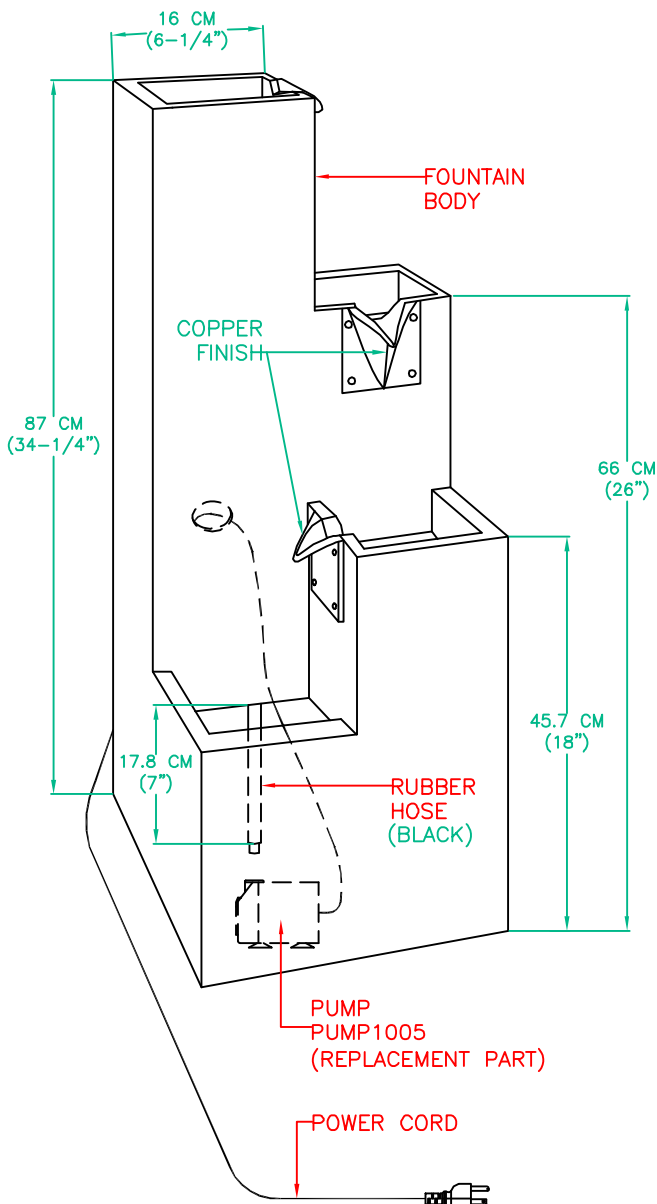
ALL BAGS MUST BE LABELED WITH OFFICIAL "THIS BAG IS NOT A TOY" STATEMENT.

ASSEMBLY TIME: 5 MINUTES.

DIMS OF BOX: 40.6 CM (16") LENGTH x 40.6 CM (16") WIDTH x 100.3 CM (39-1/2") HEIGHT.

NET WEIGHT: 23.7 LBS. GROSS WEIGHT: 29.6 LBS.

THIS FOUNTAIN RATED FOR INDOOR AND OUTDOOR USE.



AVAILABLE PART IS:
PUMP1005 (PUMP)

WE REQUIRED THAT A COLOR PIGMENT CLOSE TO THE FINISH COLOR OF THE FOUNTAIN MUST BE MIXED INTO THE RESIN/MATERIAL PRIOR TO THE MOLD COMPLETION. THIS IS TO ASSURE IF WE HAVE ANY PEELING OF PAINT THE RESIN IS THE SAME COLOR AS THE FINISH OF THIS ITEM.

EACH FOUNTAIN SHOULD HAVE A PIGMENT COLOR REFERENCE CHIP FOR THE UNPAINTED GOODS FOR INSPECTION.

KENROY HOME 11660 CENTRAL PARKWAY JACKSONVILLE, FL. 32224 PHONE: 904-642-4340 FAX: 904-642-4150	THIS DOCUMENT AND THE INFORMATION THAT IT DISCLOSES IS THE EXCLUSIVE PROPERTY OF KENROY HOME. ANY REPRODUCTION OR USE OF THIS DRAWING IN PART OR IN WHOLE, WITHOUT THE EXPRESS CONSENT OF THE PROPRIETOR IS PROHIBITED. © 2010 KENROY HOME.			REVISION DATE:	MODEL #:
	DATE: 2/3/2010	SCALE: NONE	DRAWN BY: JAMES	REVISION DATE:	50007
	REFERENCE: TIMBER INDDOR/OUTDOOR FLOOR FOUNTAIN	APPROVAL:	REVISION DATE:	FINISHES: WDG	PAGE: 1 OF: 1
				REVISION DATE:	