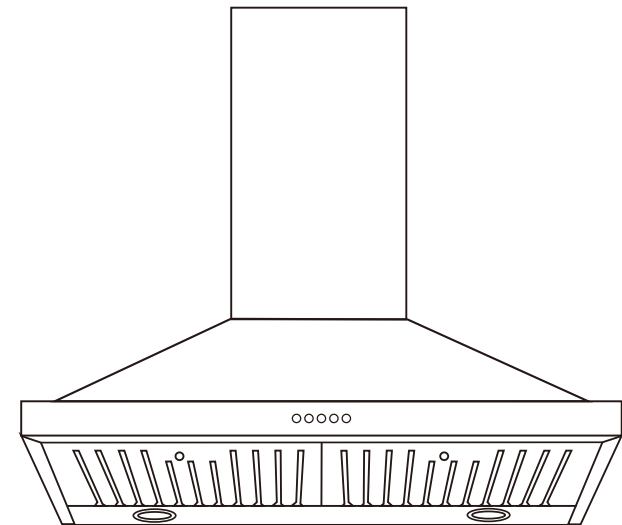


**VIKIO**  
H O M E

info@vikihome.com    www.vikihome.com

**VIKIO**  
H O M E  
PURE AIR . CLEAN KITCHEN .



**INSTALLATION USER MANUAL**

info@vikihome.com / www.vikihome.com

Model Name: RP05    Available Sizes: 24" / 30" / 36"



## THANK YOU FOR YOUR PURCHASE

Thank you for your purchase. We know that you have many brands and products to choose from and we are honored to know that you have decided to take one of our products into your home and hope that you enjoy it.

Before using this product, please read through this manual carefully. Keep this user manual in a safe place for future reference. Please ensure that other persons using this product are familiar with these instructions as well.

If you have any questions or concerns, please reach us online at:  
[info@vikiohome.com](mailto:info@vikiohome.com)

## TABLE OF CONTENTS

<b>RANGE HOOD SAFETY</b> .....	<b>4</b>
Important Safety Instructions .....	5
<b>INSTALLATION REQUIREMENTS</b> .....	<b>7</b>
Tools and Parts .....	7
Location Requirements .....	10
Product Dimensions .....	11
Cabinet Clearances .....	12
Venting Requirements.....	13
Electrical Requirements.....	17
<b>INSTALLATION INSTRUCTIONS</b> .....	<b>18</b>
Prepare Location .....	19
Brackets Installation .....	20
Install Range Hood .....	25
Complete Installation.....	28
<b>RANGE HOOD USE</b> .....	<b>29</b>
Controls.....	29
<b>RANGE HOOD CARE</b> .....	<b>30</b>
Replacing the LED Light .....	31
Replacing the Control Panel .....	32
Replacing the Circuit Board .....	33
FAQ .....	34
TROUBLESHOOTING.....	35

## RANGE HOOD SAFETY

### READ ALL INSTRUCTIONS BEFORE USING THE APPLIANCE

#### Your safety and the safety of others are very important.

We have provided many important safety messages in this manual and on your appliance. Always read and obey all safety messages.



This is the safety alert symbol.

This symbol alerts you to potential hazards that can kill or hurt you and others.

All safety messages will follow the safety alert symbol and either the word "WARNING" or "CAUTION." These words mean:



You can be killed or seriously injured if you don't follow instructions.



A potentially hazardous situation which, if not avoided, could result in minor or moderate injury.

All safety messages will tell you what the potential hazard is, tell you how to reduce the chance of injury, and tell you what can happen if the instructions are not followed.

#### California Proposition 65 Warning



Cancer and Reproductive Harm - [www.P65Warnings.ca.gov](http://www.P65Warnings.ca.gov).

**WARNING:** This appliance is intended for normal indoor residential use. It is not approved for commercial use, outdoor installation, installation over an outdoor BBQ grill, or any other application not specifically allowed by this manual. Damage from improper installation or use of this appliance is not covered by the product warranty.

## IMPORTANT SAFETY INSTRUCTIONS

**WARNING:** TO REDUCE THE RISK OF FIRE, ELECTRIC SHOCK, OR INJURY TO PERSONS, OBSERVE THE FOLLOWING:

- Use this unit only in the manner intended by the manufacturer. If you have questions, contact the manufacturer.
- Before servicing or cleaning the unit, switch the power off at the service panel and lock the service panel to prevent power from being switched on accidentally. When the service disconnecting means cannot be locked, securely fasten a prominent warning device, such as a tag to the service panel.
- Installation work and electrical wiring must be done by qualified person(s) in accordance with all applicable codes and standards, including fire-rated construction.
- Do not operate any fan with a damaged cord or plug. Discard fan or return to an authorized service facility for examination and/or repair.
- Ducted fans must always be vented to the outdoors.
  - **CAUTION:** For general ventilating use only. Do not use to exhaust hazardous or explosive materials and vapors.

- **CAUTION:** To reduce the risk of fire and to properly exhaust air, be sure to duct air outside - do not vent exhaust air into spaces within walls or ceilings, or into attics, crawl spaces or garages.
- Sufficient air is needed for proper combustion and exhausting of gases through the flue (chimney) of fuel burning equipment to prevent backdrafting. Follow the heating equipment manufacturer's guideline and safety standards such as those published by the National Fire Protection Association (NFPA), the American Society for Heating, Refrigeration and Air Conditioning Engineers (ASHRAE), and the local code authorities.
- When cutting or drilling into the wall or ceiling; do not damage electrical wiring and other hidden utilities.

**WARNING:** TO REDUCE THE RISK OF A RANGE TOP GREASE FIRE:

- Never leave surface units unattended at high settings. Boilovers cause smoking and greasy spillovers that may ignite. Heat oils slowly on low or medium settings.

### READ AND SAVE THESE INSTRUCTIONS

## IMPORTANT SAFETY INSTRUCTIONS

- Always turn the hood ON when cooking at high heat or when flambéing food (i.e. Crepes Suzette, Cherries Jubilee, Peppercorn Beef Flambé).
- Clean ventilating fans frequently. Grease should not be allowed to accumulate on the fan or filter.
- Use proper pan sizes. Always use cookware appropriate for the size of the surface element.

**WARNING:** TO REDUCE THE RISK OF INJURY TO PERSONS IN THE EVENT OF A RANGE TOP GREASE FIRE, OBSERVE THE FOLLOWING:\*

- SMOTHER FLAMES with a close fitting lid, cookie sheet, or metal tray, then turn off the burner. BE CAREFUL TO PREVENT BURNS. If the flames do not go out immediately, EVACUATE AND CALL THE FIRE DEPARTMENT.
- NEVER PICK UP A FLAMING PAN - you may be burned.
- DO NOT USE WATER, including wet dishcloths or towels - a violent steam explosion will result.
- Use an extinguisher ONLY if:
  - You know you have a class ABC extinguisher, and you already know how to operate it.

- The fire is small and contained in the area where it started.
- The fire department is being called.
- You can fight the fire with your back to an exit.

\* Based on "Kitchen Fire Safety Tips" published by NFPA.

**WARNING:** TO REDUCE THE RISK OF FIRE, USE ONLY METAL DUCTWORK.

**WARNING:** To reduce the risk of fire or electrical shock, do not use this fan with any solid-state speed control device.

**WARNING:** Do not let children near this appliance. Do not let children play with this appliance. Keep all packaging materials out of children's reach. Properly dispose the packaging materials after this appliance is unpacked.

- The manufacturer declines all responsibility in the event of failure to observe the instructions given here for installation, maintenance, and suitable use of the product.
- The manufacturer further declines all responsibility for injury due to negligence and the warranty of the unit automatically expires due to improper maintenance.

## INSTALLATION REQUIREMENTS

### Tools and Parts

Gather the required tools and parts before starting installation. Read and follow the instructions provided with any tools listed here.

#### Tools Needed

- Level
- Drill with 5/32" (4 mm) and 5/16" (8 mm) drill bits
- Pencil
- Tape measure or ruler
- Phillips screwdriver
- Hand gloves

#### Parts Needed

##### For ducted installations, you will need:

- Duct system
- Duct clamps or HVAC foil tape
- Caulking gun and weatherproof caulking compound

##### For ductless (recirculating) installations, you will need:

- Charcoal filter kit. This spares is not provided, please buy it individually if need.

**READ AND SAVE THESE INSTRUCTIONS**

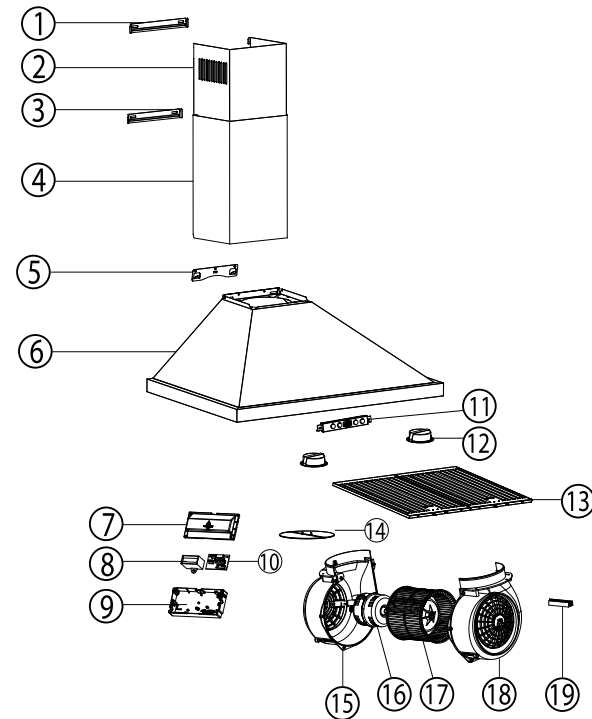
## Parts Supplied

Remove parts from packages. Check that all parts are included.

- Range hood
- Dampers (2)
- Inner chimney (upper vent cover)
- Outer chimney (lower vent cover)
- Range hood (main core) mounting bracket
- Inner chimney support bracket
- Outer chimney support bracket
- 6" round aluminum duct
- 4 x 30 mm mounting screws (11)
- 3 x 10 mm screws (4)
- 8 x 35 mm wall anchors (11)

## RP05-EXPLOSION DIAGRAM

No.	Description	Quantity
1	Upper Chimney Mounting Bracket	1
2	Upper Chimney	1
3	Lower Chimney Mounting Bracket	1
4	Lower Chimney	1
5	Hanger	1
6	Hood Body	1
7	PCB Box Cover	1
8	Capacitor	1
9	PCB Box Fixer	1
10	PCB	1
11	Push Button Assembly	1
12	LED Light	2
13	Baffle Filter	2(24"/30") / 3(36")
14	Damper	2
15	Left Housing	1
16	Motor	1
17	Fan	1
18	Right Housing	1
19	Clip	1



## Location Requirements

### **IMPORTANT:**

- Observe all governing codes and ordinances.

Have a qualified technician install the range hood. It is the installer's responsibility to comply with installation clearances specified on the model/serial/rating plate. The model/serial/rating plate is located inside the range hood on the rear wall of the range hood.

Range hood location should be away from strong draft areas, such as windows, doors, and strong heating vents.

Cabinet opening dimensions that are shown must be used. Given dimensions provide minimum clearance.

Grounded electrical outlet is required. See the "Electrical Requirements" section.

The range hood is factory set for venting through the roof or wall. If it is not possible to vent cooking fumes and vapors to the outside, the range hood can be used in the ductless (recirculating) version. Charcoal filters are required for ductless (recirculating) installations. See "Optional Parts" in the "Tools and Parts" section to order.

All openings in ceiling and wall where range hood will be installed must be sealed.

### **For Mobile Home Installations:**

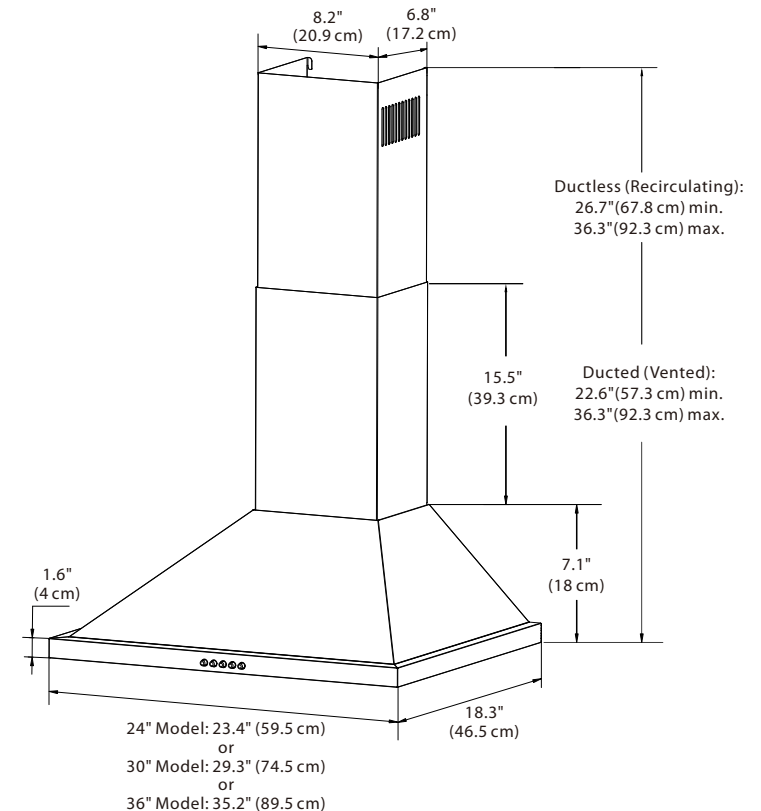
The installation of this range hood must conform to the Manufactured Home Construction Safety Standards, Title 24 CFR, Part 328 (formerly the Federal Standard for Mobile Home Construction and Safety, Title 24, HUD, Part 280) or when such standard is not applicable, the standard for Manufactured Home Installation 1982 (Manufactured Home Sites, Communities and Setups) ANSI A225.1/NFPA 501A or latest edition, or with local codes.

## Product Dimensions

24" Model: RP05-24 / RP05-24B

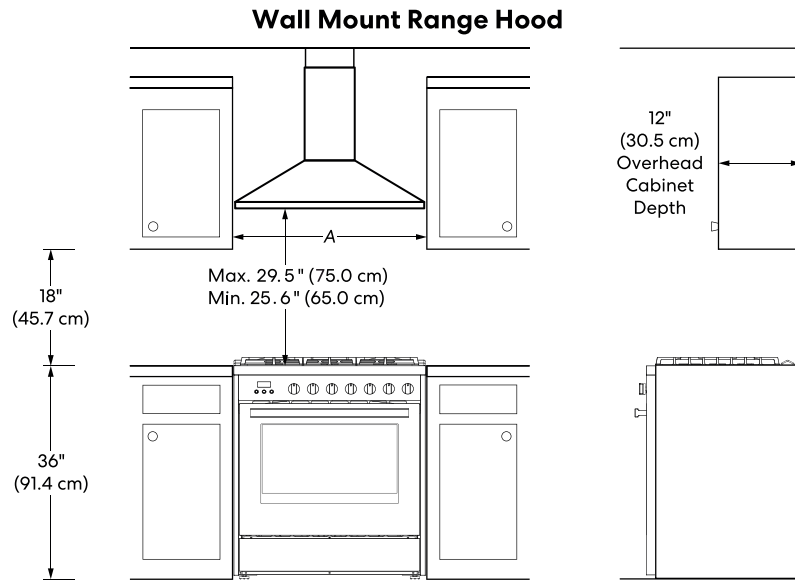
30" Model: RP05-30 / RP05-30B

36" Model: RP05-36 / RP05-36B



## Cabinet Clearances

Given dimensions are minimum clearances.



Model	A
24" Model: RP05-24 / RP05-24B	23.4" (59.5 cm)
30" Model: RP05-30 / RP05-30B	29.3" (74.5 cm)
36" Model: RP05-36 / RP05-36B	35.2" (89.5 cm)

### IMPORTANT:

- 25.6" (65.0 cm) minimum and 29.5" (75.0 cm) suggested maximum clearances between cooking surface and bottom of the range hood.

## Venting Requirements

### (Ducted installations only)

- Duct system must terminate to the outdoors, except for ductless (recirculating) installations.
- Do not terminate the duct system in an attic or other enclosed area.
- Do not use 4" (10.2 cm) laundry-type wall cap.
- Use metal duct only. A rigid metal duct is recommended. Plastic or metal foil duct is not recommended.
- The length of duct system and number of elbows should be kept to a minimum to provide efficient performance.

### For the most efficient and quiet operation:

- Use rigid metal duct.
- Use no more than three 90° elbows.
- Make sure there is a minimum of 25.6" (65.0 cm) of straight duct between the elbows if more than 1 elbow is used.
- Do not install 2 elbows together.
- Use clamps to seal all joints in the duct system.
- The duct system must have a damper. If the roof or wall cap has a damper, do not use the damper supplied with the range hood.
- Use caulking to seal exterior wall or roof opening around the cap.
- The size of the duct should be uniform.

### Cold Weather Installations:

An additional backdraft damper should be installed to minimize backward cold air flow and a thermal break should be installed to minimize conduction of outside temperatures as part of the duct system. The damper should be on the cold air side of the thermal break.

The break should be as close as possible to where the duct system enters the heated portion of the house.

### Makeup Air:

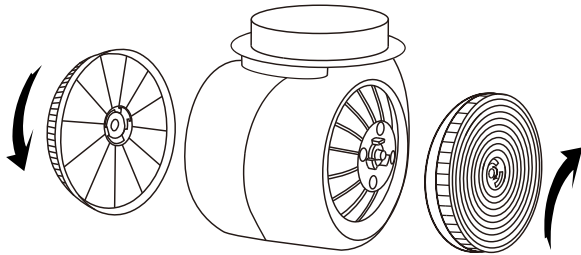
Local building codes may require the use of makeup air systems when using ventilation systems greater than specified CFM of air movement. The specified CFM varies from locale to locale. Consult your HVAC professional for specific requirements in your area.

## Venting Methods

- This range hood is factory set for venting through the roof or through the wall. The exhaust opening is 6" (15.2 cm) round. A 6" (15.2 cm) round duct system is recommended. The duct system needed for installation is not included.
- If it is not possible to vent cooking fumes and vapors to the outside, the range hood can be used in the ductless (recirculating) version, using a charcoal filter kit. This spares is not provided, please buy it individually if need.
- If you need to do a ductless installation, please follow the installation steps without installing an aluminum pipe. And install the charcoal filters.

### HOW TO REPLACE OR CHANGE CHARCOAL FILTERS

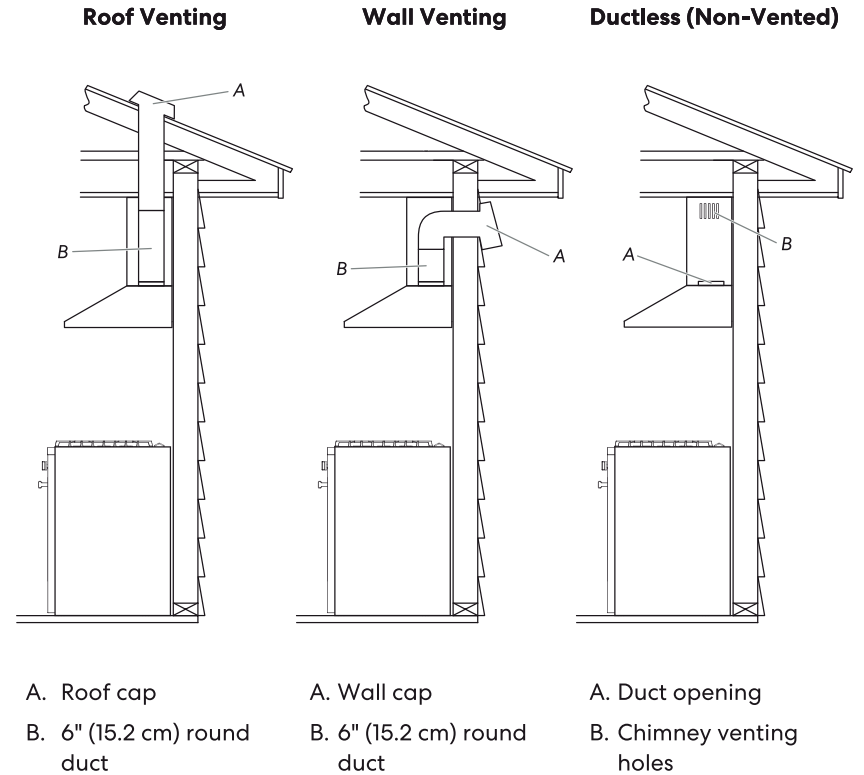
It is recommended to use ducting to direct vent your range hood whenever possible. If you have a recirculating kit installed on your range hood, charcoal filters are available to recirculate the air through your hood.



Scan for a charcoal filter installation tutorial video .

#### NOTE:



- If exhaust ducting is less than 5.91" (15.0 cm) in diameter or if flat ducting is used, the noise level of the range hood may increase and the exhaustion may be less efficient.



## Calculating Duct System Length

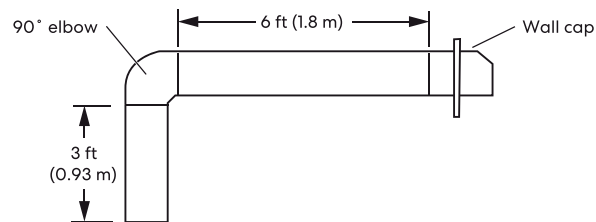
The recommended duct system is 6" (15.2 cm) round duct with a maximum length of 35 ft (10.7 m). For the best performance, use no more than three 90° elbows.

To calculate the length of the system you need, add the equivalent feet (meters) for each duct piece used in the system.

Duct Piece	6" (15.2 cm) Round	
45° elbow	2.5 ft (0.8 m)	
90° elbow	5.0 ft (1.5 m)	

Maximum equivalent duct length is 35 ft (10.7 m).

### Example Duct System - 6" (15.2 cm)



Maximum length	= 35 ft (10.7 m)
1 - 90° elbow	= 5.0 ft (1.5 m)
1 - wall cap	= 0.0 ft (0.0 m)
6 ft (1.8 m) straight	= 6.0 ft (1.8 m)
3 ft (0.9 m) straight	= 3.0 ft (0.9 m)
System length	= 14.0 ft (4.3 m)

## Electrical Requirements

Observe all governing codes and ordinances.

Ensure that the electrical installation is adequate and in conformance with National Electrical Code, ANSI/NFPA 70 (latest edition), or CSA Standards C22.1-94, Canadian Electrical Code, Part 1 and C22.2 No. 0-M91 (latest edition) and all local codes and ordinances.

If codes permit and a separate ground wire is used, it is recommended that a qualified electrician determine that the ground path is adequate.

A copy of the above code standards can be obtained from:

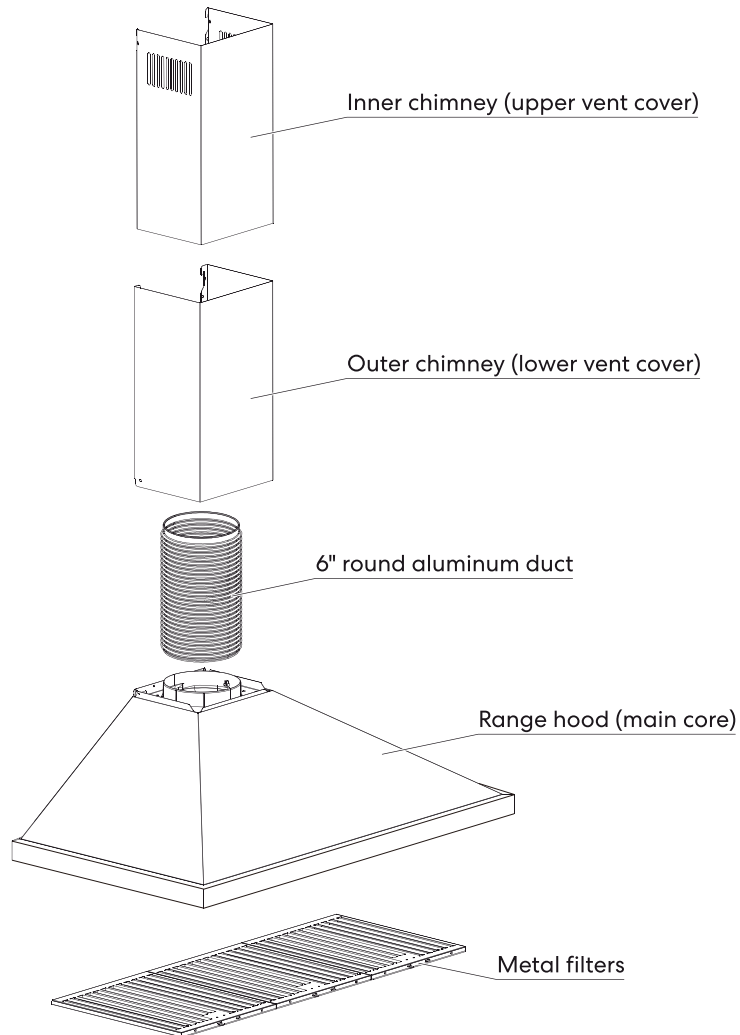
National Fire Protection Association  
1 Batterymarch Park  
Quincy, MA 02169-7471

CSA International  
8501 East Pleasant Valley Road  
Cleveland, OH 44131-5575

- A 120-volt, 60 Hz., AC-only, 2-amp, fused electrical circuit is required.
- If the house has aluminum wiring, follow the procedure below:
  - Connect a section of solid copper wire to the pigtail leads.
  - Connect the aluminum wiring to the added section of copper wire using special connectors and/or tools designed and UL Listed for joining copper to aluminum.
  - Follow the electrical connector manufacturer's recommended procedure. Aluminum/copper connection must conform with local codes and industry accepted wiring practices.
- Wire sizes and connections must conform with the rating of the appliance as specified on the model/serial/rating plate. The model/serial/rating plate is located behind the left filter on the rear wall of the range hood.
- Wire sizes must conform to the requirements of the National Electrical Code, ANSI/NFPA 70 (latest edition), or CSA Standards C22. 1-94, Canadian Electrical Code, Part 1 and C22.2 No. 0-M91 (latest edition) and all local codes and ordinances.

# INSTALLATION INSTRUCTIONS

RP05



## Prepare Location

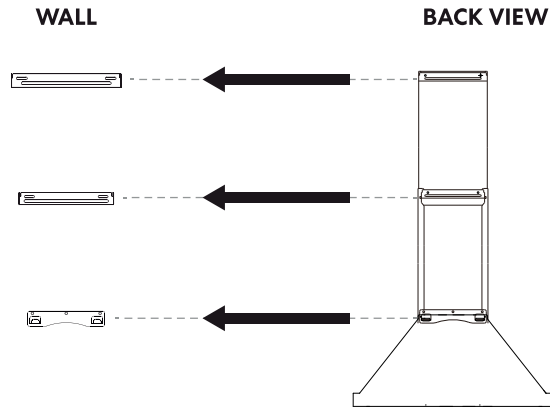
- It is recommended that the duct system be installed before the range hood is installed.
- Before making cutouts, make sure there is proper clearance within the ceiling or wall for duct fittings.
- Remove installations parts carefully. Wear hand gloves to protect against sharp edges.
- Remove the foams, tapes, and protective films covering the product before putting it into operation.
- Confirm that all installations parts have been removed from the shipping carton and the range hood canopy.

### **⚠ WARNING EXCESSIVE WEIGHT HAZARD**

- Use two or more people to move and install range hood.
- Failure to do so can result in back or other injury.

1. Disconnect power.
2. Determine which venting method to use: roof, wall, or ductless.
3. Select a flat surface for assembling the range hood. Place covering over that surface.
4. Using 2 or more people, lift range hood onto covered surface.

## Brackets Installation



### Range Hood Mounting Bracket

#### **⚠ WARNING EXCESSIVE WEIGHT HAZARD**

- Use two or more people to move and install range hood.
- Failure to do so can result in back or other injury.

1. Determine and mark the vertical centerline on the wall where the range hood will be installed.
2. Select a mounting height between a minimum of 25.6" (65.0 cm) and a suggested maximum of 29.5" (75.0 cm) above the cooktop/range to the bottom of the range hood. Mark a horizontal line on the wall referencing the bottom of the range hood.

#### **NOTE:**

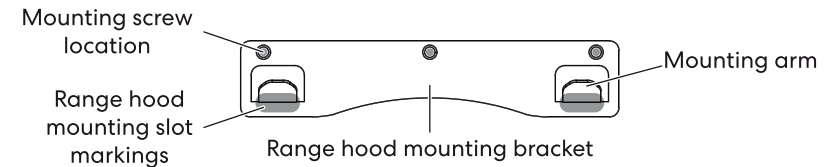
- Make sure the chimney can reach the ceiling. For wall venting, it is not necessary for the chimney to be in contact with the ceiling.

3. Place range hood on the wall above the horizontal reference line, and make sure it is level. Mark the mounting slots on back of range hood on the wall, and rest range hood on covered surface.

4. Align the mounting arms on range hood mounting bracket with the mounting slot markings on the wall, and make sure it is level. Mark centers of the (3) mounting screw locations on the wall.

#### **IMPORTANT:**

- All mounting screws must be installed into wood stud where possible. If there is no wood stud to screw into, additional wall framing supports may be required, or use the 8 x 35 mm wall anchors with the 4 x 30 mm screws.



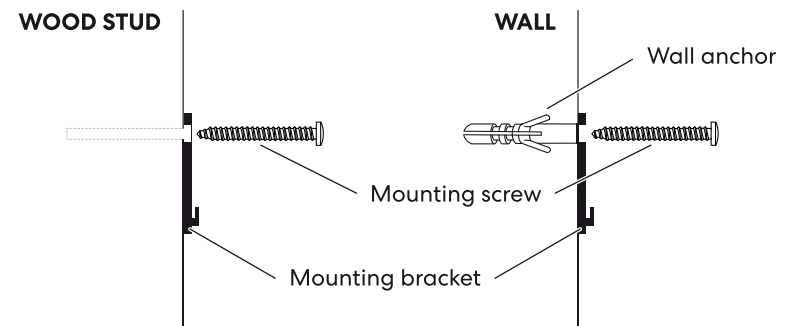
5. For wood, drill 5/32" (4mm) pilot holes at all locations where mounting screws are being installed into wood.

For wall anchors, drill 5/16" (8 mm) holes at all locations where wall anchors are being used.

6. Secure the mounting bracket on the wall with (3) mounting screws.

For wood, install the 4 x 30 mm mounting screws.

For wall anchors, install the 8 x 35 mm wall anchors and install the 4 x 30 mm mounting screws into the wall anchors.



## Chimney (Vent Cover) Support Brackets

### **⚠ WARNING** EXCESSIVE WEIGHT HAZARD

- Use two or more people to move and install range hood.
- Failure to do so can result in back or other injury.

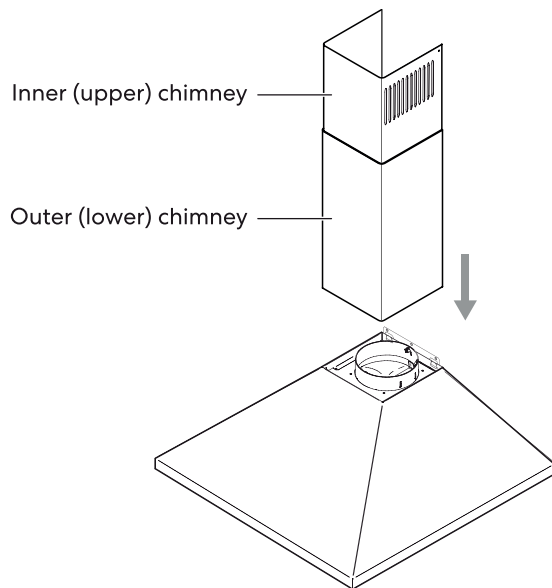
### IMPORTANT:

- The inner (upper) chimney support bracket is slightly longer than the outer (lower) chimney support bracket.

1. Using 2 or more people, hang range hood on mounting bracket through the mounting slots on back of range hood.
2. Place both inner (upper) and outer (lower) chimneys onto hood. The inner chimney must slide into the outer chimney.

### NOTE:

- To help prevent scratches, lay paper or a kitchen towel over the top edges of the outer (lower) chimney to protect the surface.

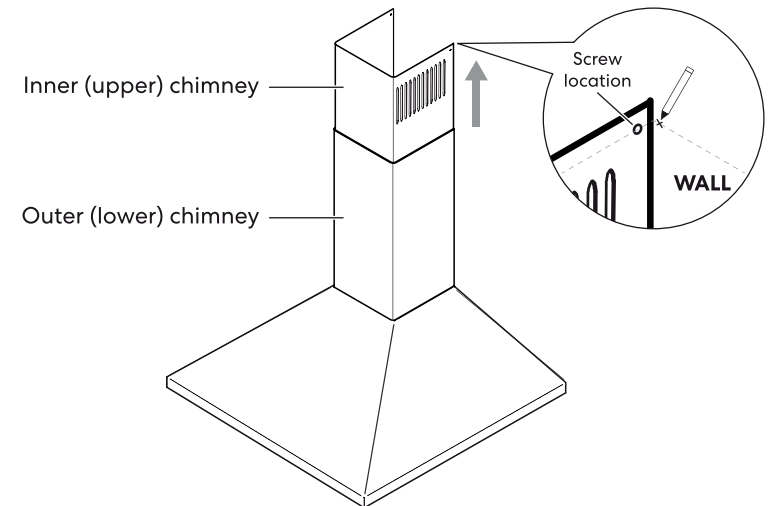


22

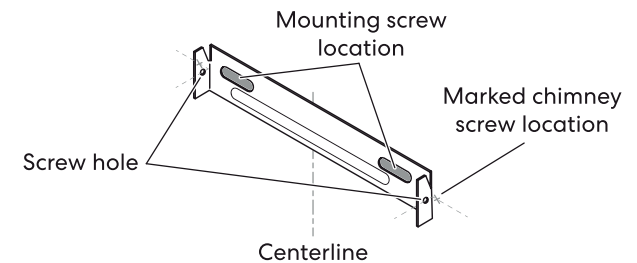
3. Lift inner (upper) chimney to ceiling. Using a pencil, mark on the wall adjacent to the inner chimney the center of the screw locations near the top on both sides of the inner chimney. Carefully slide the inner (upper) chimney down.

### NOTE:

- For ductless (recirculating) installations, the venting holes near the top of the inner (upper) chimney should be exposed from the outer (lower) chimney to allow air recirculation.

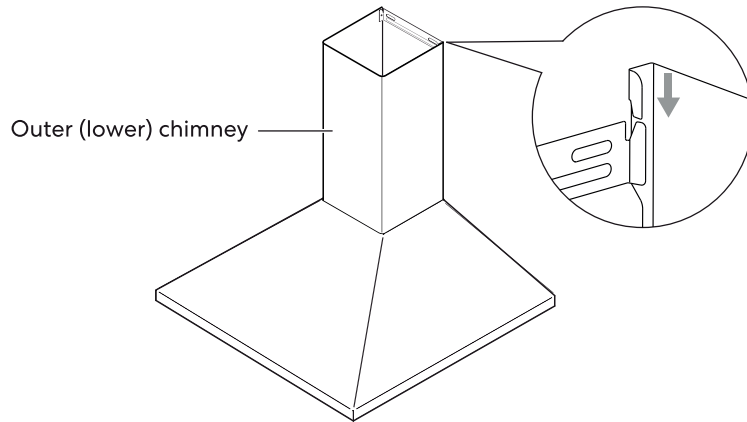


4. Align the center of the inner chimney support bracket with the centerline on the wall, and align the screw hole on both sides of the support bracket with the previously marked inner (upper) chimney screw locations on the wall. Make sure the support bracket is level, and mark the (2) mounting screw locations.



23

5. Position the outer chimney support bracket on the wall with the top of the outer chimney hooking onto the support bracket on both sides. Align the center of the support bracket with the centerline on the wall, and make sure it is level. Mark the (2) mounting screw locations of the support bracket.



6. Rest chimneys and range hood on covered surface.

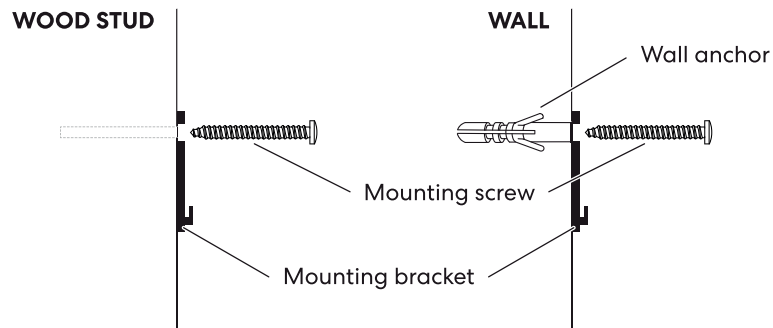
For wood, drill 5/32" (4mm) pilot holes at all locations where mounting screws are being installed into wood.

For wall anchors, drill 5/16" (8 mm) holes at all locations where wall anchors are being used.

7. Attach chimney support brackets to the wall with (2) mounting screws each.

For wood, install the 4 x 30 mm mounting screws.

For wall anchors, install the 8 x 35 mm wall anchors and install the 4 x 30 mm mounting screws into the wall anchors.



## Install Range Hood

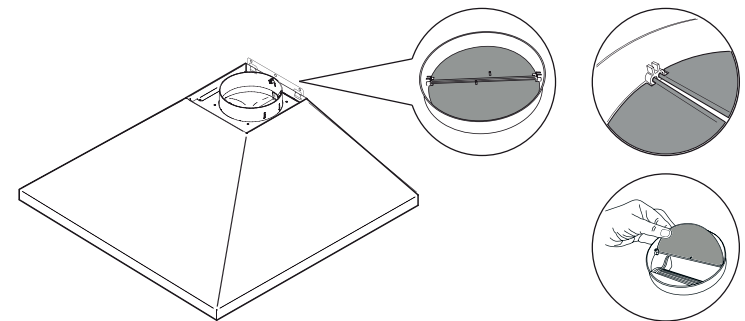
### **⚠ WARNING** EXCESSIVE WEIGHT HAZARD

- Use two or more people to move and install range hood.
- Failure to do so can result in back or other injury.

### **⚠ WARNING** ELECTRIC SHOCK HAZARD

- Disconnect power before servicing.
- Replace all parts and panels before operating.
- Plug into a grounded 3-prong outlet.
- Failure to do so can result in death, fire, or electrical shock

1. Using 2 or more people, hang range hood on mounting bracket through the mounting slots on back of range hood.
2. Check and verify the round damper is properly installed into the duct opening of the range hood.



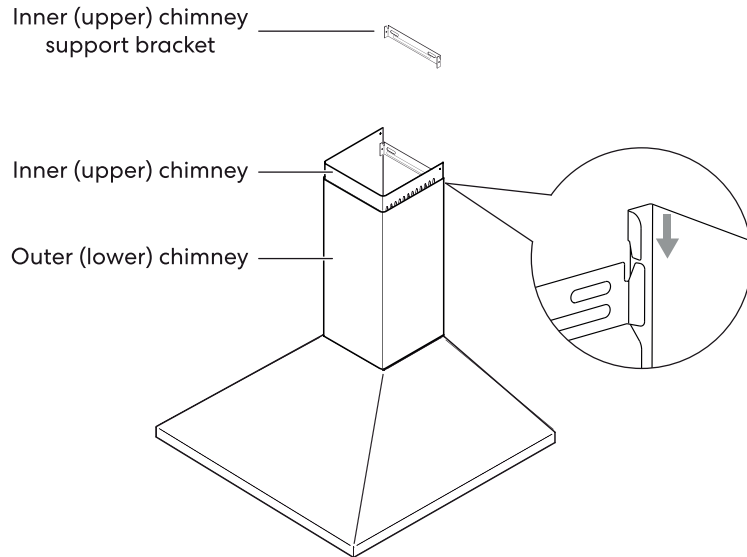
3. **For ducted installations only:** Connect one end of 6" round aluminum duct to the top duct opening of the range hood, and the other end to the existing duct system. Seal connections with clamps or HVAC foil tape (not included).

4. Plug range hood into a grounded 3-prong outlet.

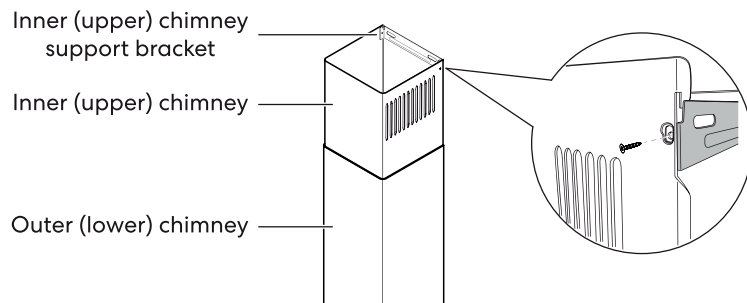
5. Place both inner (upper) and outer (lower) chimneys onto hood, and hang outer chimney onto the lower support bracket on the wall. The inner chimney must slide into the outer chimney.

**NOTE:**

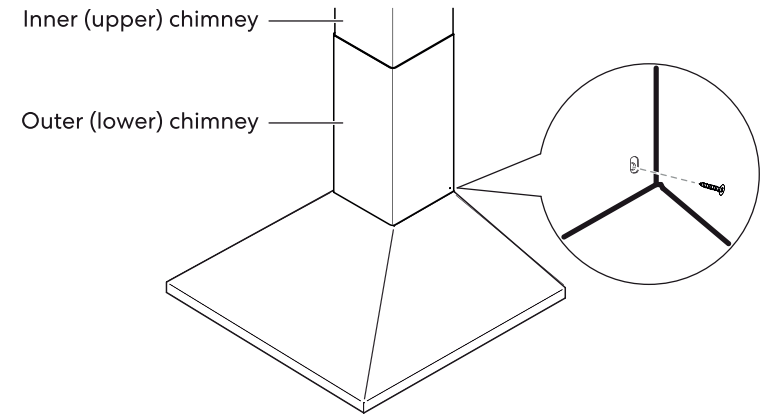
- To help prevent scratches, lay paper or a kitchen towel over the top edges of the outer (lower) chimney to protect the surface.



6. Lift inner (upper) chimney to upper support bracket on the wall, install with (2) 3 x 10 mm screws on both sides of the chimney, or hang chimney onto the support bracket.

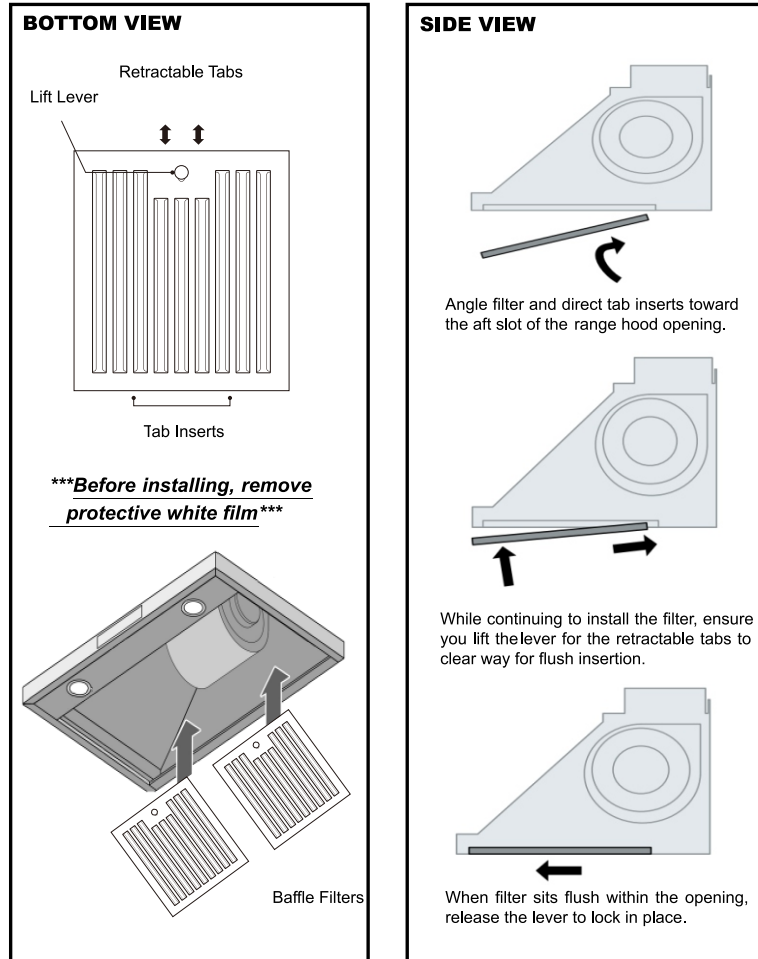


7. (Optional) For models with screw holes on the range hood aligning with the screw holes on both sides of the outer (lower) chimney at the bottom, install (2) 3 x 10 mm screws.



## Complete Installation

### 1. Install metal filters.

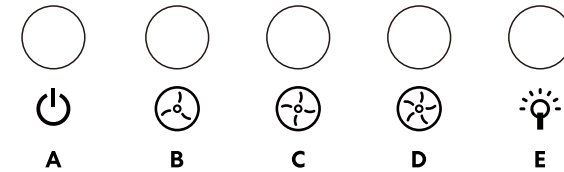


### 2. Check the operation of the range hood blower and light. See the "Range Hood Use" section.

## RANGE HOOD USE

The range hood is designed to remove smoke, cooking vapors and odors from the cooktop area. For best results, start the range hood before cooking and allow it to operate several minutes after the cooking is complete to clear all smoke and odors from the kitchen.

### Controls



- A. OFF Button
- B. Low Speed Button
- C. Medium Speed Button

- D. High Speed Button
- E. Light On/Off Button

**OFF Button**  
Turn off the fan.

**Low Speed Button**  
Start the fan at low speed .

**Medium Speed Button**  
Start the fan at medium speed.

**High Speed Button**  
Start the fan at high speed.

**Light On / Off Button**  
Used for turning on/off the light.

## RANGE HOOD CARE

### Cleaning

#### IMPORTANT:

- Clean the range hood and grease filter frequently according to the following instructions. Replace grease filter before operating range hood.
- Be sure the power is off/disconnected and the lights are cool before cleaning the range hood.

### Exterior Surfaces

Clean the range hood with a mild detergent and soft cloth. To avoid damage to the exterior surface, do not use abrasive cleansers or steel-wool pads.

### Metal Grease Filter

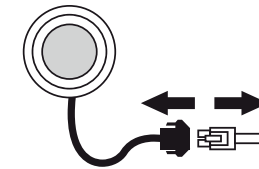
The metal filter should be washed frequently. Place stainless steel filter in dishwasher or hot detergent solution to clean. Let metal filter dry thoroughly before replacing it.

1. Turn off fan and lights. Check that the LED lights are cool.
2. Remove the metal filter by pushing the release knob and then pulling down the metal filter.
3. Wash the metal filter as needed in the dishwasher or hot detergent solution.
4. Reinstall the metal filter by pushing the release knob, pushing up the metal filter back into the range hood, and releasing the knob to latch into place.

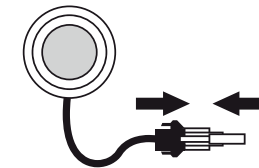
## Replacing the LED Light

Turn off the range hood and allow the LED Lights to cool. Replace the LED lights using tissue or wearing cotton gloves to handle them.

1. Disconnect power.
2. Remove the metal filters. See "Metal Grease Filter" in the "RANGE HOOD CARE" section.
3. Disconnect the LED light cable from the range hood.



4. Use a flat-blade screwdriver to gently pry and remove the LED light.
5. Install a replacement LED light. Be sure to properly align the LED light with the opening and the LED light is securely locked into place.
6. Connect the LED light cable to the range hood.



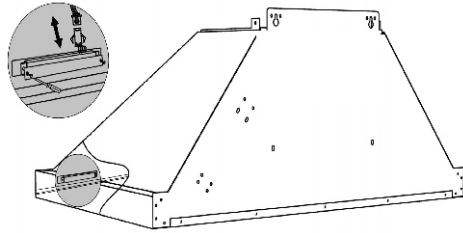
7. Reinstall the metal filters into the range hood.
8. Reconnect power.



Scan for a light bulb installation tutorial video. .

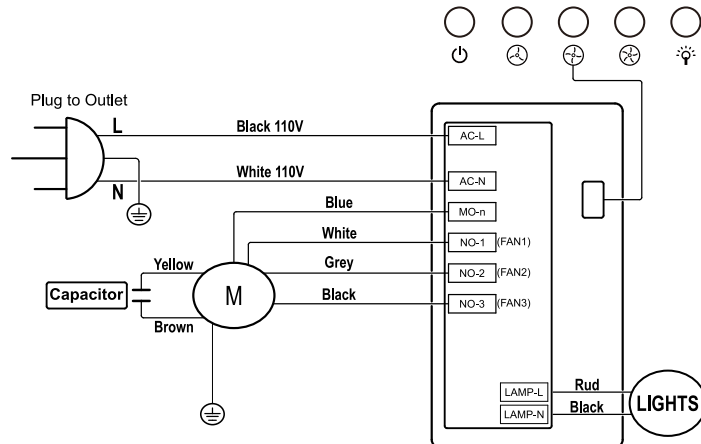
## Replacing the Control Panel

1. Make sure the range hood is unplugged or turn OFF breaker.
2. Remove the baffle filters.
3. Remove the screws on the LED Light panel.
4. Remove the screws holding the control panel.  
Unplug the control panel, and replace with a new control panel.
5. Fix the screws holding the control panel.
6. Fix the screws of LED Light panel.



**WARNING** Never work on or clean the range hood while the power is on. Always unplug the unit or switch the electrical breaker to the off position.

### WIRING DIAGRAM (Digital Panel)



Scan for a button panel installation tutorial video.

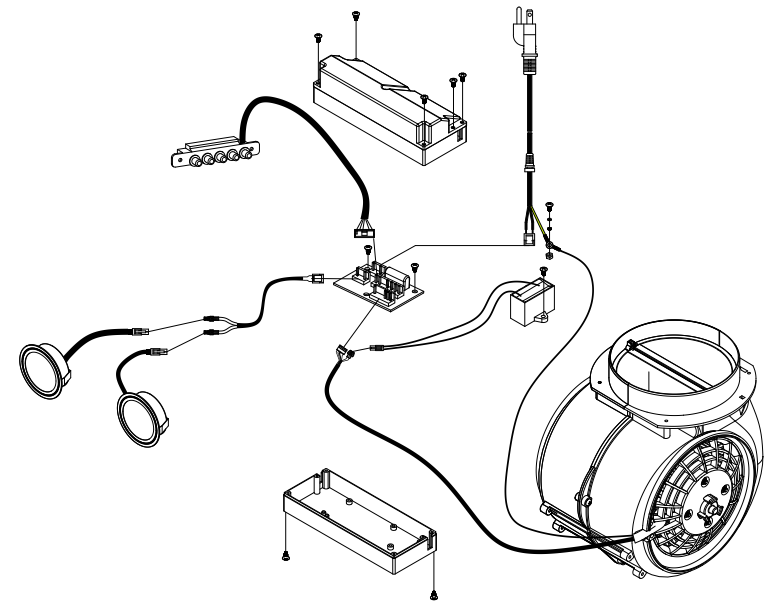
## Replacing the Circuit Board

1. Make sure the range hood is unplugged or turn OFF breaker.
2. Remove the baffle filters.
3. Remove the screws on the circuit board box.
4. Take out the circuit board and unplug the wires connected to the circuit board one by one.
5. Replace the circuit board, plug the wires one by one, and then secure the circuit board with screws.
6. Put the wires back to the board box, fix the screws, cover the panel and secure it with screws.



**WARNING**

Never work on or clean the range hood while the power is on. Always unplug the unit or switch the electrical breaker to the off position.



Scan for a circuit board installation tutorial video.

## FAQ

### Can my hood be ductless?

It is better to duct your range hood to the outside, but if this is not possible, ductless/ recirculating is an acceptable alternative.

### Is the width of my range hoods description, the actual size?

No — the actual width of the range hood will be slightly less than the generic description of the range hood in order to better fit cabinet cutouts. For instance, a 30" (762 mm) range hood will actually measure 29 1/2" (749 mm).

### Why is my range hood white/blue?

This is a protective layer that is placed on all range hoods to prevent shipping damage.

### How do I clean my baffle filters and how often?

Your baffle filters should be washed with hot water and soap once per month or placed in a dishwasher for cleaning. Make sure filters are completely dry before reinstalling.

### Can I clean my charcoal filter?

No — charcoal odor filter cannot be washed and must be discarded and replaced when they become noticeably dirty and/or have stopped filtering the odors. They should be replaced at least every 3-6months.

## TROUBLESHOOTING

ISSUE	POSSIBLE CAUSE	SOLUTION
The blower or fan seems weak.	A large amount of oil has accumulated on the baffle filter.	Clean or replace the baffle filters.
	Use the wrong duct size.	Use the right duct- 3-1/4x10" or 6" round type.
	The distance between the range hood and the stove is too far.	Adjust the distance between the range hood and stove top, between 25 9/16" (65.0 cm) and 29 9/17" (75.0 cm)
	The duct is clogged or if damper unit(half-circular flapper) is not installed correctly.	Clear the blockage of the duct. Install the flapper correctly.
Range hood does not work.	Check that there is power to the range hood.	The most common issue is that the circuit breaker is off or the fuse has blown.
		Make sure the speed has been selected at the controls.
		Turn off the power and check that all wires are properly connected. Refer to your specific model's installation instructions for proper wiring.
Range hood is making a rattling noise.	The motor is loose.	Turn off the power and remove the filter and check that all screws are secure and tight around the motor.
	The duct work connection is loose.	The ductwork connection to the pipe is tight. Add duct tape if necessary.
	The hood is not secured in place.	Check the installation of the hood.
	If it is stuck, it will sound like motor noise but it's really the damper.	Check whether the air outlet is blocked by foreign matter or air duct deformation, and the damper is opened normally.
The motor is working, the light is not on.	The light connector is not connected	Check whether the LED connector is connected
	Light out of order	Contact customer service to replace the lamp.
	The circuit or switch board is out of order.	Contact customer service to replace the switch board or circuit board.
The lights cannot be turned off.	The circuit board is out of order off.	Contact customer service to replace the circuit board