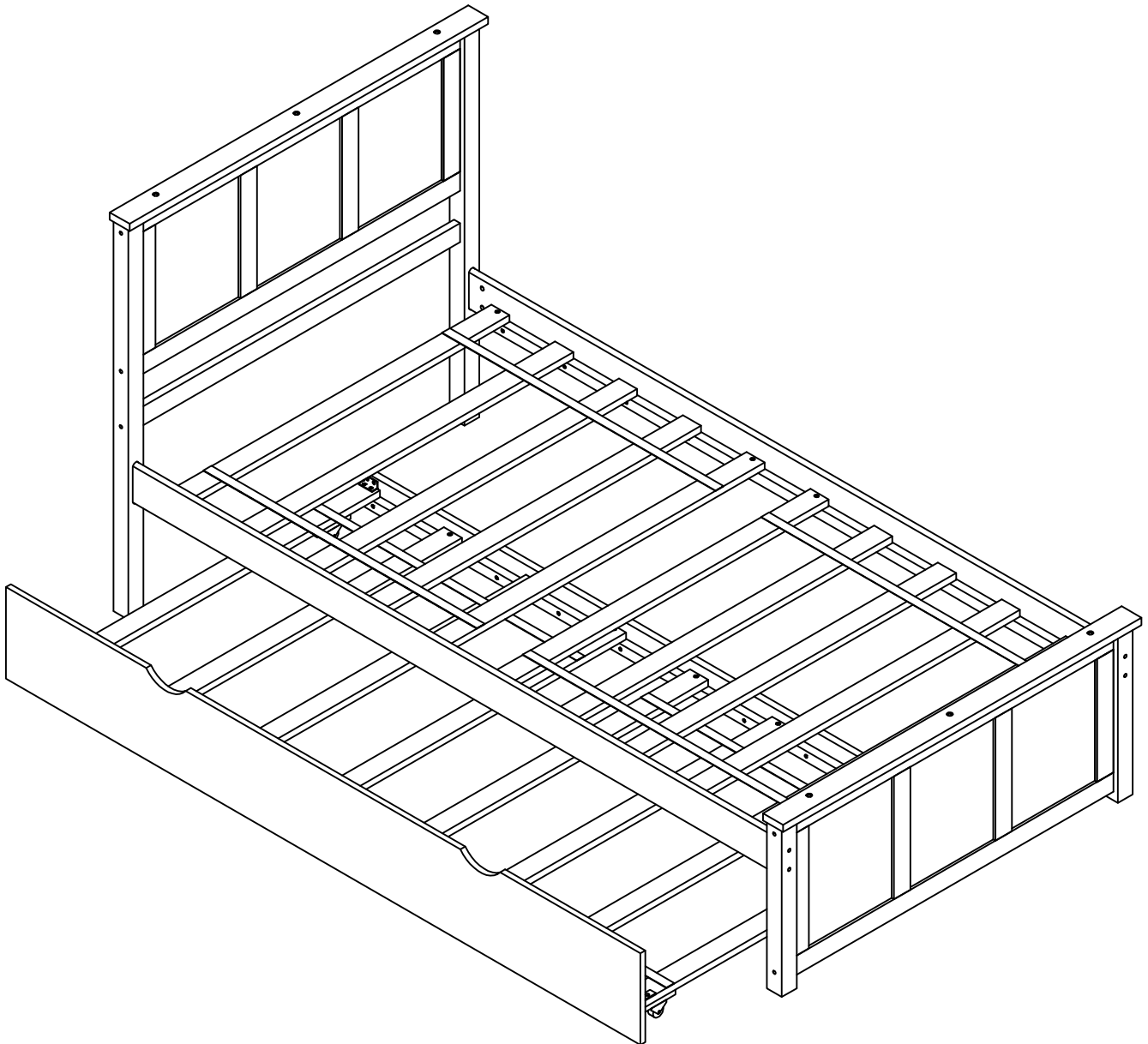


If you have any questions, please feel free to contact us.
Email: lowes.team@qualfurn.net

ASSEMBLY INSTRUCTIONS

BED WITH TRUNDLE



PLEASE DO NOT RETURN PRODUCT TO THE STORE.

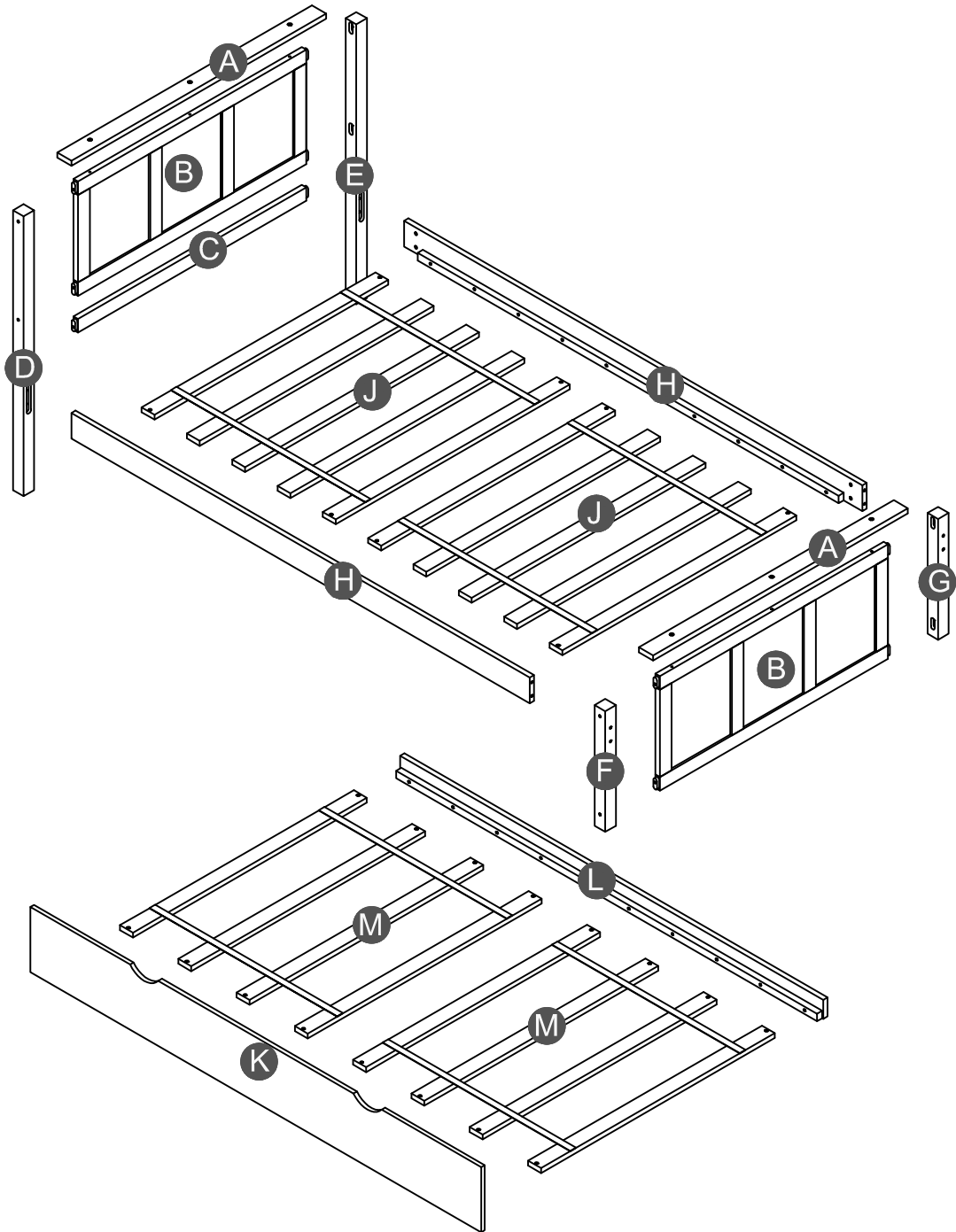
If you have any problems or concerns, please feel free to contact our customer service department. We will reply to you at the first time.



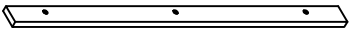
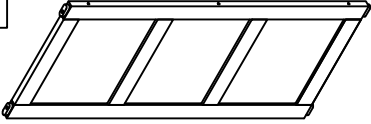
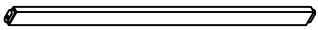
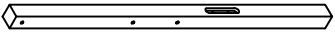
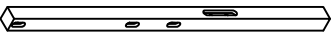
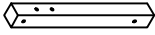
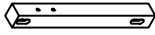

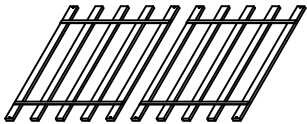
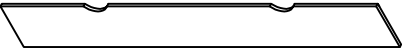

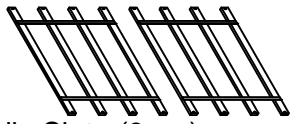
E-Mail: csr@merax.com
Tel: 626-912-8886 Ext.100

WF194473

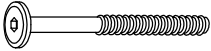
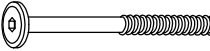



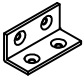



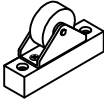
Detail View



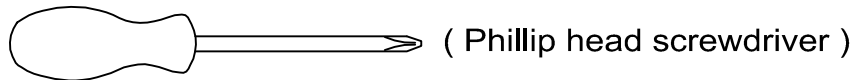
Part List

<p>A</p>  <p>Cap for HB & FB - 2pcs</p>	<p>B</p>  <p>HB/FB Frame - 1pc</p>	<p>C</p>  <p>HB horizontal bar - 1pc</p>
<p>D</p>  <p>Leg headboard(Left) - 1pc</p>	<p>E</p>  <p>Leg headboard(Right) - 1pc</p>	<p>F</p>  <p>Leg footboard(Right) - 1pc</p>
<p>G</p>  <p>Leg footboard(Left) - 1pc</p>	<p>H</p>  <p>Side rail - 2pcs</p>	<p>J</p>  <p>Slat - (10pcs)</p>
<p>K</p>  <p>Front panel of trundle - 1pc</p>	<p>L</p>  <p>Back panel side rail of trundle - 1pc</p>	<p>M</p>  <p>Trundle Slat - (8pcs)</p>

Hardware List

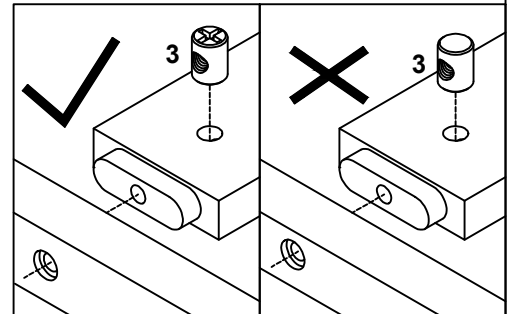
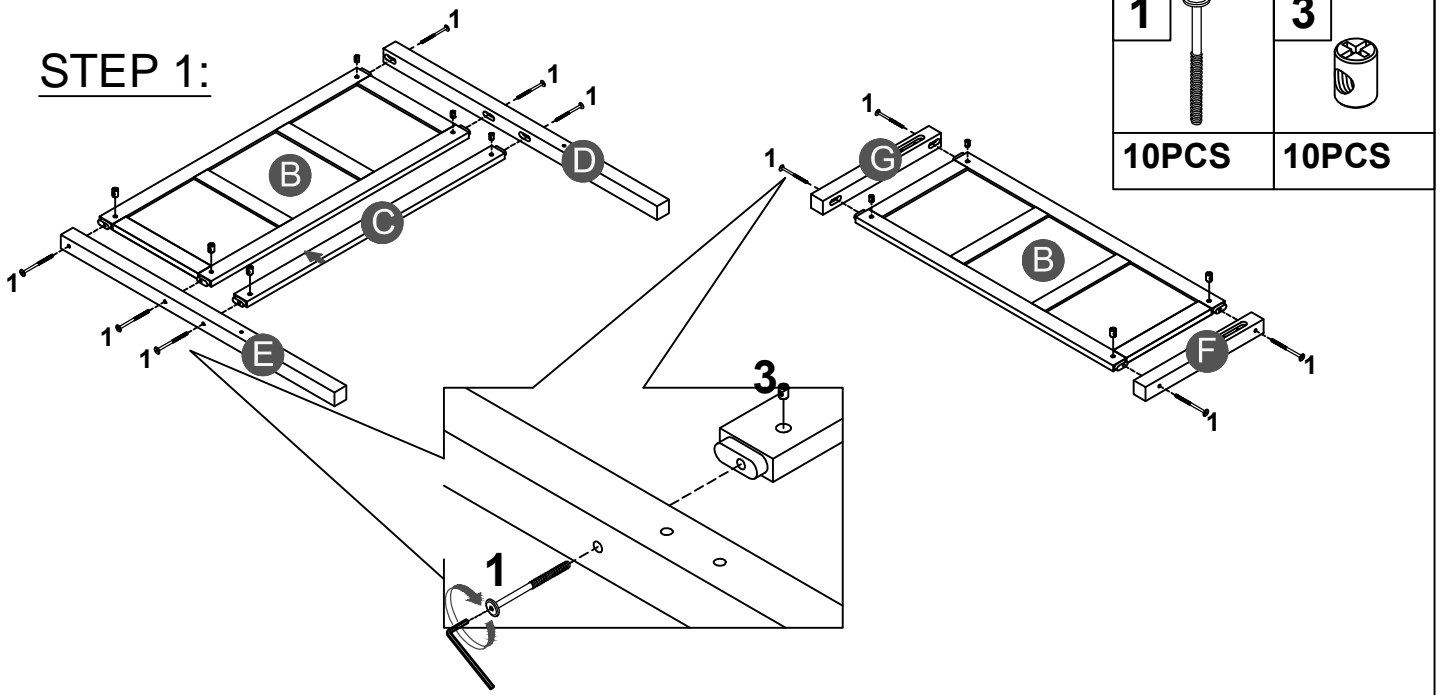
1  (Ø15)1/4"*80mm Hex-Head bolts (10pcs)	2  (Ø15)1/4"*100mm Hex-Head bolts (8pcs)	3  1/4"*15 (9.5mm) Horizontal-Hole bolts(18pcs)
4  (Ø12)1/4"*40mm Hex-Head bolts (6pcs)	5  Ø4*30mm Wood screws (32pcs)	6  40*18*18*2mm Metal bracket (2pcs)
7  (1/4")4.5*58mm Allen key (1pc)	8  95*95*18*3mm Metal bracket (2pcs)	9  Ø3.5*15mm Wood screws (16pcs)
10  100*63*20mm Wheels (4pcs)		

ASSEMBLY TOOLS REQUIRED (NOT INCLUDED)

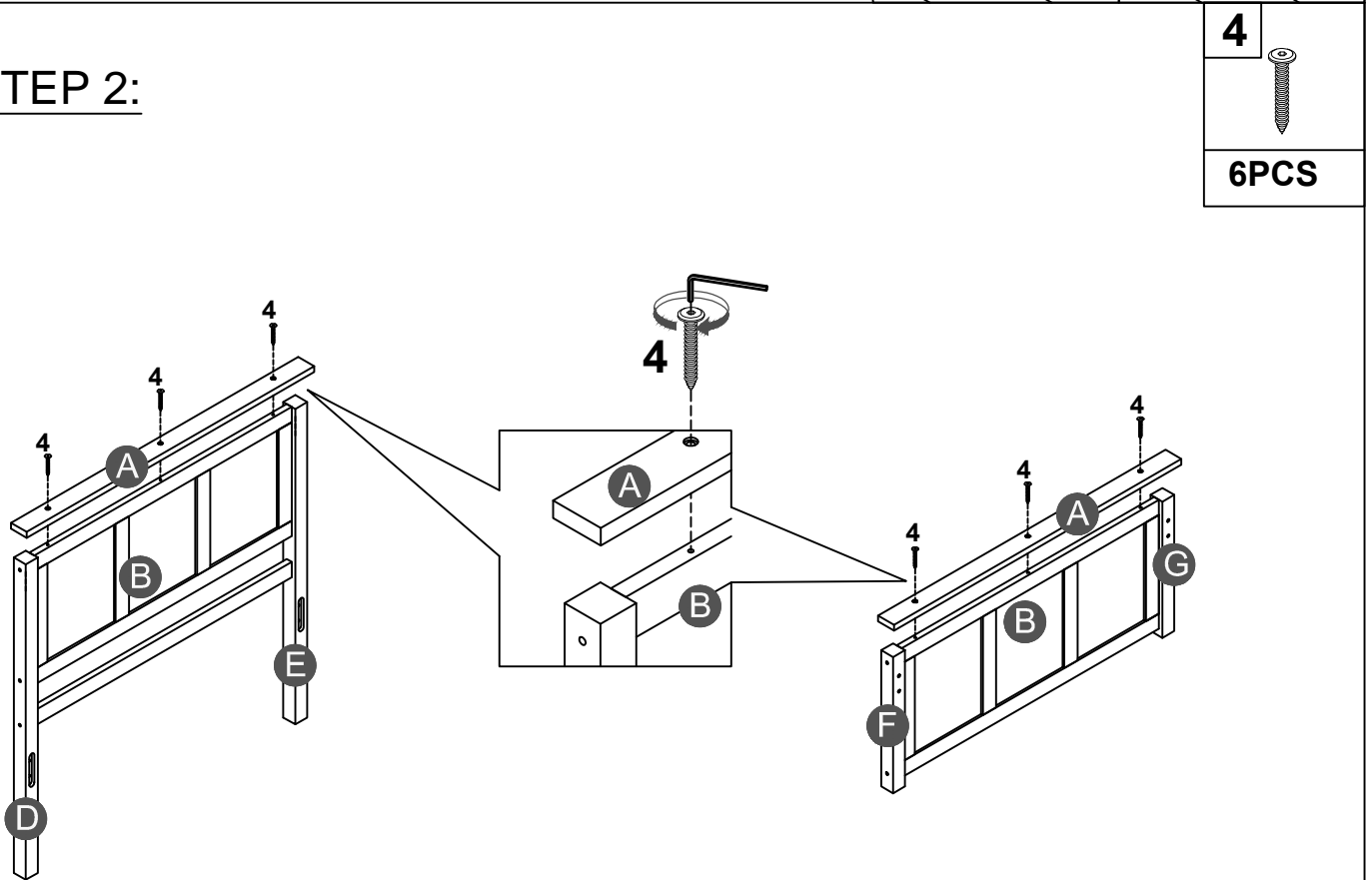


DO NOT USE POWER TOOLS TO ASSEMBLE THIS PRODUCT !



STEP 1:

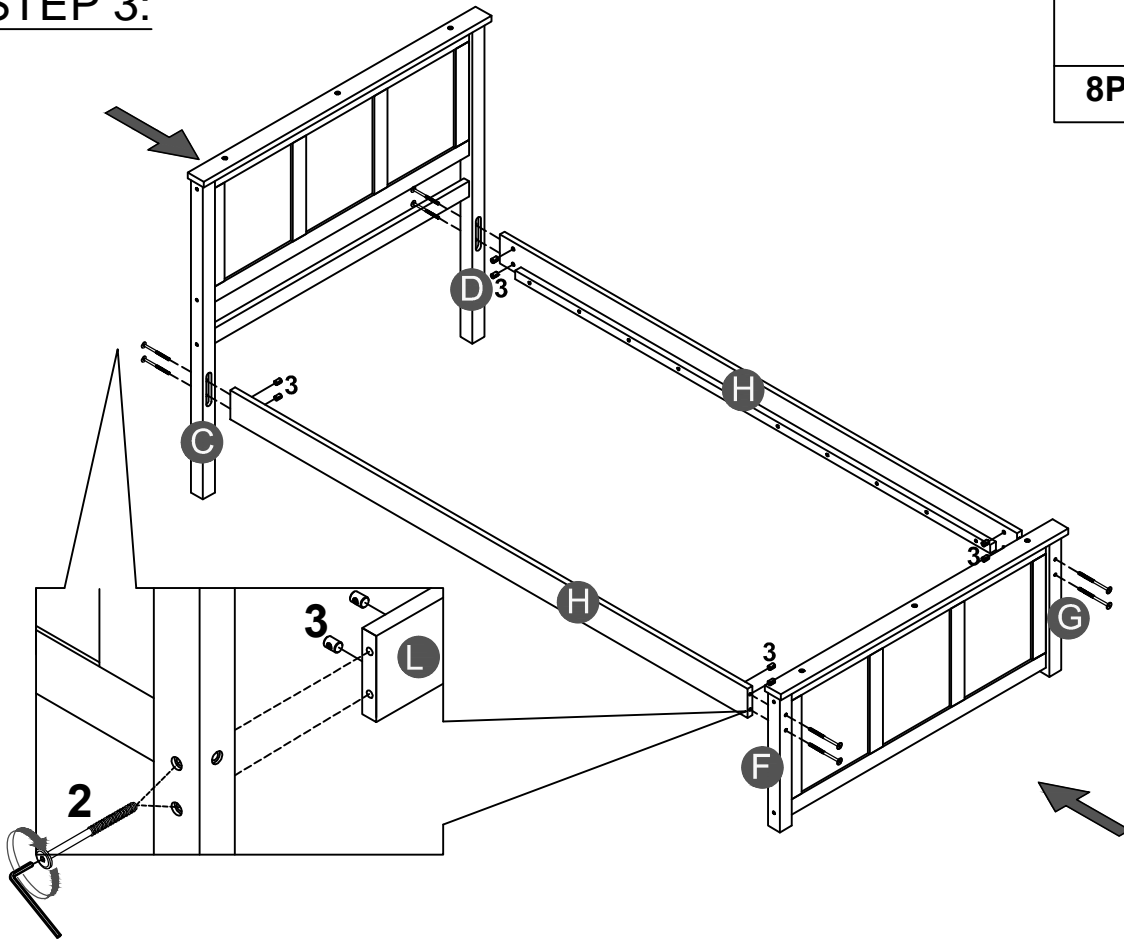


STEP 2:




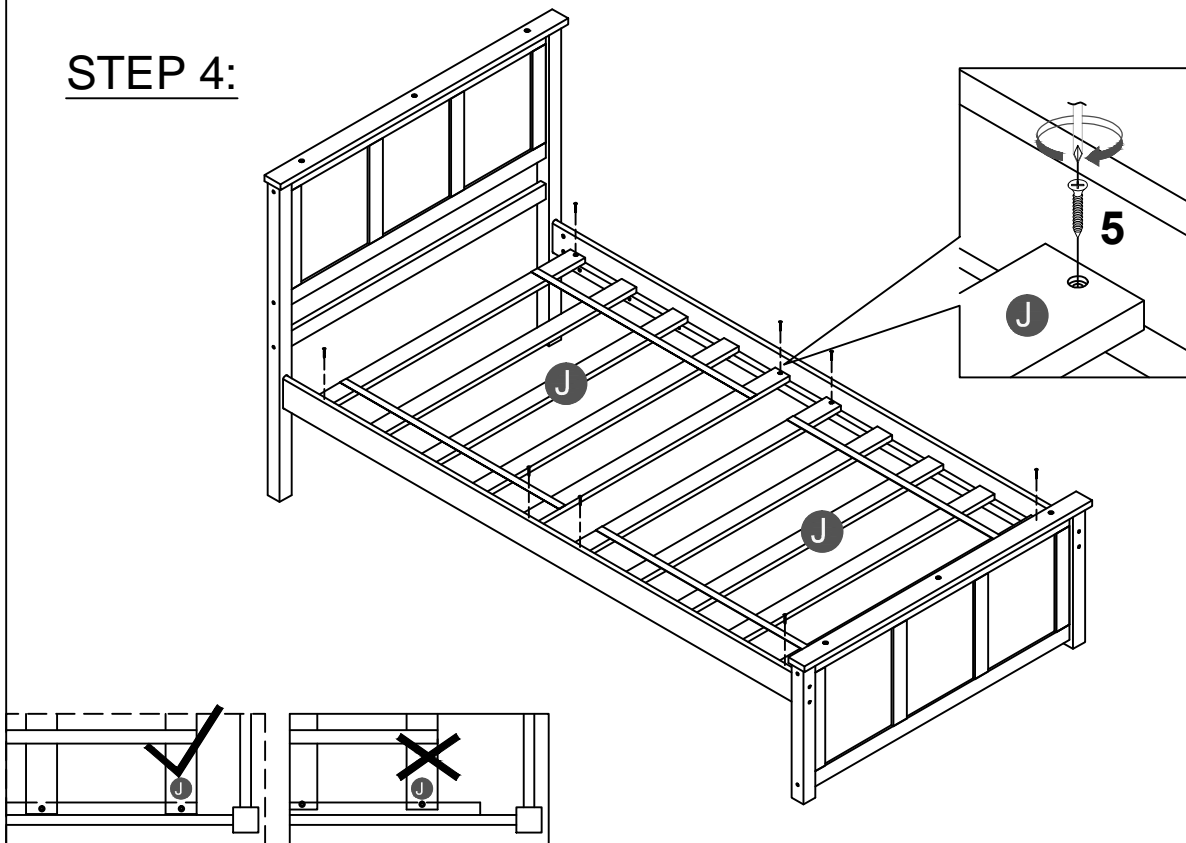
STEP 3:

2		3	
8PCS		8PCS	



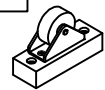

STEP 4:

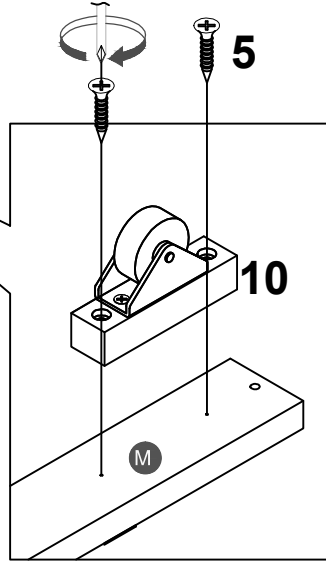
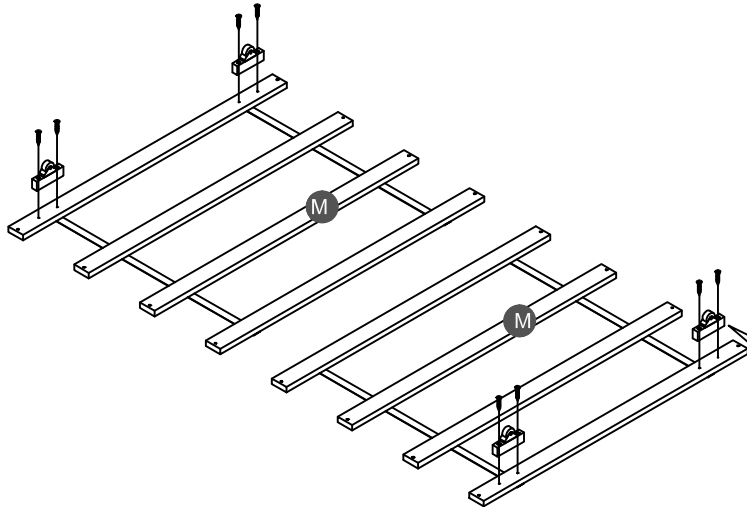
5	
8PCS	




Note: Do not lock the screws of the bed slats to the outermost edge of the bed slats, you need to leave a certain space at the edges, otherwise it will cause the board to break

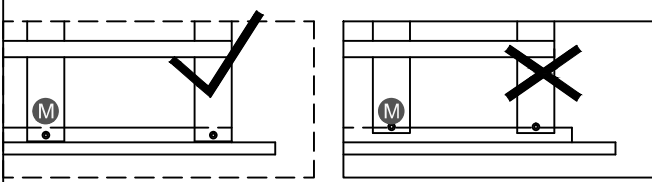
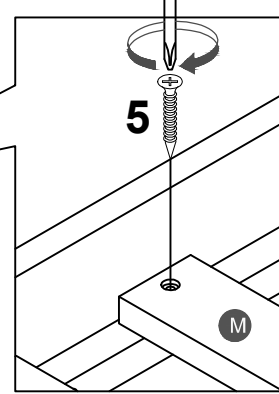
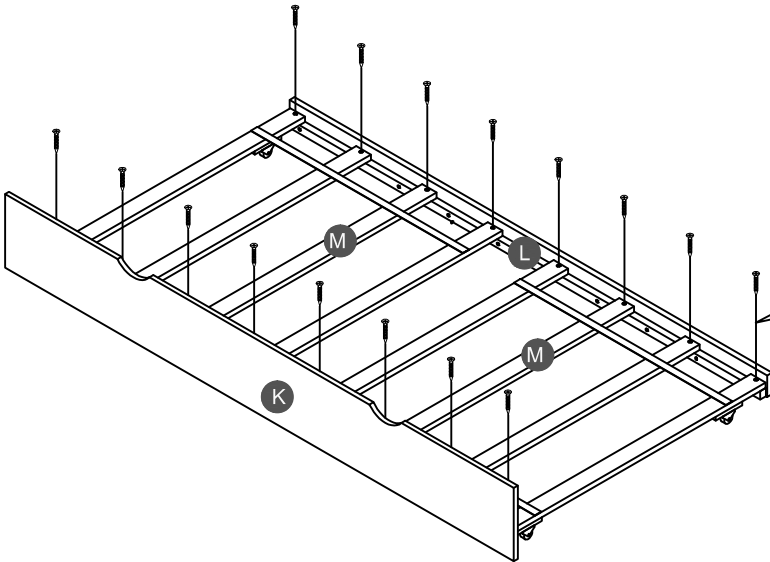
STEP 5:

10 	5 
4PCS	8PCS





STEP 6:

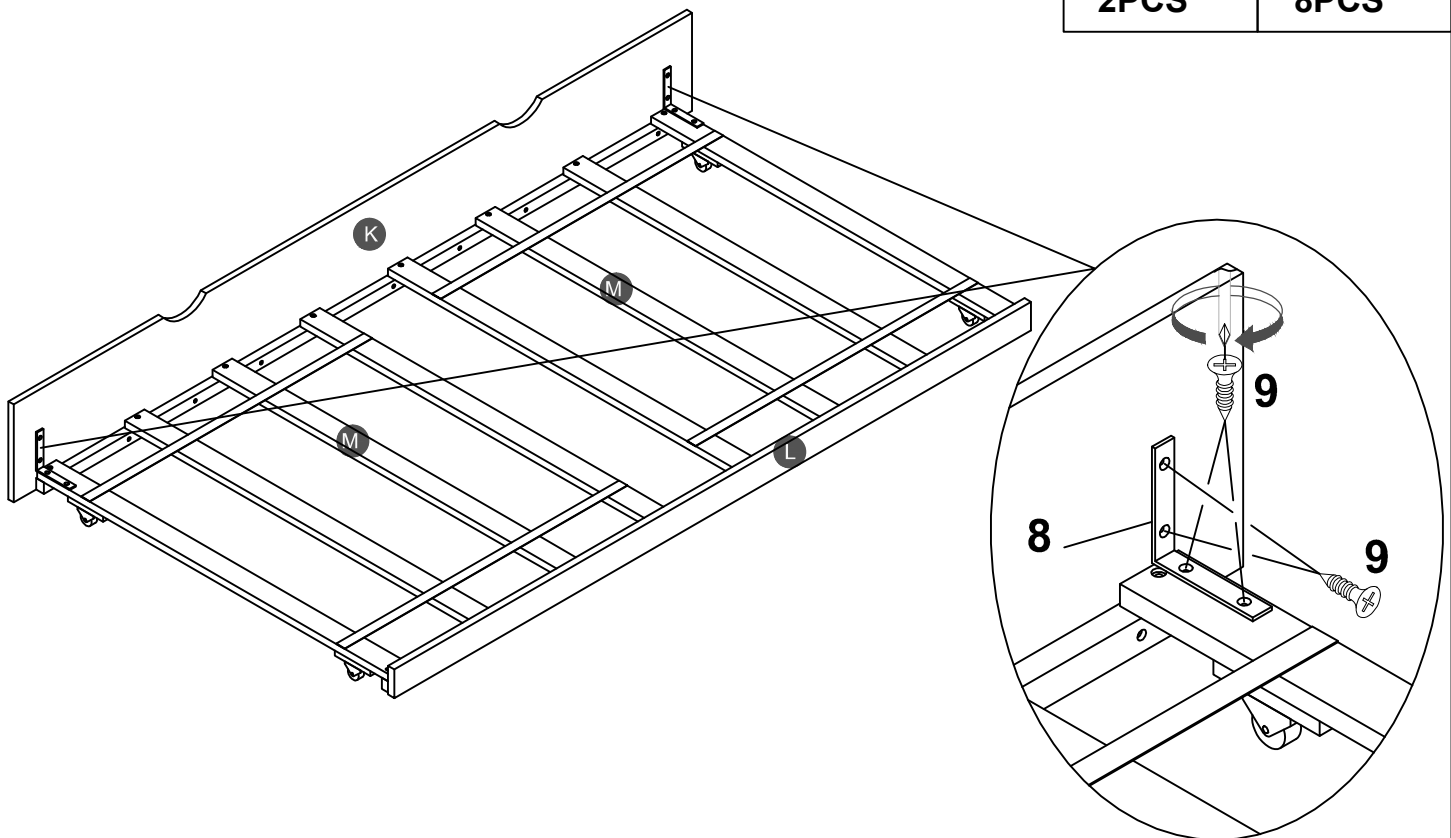
5 
16PCS



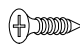
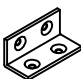
Note: Do not lock the screws of the bed slats to the outermost edge of the bed slats, you need to leave a certain space at the edges, otherwise it will cause the board to break

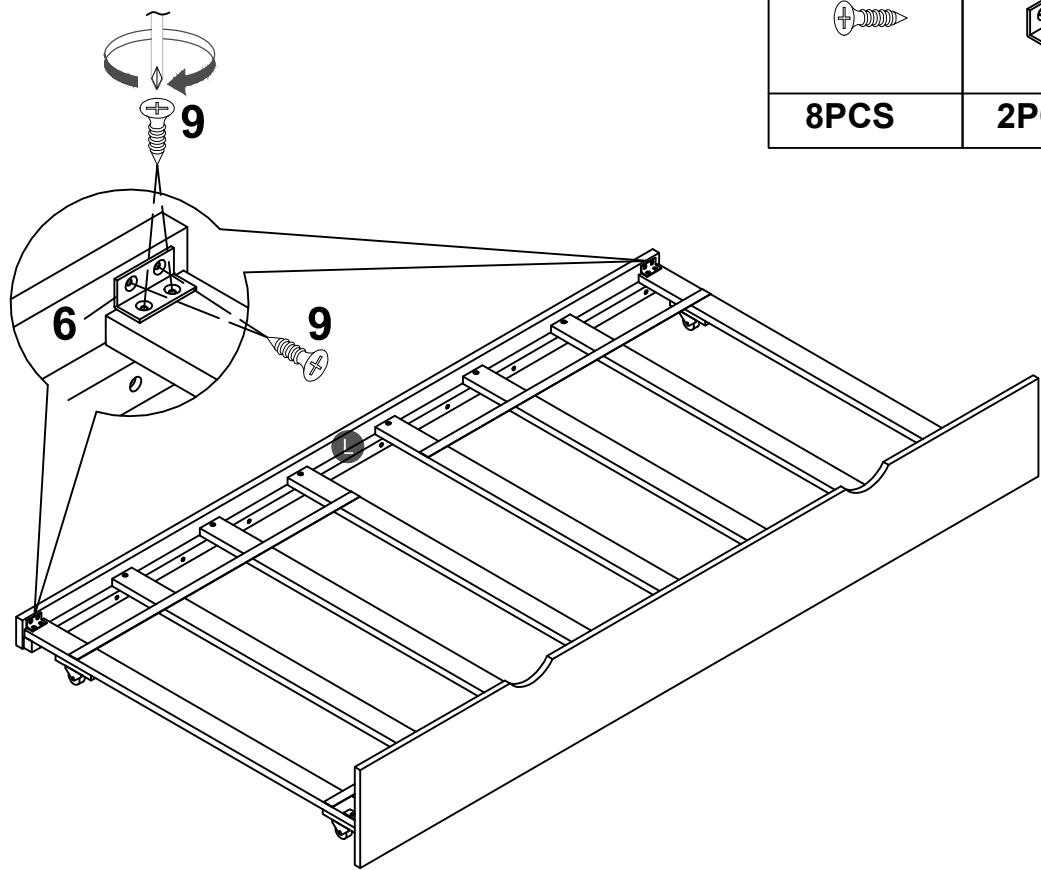
STEP 7:

8	9
	
2PCS	8PCS

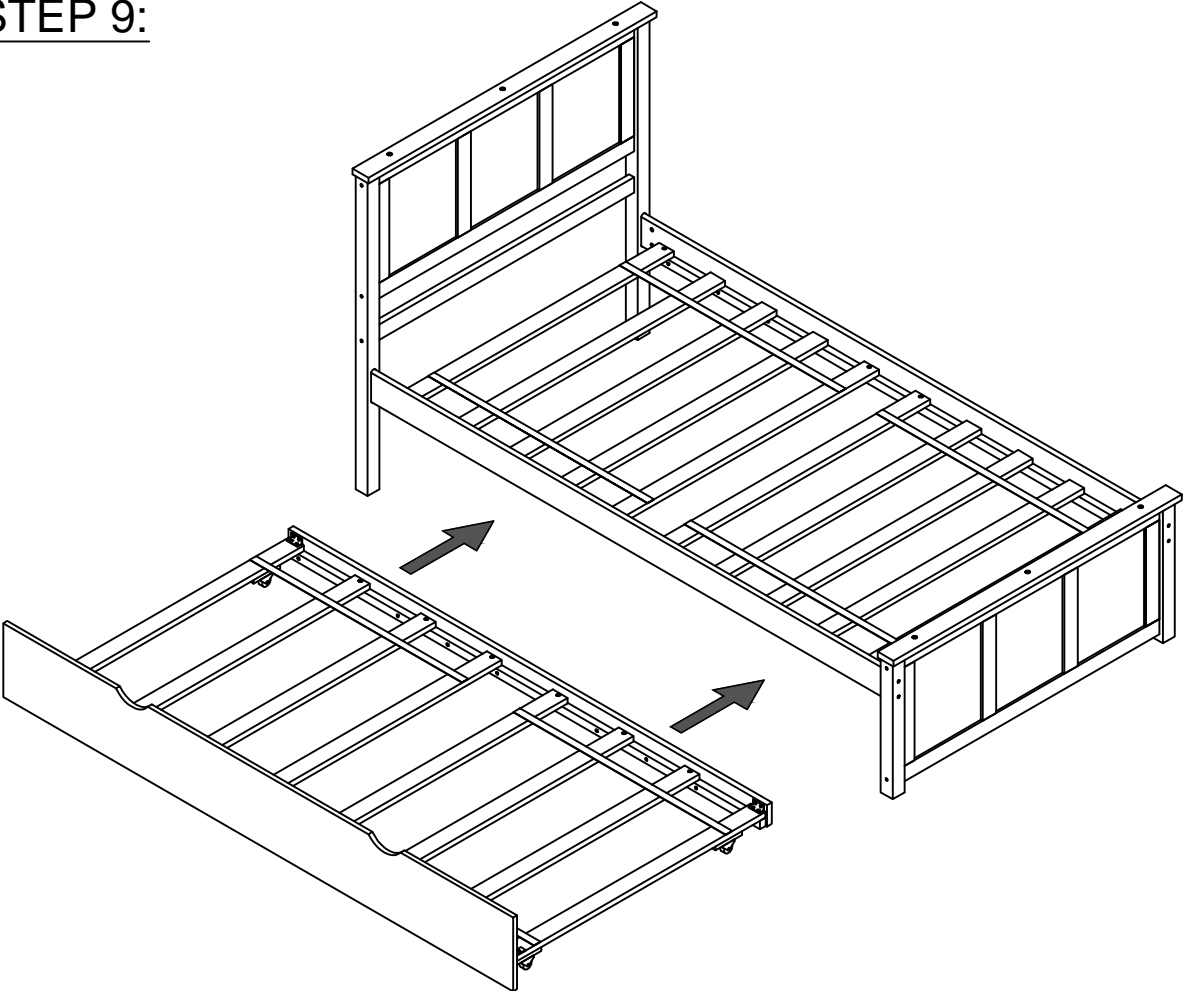


STEP 8:

9	6
	
8PCS	2PCS



STEP 9:



Push Trundle under the bottom of Twin bed.

