

# 30" Electric Slide-in Range

800 Series – Stainless Steel HEI8054U



**BOSCH**  
Invented for life



**HEI8054U**  
Stainless Steel

The newly designed full-depth electric slide-in range fits into any freestanding range cutout, and offers a flush built-in look.

## Features & Benefits

The Bosch slide-in range fits in any freestanding range cutout.

Cook with a 6" or a 9" element.

At 4.6 cu. ft., a large oven capacity accommodates most pots and pans.

Genuine European convection for even baking results on multiple levels.

The warming drawer keeps everything you cook warm and ready to serve.

## General Properties

Cooking modes	Bake, Variable Broil (hi & low), Roast, Warm, Proof Dough, Convection Bake, Convection Broil, Convection Roast, Multi-Rack Genuine European Convection, Convection Conversion, Pizza, Fast Preheat, Sabbath
---------------	---

Cleaning type	Self clean
Knob material	Metal
Interior light	1
Kitchen timer	Yes
Drawer type	Warming drawer

## Oven Performance

Bake / broil element watts (W)	2,400 / 3,800 W
Convection element watts (W)	2,000 W

## Element Performance

Total cooktop elements	5
Power of front left element watts (W)	1,400 / 3,000 W
Power of back left element watts (W)	1,200 W
Power of center element watts (W)	100 W
Power of back right element watts (W)	1,200 W
Power of front right element watts (W)	1,100 / 3,200 W

## Element Size

Dimension of front left heating element	6" / 9"
Dimension of back left heating element	6"
Dimension of center heating element	6"
Dimension of back right heating element	6"

## Element Size (continued)

Dimension of front right heating element	9.5"
--	------

## Technical Details

Watts (W)	11,300 / 14,800 W
Circuit breaker (A)	40 A
Volts (V); Frequency (Hz)	208 / 240 V; 60 Hz
Plug type	N/A
Energy source	Electric

## Dimensions & Weight

Overall appliance dimensions (HxWxD)(in.)	35 1/2"-37" x 31 1/2" x 28 7/8"
Required cutout size (HxWxD)(in.)	35 1/2"-37" x 30" x 25"
Adjustable range height (in.)	1 1/2"
Oven cavity size (cu. ft.)	4.6
Overall oven interior dimensions (HxWxD)(in.)	17 13/16" x 24 1/8" x 18"
Usable oven interior dimensions (HxWxD)(in.)	12 5/16" x 23 1/4" x 15 1/4"
Net weight (lbs)	248 lbs

## Accessories—Included

Use and care manual, installation guide, 3 standard racks

## Accessories—Optional



**HEZTR301**  
30" Telescopic rack



**HEZBS301**  
4" Low backguard



**HEZ390210**  
8" AutoChef® pan for 6" element



**HEZ390220**  
9" AutoChef® pan for 7" element



**HEZ390230**  
10" AutoChef® pan for 8" and 9" elements



For help and assistance with Bosch accessories please visit: [www.bosch-eshop.com/eshop/bosch/us](http://www.bosch-eshop.com/eshop/bosch/us) or call 1-800-944-2904 Mon-Fri 5am to 6pm PST Sat 6am to 3pm PST

Notes: All height, width and depth dimensions are shown in inches. BSH reserves the absolute and unrestricted right to change product materials and specifications, at any time, without notice. Consult the product's installation instructions for final dimensional data and other details prior to making cutout. Applicable product warranty can be found in accompanying product literature or you may contact your account manager for further details.

Warranties: Bosch warrants that the Product is free from defects in materials and workmanship for a period of three hundred and sixty-five (365) days from the date of purchase. The foregoing timeline begins to run upon the date of purchase, and shall not be stalled, tolled, extended, or suspended, for any reason whatsoever. This Product is also warranted to be free from cosmetic defects in material and workmanship (such as scratches of stainless steel, paint/porcelain blemishes, chip, dents, or other damage) to the finish of the Product, for a period of thirty (30) days from the date of purchase or closing date for new construction. This cosmetic warranty excludes slight color variations due to inherent differences in painted and porcelain parts, as well as differences caused by kitchen lighting, product location, or other similar factors. This cosmetic warranty specifically excludes any display, floor, "As Is", or "B" stock appliances.

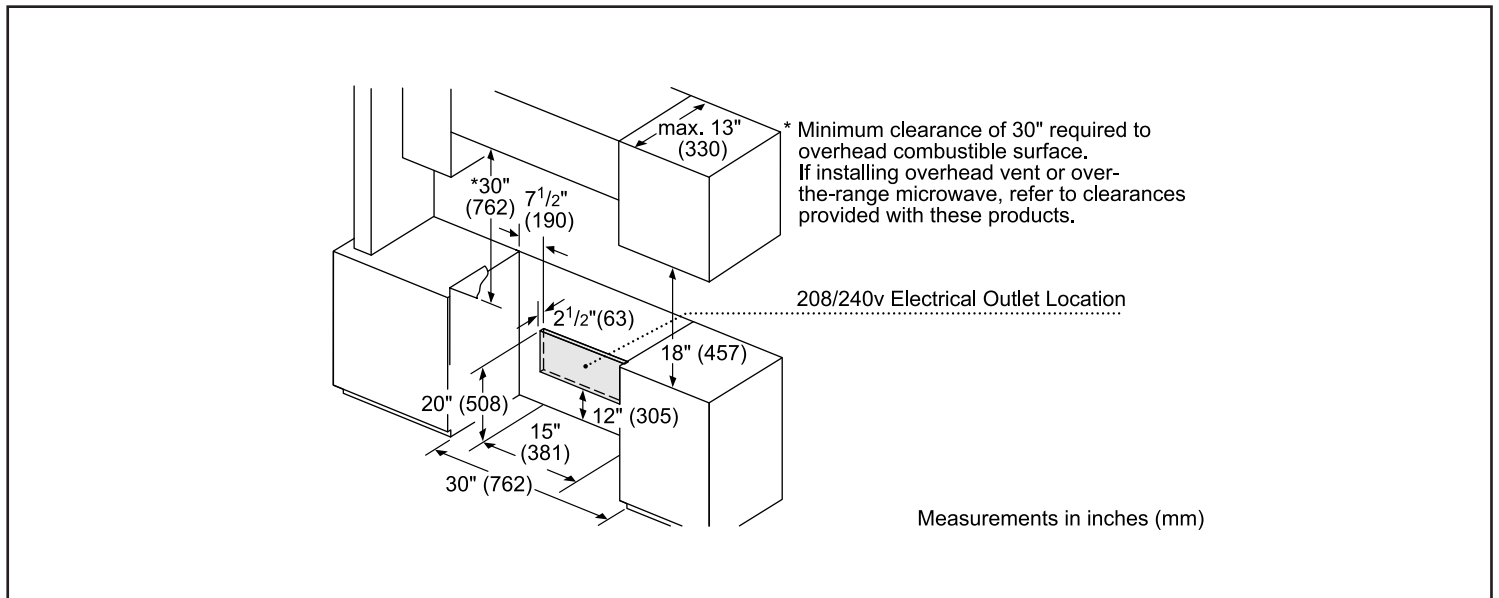
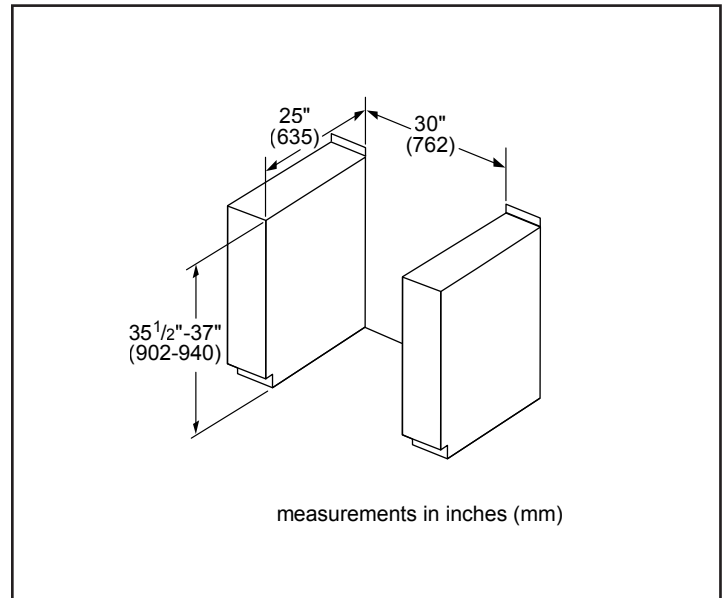
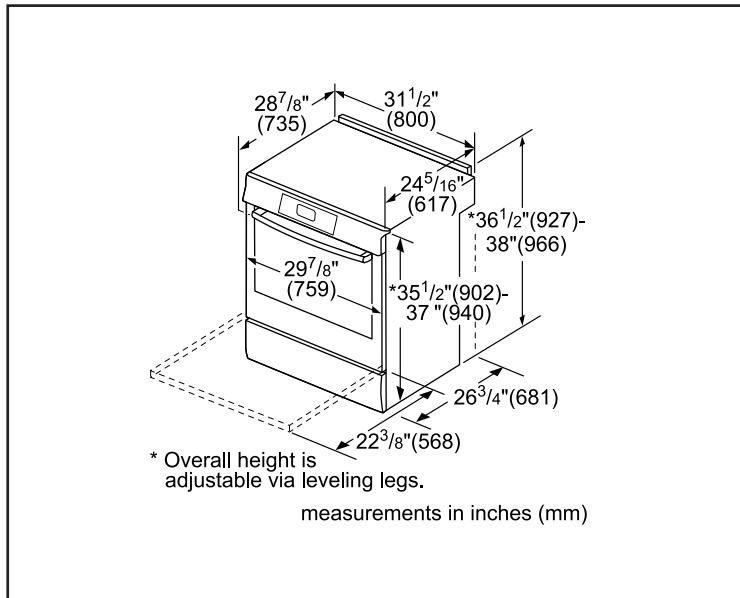
For more information on our entire line of products, go to [www.bosch-home.com/us](http://www.bosch-home.com/us) or call 1-800-944-2904

© BSH Home Appliances Corporation. All rights reserved. Bosch is a registered trademark of Robert Bosch GmbH.

# 30" Electric Slide-in Range

800 Series – Stainless Steel HEI8054U

## Installation Details



For help and assistance with Bosch accessories please visit: [www.bosch-eshop.com/eshop/bosch/us](http://www.bosch-eshop.com/eshop/bosch/us) or call 1-800-944-2904 Mon-Fri 5am to 6pm PST Sat 6am to 3pm PST

Notes: All height, width and depth dimensions are shown in inches. BSH reserves the absolute and unrestricted right to change product materials and specifications, at any time, without notice. Consult the product's installation instructions for final dimensional data and other details prior to making cutout. Applicable product warranty can be found in accompanying product literature or you may contact your account manager for further details.

Warranties: Bosch warrants that the Product is free from defects in materials and workmanship for a period of three hundred and sixty-five (365) days from the date of purchase. The foregoing timeline begins to run upon the date of purchase, and shall not be stalled, tolled, extended, or suspended, for any reason whatsoever. This Product is also warranted to be free from cosmetic defects in material and workmanship (such as scratches of stainless steel, paint/porcelain blemishes, chip, dents, or other damage) to the finish of the Product, for a period of thirty (30) days from the date of purchase or closing date for new construction. This cosmetic warranty excludes slight color variations due to inherent differences in painted and porcelain parts, as well as differences caused by kitchen lighting, product location, or other similar factors. This cosmetic warranty specifically excludes any display, floor, "As Is", or "B" stock appliances.

For more information on our entire line of products, go to [www.bosch-home.com/us](http://www.bosch-home.com/us) or call 1-800-944-2904

© BSH Home Appliances Corporation. All rights reserved. Bosch is a registered trademark of Robert Bosch GmbH.