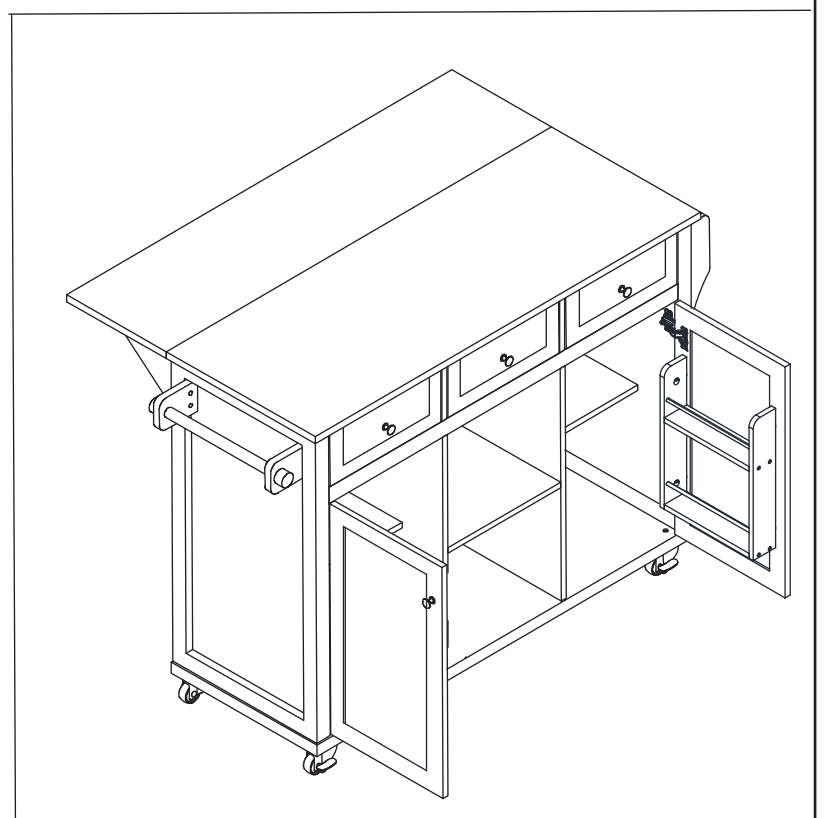
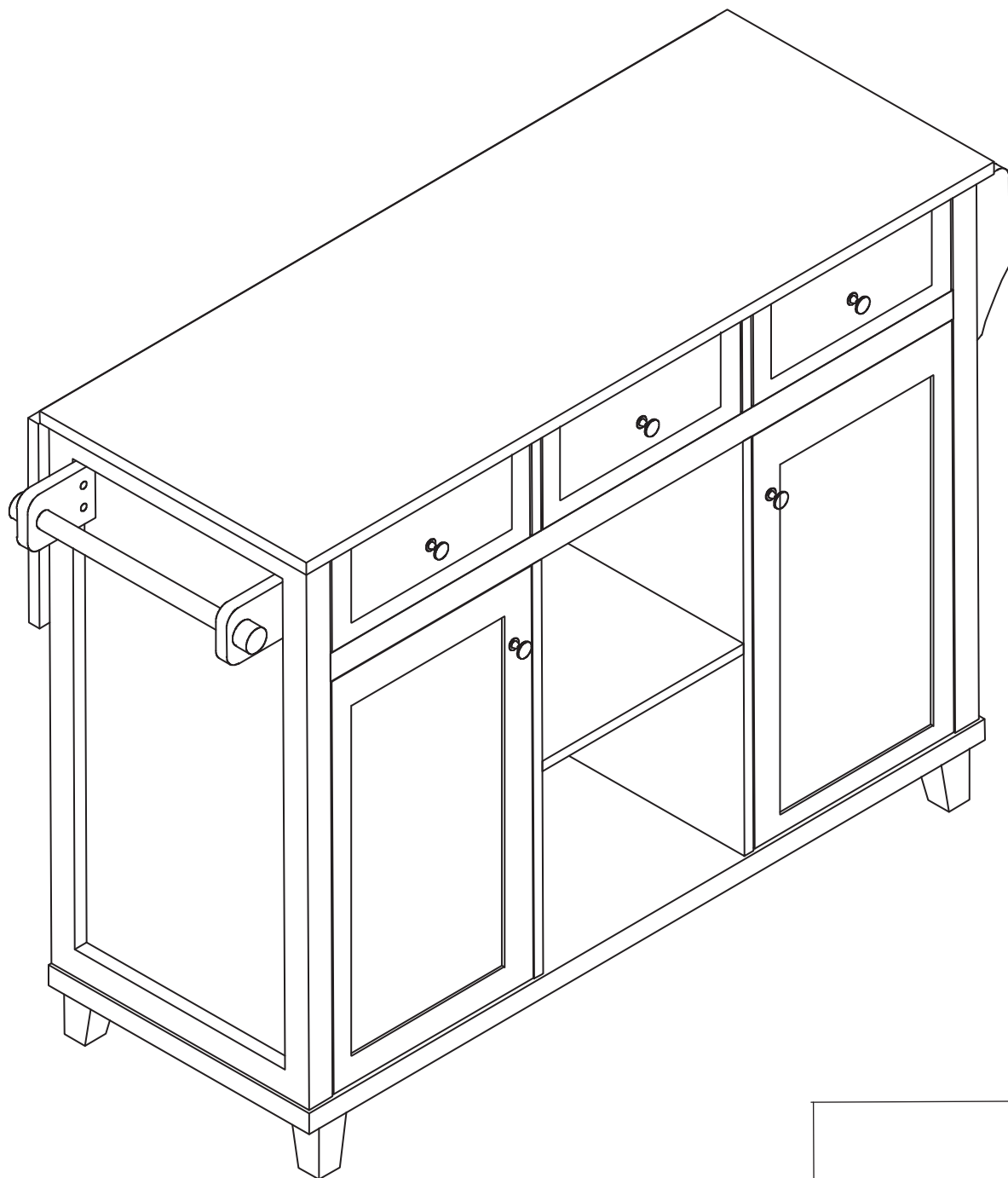
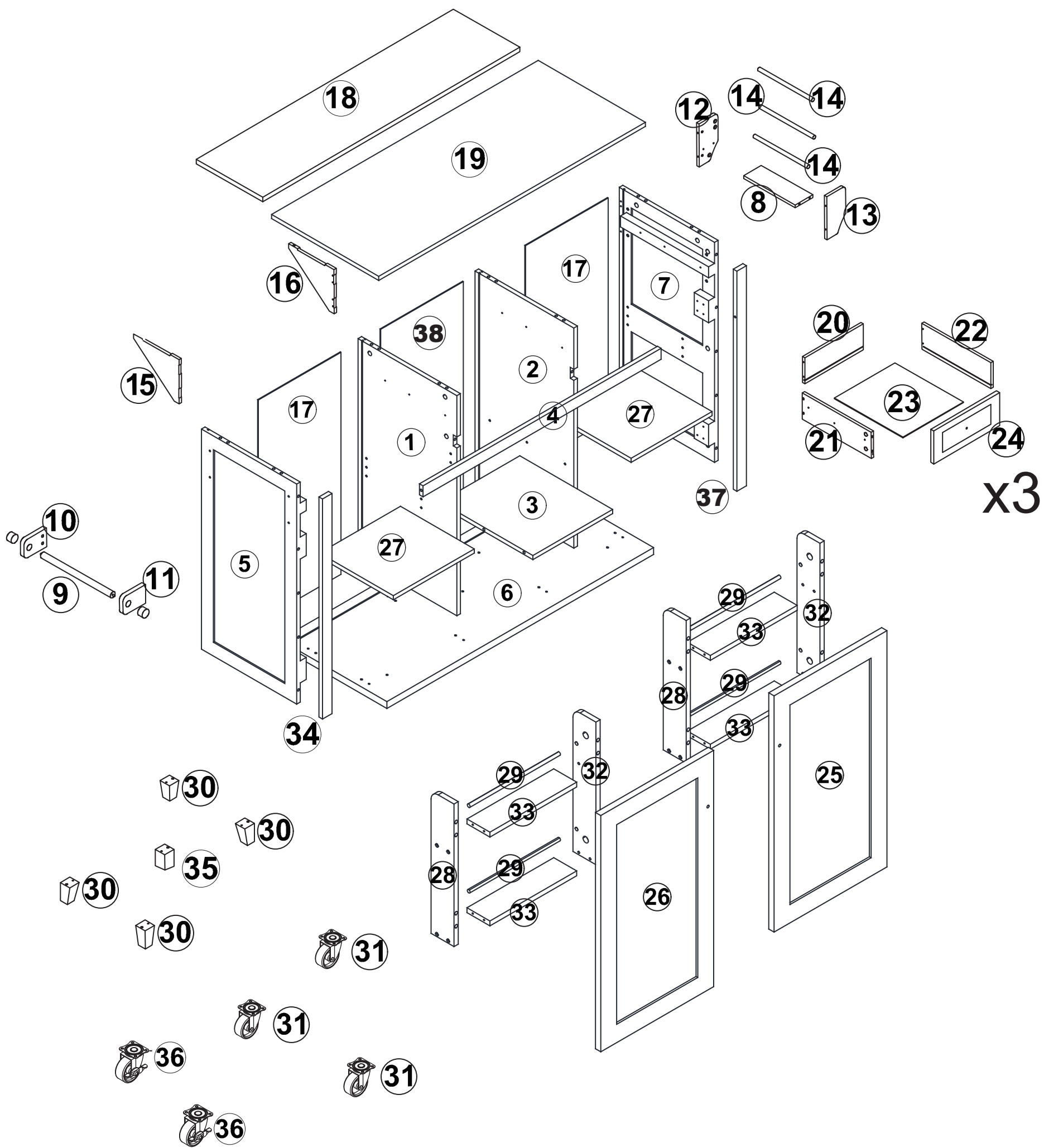
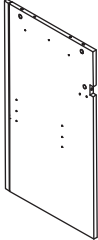
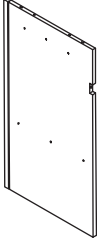
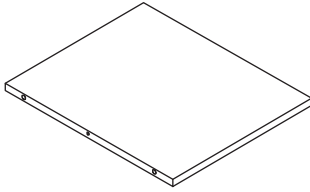
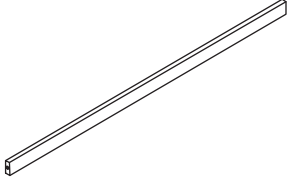
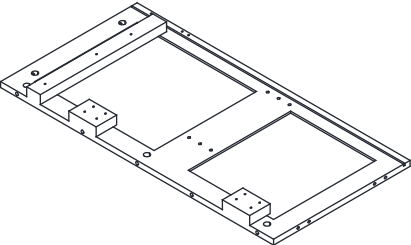
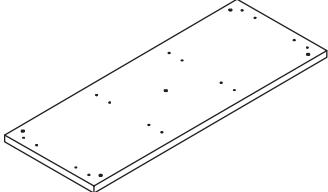
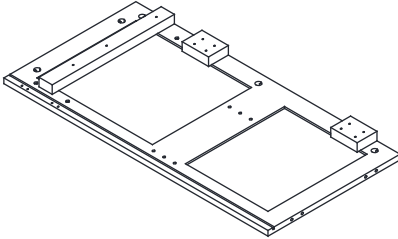
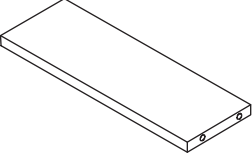
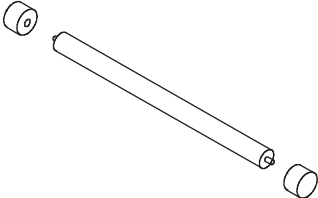
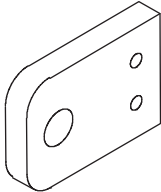
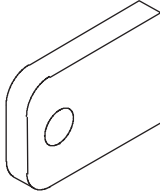
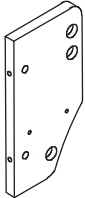
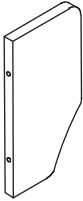
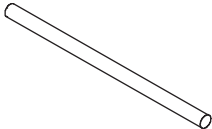
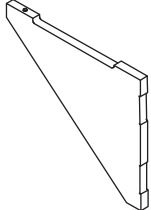
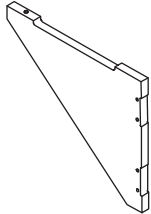

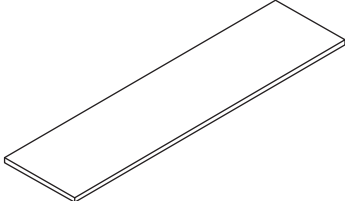
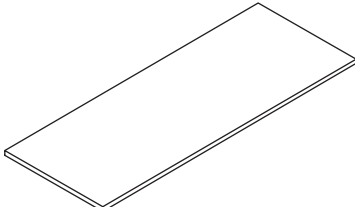
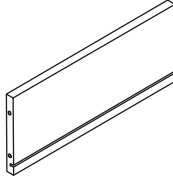
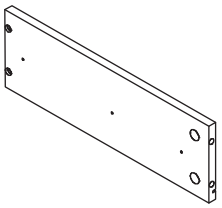
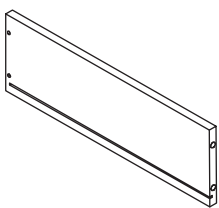
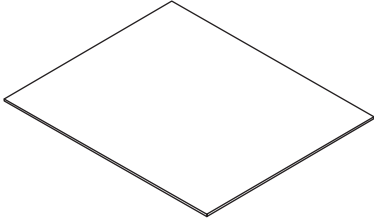
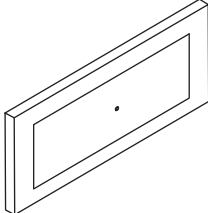
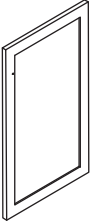
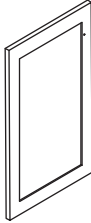
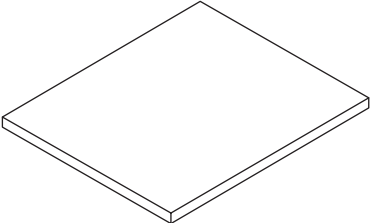
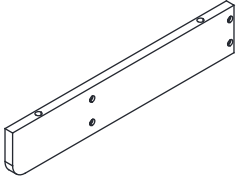
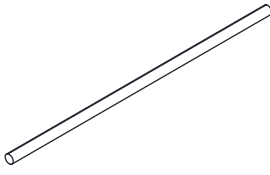
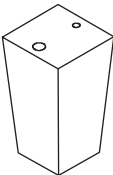
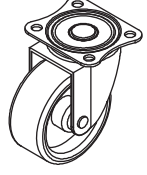
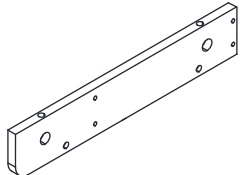
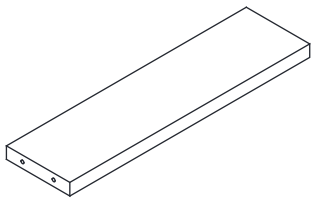
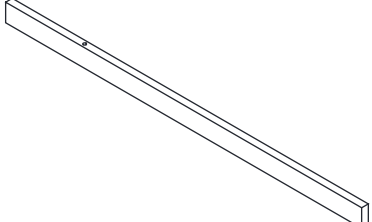
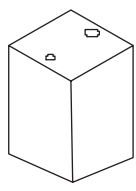
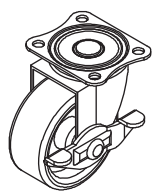
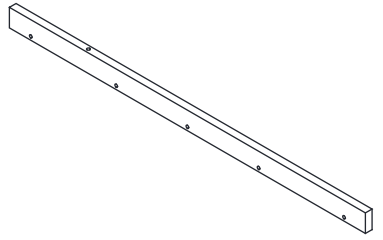



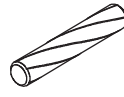
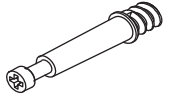

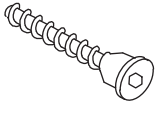
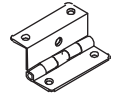
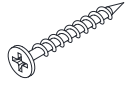

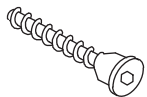



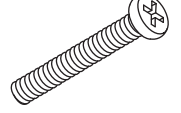
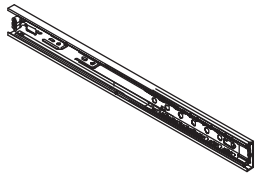
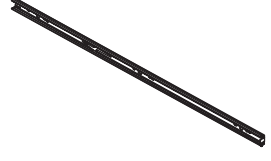
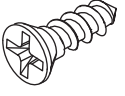
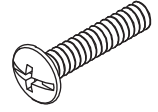
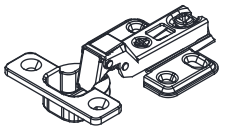

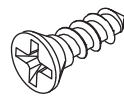

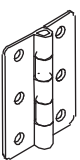
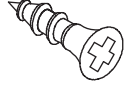
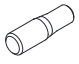
# ASSEMBLY INSRTRUCTION



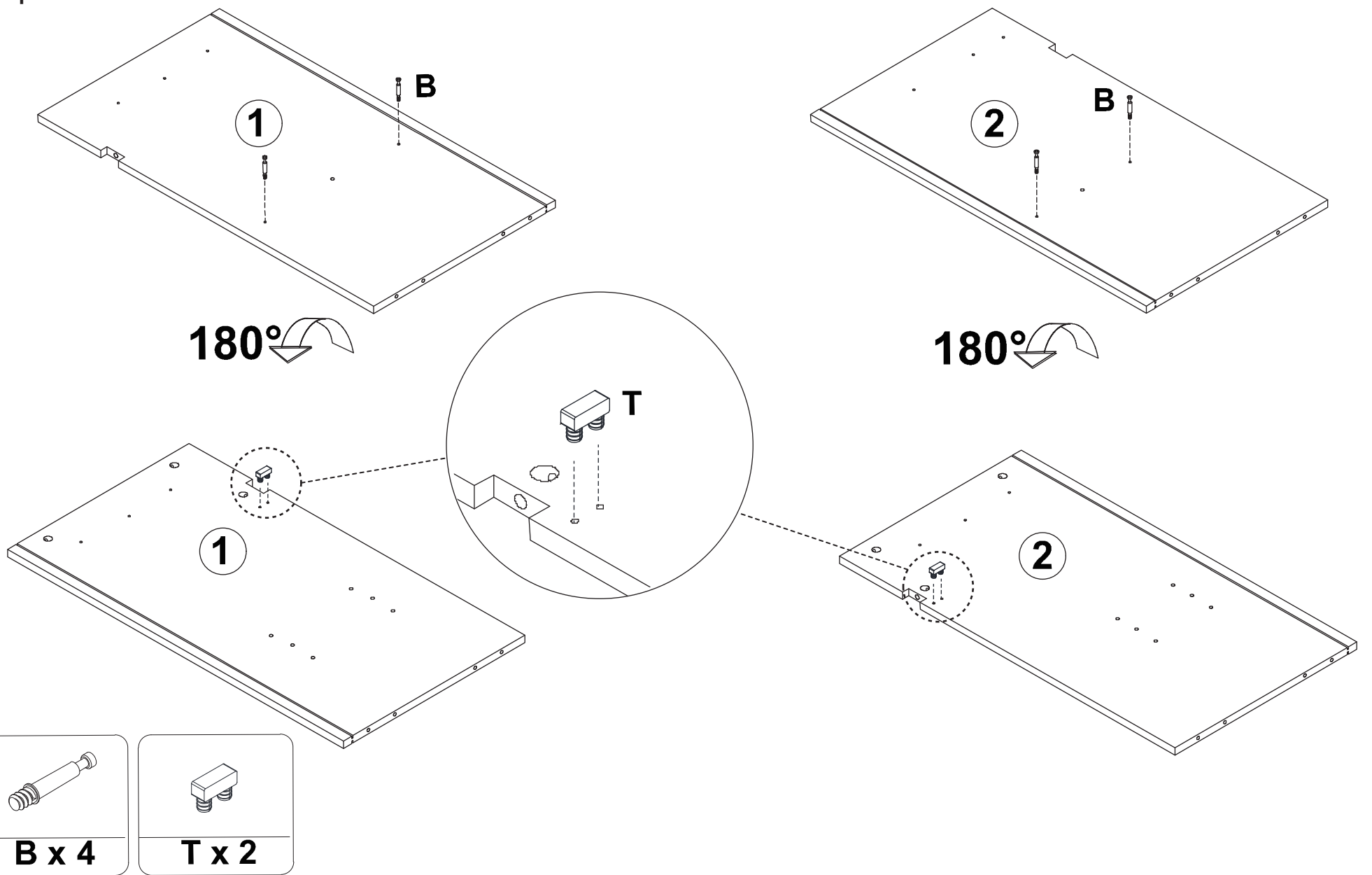


			
<b>① x 1</b>	<b>② x 1</b>	<b>③ x 1</b>	<b>④ x 1</b>
			
<b>⑤ x 1</b>	<b>⑥ x 1</b>	<b>⑦ x 1</b>	<b>⑧ x 1</b>
			
<b>⑨ x 1</b>	<b>⑩ x 1</b>	<b>⑪ x 1</b>	<b>⑫ x 1</b>
			
<b>⑬ x 1</b>	<b>⑭ x 3</b>	<b>⑮ x 1</b>	<b>⑯ x 1</b>
			
<b>⑰ x 2</b>	<b>⑱ x 1</b>	<b>⑲ x 1</b>	<b>⑳ x 3</b>
			
<b>㉑ x 3</b>	<b>㉒ x 3</b>	<b>㉓ x 3</b>	<b>㉔ x 3</b>
			
<b>㉕ x 1</b>	<b>㉖ x 1</b>	<b>㉗ x 2</b>	<b>㉘ x 2</b>

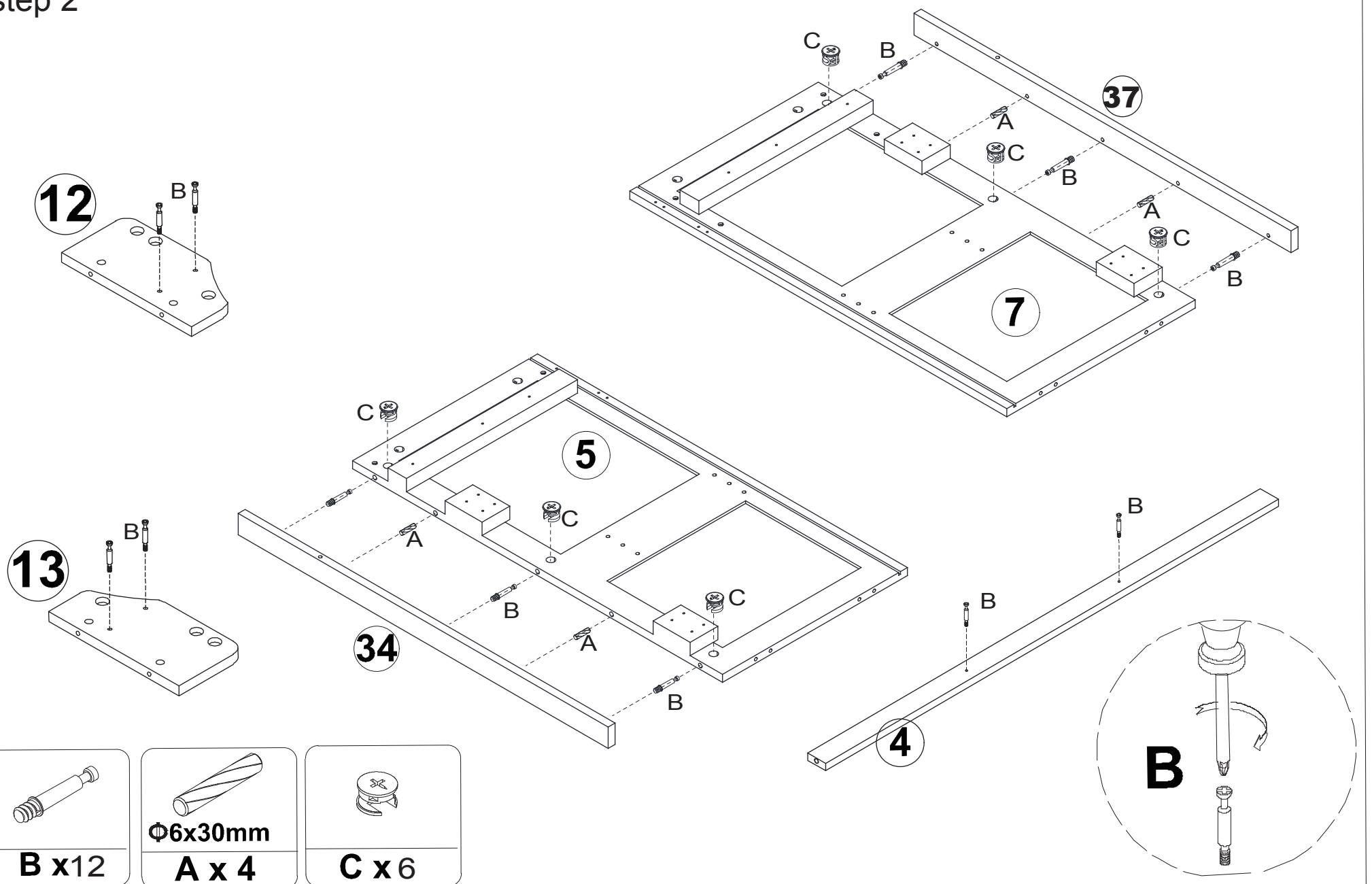
			
<b>29 x 4</b>	<b>30 x 4</b>	<b>31 x 3</b>	<b>32 x 2</b>
			
<b>33 x 4</b>	<b>34 x 1</b>	<b>35 x 1</b>	<b>36 x 2</b>
			
<b>37 x 1</b>	<b>38 x 1</b>		

					
<b>Φ6x30mm</b>			<b>Φ5x50mm</b>		<b>M4x40mm</b>
<b>A x 29</b>	<b>B x 44</b>	<b>C x 44</b>	<b>D x 4</b>	<b>E x 4</b>	<b>F x 4</b>
					
<b>Φ 4x14mm</b>	<b>M5x40mm</b>	<b>Φ4x35mm</b>	<b>J x 1</b>	<b>K x 8</b>	<b>M6x45mm</b>
<b>G x 20</b>	<b>H x 5</b>	<b>I x 28</b>			<b>L x 8</b>
					
<b>M x 6</b>	<b>N x 6</b>	<b>Φ3x12mm</b>	<b>Φ 4x14mm</b>	<b>Q x 4</b>	<b>R x 5</b>
<b>O x 36</b>			<b>P x 5</b>		
					
<b>Φ4x14mm</b>			<b>Φ3x14mm</b>		
<b>S x 24</b>	<b>T x 2</b>	<b>U x 3</b>	<b>V x 38</b>	<b>Wx8</b>	

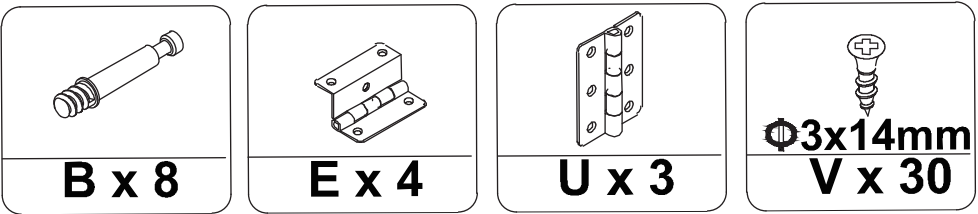
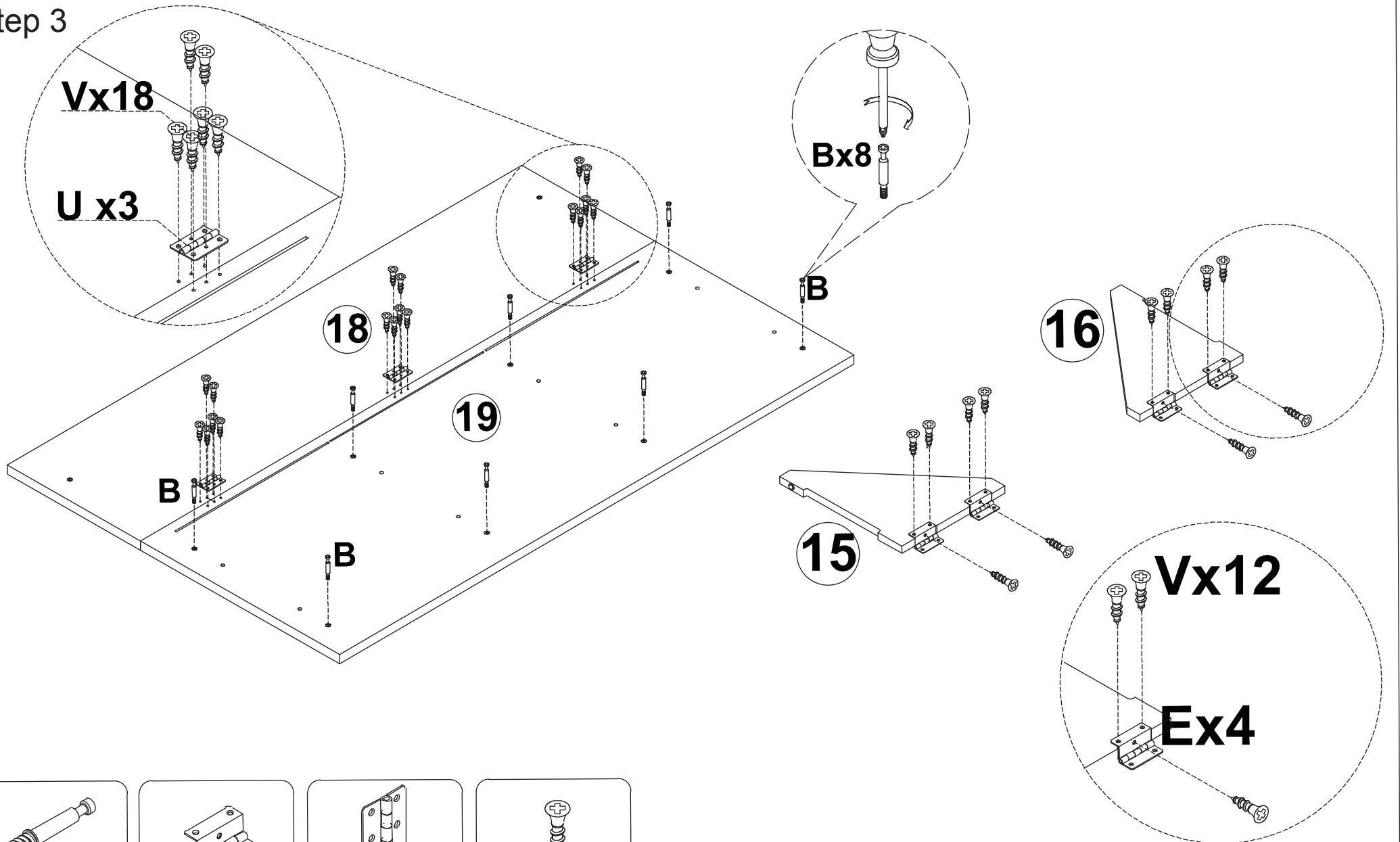
step 1



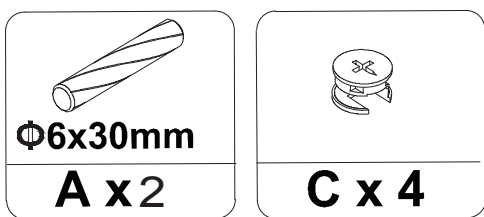
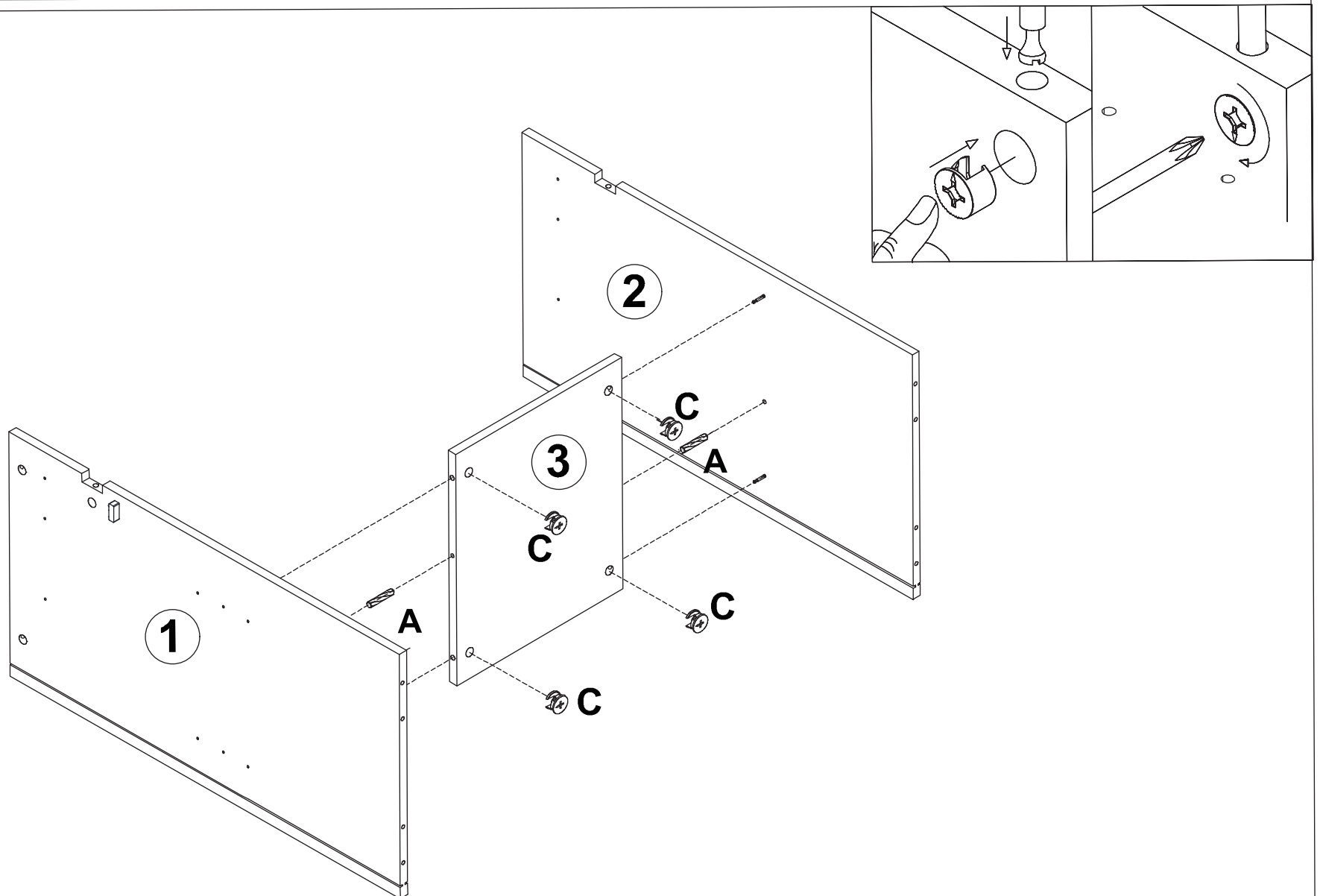
step 2



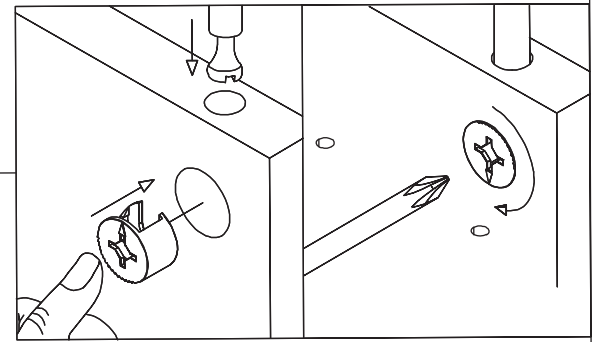
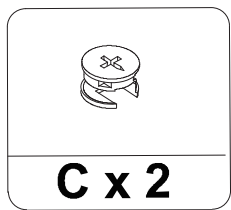
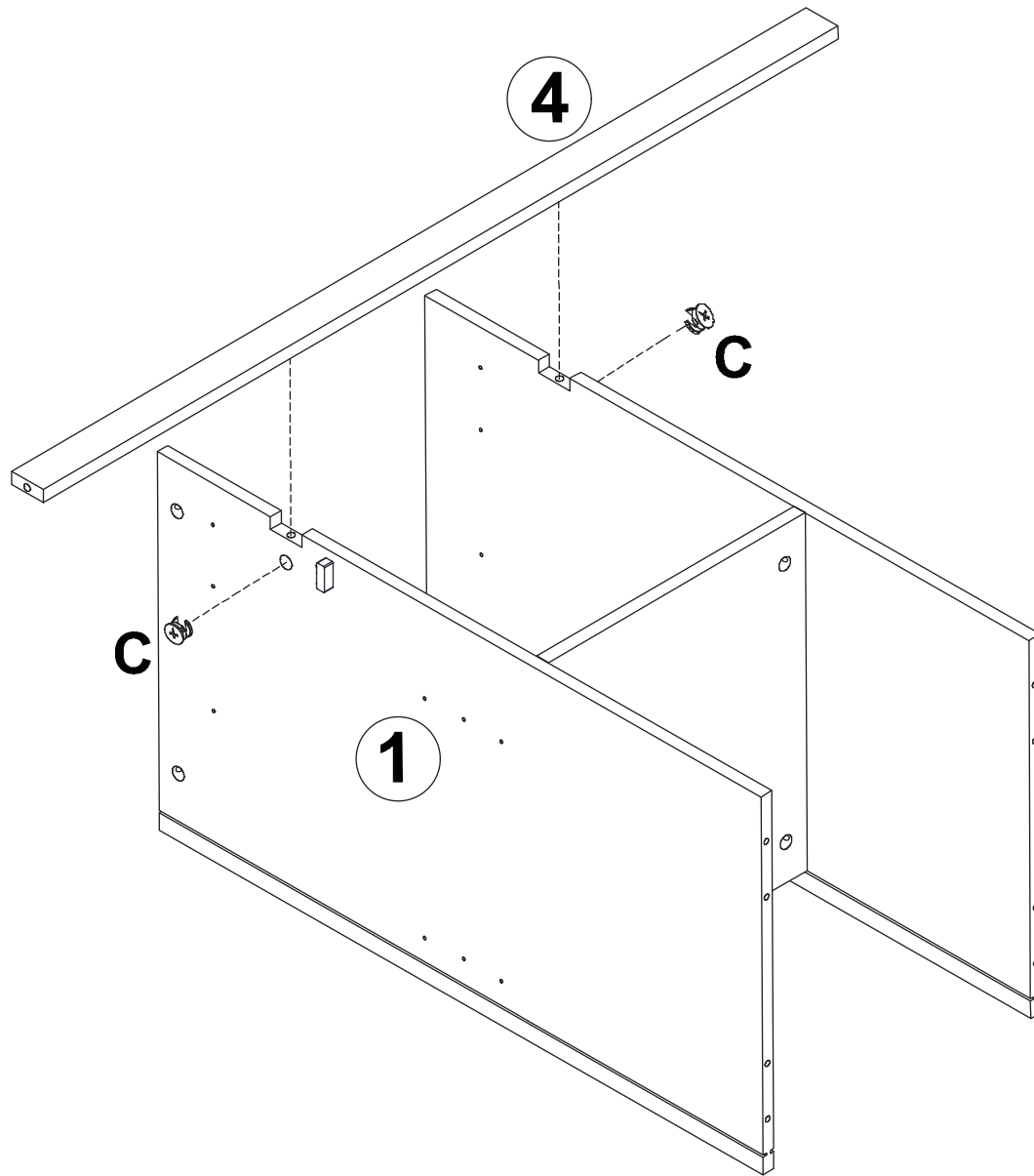
step 3



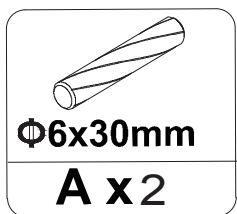
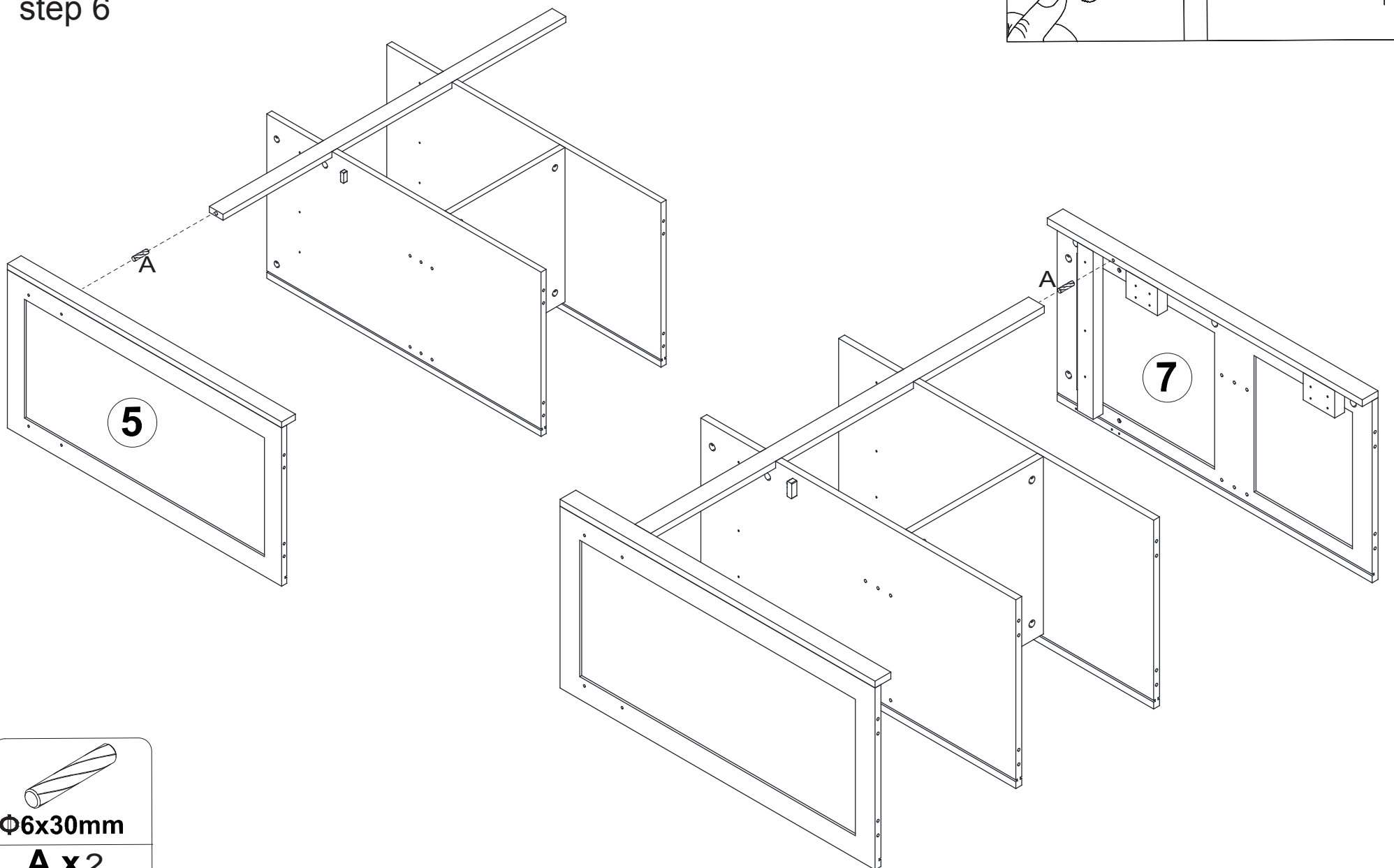
step 4



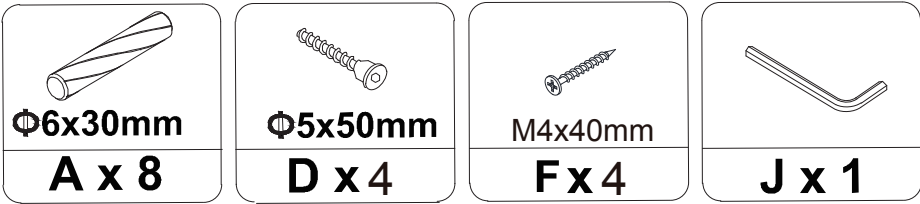
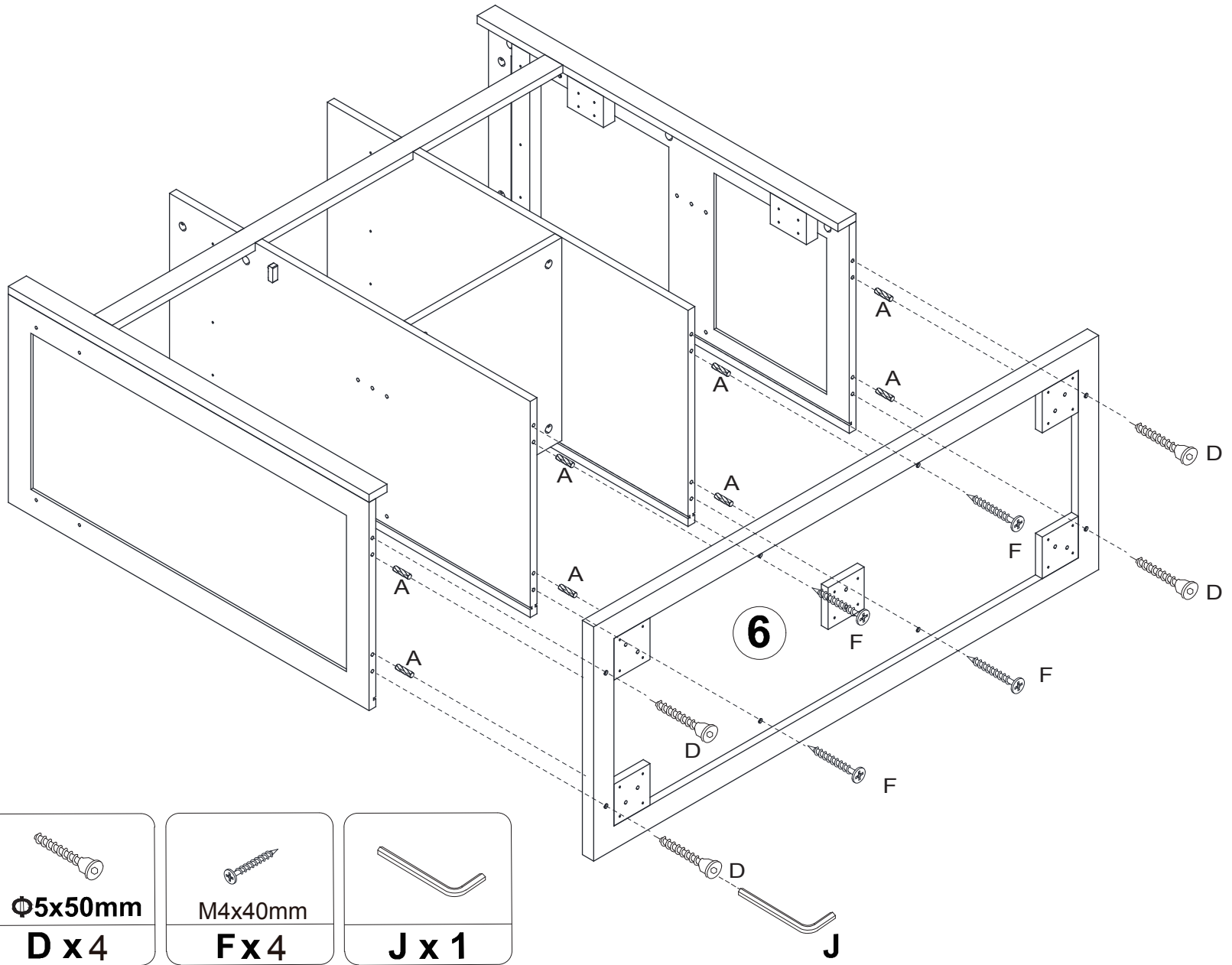
step 5



step 6



step 7

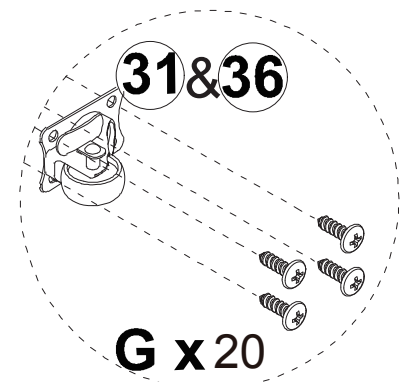
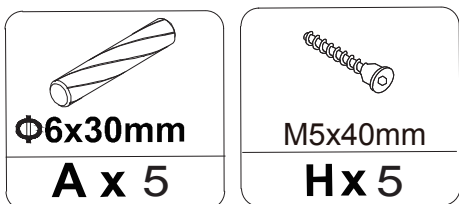
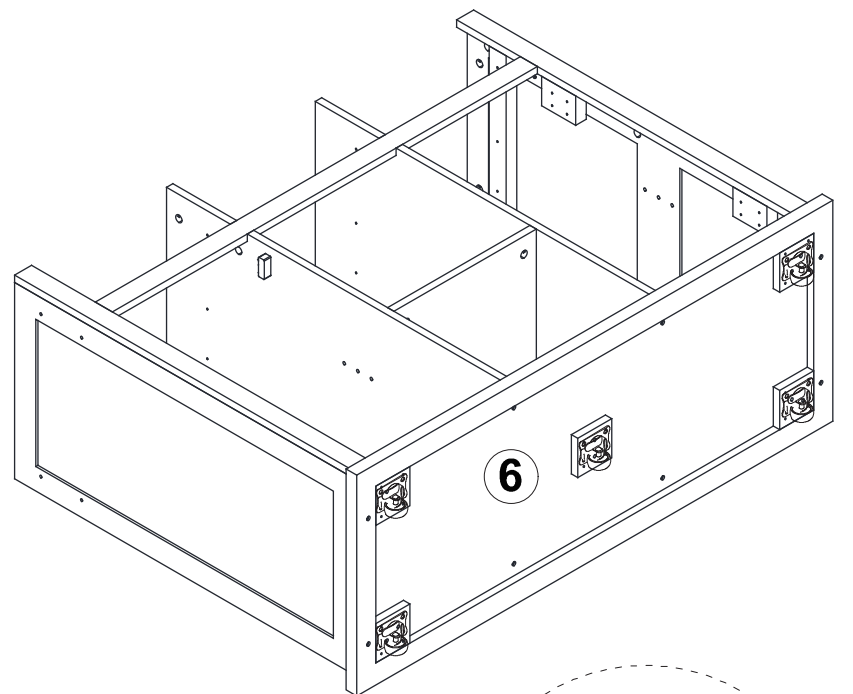
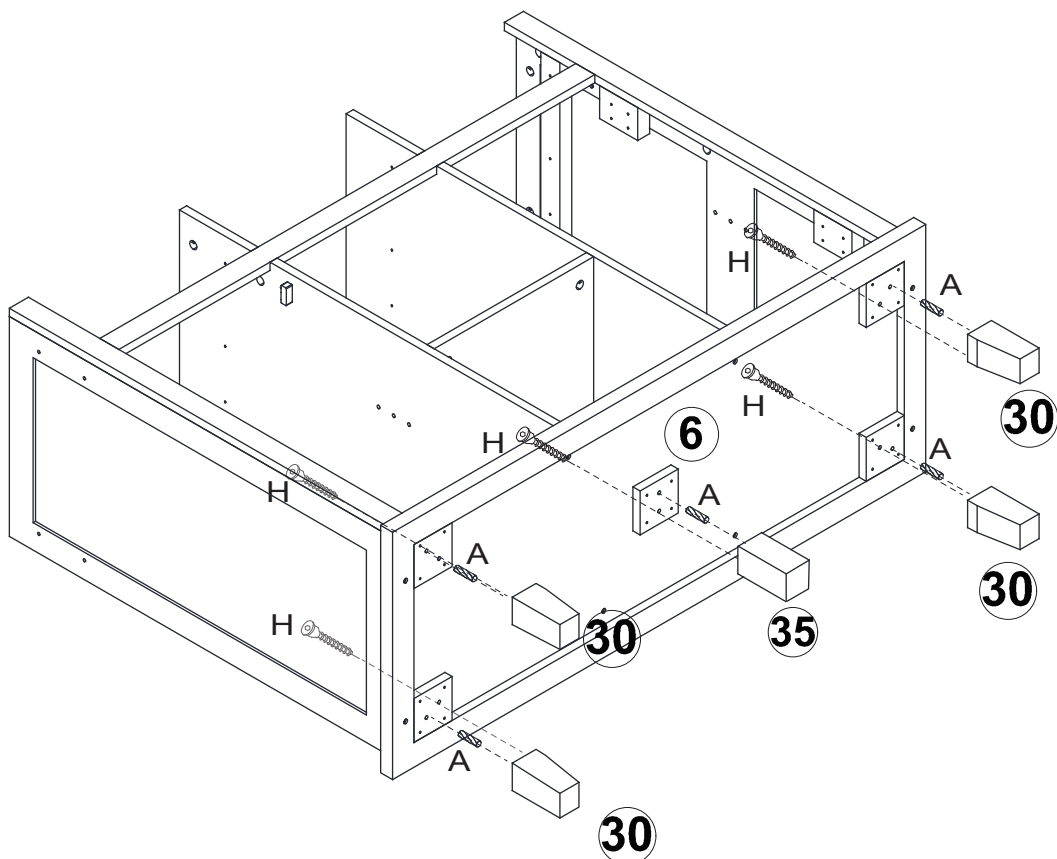


step 8

Plan 1

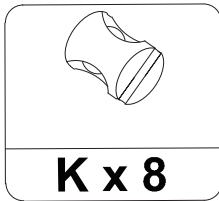
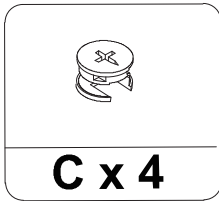
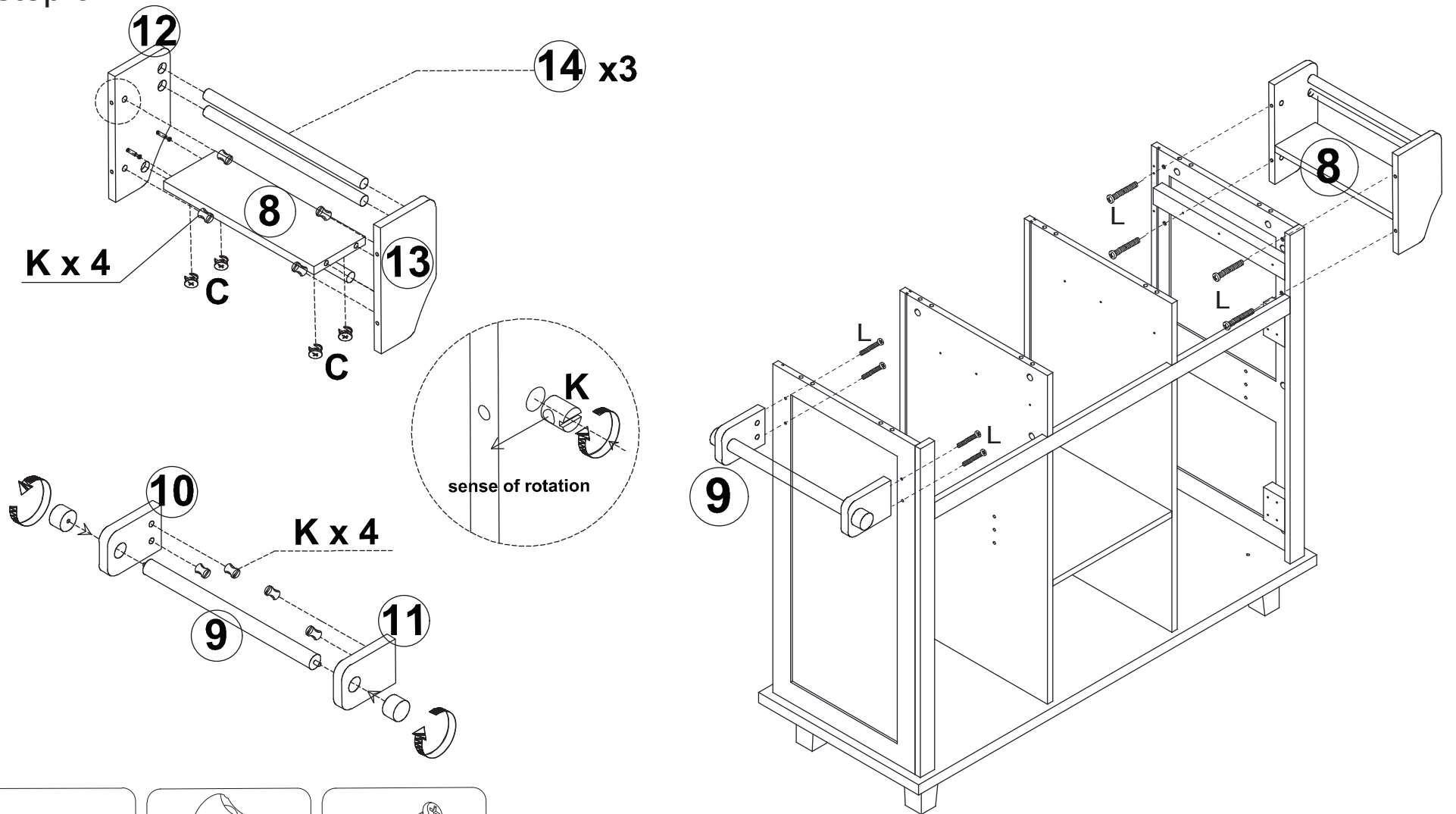
or

Plan 2

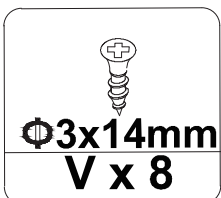
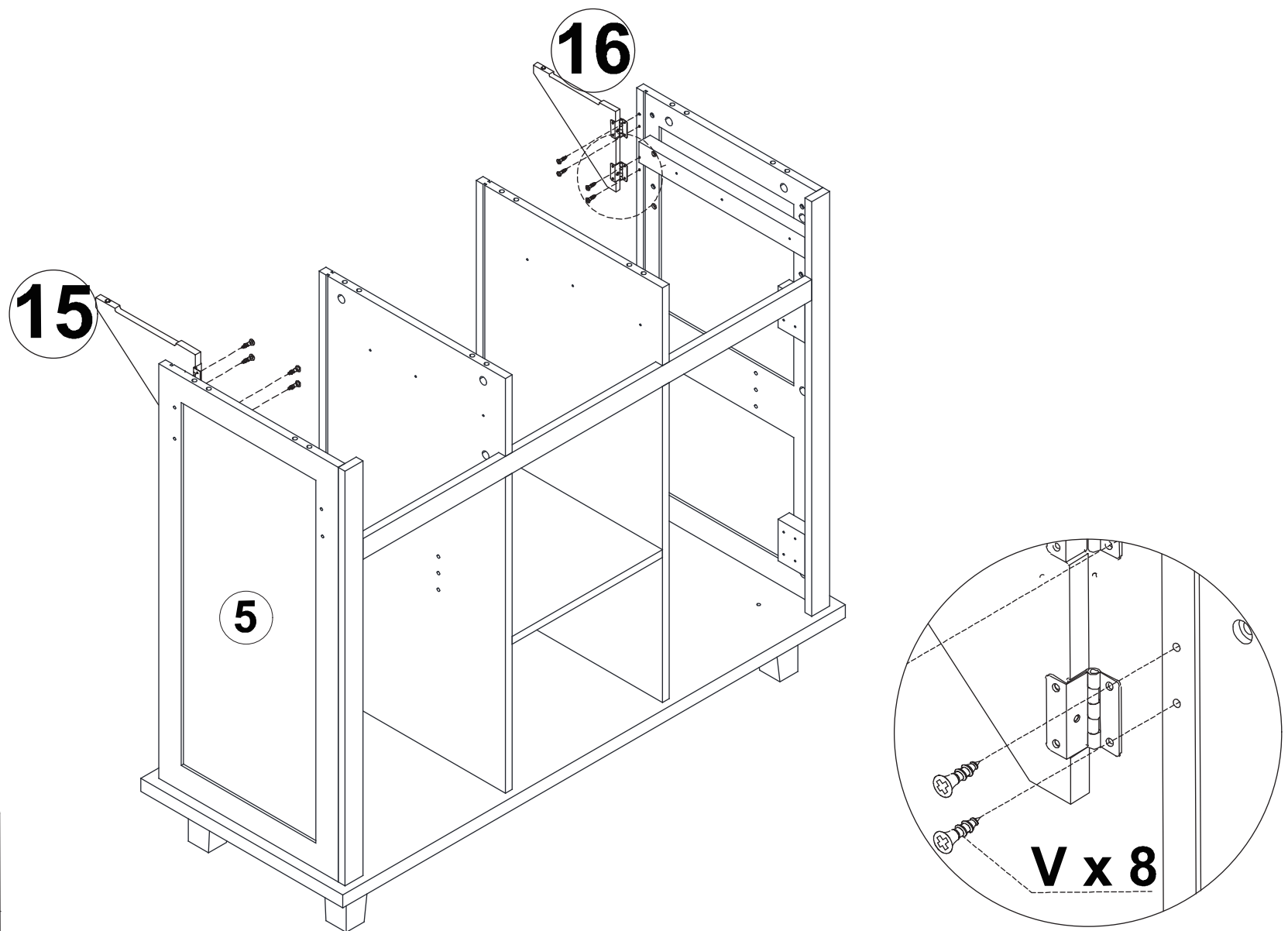




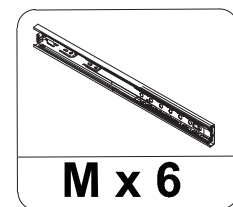
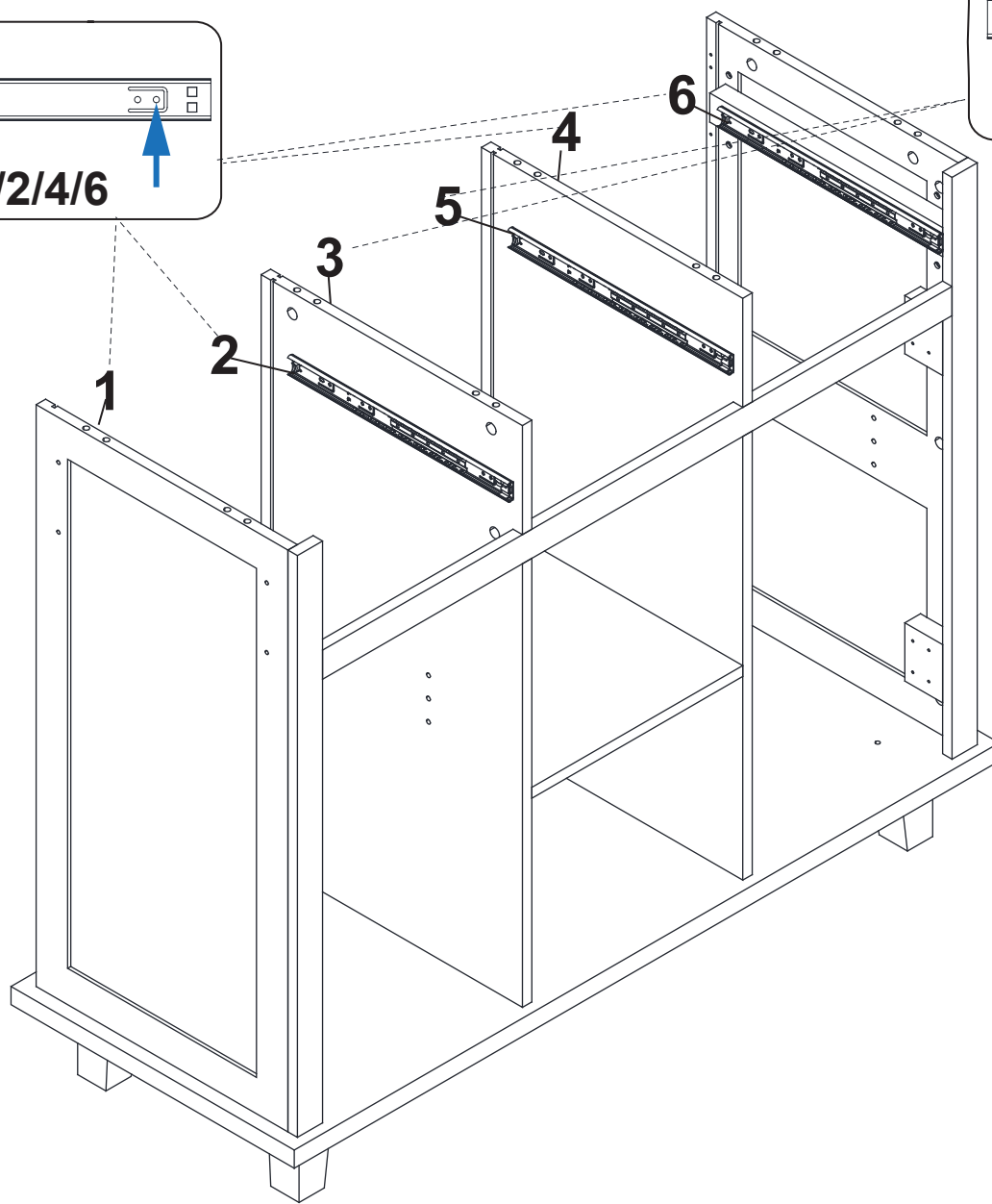
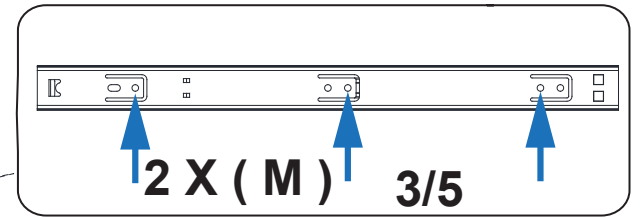
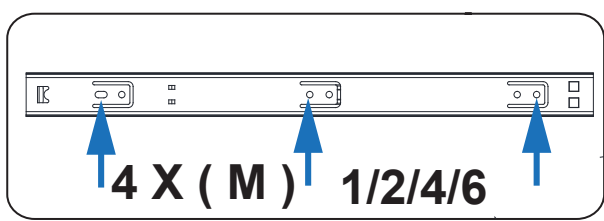
step 9



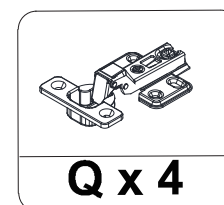
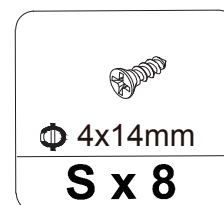
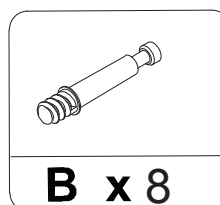
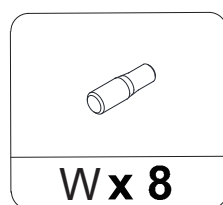
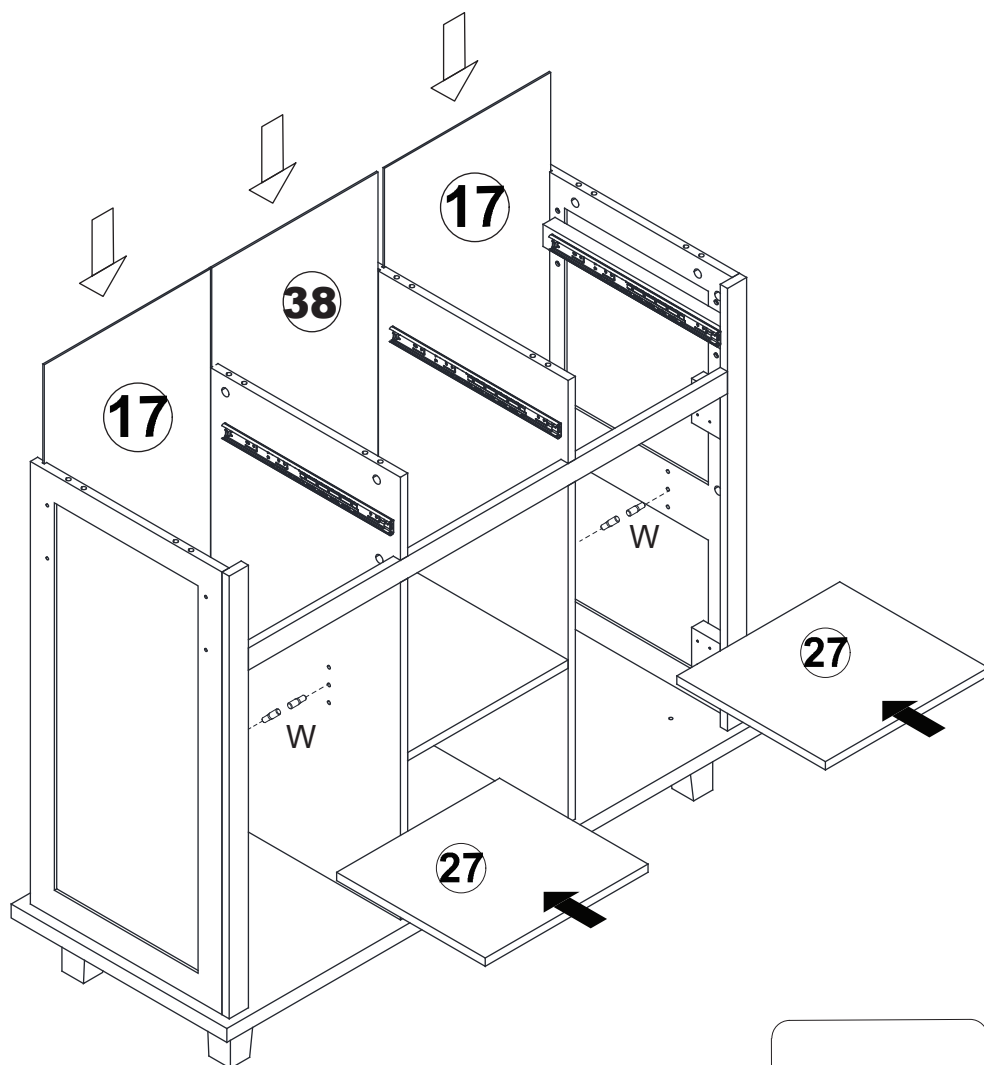
step 10



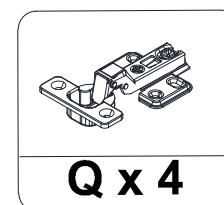
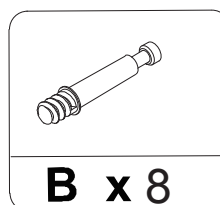
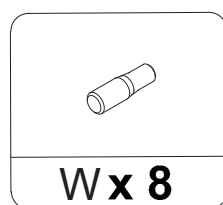
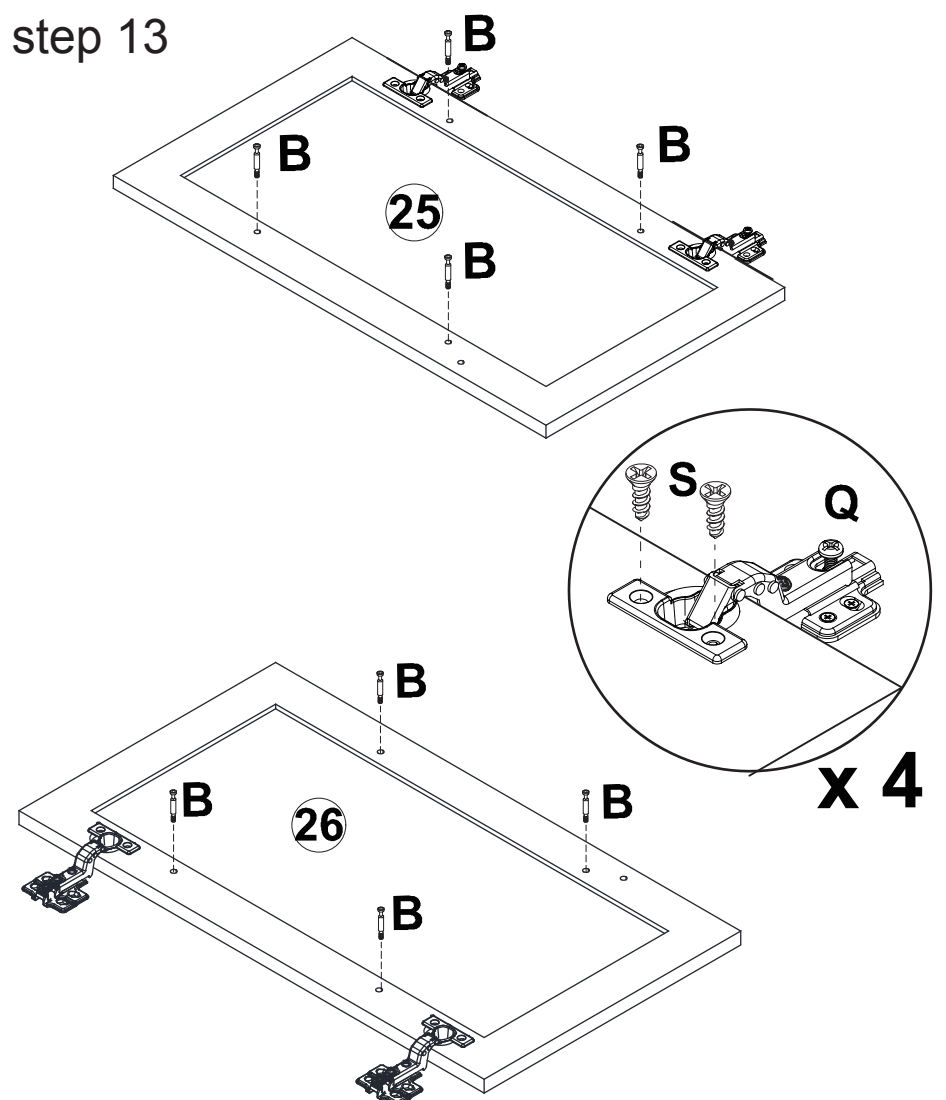
step 11



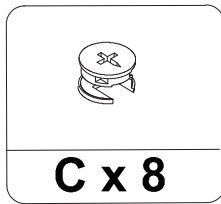
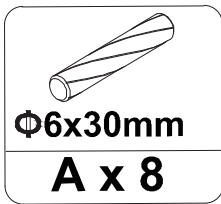
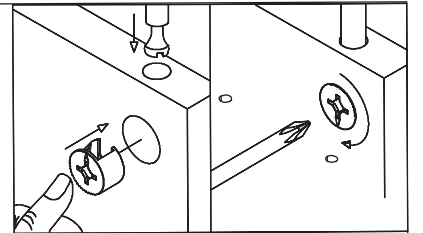
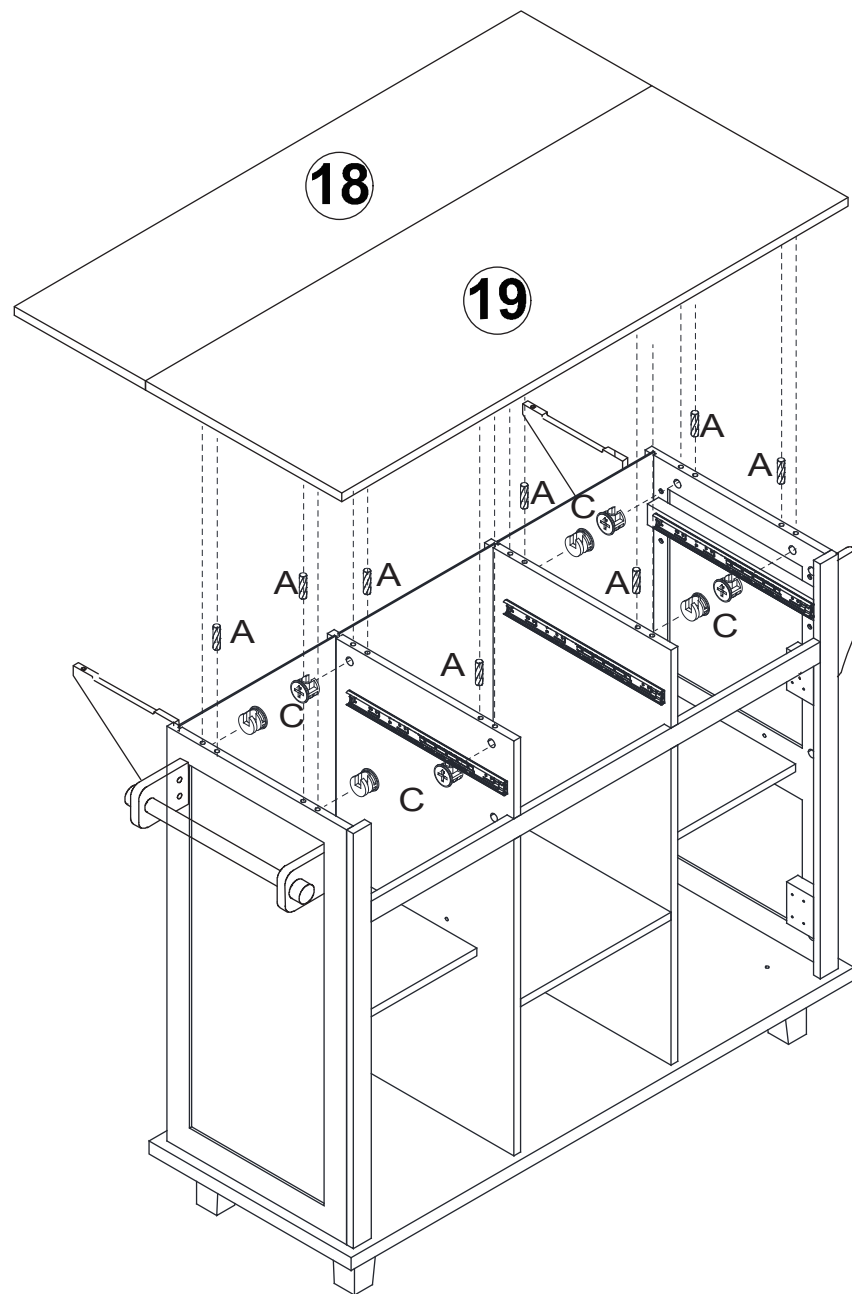
step 12



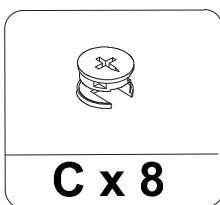
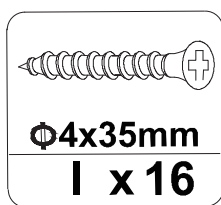
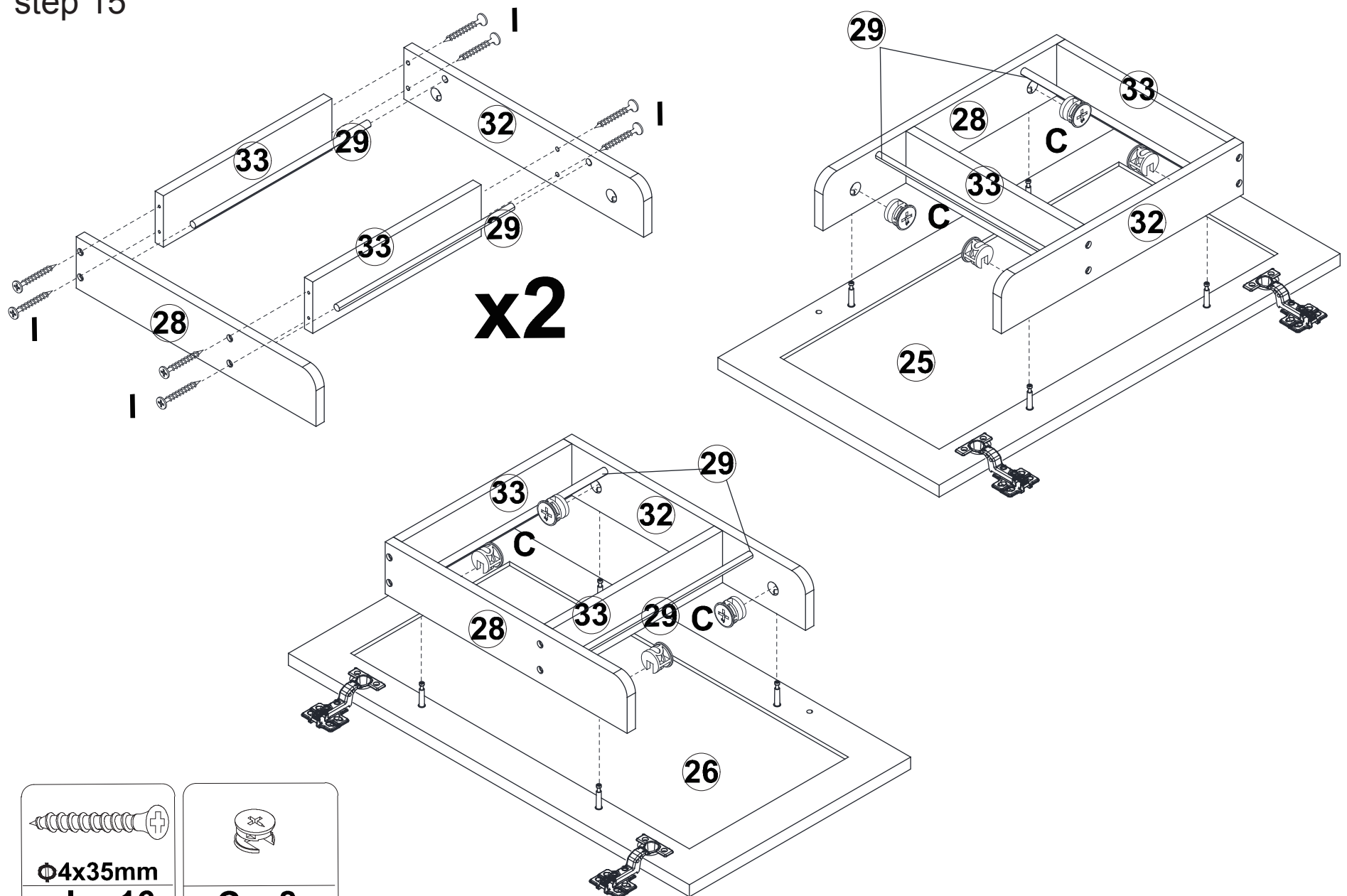
step 13



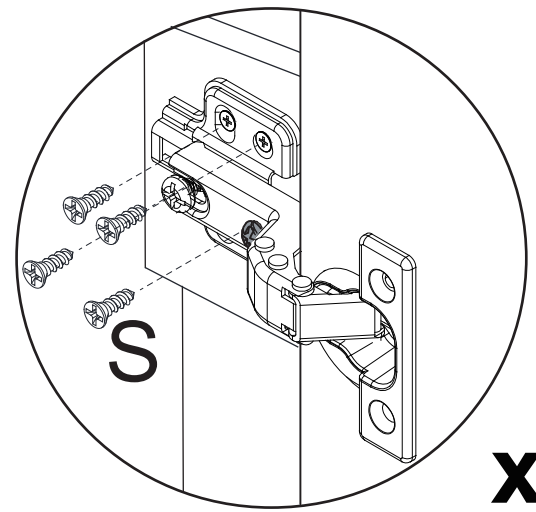
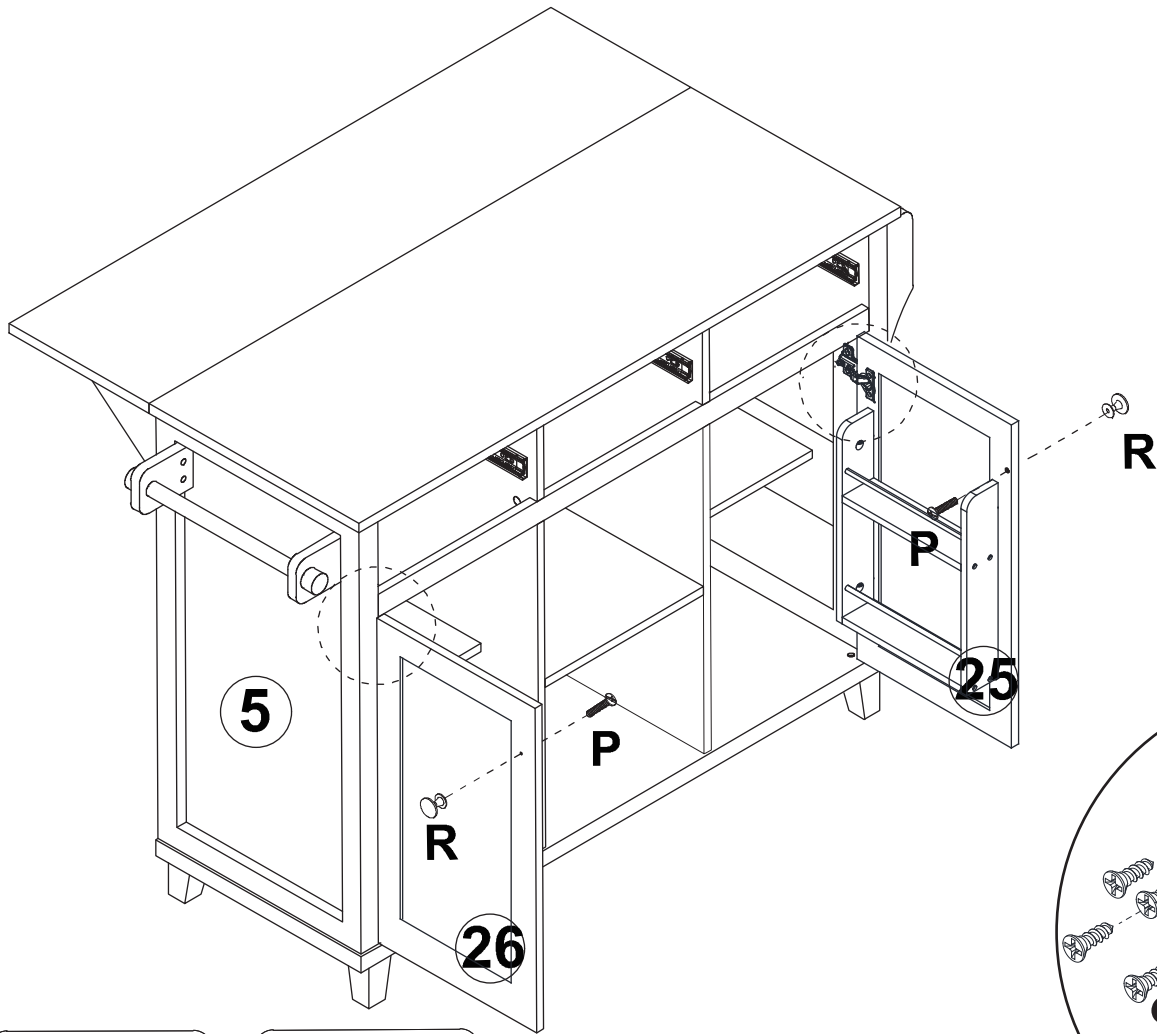
step 14



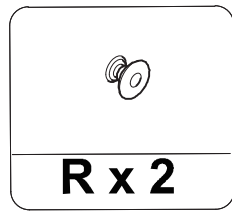
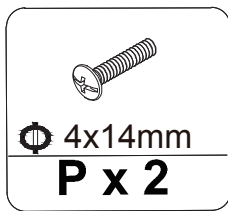
step 15



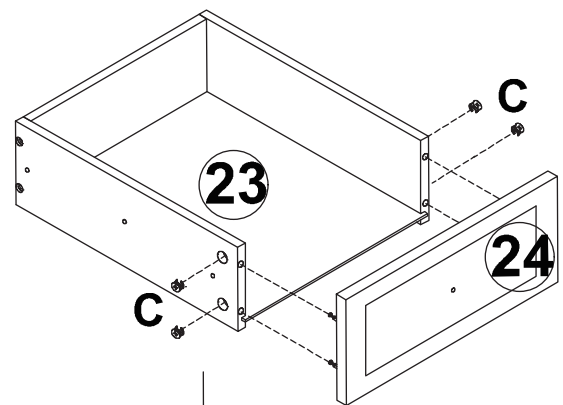
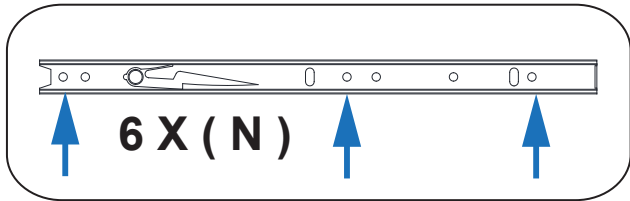
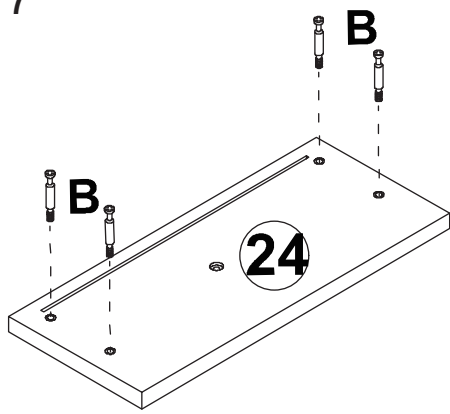
step 16



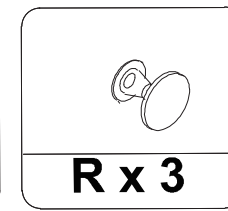
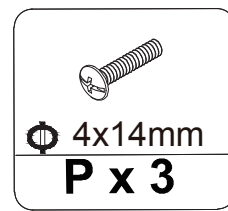
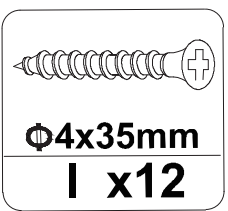
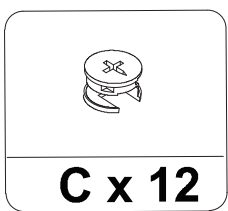
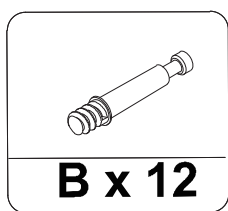
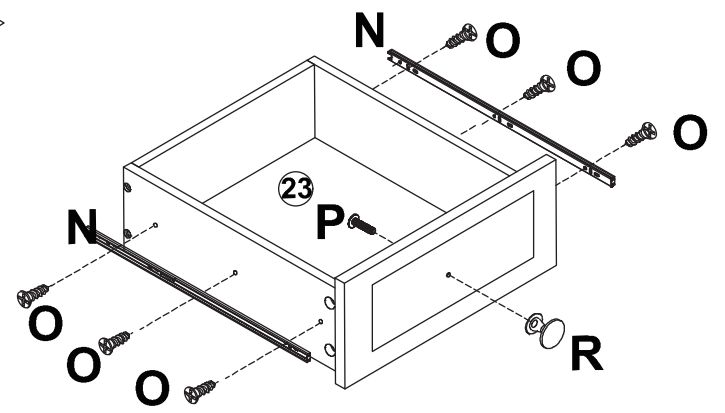
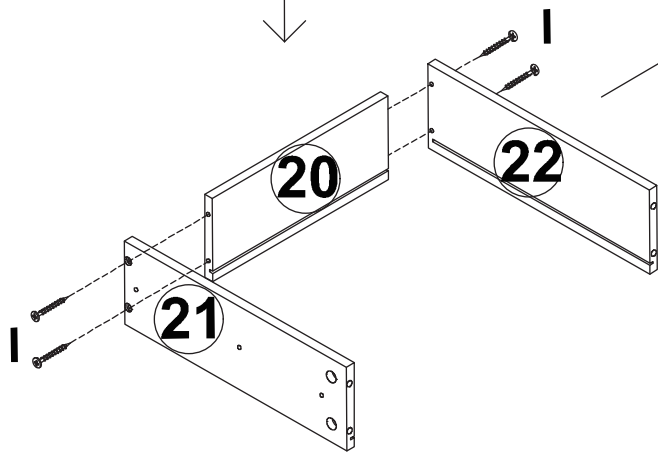
**x 4**



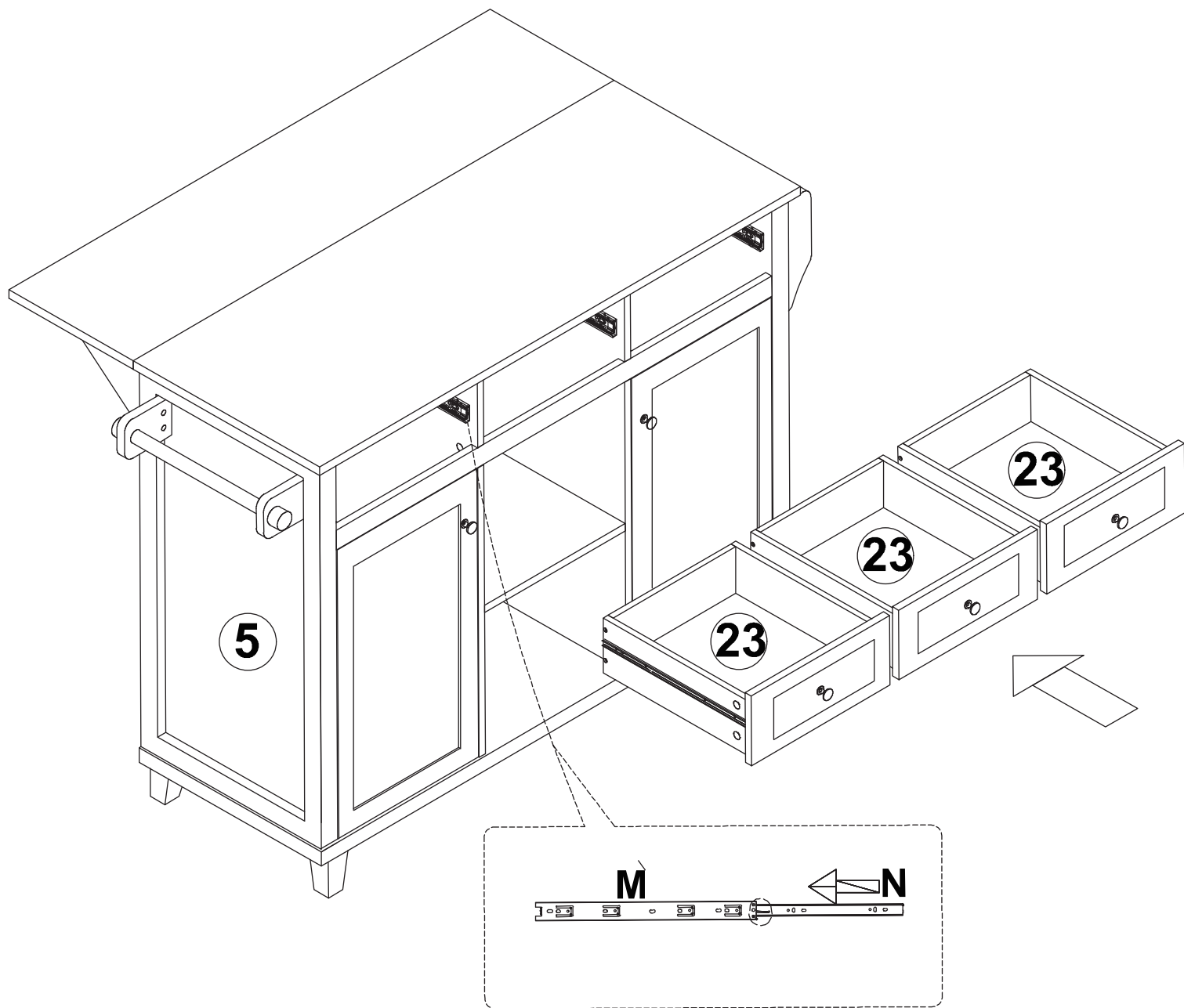
step 17



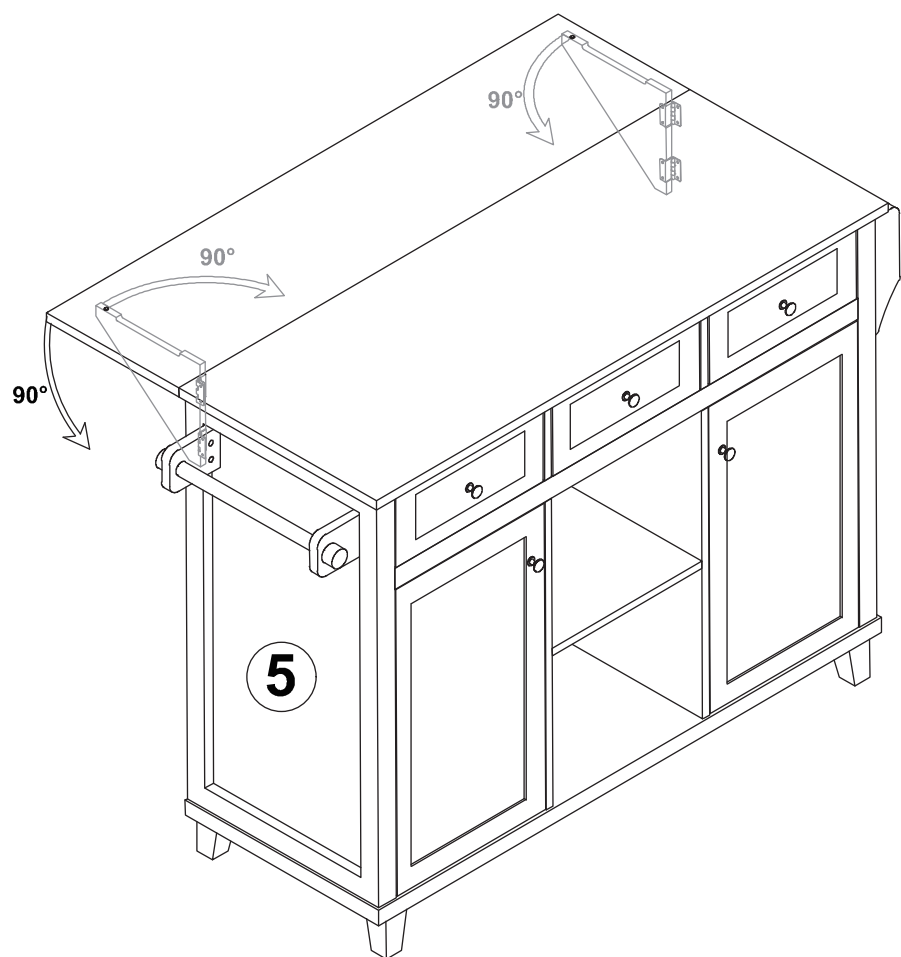
**x 3**



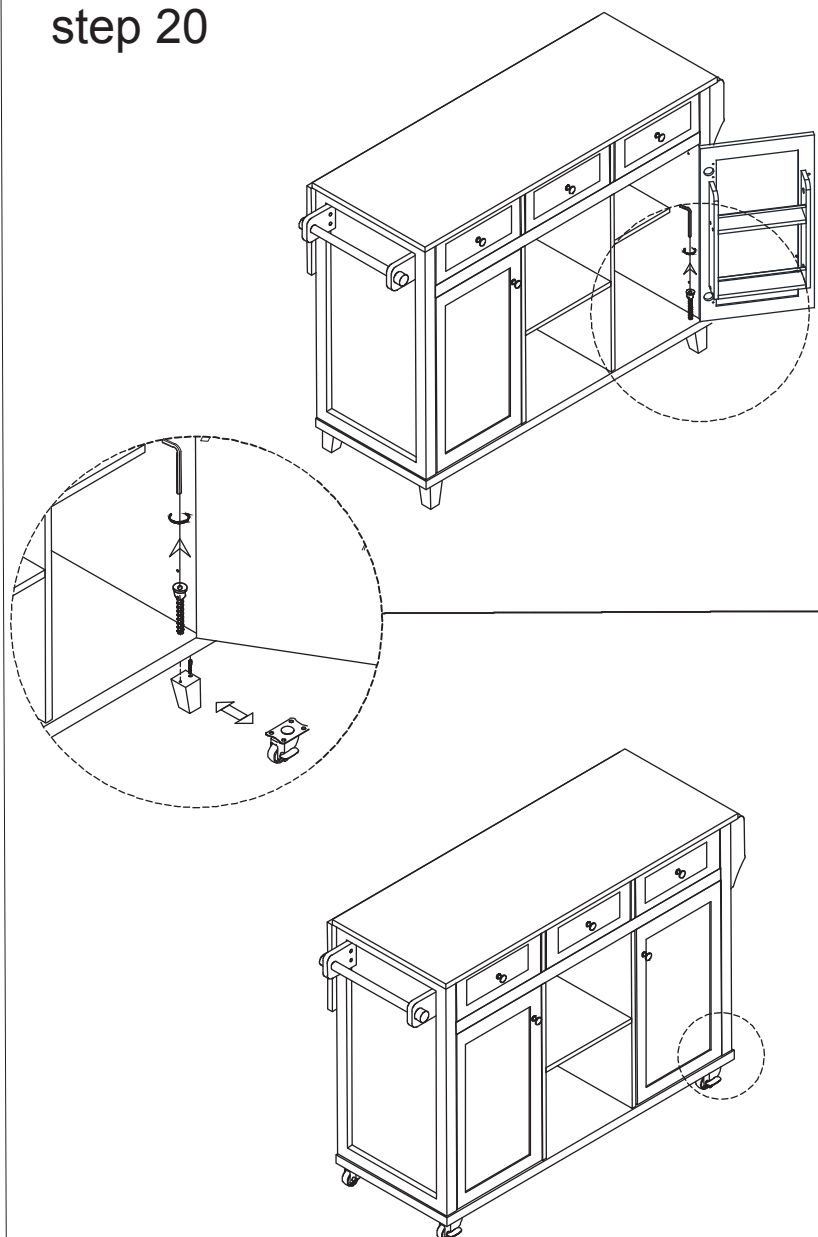
step 18



step 19



step 20



interchangeable