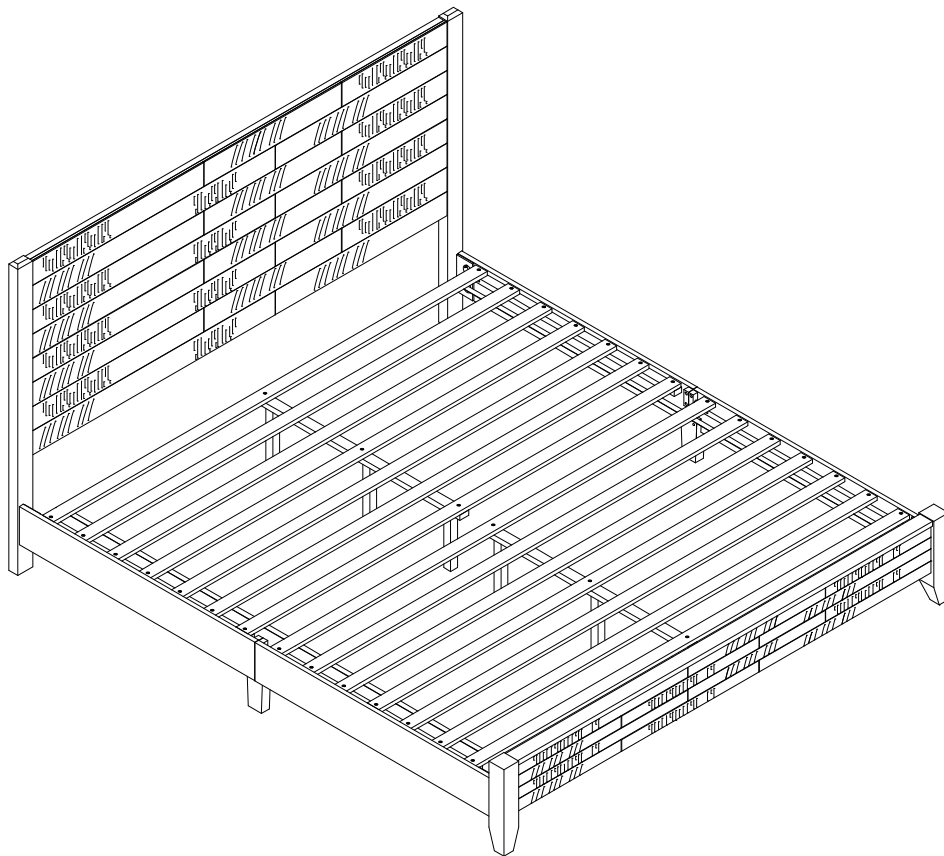


USER'S MANUAL

ECHO SERIES QUEEN & KING SIZE SOLID WOOD BED



Guide of Manual

- Thanks for your choice. **We will do our best to provide customer service for everyone.**
- Please check to make sure all parts are included as stated when you unpack. If there are parts missing or wrong, please contact us, **we will expeditiously provide reissue accessories, compensation or other services.**
- Instruction should be read carefully. But the manual may not cover every detail of all possible situations and steps. **Please contact us if further information and help are needed. We will respond in a timely manner.**
- **Please be patient that the other items are on the way if you buy more than one product.**

Warning

- It's kindly advised to assemble this product on a carpeted floor to protect it from being scratched.
- Small parts are included. Please keep the product away from children while assembling. Do not let children play or jump on the product. Do not stand on the item or use as a step ladder.
- Please pay attention to the sharp corners during assembly. We recommend the use of gloves to prevent the undesired injury.
- Prior to use, please check to see if there's any loosening screw or part. Make sure that each screw and part is correctly installed and securely fastened.
- It's unnecessary to use electric drill. Please at a low gear if you need.

Care and Maintenance

- Use a soft, clean cloth that will not scratch the surface when dusting.
- There's no need to use furniture polish. If you need, test it first in an inconspicuous area. Using solvents of any kind on your furniture may damage the finish. Never use water to clean your furniture as it may cause damage to the finish.
- Liquid spills should be removed immediately. Gently blot the spill with a soft clean cloth to avoid rubbing.
- Oil sealing regularly is not needed.

Further Advice about the Furniture Care


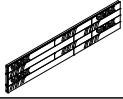
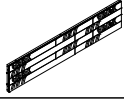
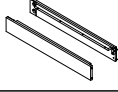
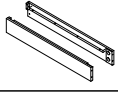



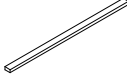
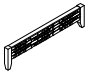
- It is best to keep your furniture in a climate-controlled environment.
- Do not expose the product to the hot sun for a long time, and don't keep the item near to heat and fire sources such as heat vent, stove, fireplaces, radiators, etc.
- Following these important and helpful tips will help retain your furniture's performance even when it ages.
- Periodically (every 90 days) make sure the screws are fully tightened.

Max Weight Capacity



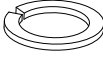

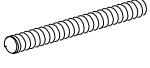
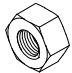
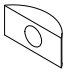



- **800lbs [Do not stand on the item]**

Parts and hardware list :

Parts list

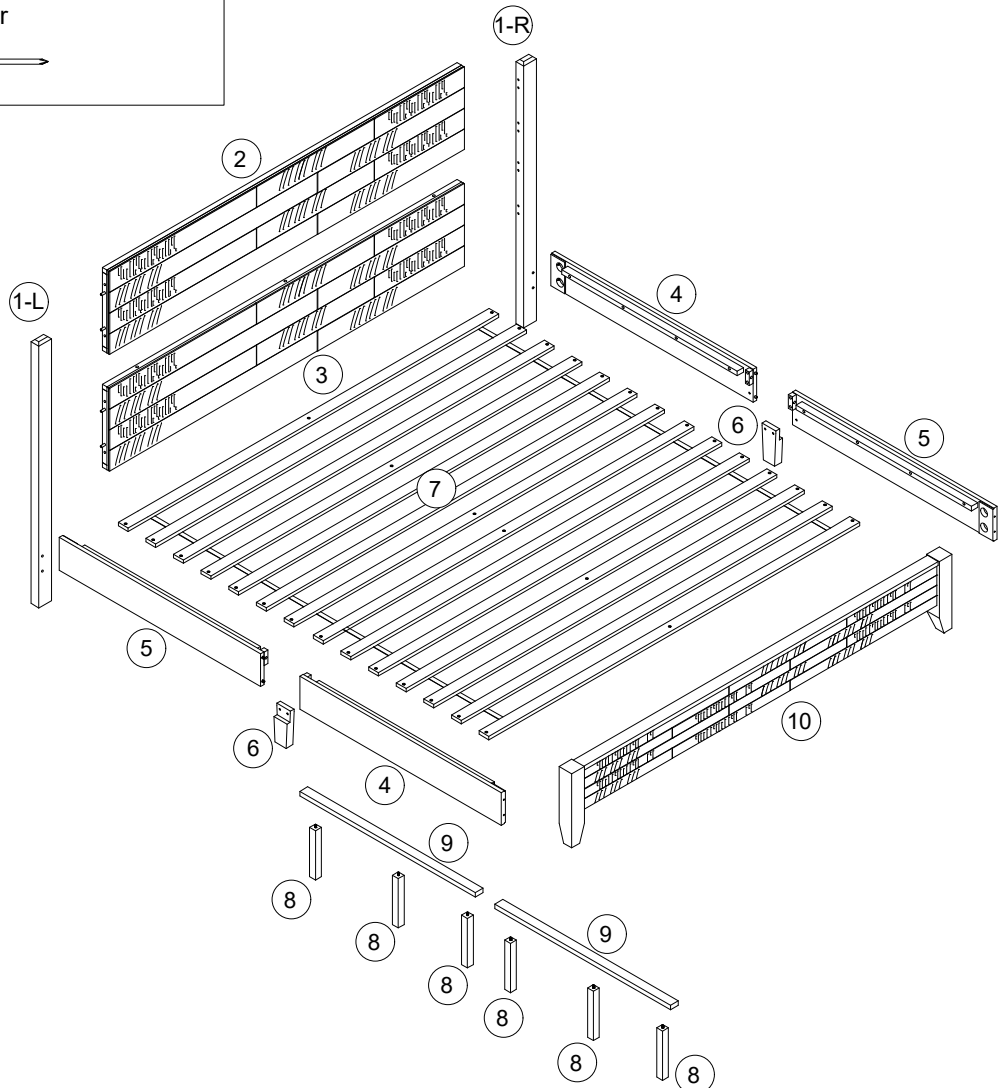
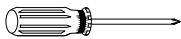
① x2pcs Headboard Leg L/R 	② x1pc Headboard Top panel 	③ x1pc Headboard Bottom panel 	④ x2pcs Side Panels 	⑤ x2pcs Side Panels 
⑥ x2pcs Legs For Side Panels 	⑦ x1pc Slat 	⑧ x6pcs Support Leg For Slats 	⑨ x2pcs Support Bars 	⑩ x1pc Footboard 

Hardware list

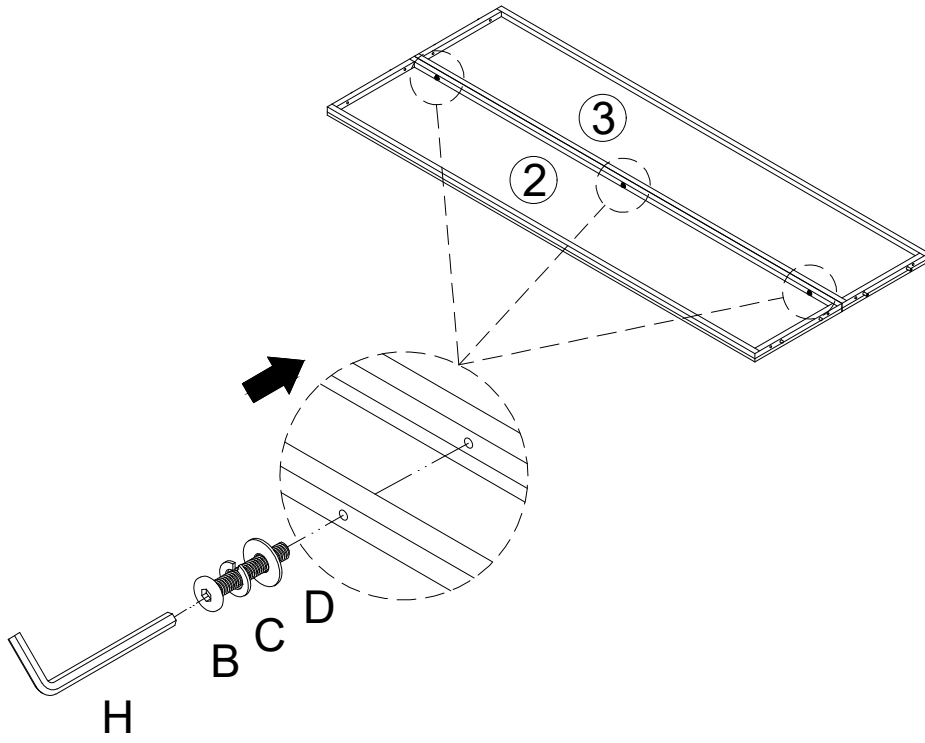
A x 8+1pcs CBC Bolt: 1/4*45 	B x 9+1pcs CBC Bolt: 1/4*32 	C x 17+2pcs Spring washer: 1/4 	D x 17+2pcs Flat washer: 1/4 	E x 8+1pcs Full thread bolt: 5/6*80 
F x 8+1pcs NUT washer: 5/6 	G x 8+1pcs Curved Washer: 5/6 	H x 1pc Allen Key: L60*4 	I x 1pcs Wrench key: 12*90 	J x 34+6pcs Wood Screw: 8*25 

TOOLS REQUIRED (NOT PROVIDED)

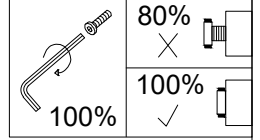
Screwdriver



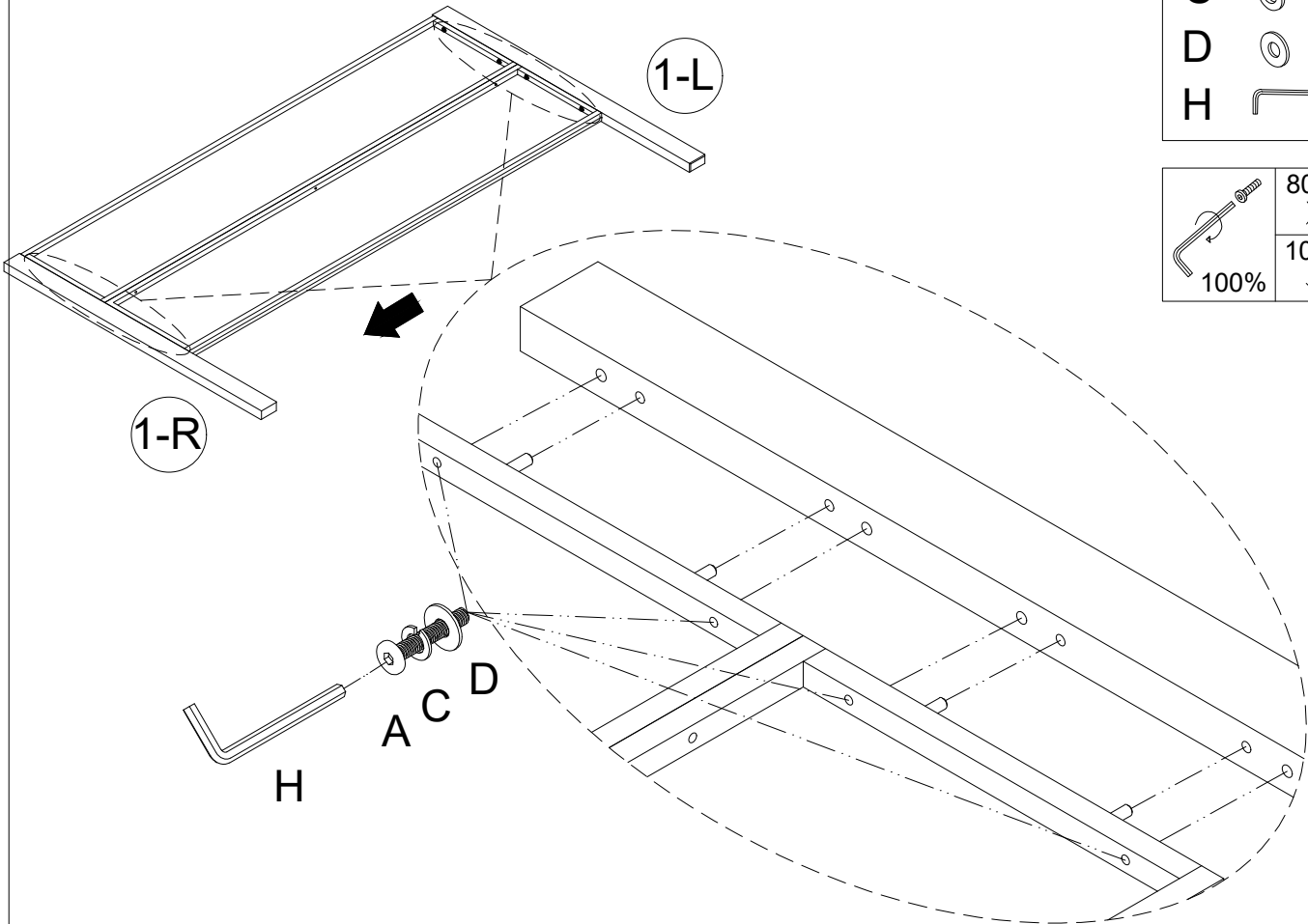
1 Please tighten bolt B to 100%.



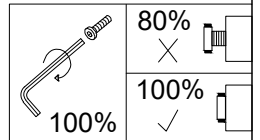
B		3
C		3
D		3
H		1



2 Please tighten bolt A to 100%.

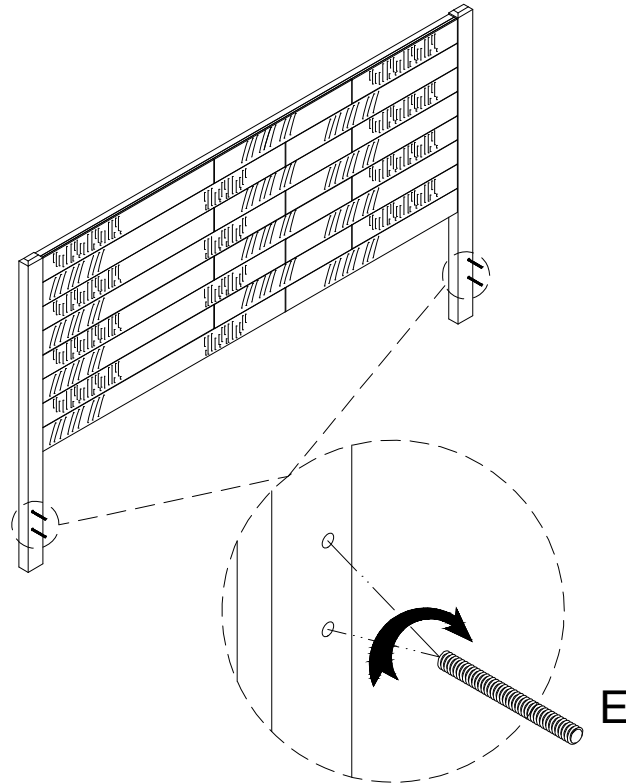


A		8
C		8
D		8
H		1







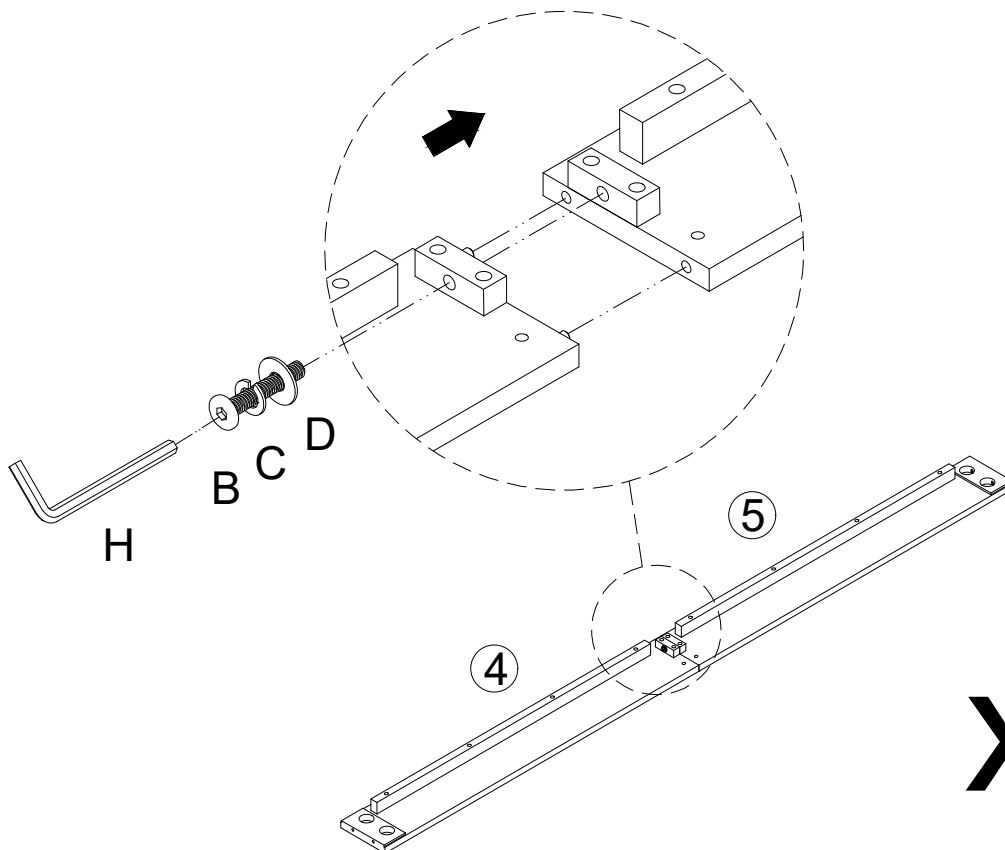
3



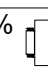
E  4



4 Please tighten bolt B to 100%.

B		2
C		2
D		2
H		1

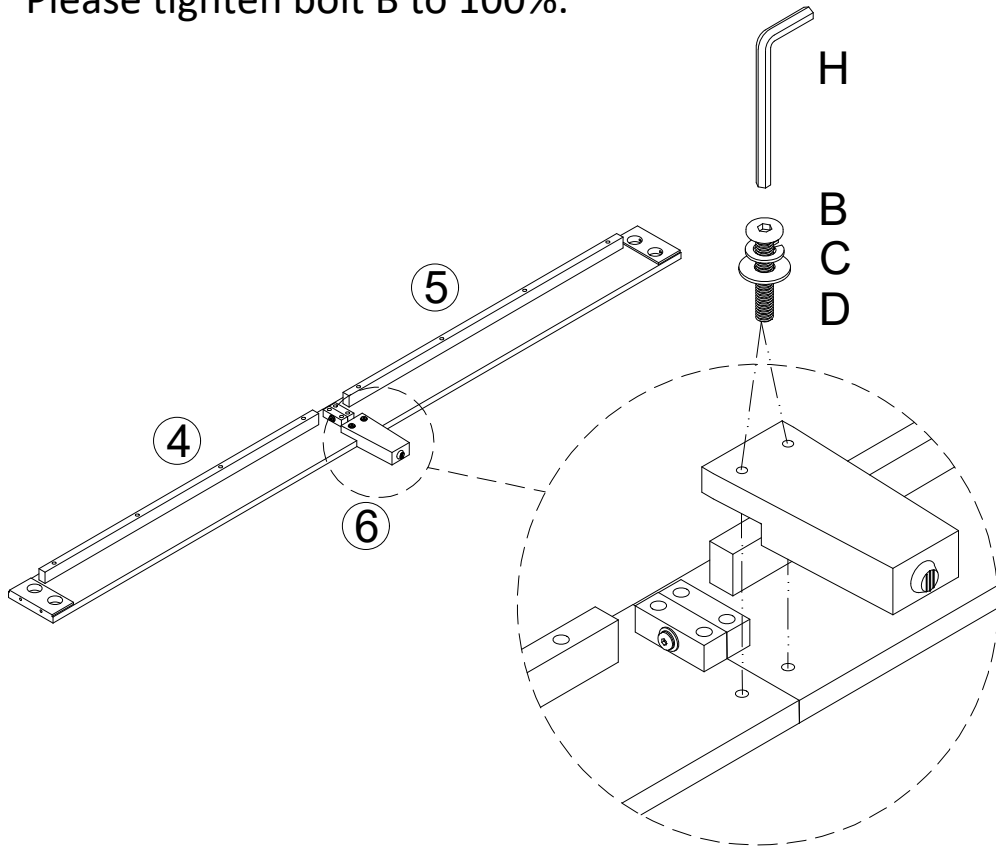
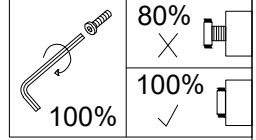


	80%	
	100%	

x2

5 Please tighten bolt B to 100%.

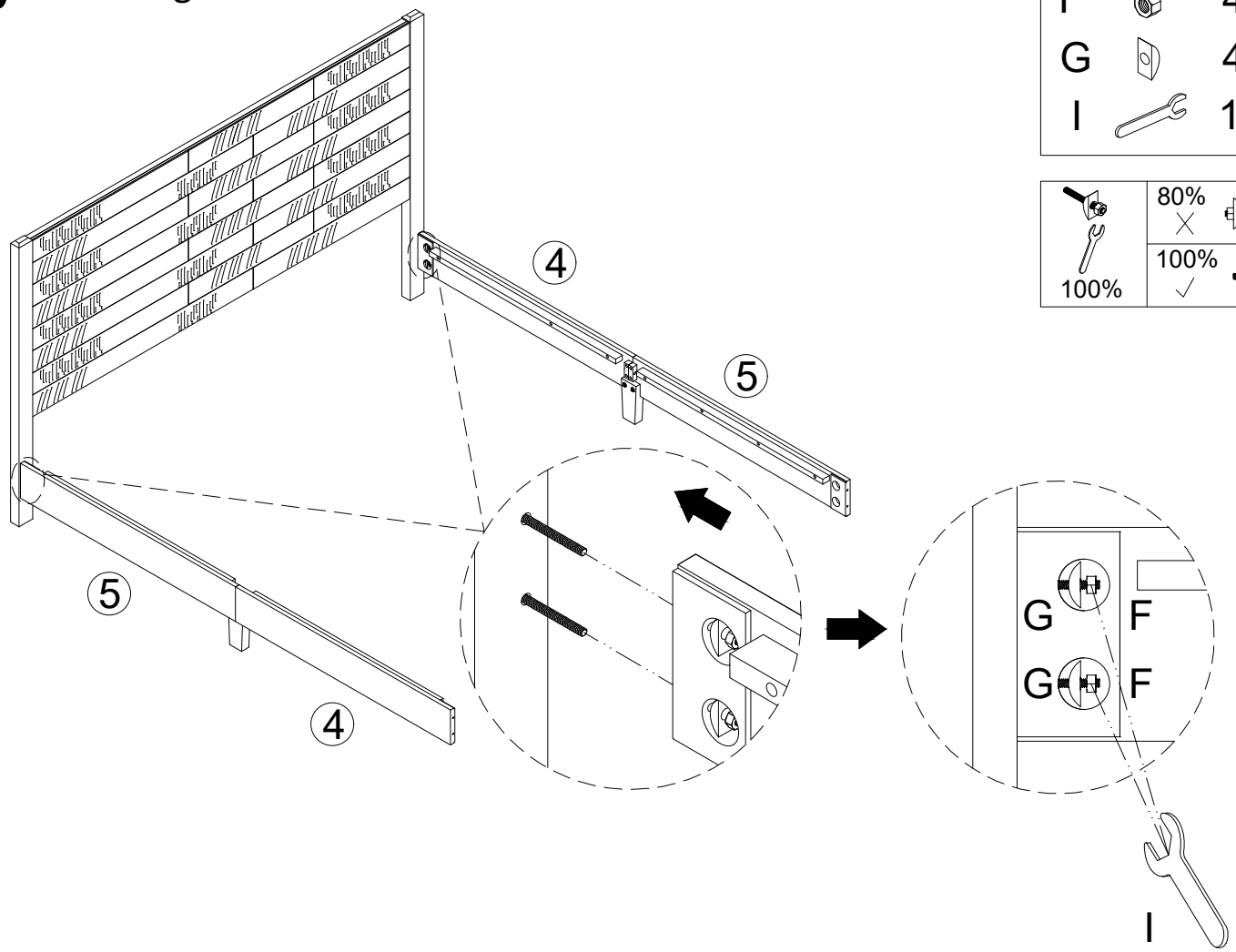
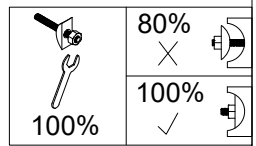
B		4
C		4
D		4
H		1



x2

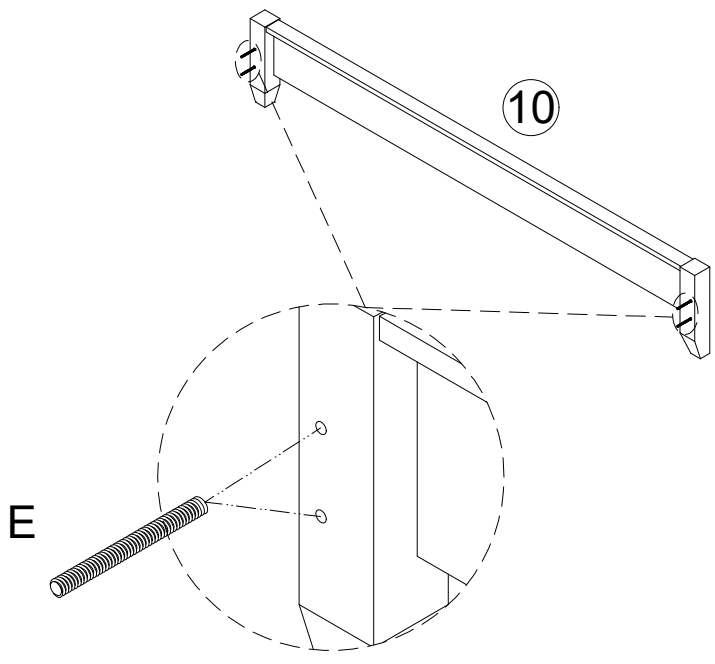
6 Please tighten F to 100%.

F		4
G		4
I		1






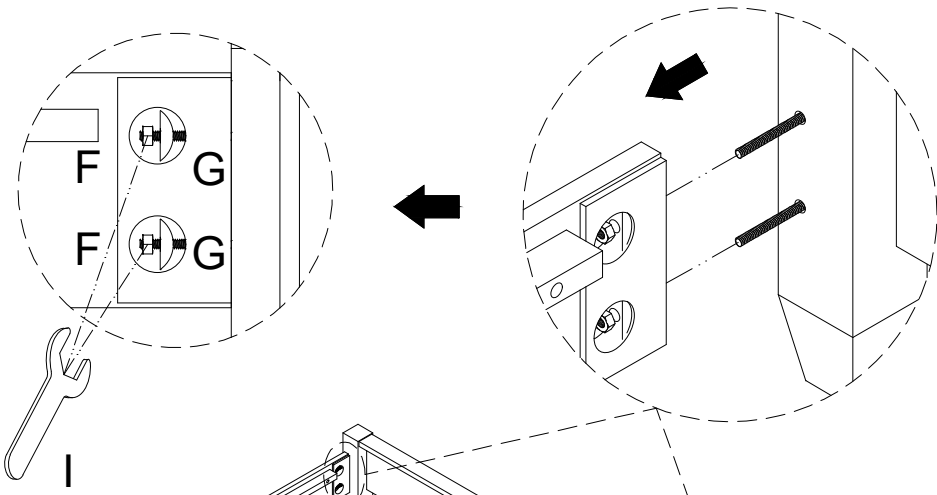
7




E  4

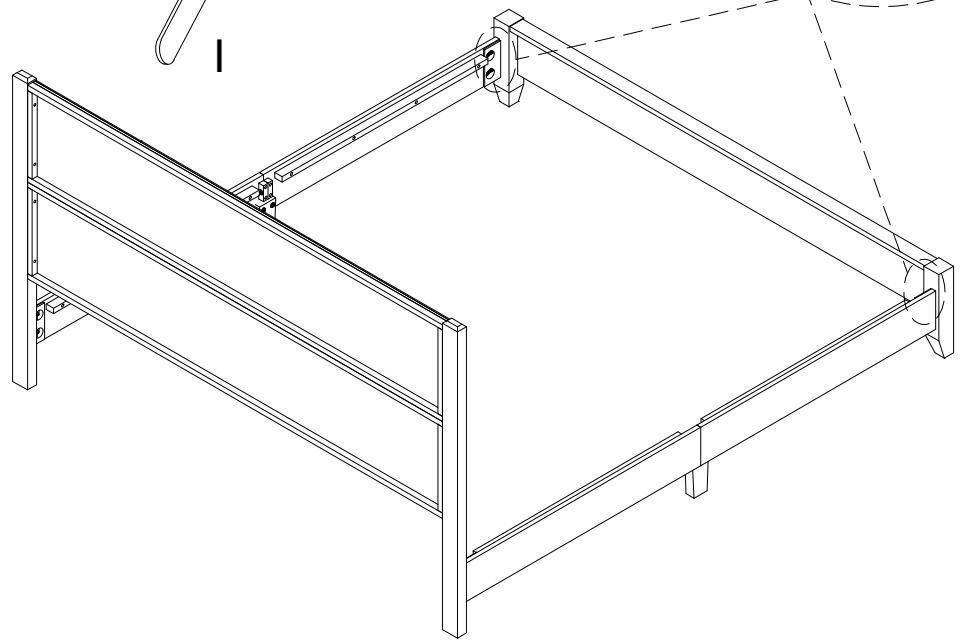


8 Please tighten F to 100%.

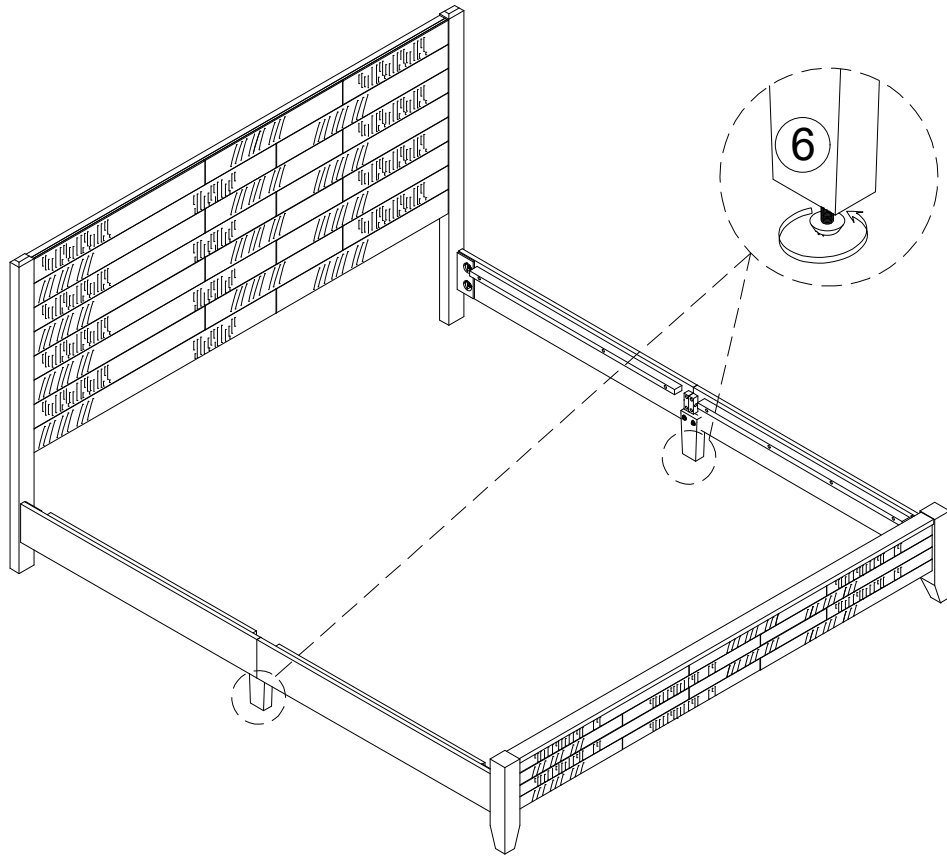
F  4
 G  4
 I  1



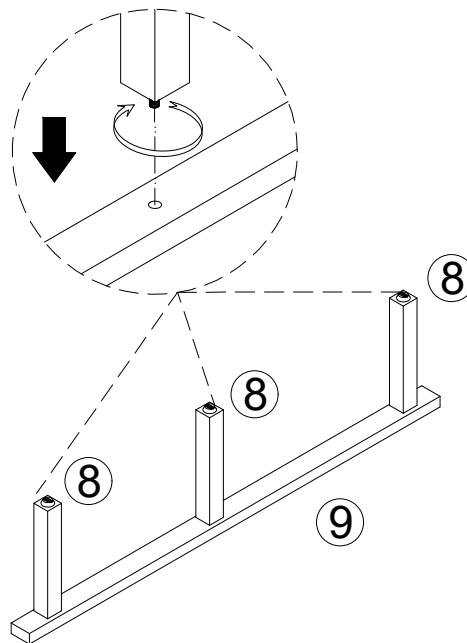
	80% X	
100% ✓		



9 Adjust the leveling feet of part (6) until they support and keep the side panels levelled.

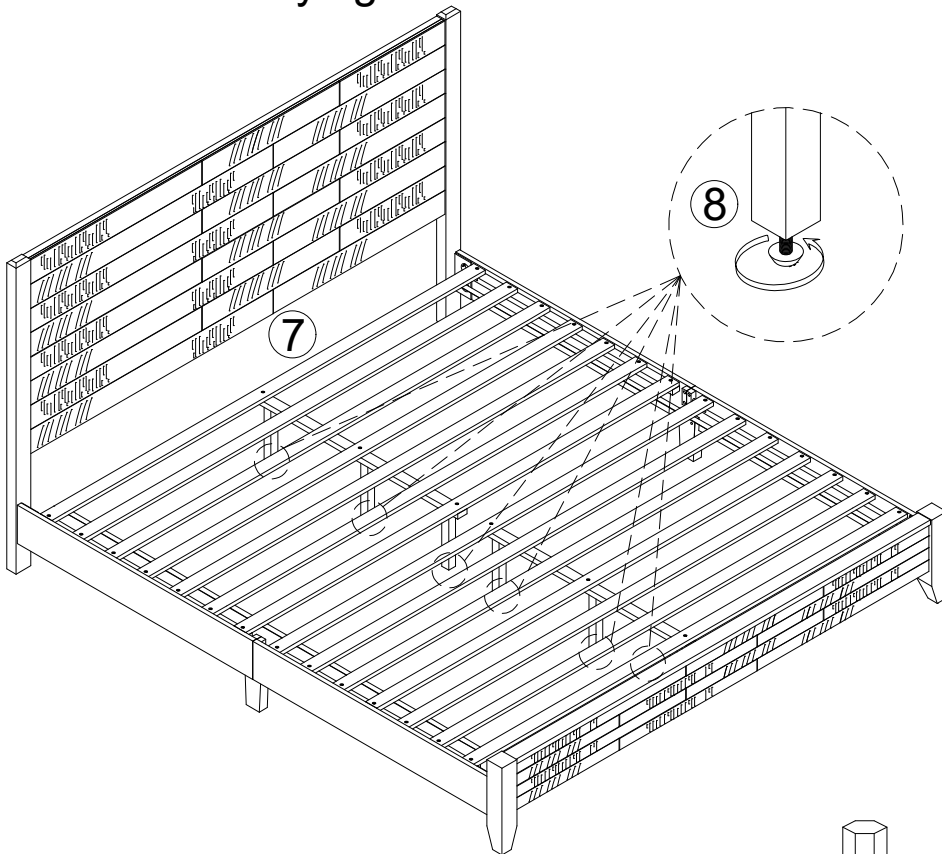


10

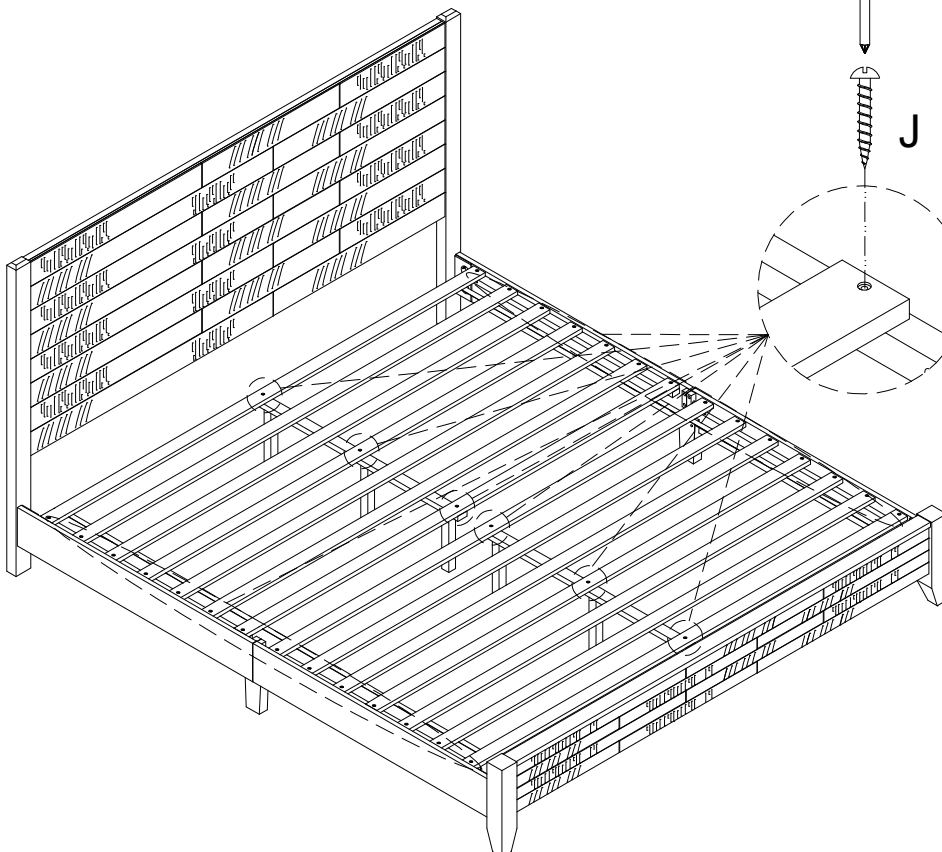


x2

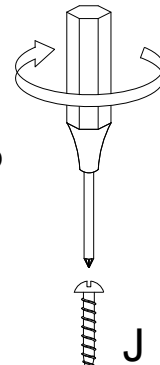
11 Adjust the leveling feet of the legs (8) to ensure all slats (7) are leveled and staying at the same level.






12 Please tighten J to 100 %.



TOOLS REQUIRED
(NOT PROVIDED)



J  **34**

	80%	
	×	
100%		
	✓	

FINISHED

