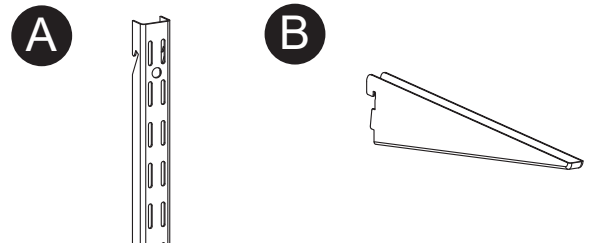
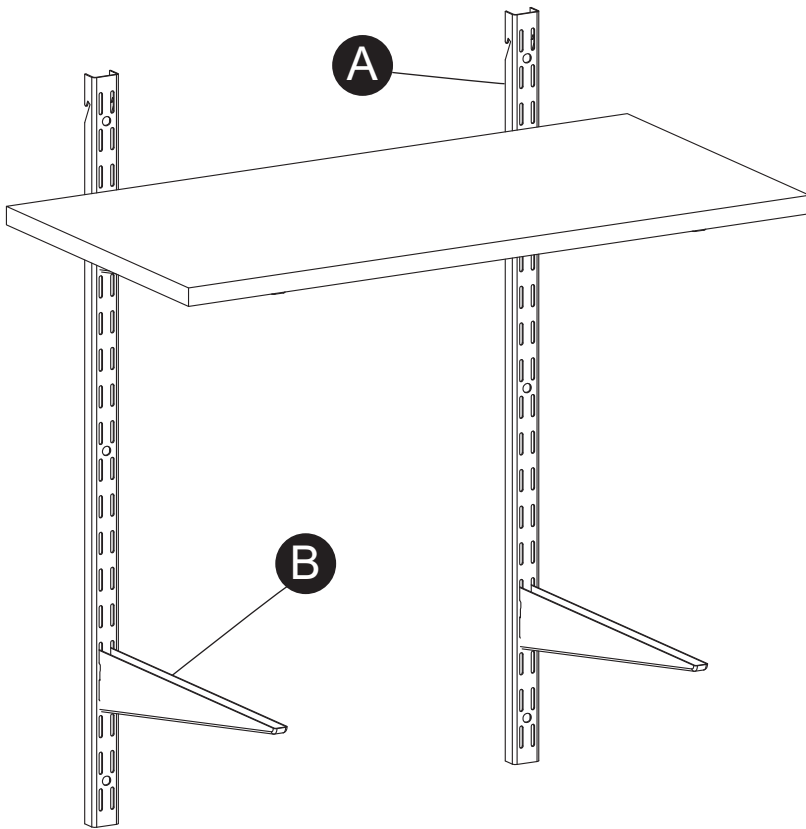



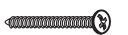



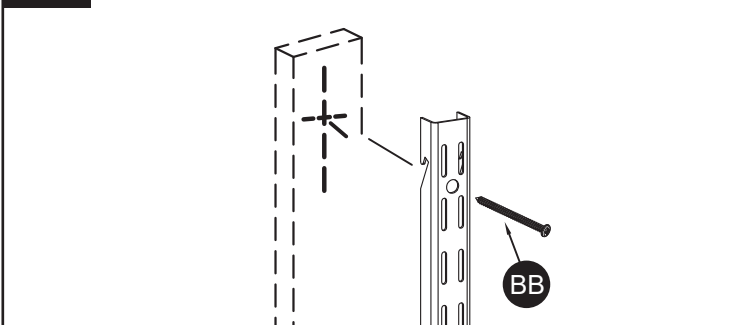
How to install double track uprights and brackets



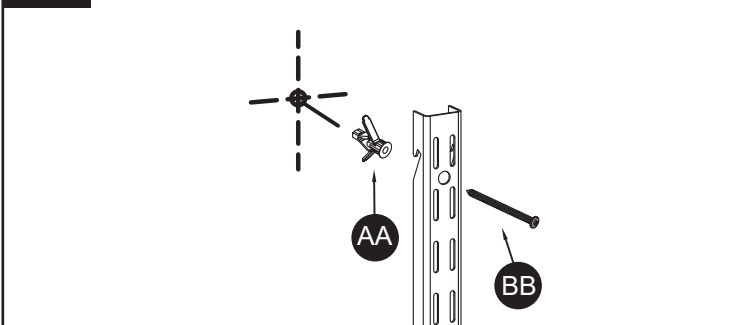
Fasteners (sold separately):

- AA**  Spring Anchor, M5x40mm
- BB**  P/H Screw, #12 x 2-1/2"
- CC**  Anchor, 8x40mm
- DD**  P/H Screw, #6 x 2"
- EE**  P/H Screw, #6 x 1-1/4"

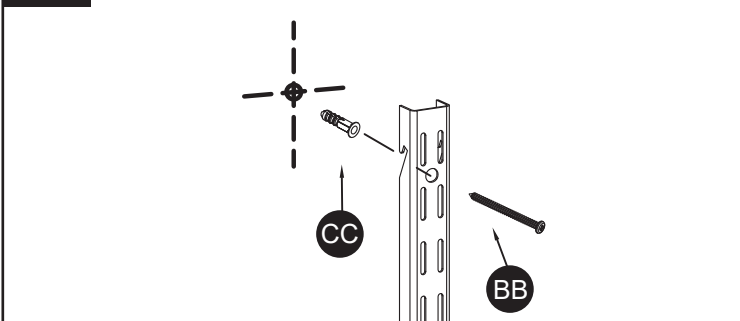
1a For solid wood/wood stud installation



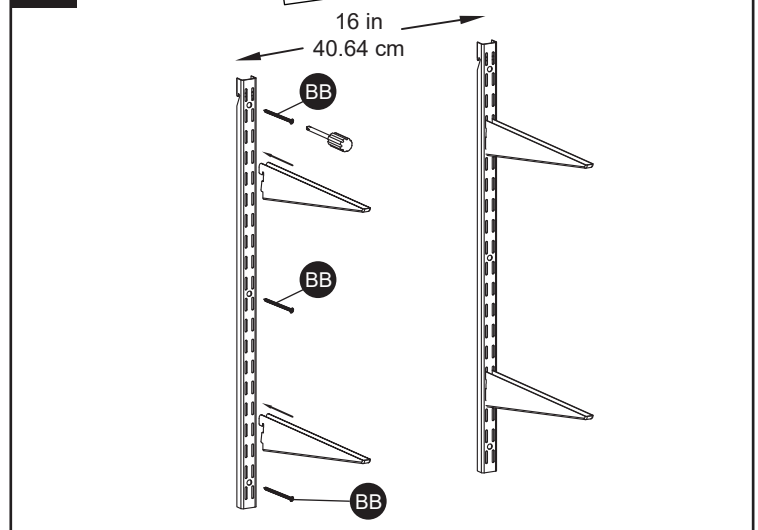
1b For drywall installation



1c For all other installation types



2



3

