


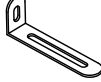

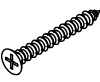

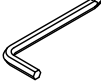


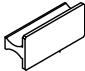


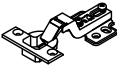
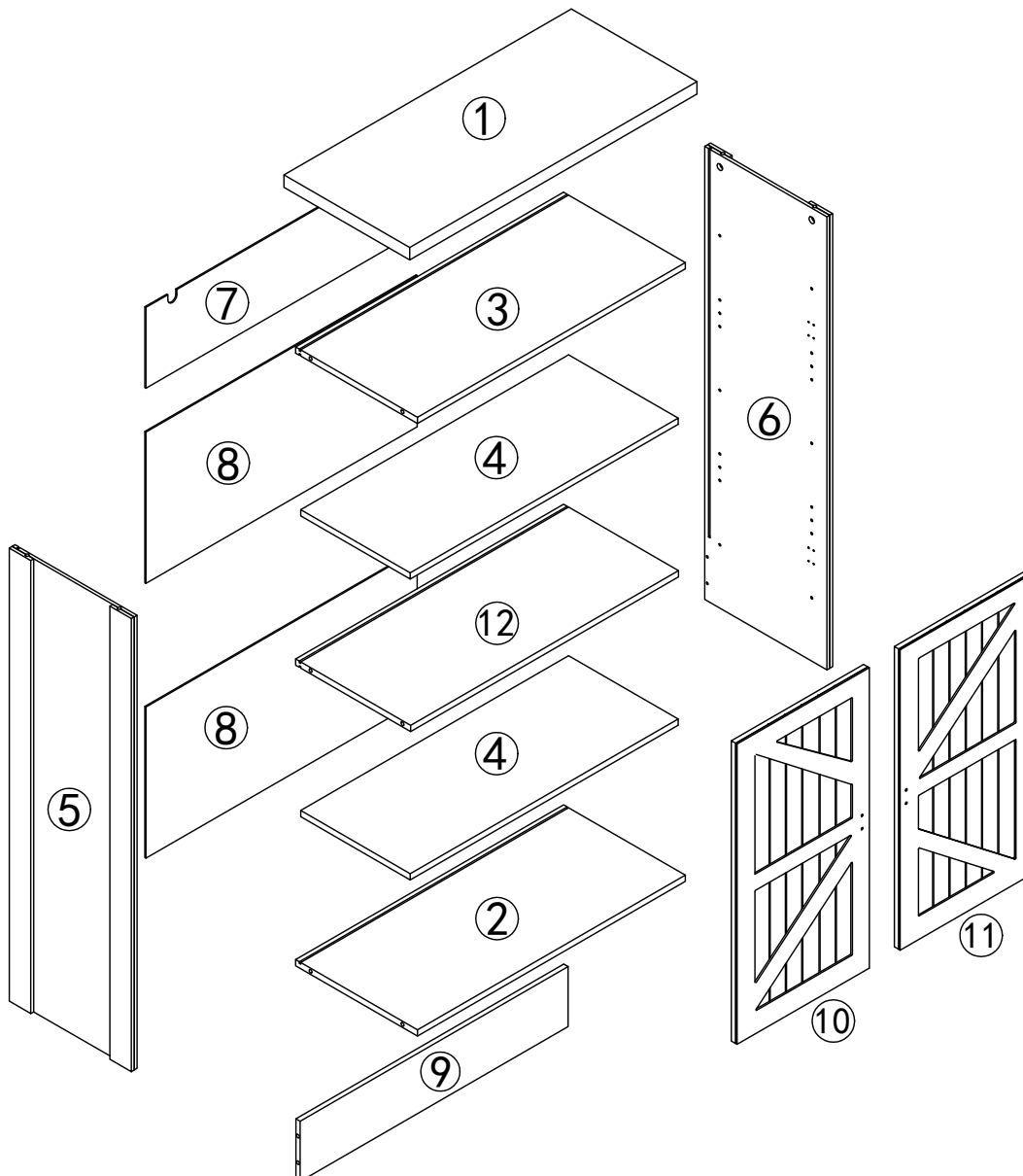
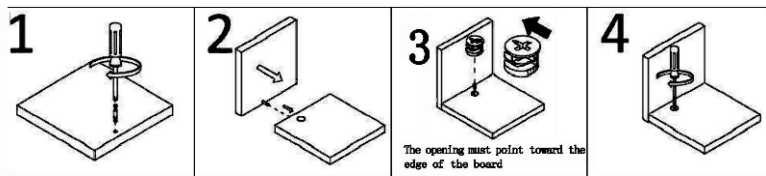


Assembly Instruction

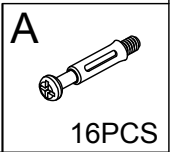
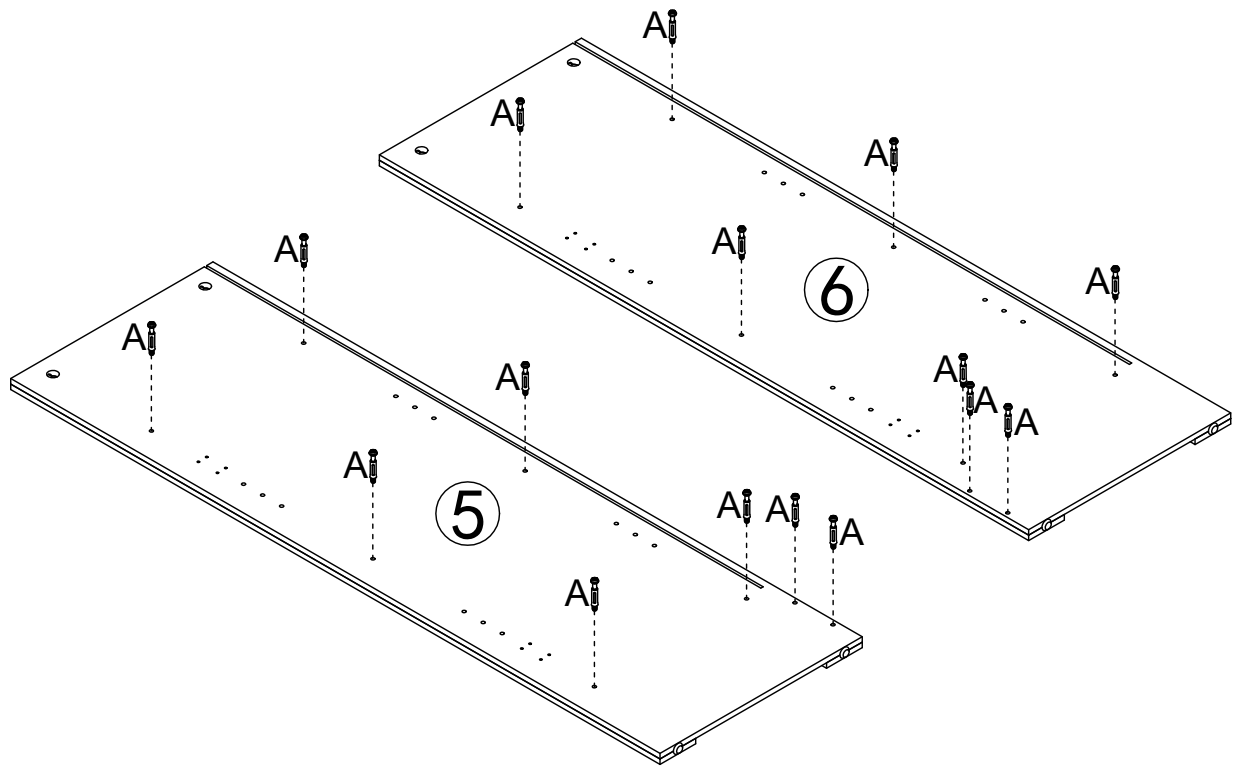
A M6X35  20PCS	B Ø15X12  20PCS	C M4X14  2PCS	D  2PCS	E  8PCS	F M4X35  2PCS	G Ø6x30  2PCS	H 4mm  1PC	I M3X16  8PCS	J M4X18  4PCS
K  2PCS	L M3.5X14  24PCS	M  8PCS	N  4PCS						

Cam Lock Fastening System

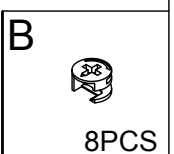
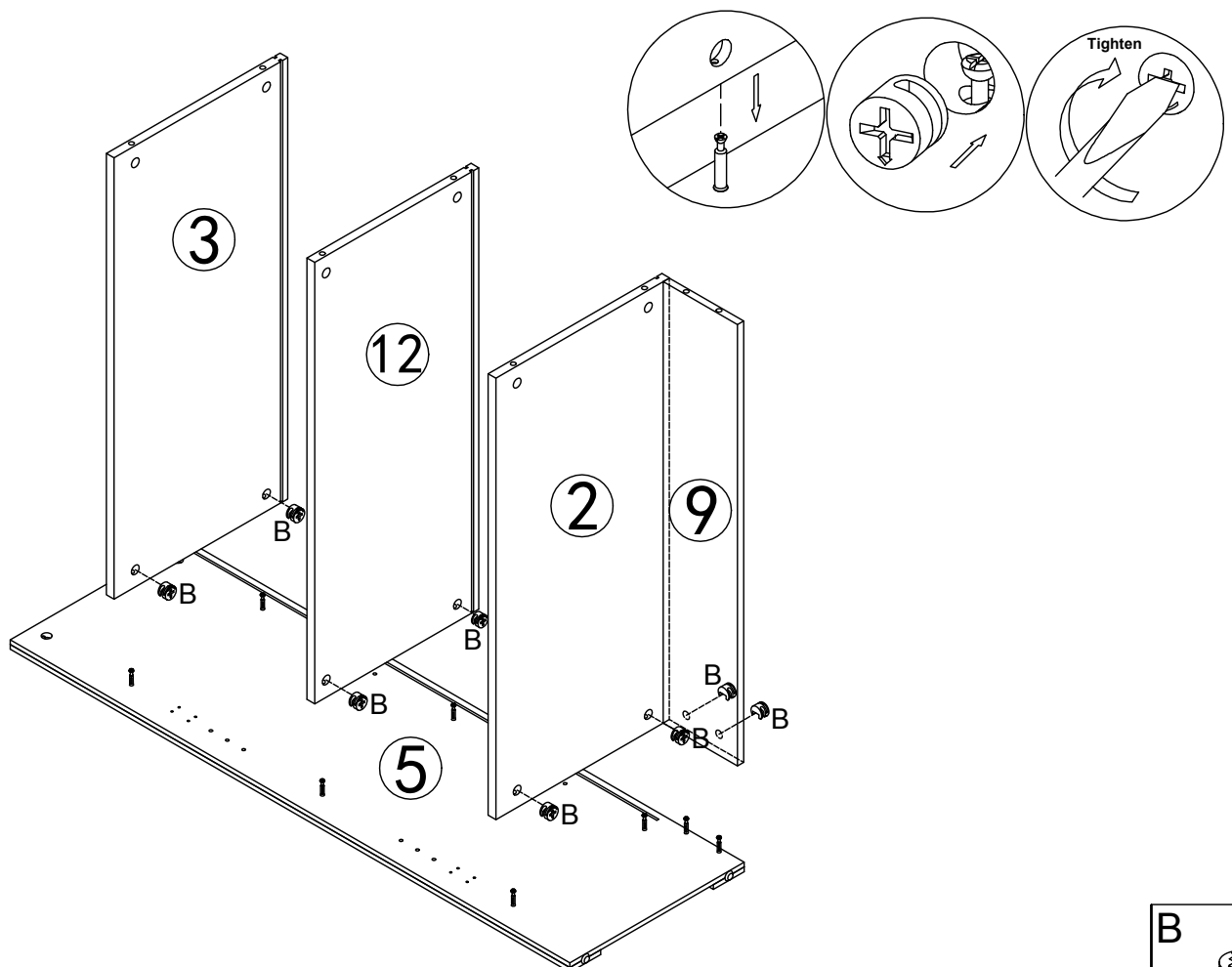
Insert the cam bolt into the hole first, then insert the cam lock and lock it.



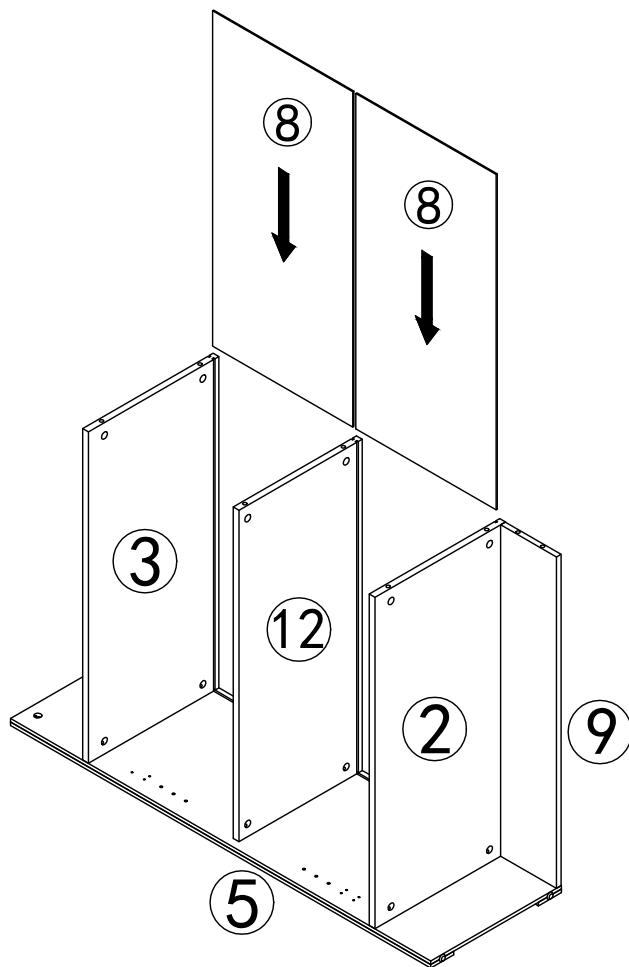
Step 1



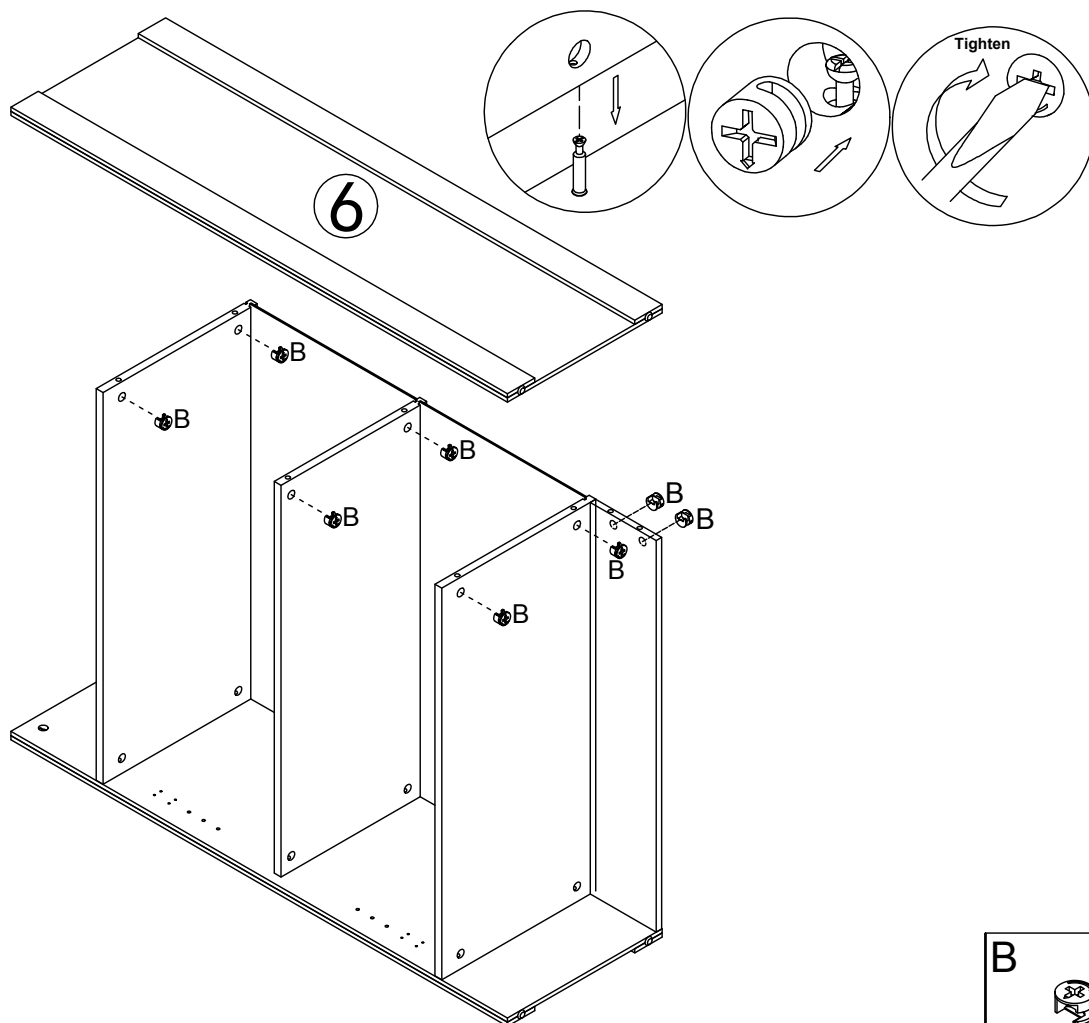
Step 2



Step 3

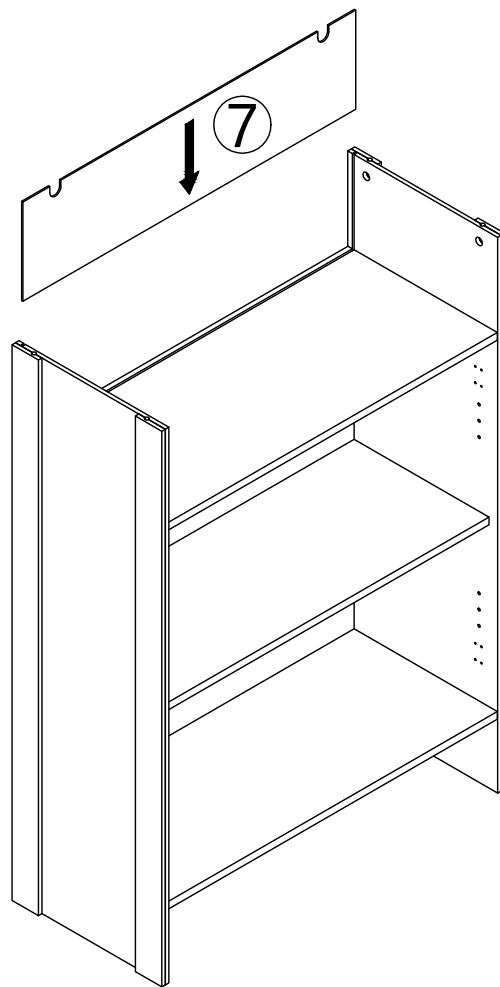


Step 4

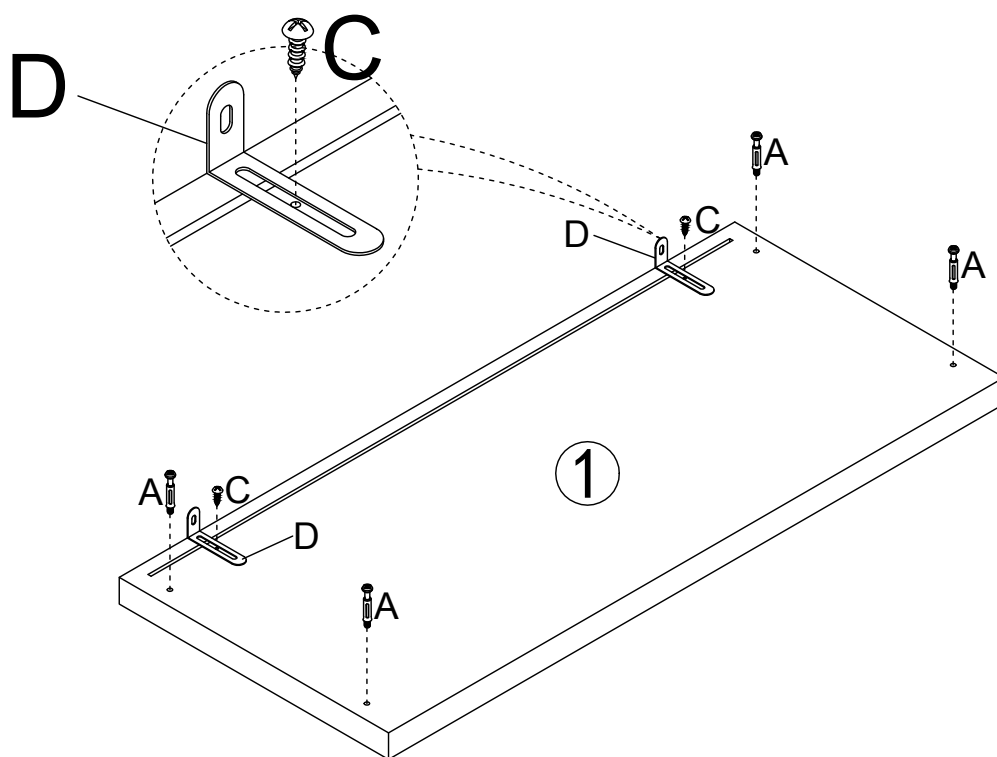





B
8PCS

Step 5

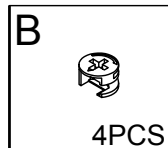
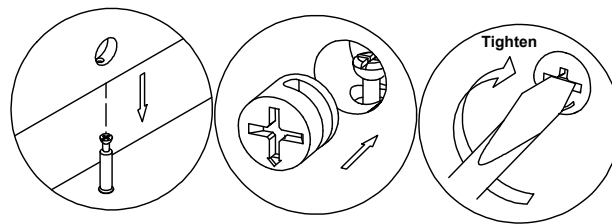
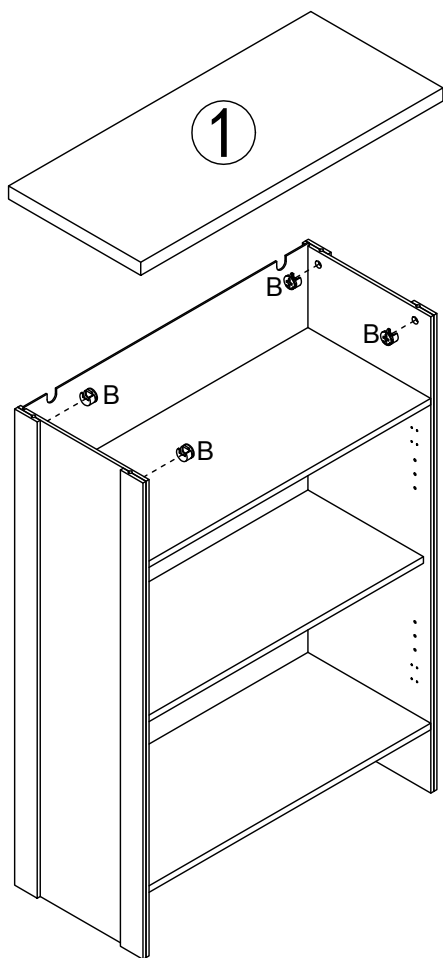


Step 6

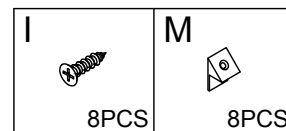
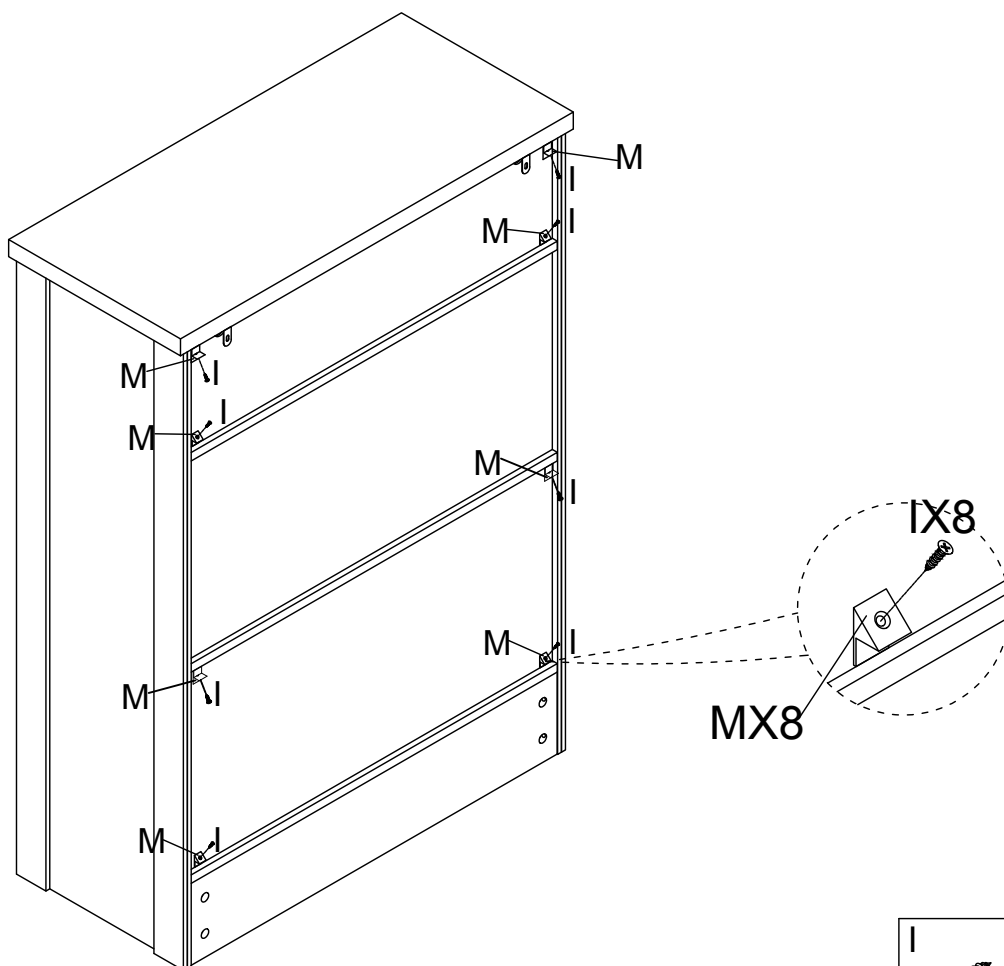


A  4PCS	D  2PCS	C  2PCS
---	---	---

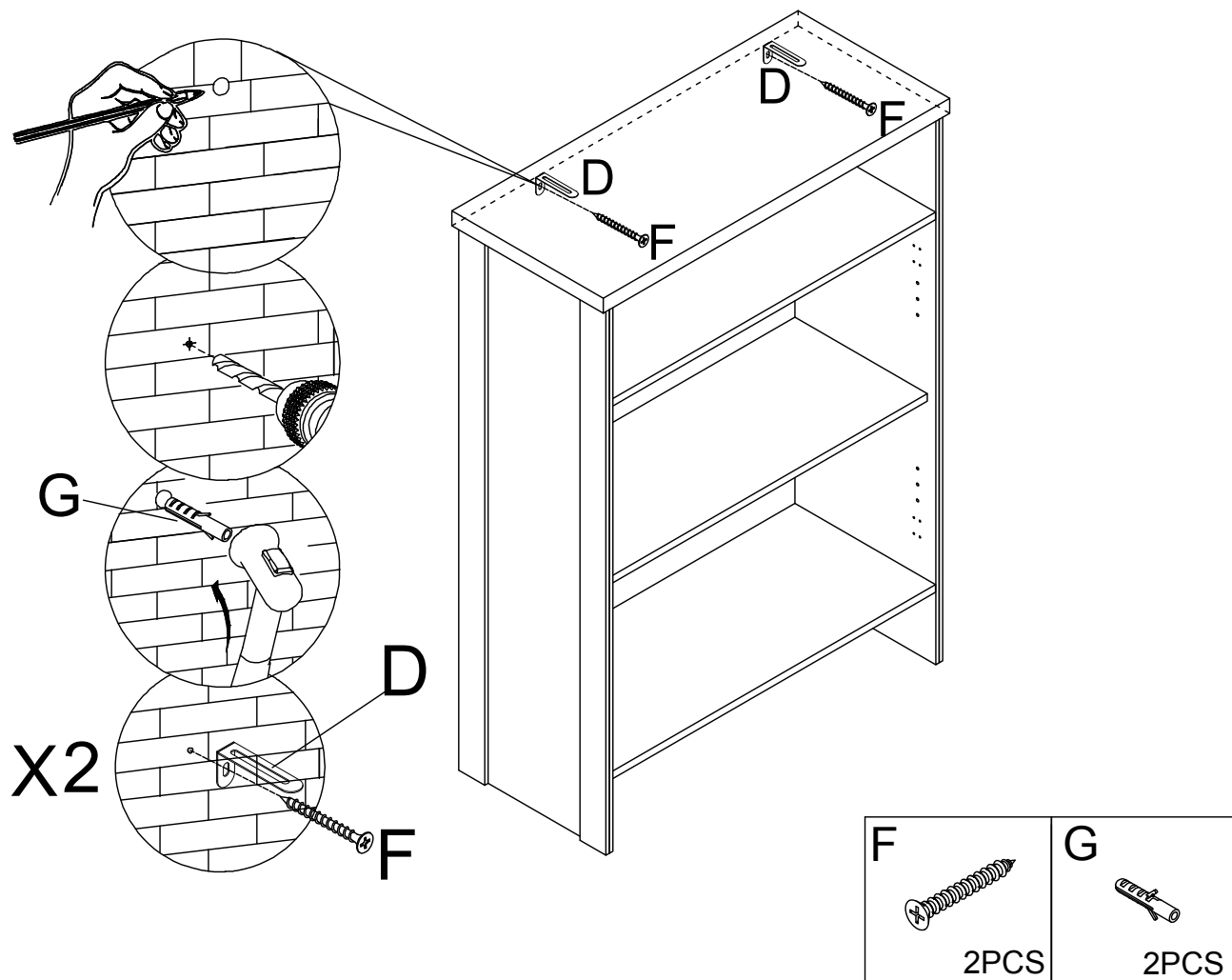
Step 7



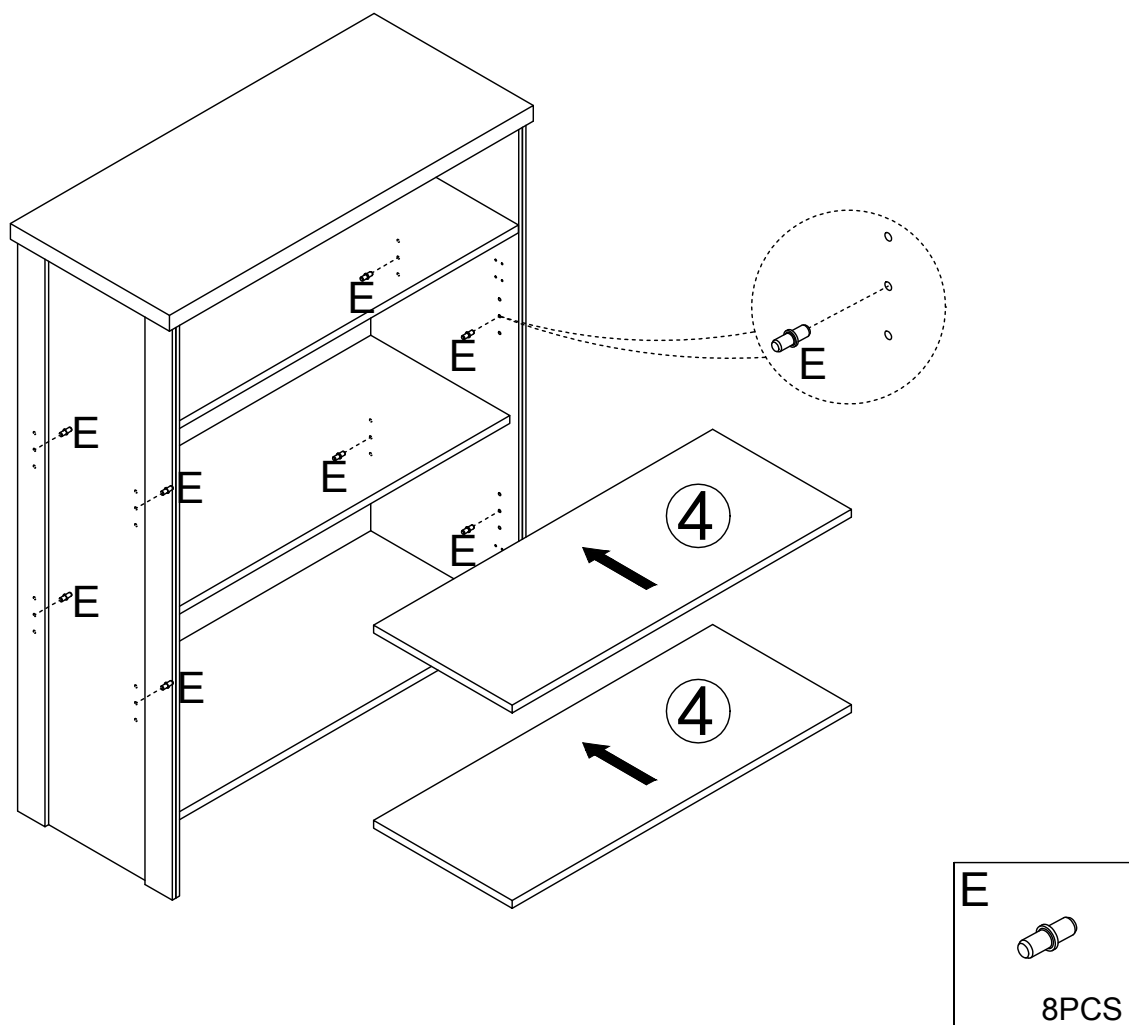
Step 8



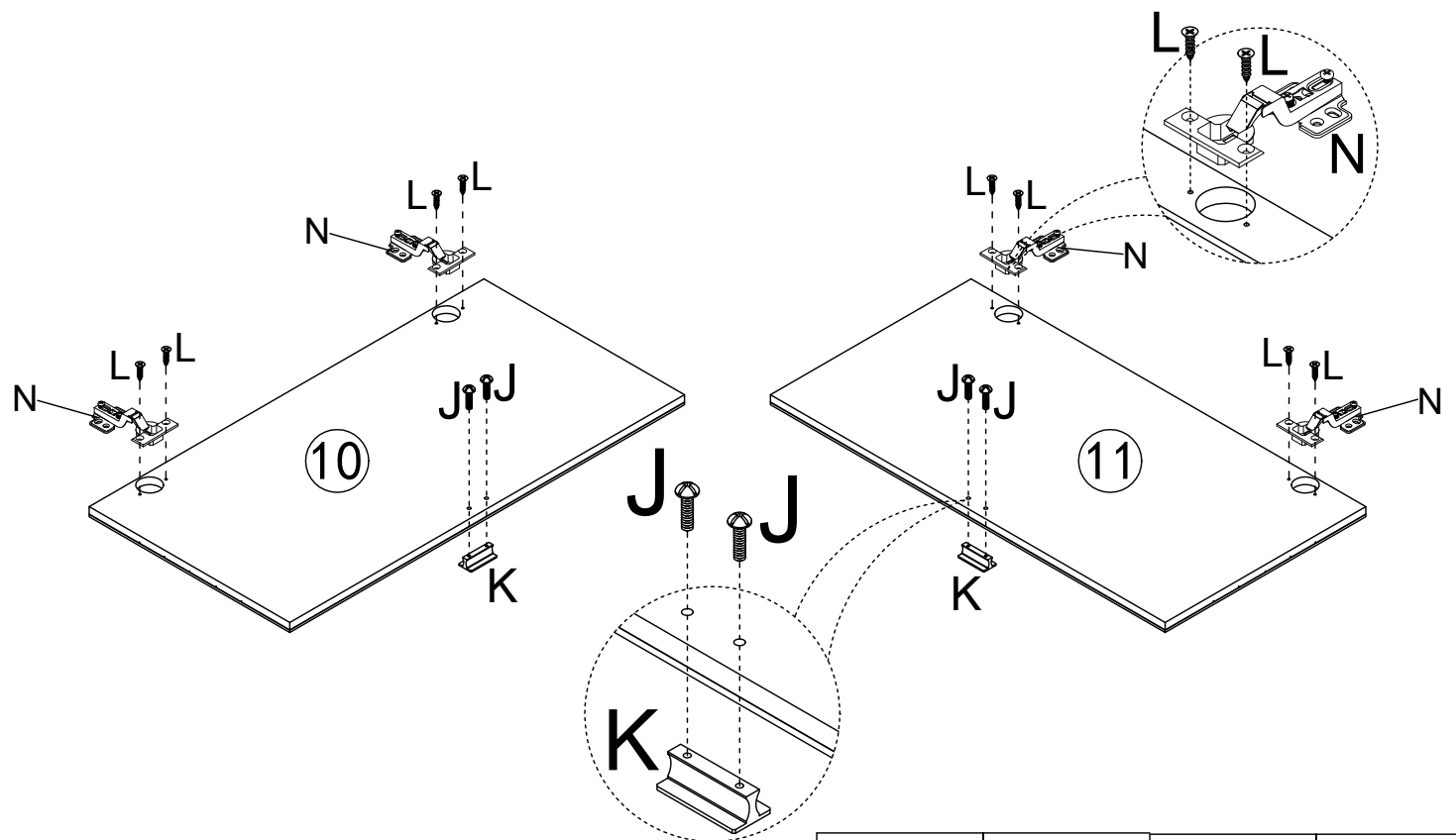
Step 9







Step 10

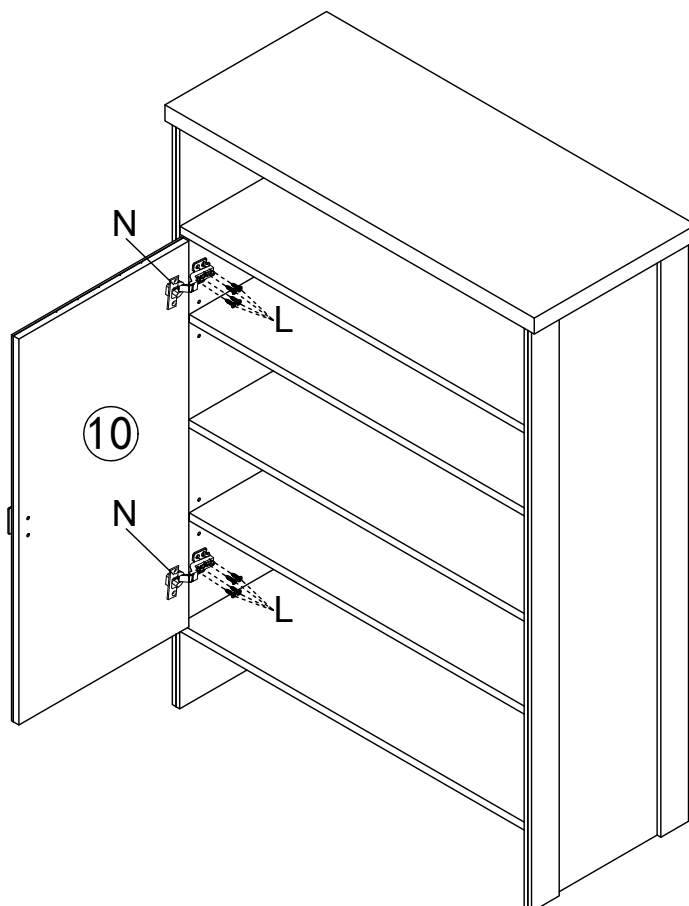
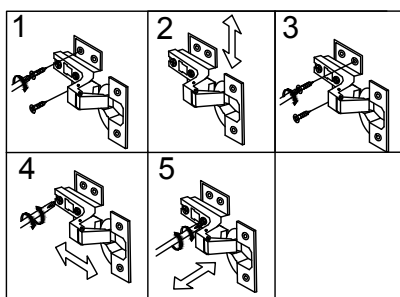



Step 11



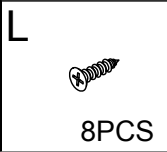
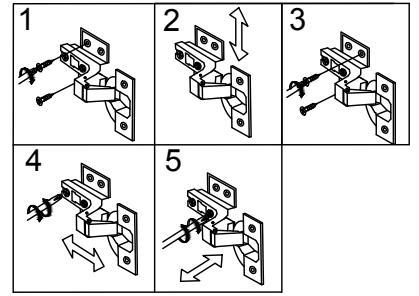
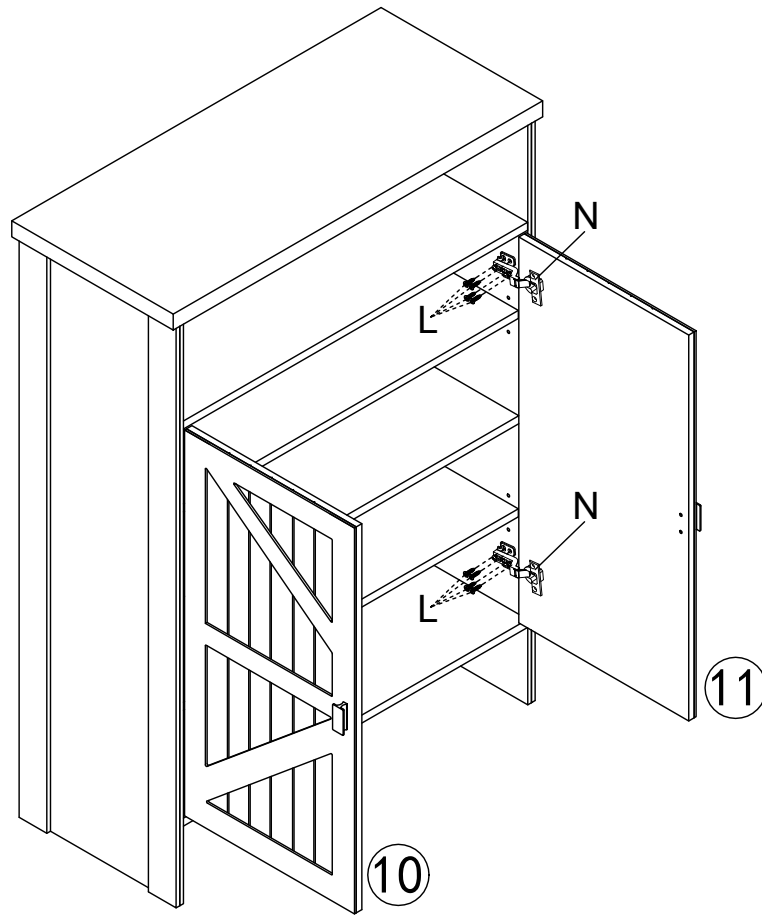
 4PCS	 8PCS	 4PCS	 2PCS
--	---	---	---

Step 12



 8PCS

Step 13



Step 14

