



# SharkBite® EvoPEX™

## DESCRIPTION

SharkBite EvoPEX fittings are for use in hot and cold domestic water systems, as well as radiant heating/cooling systems. SharkBite EvoPEX fittings are intended to be installed with SharkBite PEX pipe as a holistic system.

## FEATURES AND BENEFITS

Instant push-to-connect ends for quick installation, immediate testing, and ease of use:  
*ID pipe seal, permanent connection, visual indicator to confirm connection, no tools, solder, clamps, rings, unions, or glue required.*

## TECHNICAL DATA

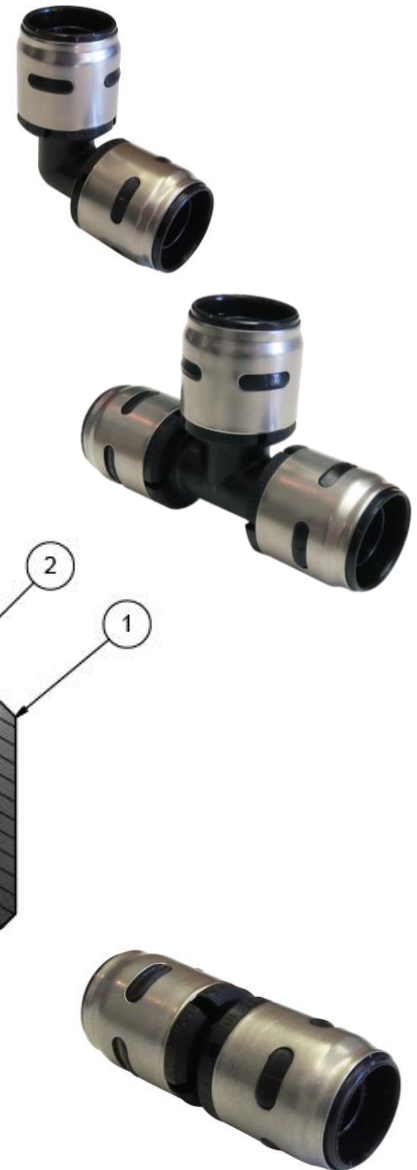
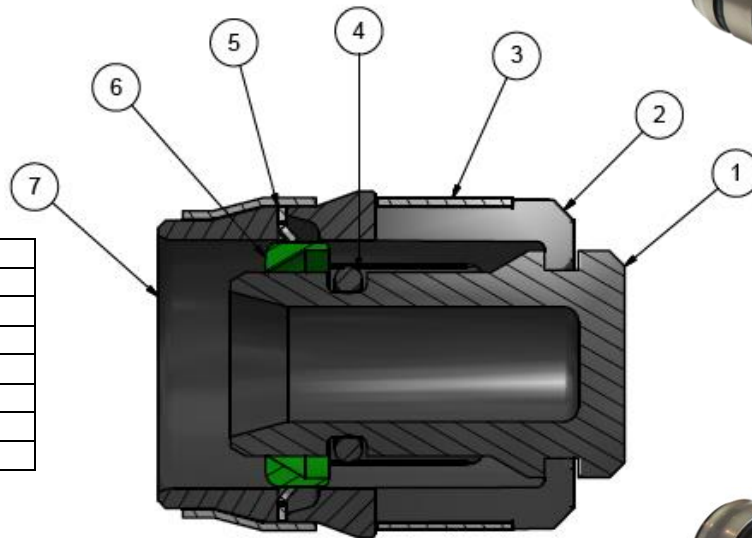
### Performance:

Pressure @ Temperature Ratings

80 psi @ 200°F  
 100 psi @ 180°F  
 160 psi @ 73.4°F

### SharkBite Materials:

Item	Material
1 – Body	Acudel
2 – Collet	Grilamid
3 – Collet Retainer	SST 304
4 – O-Ring	EPDM
5 – Grab Ring	SST 316
6 – Protection Ring	Copolymer
7 – Spacer	Copolymer



## CERTIFICATIONS

SharkBite® EvoPEX™ fittings 1/2", 3/4" and 1":

Certified to ASSE 1061 and CSA B125.3 standards.

Listed to ASSE 1061, NSF/ANSI 61, NSF 372, by IAPMO.

UPC, IPC, and NPC of Canada compliant

Patent pending

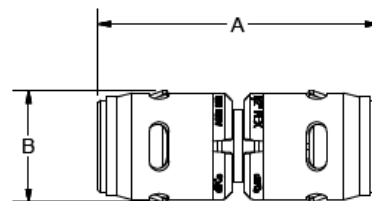
## SPECIFICATION

SharkBite EvoPEX fittings shall be installed on SharkBite PEX complying with ASTM F876 or CSA B137.5. The fittings shall be made of Engineered Polymer and be compliant with ASSE 1061 or CSA B125.3. The fittings shall be used in a potable water or radiant heating/cooling system not to exceed 80 psi @ 200°F, 100 psi @ 180°F, or 160 psi @ 73.4°F

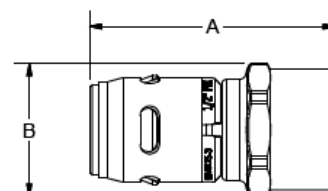


# SharkBite® EvoPEX™

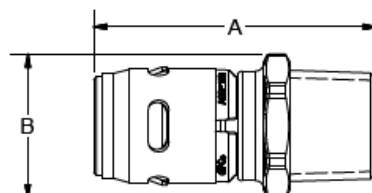
PART	DESCRIPTION	A	B	WEIGHT
K008	COUPLING 1/2" X 1/2"	2.236	0.878	0.046
K016	COUPLING 3/4" X 3/4"	2.488	1.160	0.082
K020	COUPLING 1" X 1"	2.898	1.447	0.141
K058	COUPLING REDUCING 3/4" X 1/2"	2.520	1.160	0.066
K060	COUPLING REDUCING 1" X 3/4"	2.840	1.447	0.121



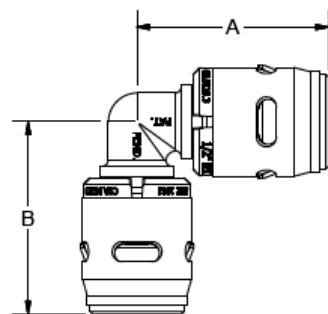
PART	DESCRIPTION	A	B	WEIGHT
K072	FEMALE CONNECTOR 1/2" X 1/2" FNPT Straight	1.999	1.083	0.130
K088	FEMALE CONNECTOR 3/4" X 3/4" FNPT Straight	2.251	1.181	0.213
K094	FEMALE CONNECTOR 1" X 1" FNPT Straight	2.602	1.614	0.355



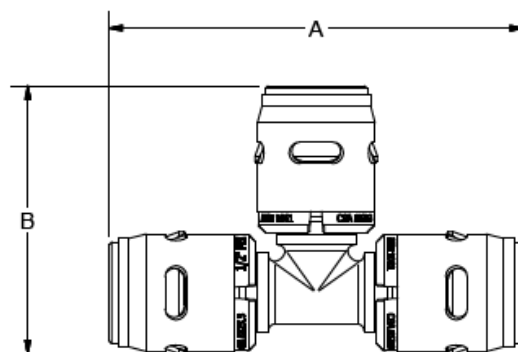
PART	DESCRIPTION	A	B	WEIGHT
K120	MALE CONNECTOR 1/2" X 1/2" MNPT Straight	2.122	1.083	0.139
K134	MALE CONNECTOR 3/4" X 3/4" MNPT Straight	2.280	1.181	0.174
K140	MALE CONNECTOR 1" X 1" MNPT Straight	2.856	1.614	0.359



PART	DESCRIPTION	A	B	WEIGHT
K248	ELBOW 1/2" X 1/2"	1.506	1.506	0.051
K256	ELBOW 3/4" X 3/4"	1.776	1.776	0.093
K260	ELBOW 1" X 1"	2.152	2.152	0.159



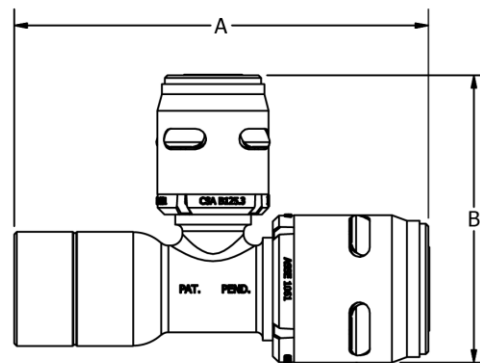
PART	DESCRIPTION	A	B	WEIGHT
K362	TEE EQUAL 1/2" X 1/2" X 1/2"	3.012	1.557	0.079
K370	TEE EQUAL 3/4" X 3/4" X 3/4"	3.551	2.358	0.126
K374	TEE EQUAL 1" X 1" X 1"	4.264	2.864	0.236
K408	TEE REDUCING 1/2" x 1/2" x 3/4"	3.299	2.197	0.099
K412	TEE REDUCING 3/4" X 3/4" X 1/2"	3.346	2.232	0.110
K413	TEE REDUCING 3/4" x 3/4" x 1"	3.839	2.671	0.180
K414	TEE REDUCING 1" X 3/4" X 3/4"	3.844	2.652	0.180
K415	TEE REDUCING 1" X 1" X 1/2"	3.854	2.525	0.180
K416	TEE REDUCING 1" X 1" X 3/4"	4.059	2.652	0.198
K418	TEE REDUCING 1" x 3/4" x 1"	3.949	2.925	0.198
K419	TEE REDUCING 1" x 3/4" x 1/2"	3.742	2.526	0.198
K444	TEE REDUCING 3/4" X 1/2" X 3/4"	3.465	2.358	0.117
K454	TEE REDUCING 3/4" X 1/2" X 1/2"	3.254	2.232	0.099



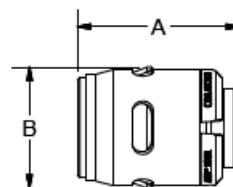


# SharkBite® EvoPEX™

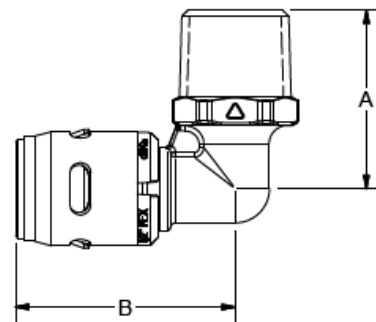
PART	DESCRIPTION	A	B	WEIGHT
K4483	STREET TEE REDUCING 3/4" x 3/4" x 1/2"	3.188	2.232	0.089



PART	DESCRIPTION	A	B	WEIGHT
K514	END CAP 1/2"	1.197	0.890	0.024
K518	END CAP 3/4"	1.323	1.165	0.044
K520	END CAP 1"	1.537	1.465	0.079



PART	DESCRIPTION	A	B	WEIGHT
K280	ELBOW MALE 1/2" X 1/2" MNPT	1.339	1.650	0.163



PART	DESCRIPTION	A	B	WEIGHT
K334	ELBOW DROP-EAR 1/2" X 1/2" FNPT	1.339	2.551	0.196

