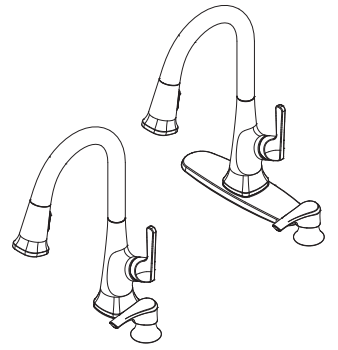


Ridgeline™ Pull-Down Kitchen Faucet

- F-529-7RGC Finish(C)
- F-529-7RGBG Finish(BG)
- F-529-7RGGGS Finish(GS)
- F-529-7RGSDDB Finish(SDB)



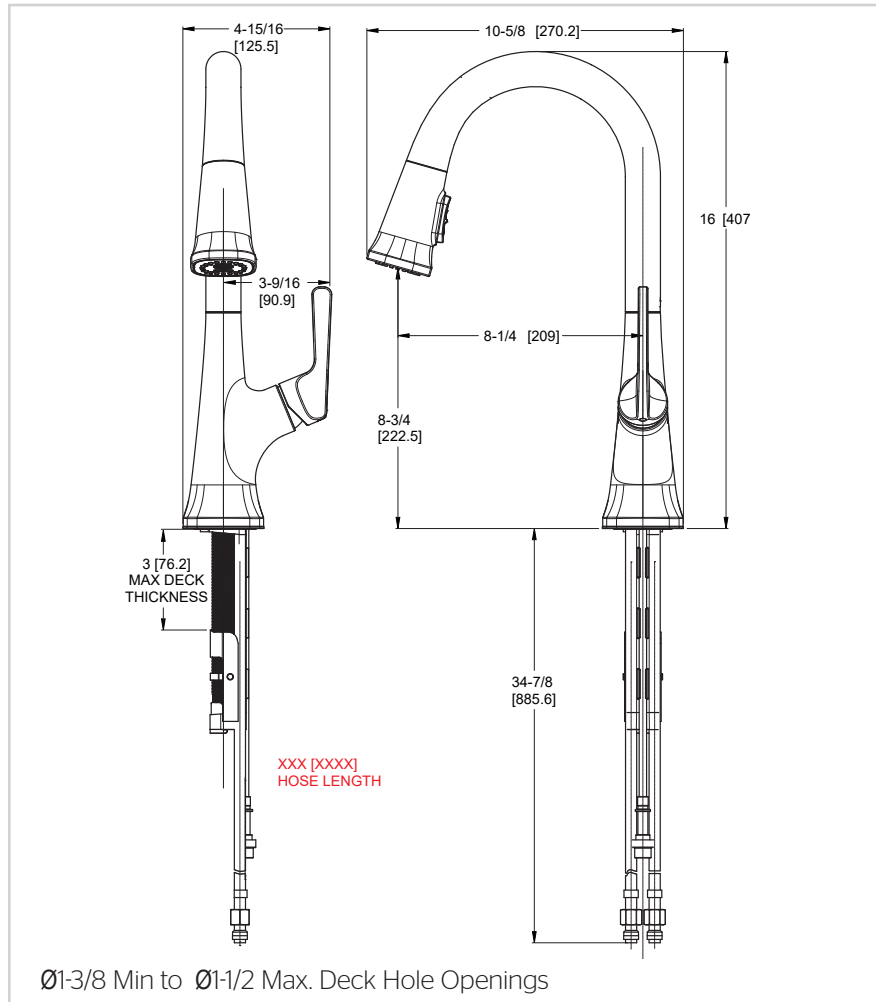
Specifications

Features

- 1.8 GPM Flow Rate
- 1, 2, 3 or 4-Hole Installation; Deck Plate or Single Hole Mounting Option
- 3 Function Sprayer (Spray, Stream, and HydroBlade™)
- 360° Rotating High Arc Swivel Spout
- MagnePfit™ Sprayhead Docking
- Auto-Align™ Sprayhead Docking
- TopPfit™ Top Mount Installation
- TopPfit™ Install Tool Included
- Mounting Hardware Included
- 3/8" Connection
- Spot Defense™ Finish Resists Spots and Fingerprints (GS & SDB Finish Only)
- **xxx Extended Pull-Down Length**
- Nylon Braided Hose
- Pfast Connect™ Adapter Technology
- Forward Handle Operation
- Integrated Flexible PE-RT Supply Lines
- SoloTilt™ One-Hand Soap Dispenser Included
- TiteSeal™ Technology
- Pforever Seal™ Ceramic Disc Valve
- Limited Lifetime Warranty

- TopPfit™ Installation
- MagnePfit™ Sprayhead Docking
- Auto-Align™ Sprayhead Docking

Dimensions



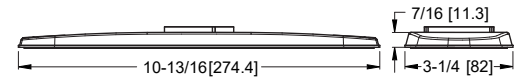
Code Compliance

Pfister products are designed and manufactured in compliance with the following standards and codes:

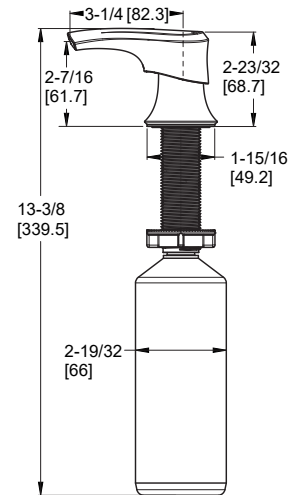
- IAPMO Certified to ASME A112.18.1/CSA B125.1 including:
 - ASME A112.18.3 (Backflow Prevention)
- NSF/ANSI/CAN61:Q≤1
- CEC Certified/CALGreen compliant
- ADA Compliant - ANSI A117.1 (Lever Handle Only)



Optional Included Deckplate



Top Filling Soap Dispenser



36 Inch Supply Lines with 3/8 Female Compression Brass Connections

