

# 88 5531 513

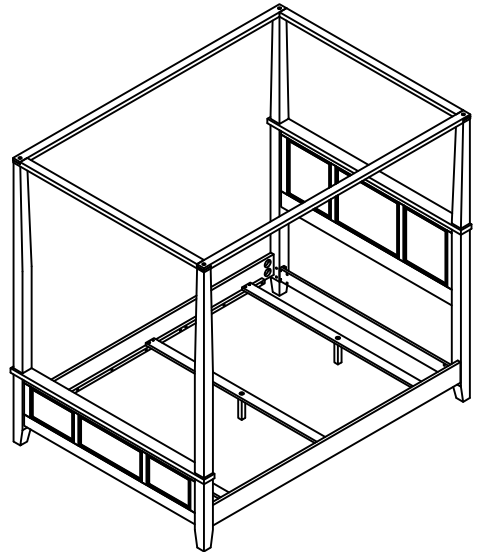
## Bedford Queen Poster Bed Rails with Slats

### IMPORTANT NOTE

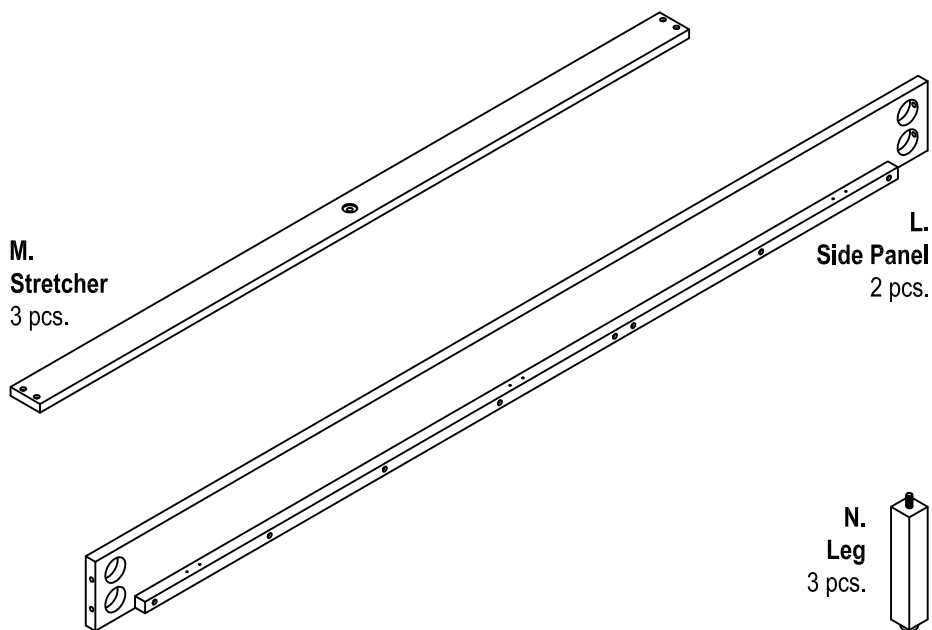
Carefully remove all the parts from the carton and put them individually on a soft cloth to prevent scratches or other damages occurring to the parts.

We have taken great care in the design of this product and request that you carefully and strictly follow our assembly instructions to ensure a completed product as it was designed.

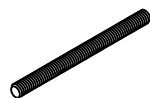
*Home  
Styles*



## Part List



## Hardware List



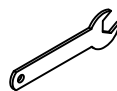
Bolt  
8 pcs. (+1 extra)



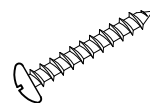
Square Washer  
8 pcs. (+1 extra)



Nut  
8 pcs. (+1 extra)



Wrench  
1 pc.



Wood Screw  
12 pcs. (+1 extra)

Also need the Parts and Hardware in carton 88 5531 511, 512

Tools Required For Assembly : Phillips screwdriver

Tools Recommended For Assembly : Level

**Home Styles Consumer Assistance:** [www.homestyles-furniture.com](http://www.homestyles-furniture.com),  
[servicedesk@homestyles-furniture.com](mailto:servicedesk@homestyles-furniture.com), 888-680-7460, 877-831-0319

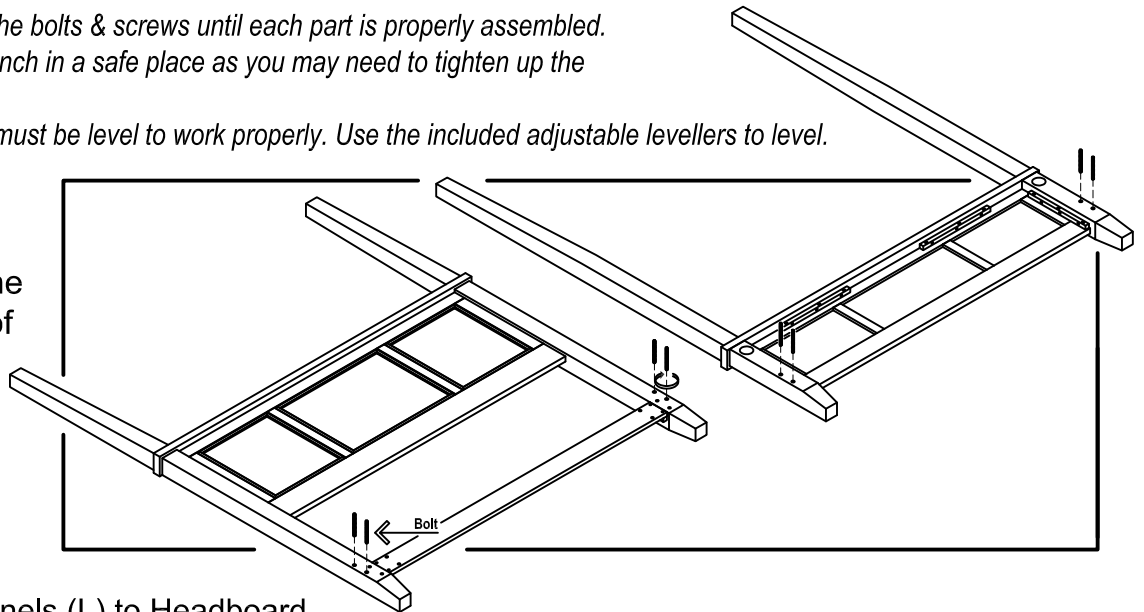
# Assembly Instructions 2/2

## IMPORTANT

- \* Do not tighten up all the bolts & screws until each part is properly assembled.
- \* You should keep Wrench in a safe place as you may need to tighten up the Nuts in the future.
- \* After assembly, item must be level to work properly. Use the included adjustable levellers to level.

## STEP 1

Insert Bolts into the pre-drilled holes of Headboard and Footboard.



## STEP 2

Assemble Side Panels (L) to Headboard and Footboard using Square Washers and Nuts. Tighten all the Bolts with Wrench. (See figure 1)

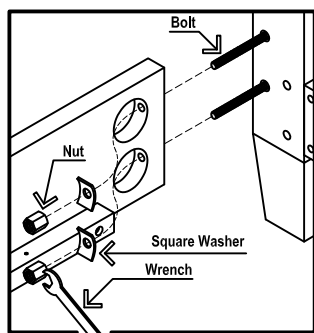
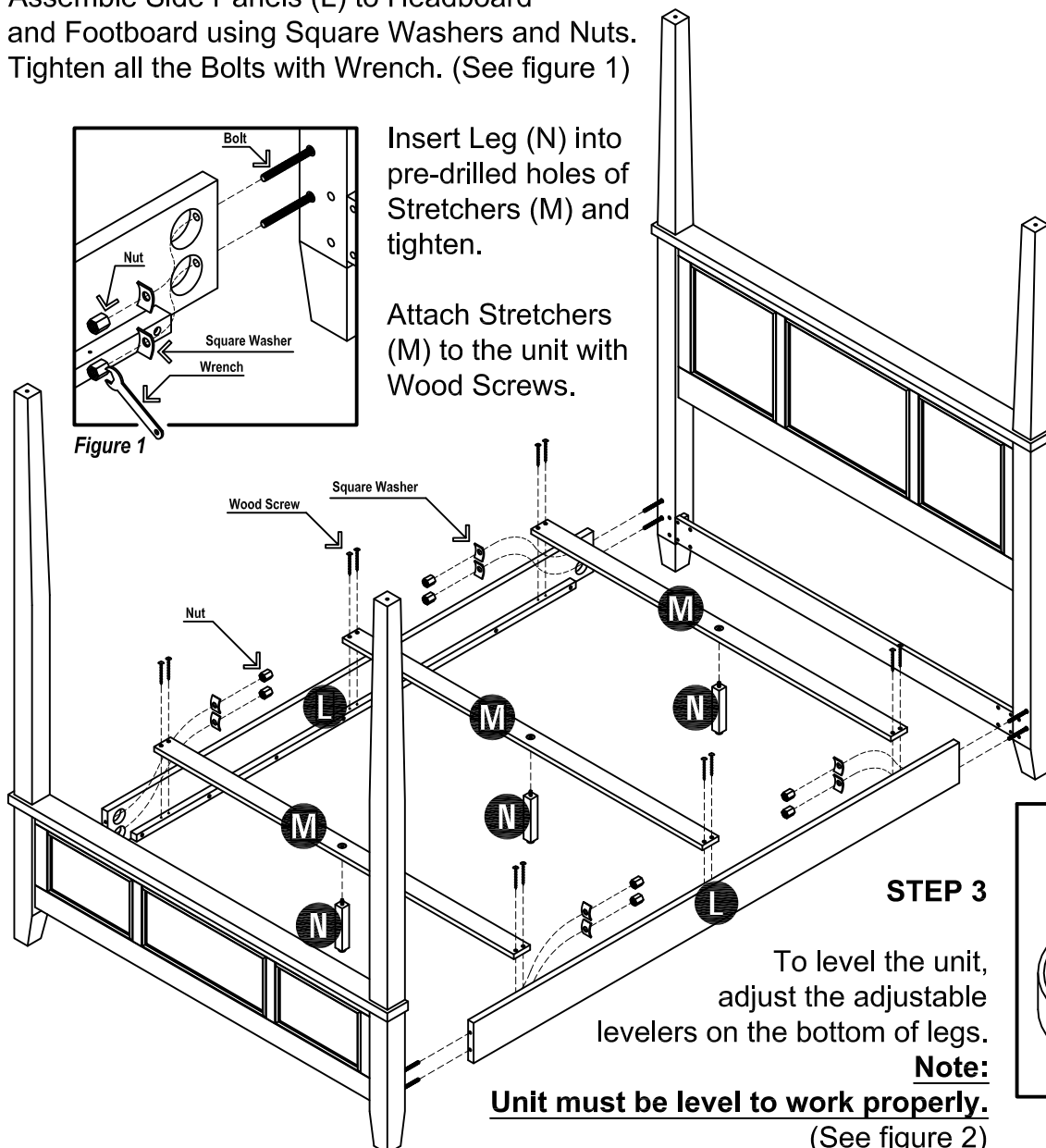


Figure 1

Insert Leg (N) into pre-drilled holes of Stretchers (M) and tighten.

Attach Stretchers (M) to the unit with Wood Screws.



## STEP 3

To level the unit, adjust the adjustable levelers on the bottom of legs.

**Note:**  
**Unit must be level to work properly.**  
(See figure 2)

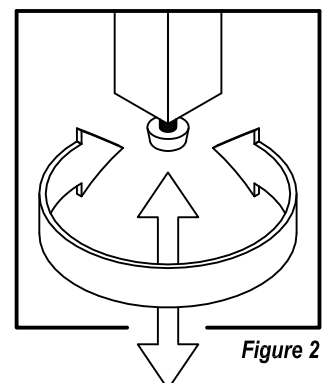


Figure 2

# VERY IMPORTANT !!

## CARE INSTRUCTIONS

### NEVER

USE GLASS CLEANERS ON FINISHED FURNITURE. AMMONIA WILL CHEMICALLY ATTACK THE LACQUER.

### NEVER

ALLOW LIQUIDS OF ANY KIND TO REMAIN ON THE FURNITURE. ABSORPTION CAUSES WOOD TO WARP AND SPLIT AND FINISHES TO DELAMINATE.

DO NOT WRITE DIRECTLY ON SURFACE.



**PREVENT MARKING**

DO NOT PLACE IN DIRECT SUNLIGHT.



**PREVENT FADING**

DO NOT USE COMMERCIAL WAXES AND POLISHES.



**PREVENT YELLOWING**

DO NOT PLACE HOT OBJECTS ON SURFACE.



**PREVENT FINISH DAMAGE**

DO NOT USE RUBBER BASED PLACE MATS.



**PREVENT DISCOLORING**

## TO CLEAN

USE A SOFT CLOTH MOISTENED IN LEMON OIL POLISH OR LUKEWARM SOAP AND WATER, THEN BUFF WITH A DRY CLEAN CLOTH.



Home Styles will provide replacements free of charge for missing or damaged hardware or parts within 30 days of purchase. Digital images of the defective parts may be required. If this product was not purchased from an authorized retail affiliate, Home Styles is under no obligation to provide replacement parts. Parts are not available for fully assembled items nor are parts available for sale. Replacements for missing or damaged hardware or parts may be requested at:

[www.homestyles-furniture.com/customer\\_service](http://www.homestyles-furniture.com/customer_service)

**Home Styles Consumer Assistance:** [www.homestyles-furniture.com](http://www.homestyles-furniture.com),  
[servicedesk@homestyles-furniture.com](mailto:servicedesk@homestyles-furniture.com), 888-680-7460, 877-831-0319

# 88 5531 512

## Bedford

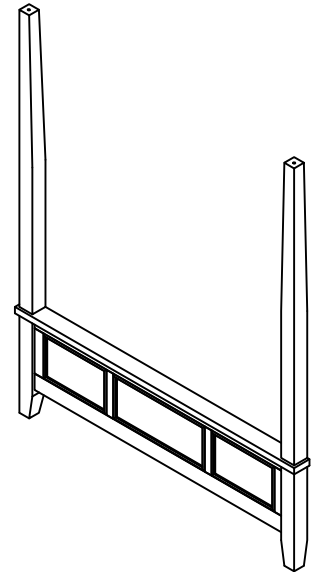
### Queen Poster Footboard

#### IMPORTANT NOTE

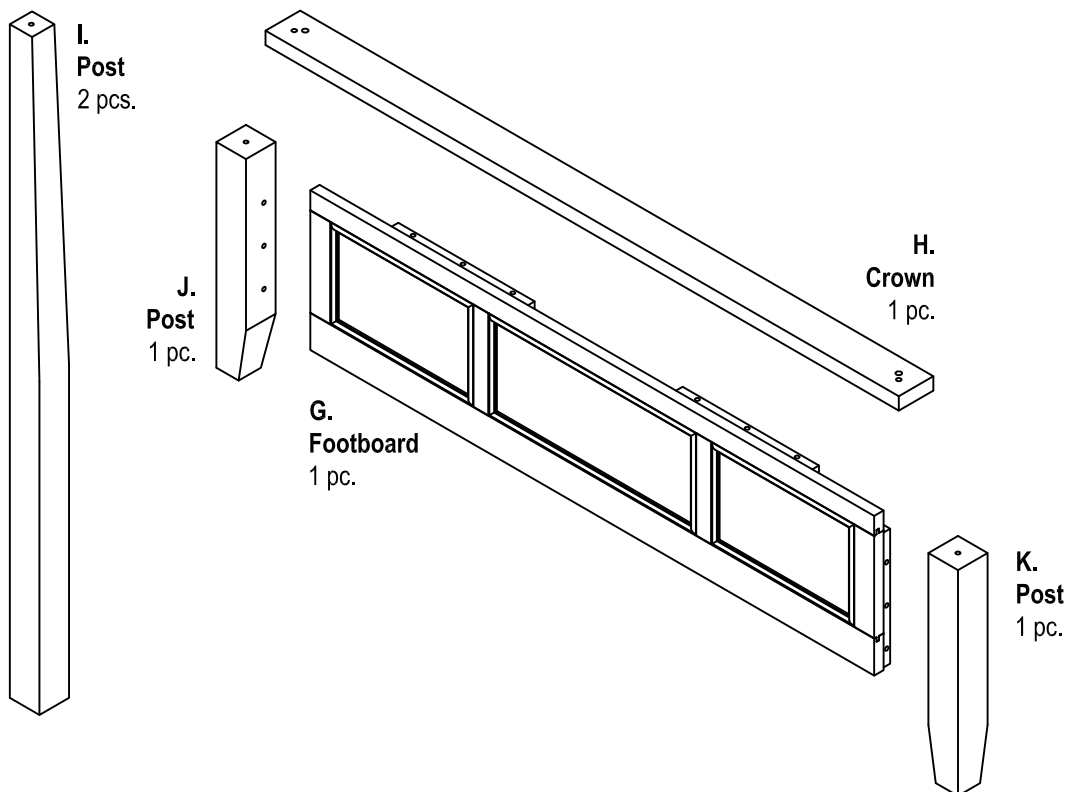
Carefully remove all the parts from the carton and put them individually on a soft cloth to prevent scratches or other damages occurring to the parts.

We have taken great care in the design of this product and request that you carefully and strictly follow our assembly instructions to ensure a completed product as it was designed.

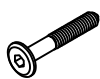
*Home Styles*



## Part List



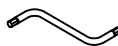
## Hardware List



Head Cap Bolt  
12 pcs. (+1 extra)



Flat Washer  
12 pcs. (+1 extra)



Key Wrench  
1 pc.



Small Key Wrench  
1 pc.



Bolt  
2 pcs. (+1 extra)



Square Washer  
2 pcs. (+1 extra)



Nut  
2 pcs. (+1 extra)



Wrench  
1 pc.



Wooden Dowel  
2 pcs. (+1 extra)

**Home Styles Consumer Assistance:** [www.homestyles-furniture.com](http://www.homestyles-furniture.com),  
[servicedesk@homestyles-furniture.com](mailto:servicedesk@homestyles-furniture.com), 888-680-7460, 877-831-0319

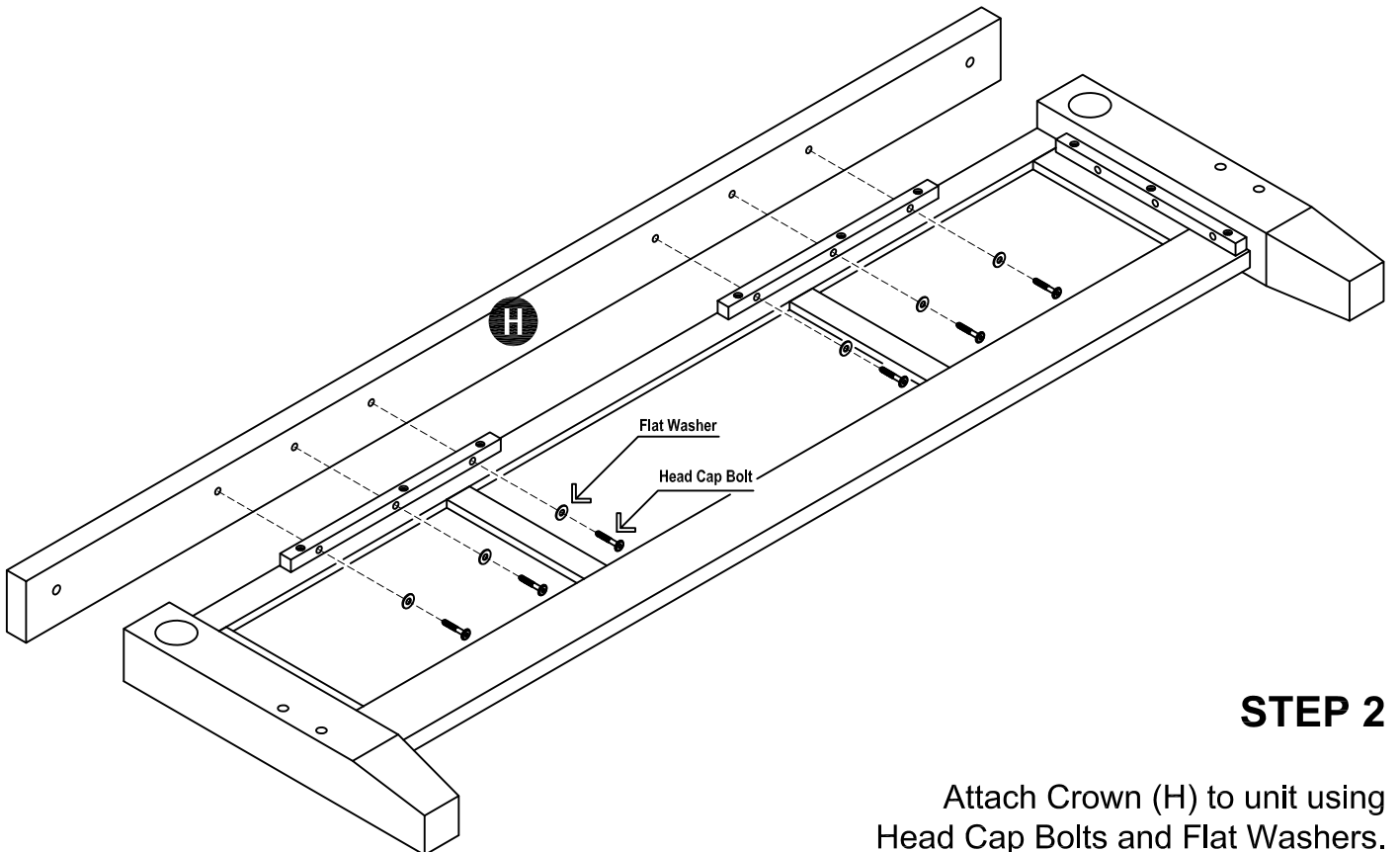
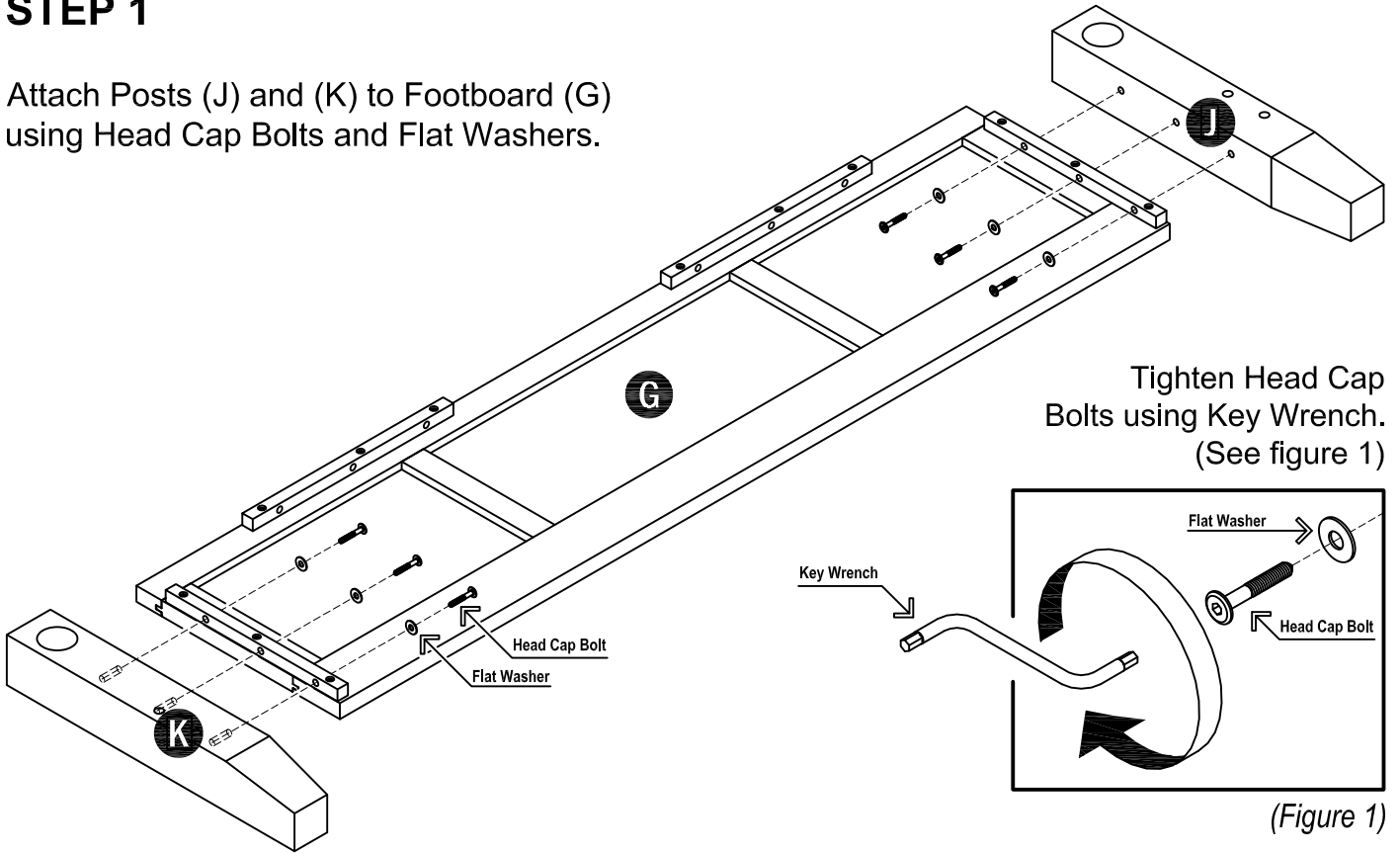
# Assembly Instructions 2/3

## IMPORTANT

- \* Do not tighten up all the bolts until each part is properly assembled.
- \* You should keep Key Wrench in a safe place as you may need to tighten up the bolts in the future.

## STEP 1

Attach Posts (J) and (K) to Footboard (G) using Head Cap Bolts and Flat Washers.



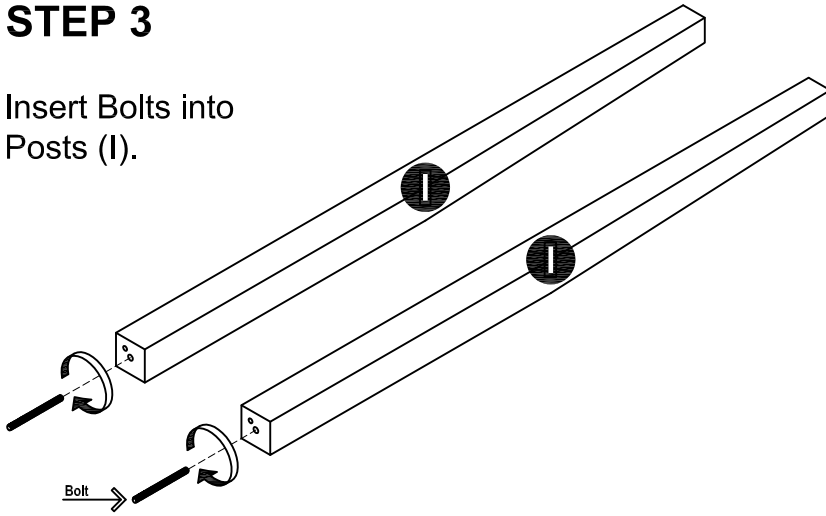
## STEP 2

Attach Crown (H) to unit using Head Cap Bolts and Flat Washers.

# Assembly Instructions 3/3

## STEP 3

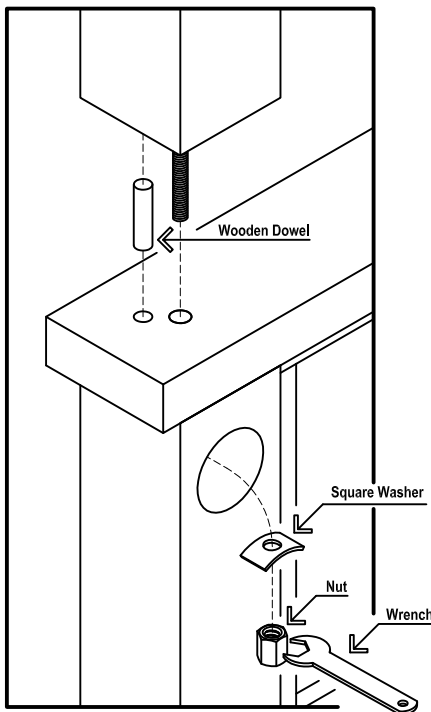
Insert Bolts into Posts (I).



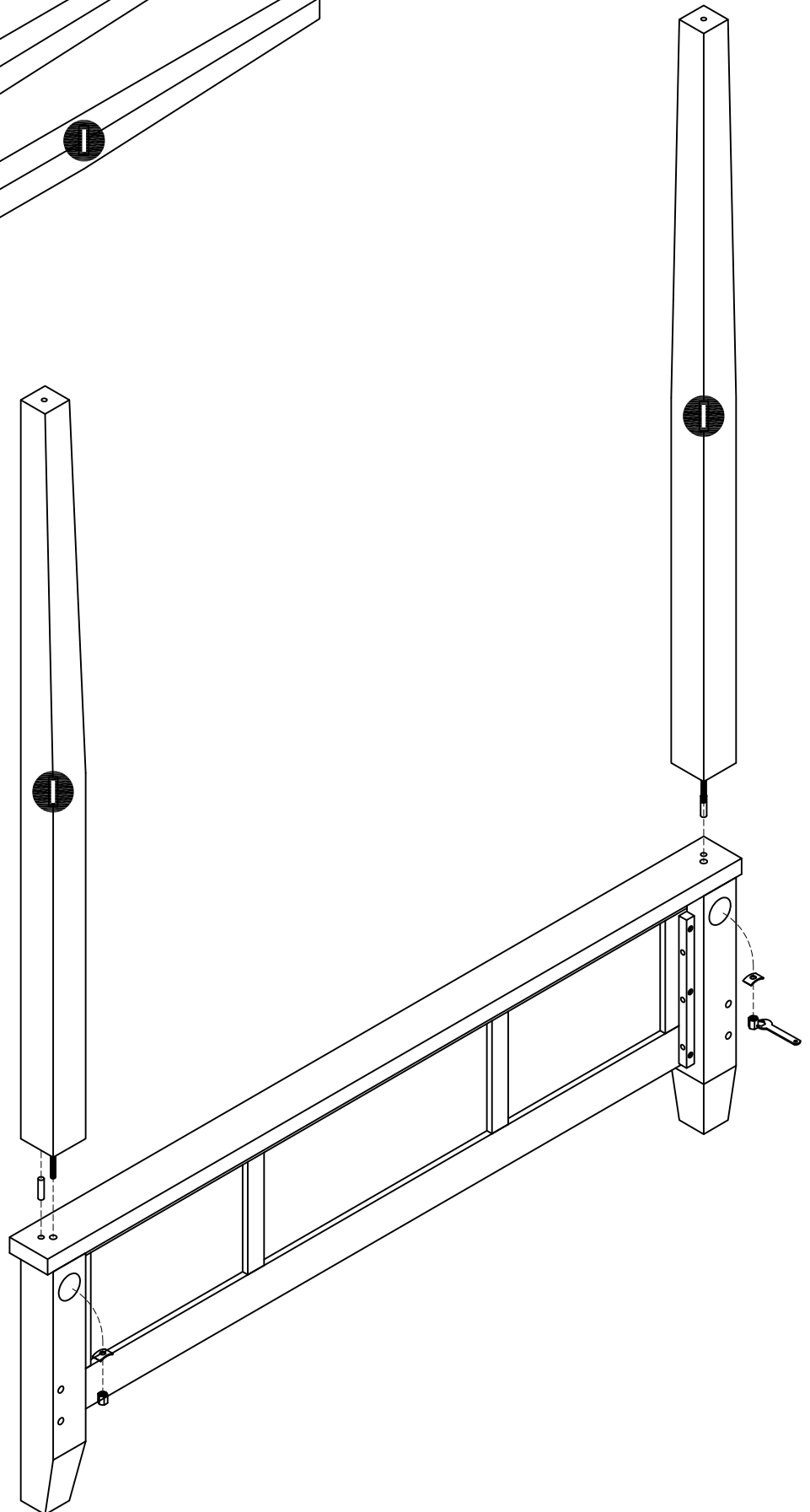
## STEP 4

Attach Posts (I) to unit using Square Washers, Nuts and Wooden Dowel.

Tighten the Bolts with Wrench (See figure 2)



(Figure 2)



# VERY IMPORTANT !!

## CARE INSTRUCTIONS

### NEVER

USE GLASS CLEANERS ON FINISHED FURNITURE. AMMONIA WILL CHEMICALLY ATTACK THE LACQUER.

### NEVER

ALLOW LIQUIDS OF ANY KIND TO REMAIN ON THE FURNITURE. ABSORPTION CAUSES WOOD TO WARP AND SPLIT AND FINISHES TO DELAMINATE.

DO NOT WRITE DIRECTLY ON SURFACE.



**PREVENT MARKING**

DO NOT PLACE IN DIRECT SUNLIGHT.



**PREVENT FADING**

DO NOT USE COMMERCIAL WAXES AND POLISHES.



**PREVENT YELLOWING**

DO NOT PLACE HOT OBJECTS ON SURFACE.



**PREVENT FINISH DAMAGE**

DO NOT USE RUBBER BASED PLACE MATS.



**PREVENT DISCOLORING**

## TO CLEAN

USE A SOFT CLOTH MOISTENED IN LEMON OIL POLISH OR LUKEWARM SOAP AND WATER, THEN BUFF WITH A DRY CLEAN CLOTH.



Home Styles will provide replacements free of charge for missing or damaged hardware or parts within 30 days of purchase. Digital images of the defective parts may be required. If this product was not purchased from an authorized retail affiliate, Home Styles is under no obligation to provide replacement parts. Parts are not available for fully assembled items nor are parts available for sale. Replacements for missing or damaged hardware or parts may be requested at:

[www.homestyles-furniture.com/customer\\_service](http://www.homestyles-furniture.com/customer_service)

**Home Styles Consumer Assistance:** [www.homestyles-furniture.com](http://www.homestyles-furniture.com),  
[servicedesk@homestyles-furniture.com](mailto:servicedesk@homestyles-furniture.com), 888-680-7460, 877-831-0319

# 88 5531 511

## Bedford

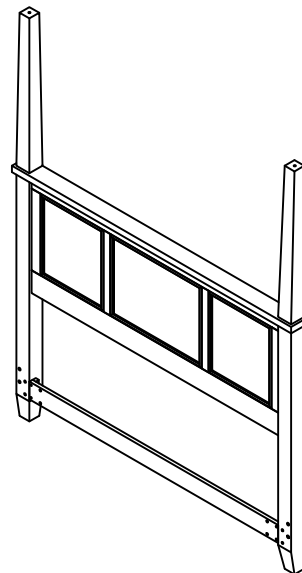
### Queen Poster Headboard

#### IMPORTANT NOTE

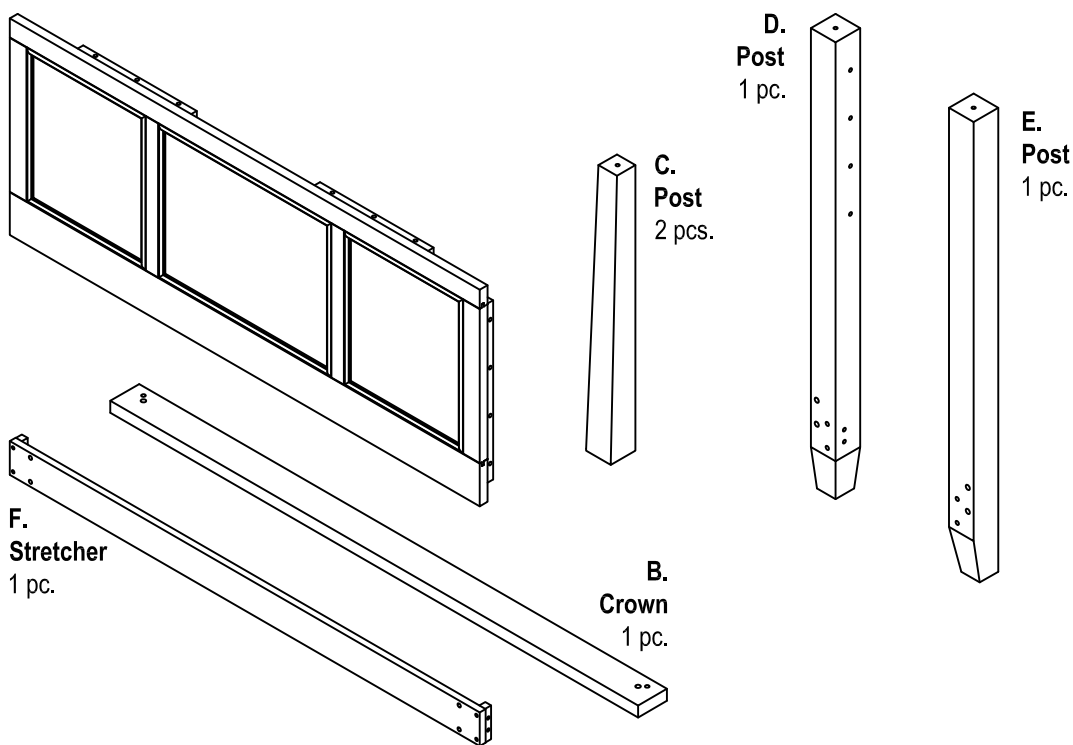
Carefully remove all the parts from the carton and put them individually on a soft cloth to prevent scratches or other damages occurring to the parts.

We have taken great care in the design of this product and request that you carefully and strictly follow our assembly instructions to ensure a completed product as it was designed.

*Home Styles*



## Part List



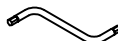
## Hardware List



Head Cap Bolt  
18 pcs. (+1 extra)



Flat Washer  
18 pcs. (+1 extra)



Key Wrench  
1 pc.



Small Key Wrench  
1 pc.



Bolt  
2 pcs. (+1 extra)



Square Washer  
2 pcs. (+1 extra)



Nut  
2 pcs. (+1 extra)



Wrench  
1 pc.



Wooden Dowel  
2 pcs. (+1 extra)

**Home Styles Consumer Assistance:** [www.homestyles-furniture.com](http://www.homestyles-furniture.com),  
[servicedesk@homestyles-furniture.com](mailto:servicedesk@homestyles-furniture.com), 888-680-7460, 877-831-0319



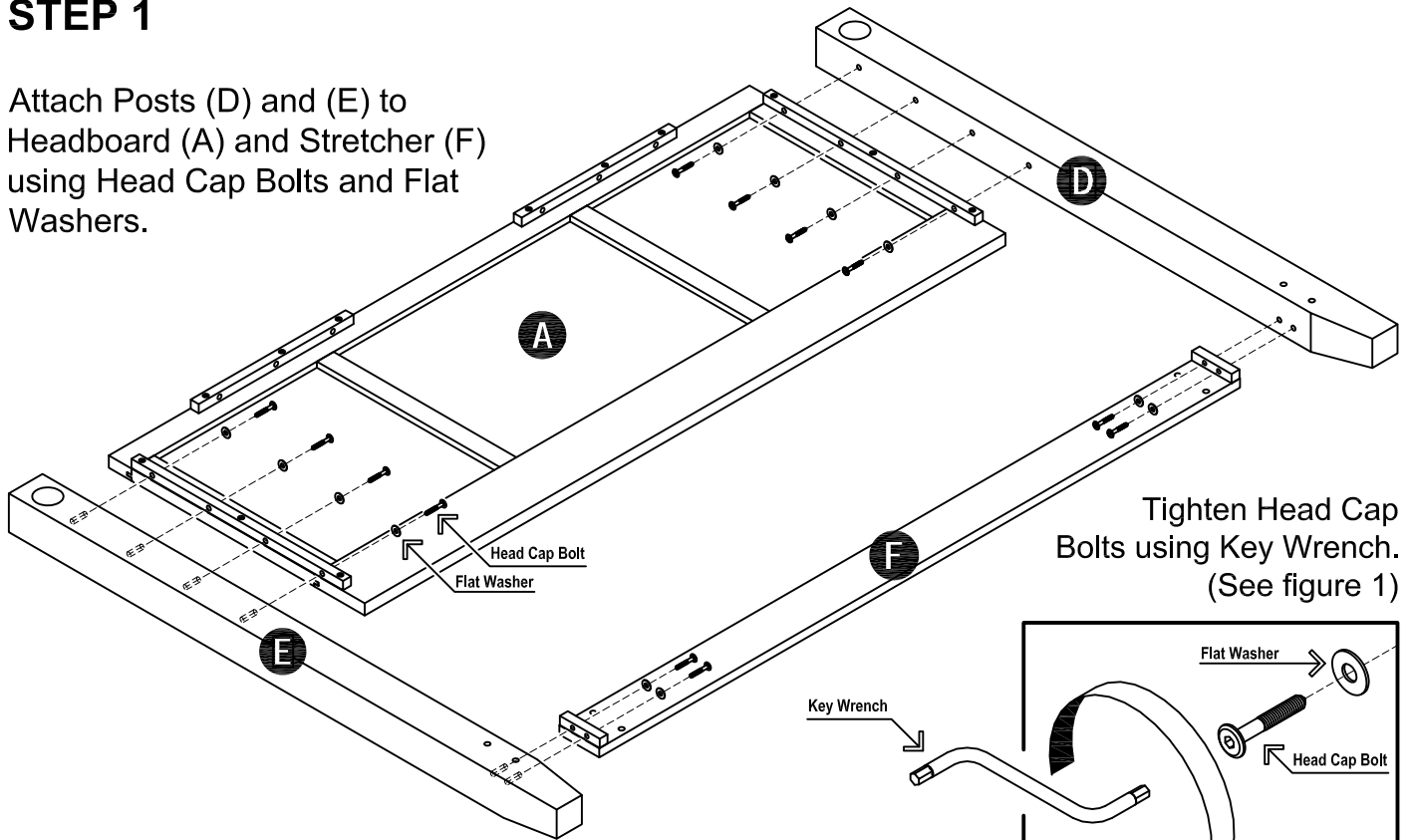
# Assembly Instructions 2/3

## IMPORTANT

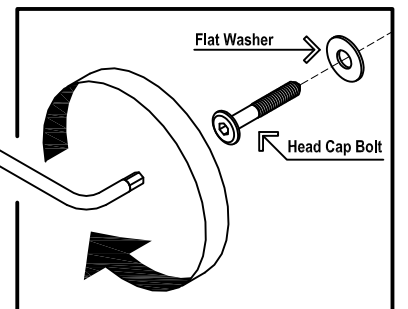
- \* Do not tighten up all the bolts until each part is properly assembled.
- \* You should keep Key Wrench in a safe place as you may need to tighten up the bolts in the future.

## STEP 1

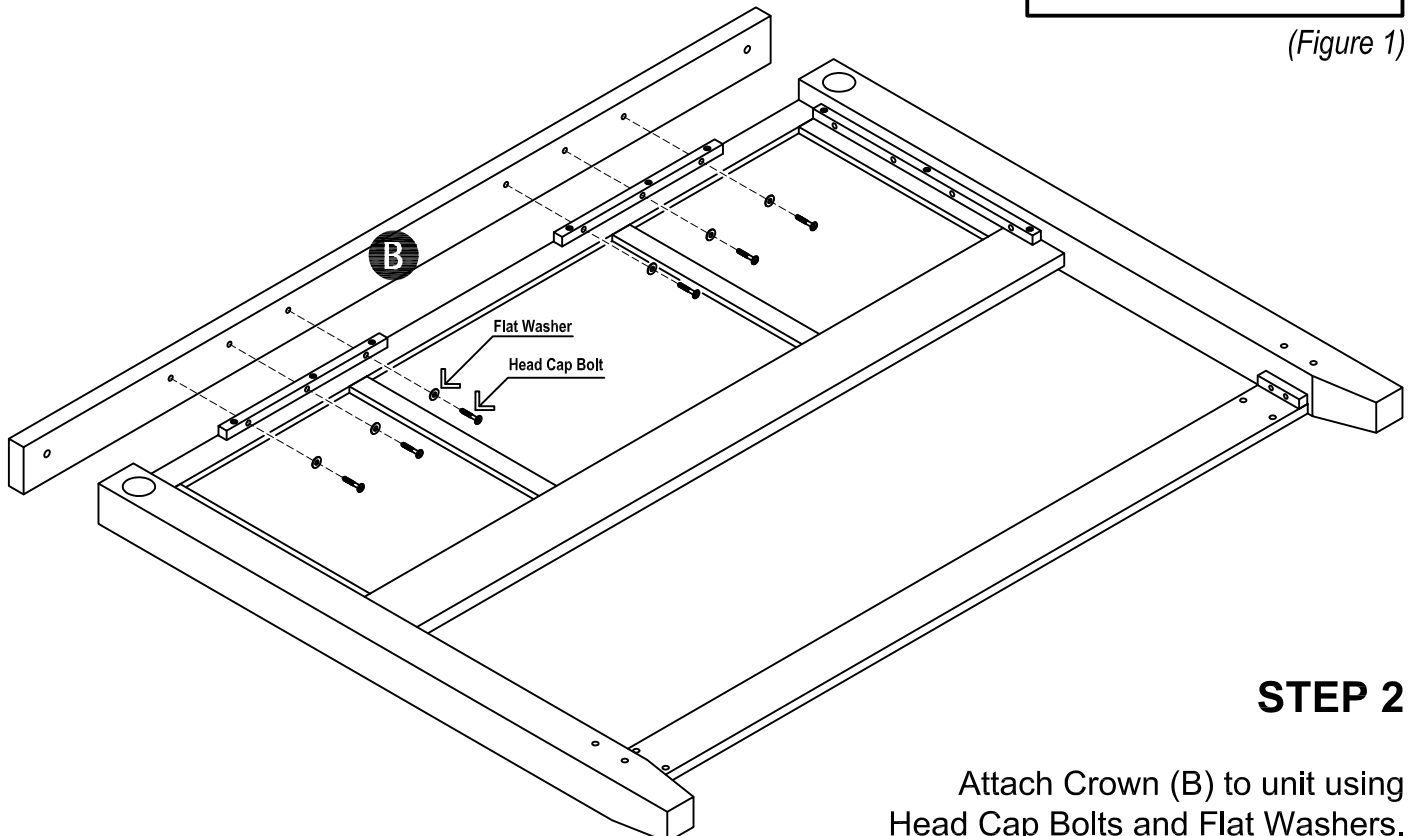
Attach Posts (D) and (E) to Headboard (A) and Stretcher (F) using Head Cap Bolts and Flat Washers.



Tighten Head Cap Bolts using Key Wrench.  
(See figure 1)



(Figure 1)



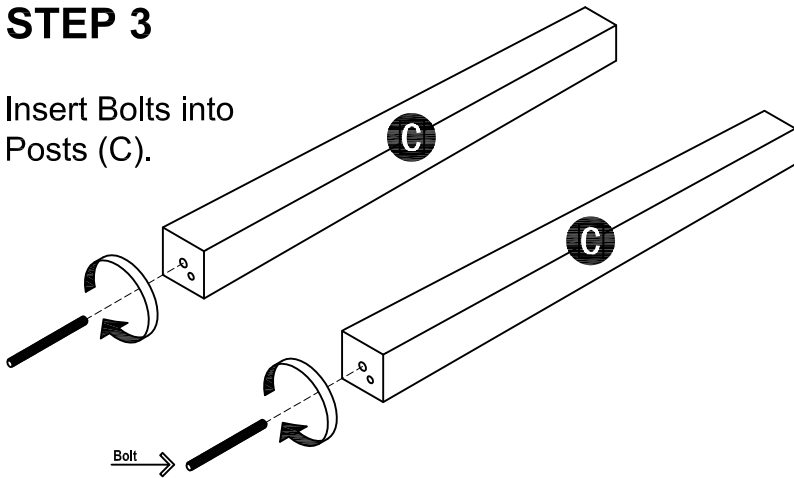
## STEP 2

Attach Crown (B) to unit using Head Cap Bolts and Flat Washers.

# Assembly Instructions 3/3

## STEP 3

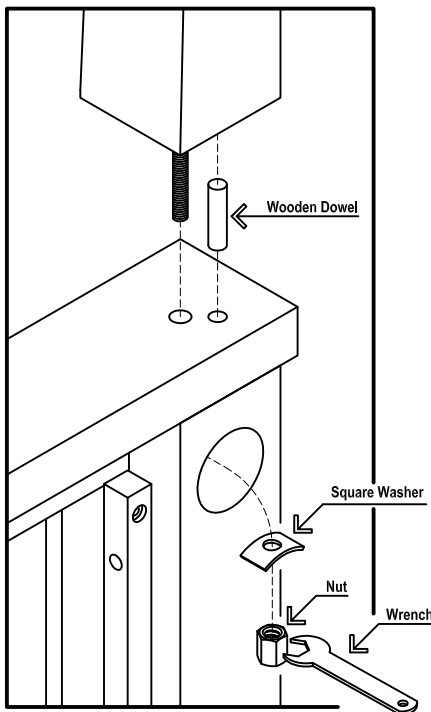
Insert Bolts into Posts (C).



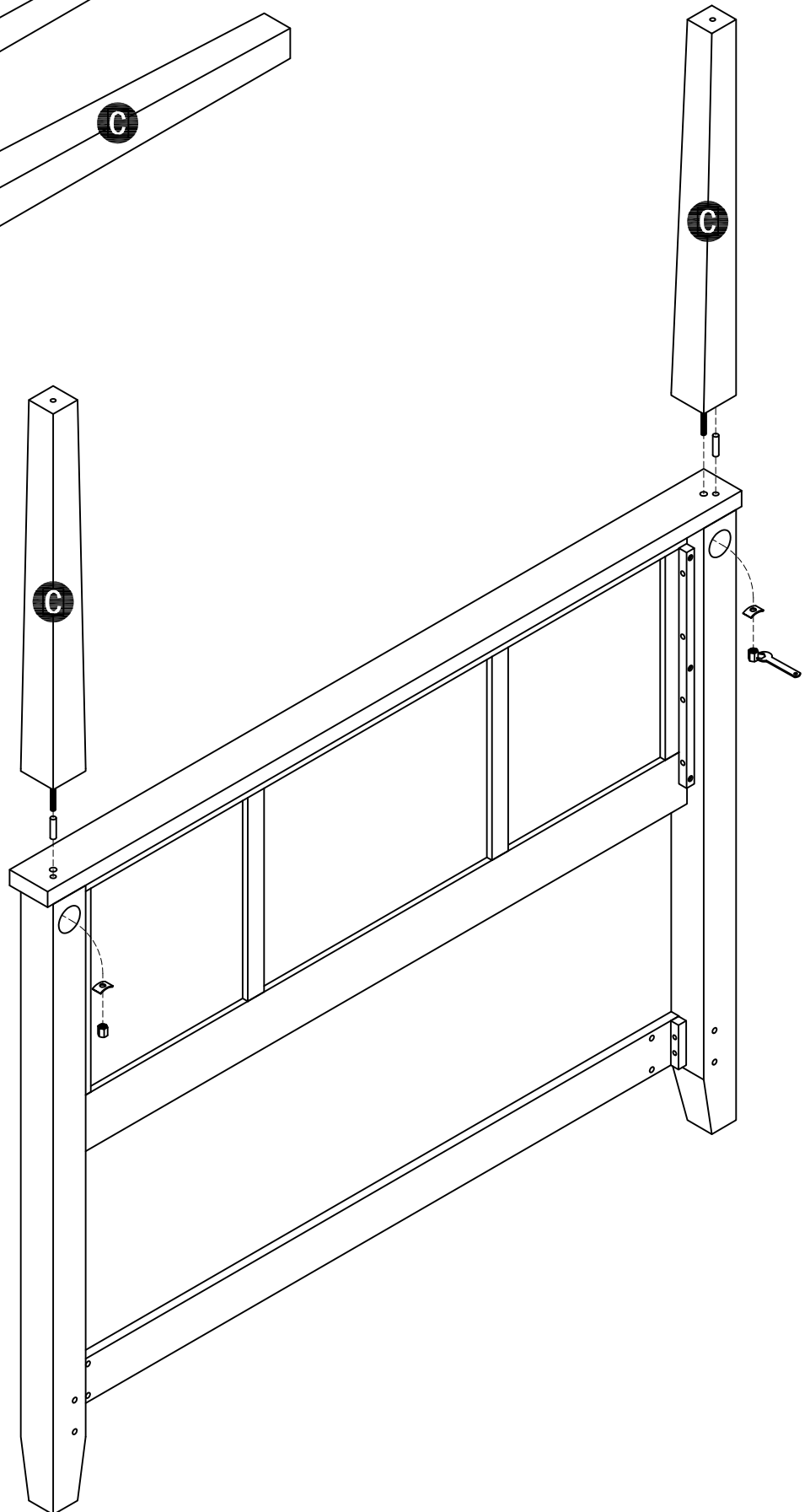
## STEP 4

Attach Posts (C) to unit using Square Washers, Nuts and Wooden Dowel.

Tighten the Bolts with Wrench (See figure 2)



(Figure 2)



# VERY IMPORTANT !!

## CARE INSTRUCTIONS

### NEVER

USE GLASS CLEANERS ON FINISHED FURNITURE. AMMONIA WILL CHEMICALLY ATTACK THE LACQUER.

### NEVER

ALLOW LIQUIDS OF ANY KIND TO REMAIN ON THE FURNITURE. ABSORPTION CAUSES WOOD TO WARP AND SPLIT AND FINISHES TO DELAMINATE.

DO NOT WRITE DIRECTLY ON SURFACE.



**PREVENT MARKING**

DO NOT PLACE IN DIRECT SUNLIGHT.



**PREVENT FADING**

DO NOT USE COMMERCIAL WAXES AND POLISHES.



**PREVENT YELLOWING**

DO NOT PLACE HOT OBJECTS ON SURFACE.



**PREVENT FINISH DAMAGE**

DO NOT USE RUBBER BASED PLACE MATS.



**PREVENT DISCOLORING**

## TO CLEAN

USE A SOFT CLOTH MOISTENED IN LEMON OIL POLISH OR LUKEWARM SOAP AND WATER, THEN BUFF WITH A DRY CLEAN CLOTH.



Home Styles will provide replacements free of charge for missing or damaged hardware or parts within 30 days of purchase. Digital images of the defective parts may be required. If this product was not purchased from an authorized retail affiliate, Home Styles is under no obligation to provide replacement parts. Parts are not available for fully assembled items nor are parts available for sale. Replacements for missing or damaged hardware or parts may be requested at:

[www.homestyles-furniture.com/customer\\_service](http://www.homestyles-furniture.com/customer_service)

**Home Styles Consumer Assistance:** [www.homestyles-furniture.com](http://www.homestyles-furniture.com),  
[servicedesk@homestyles-furniture.com](mailto:servicedesk@homestyles-furniture.com), 888-680-7460, 877-831-0319