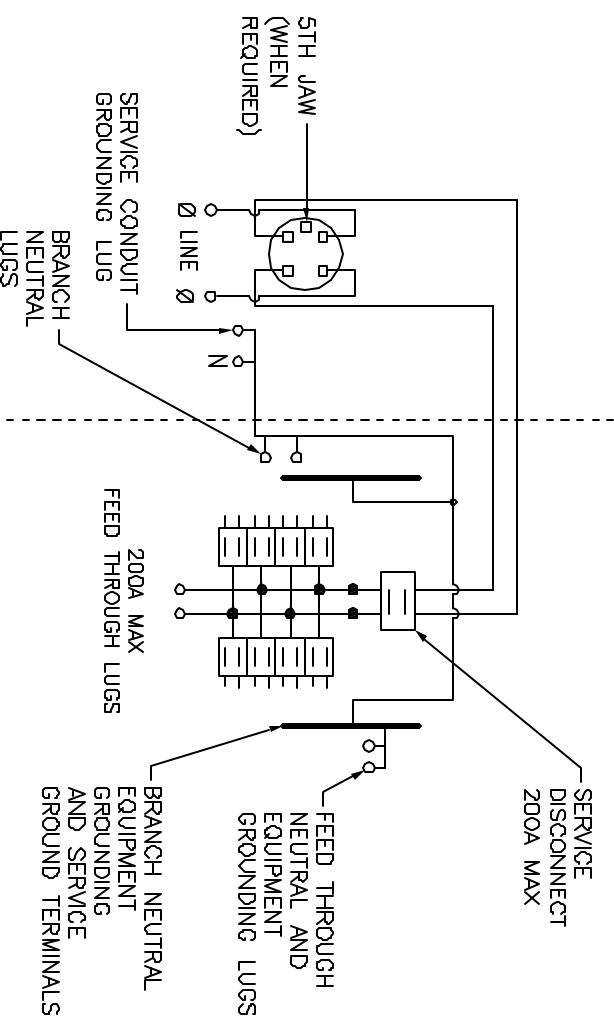
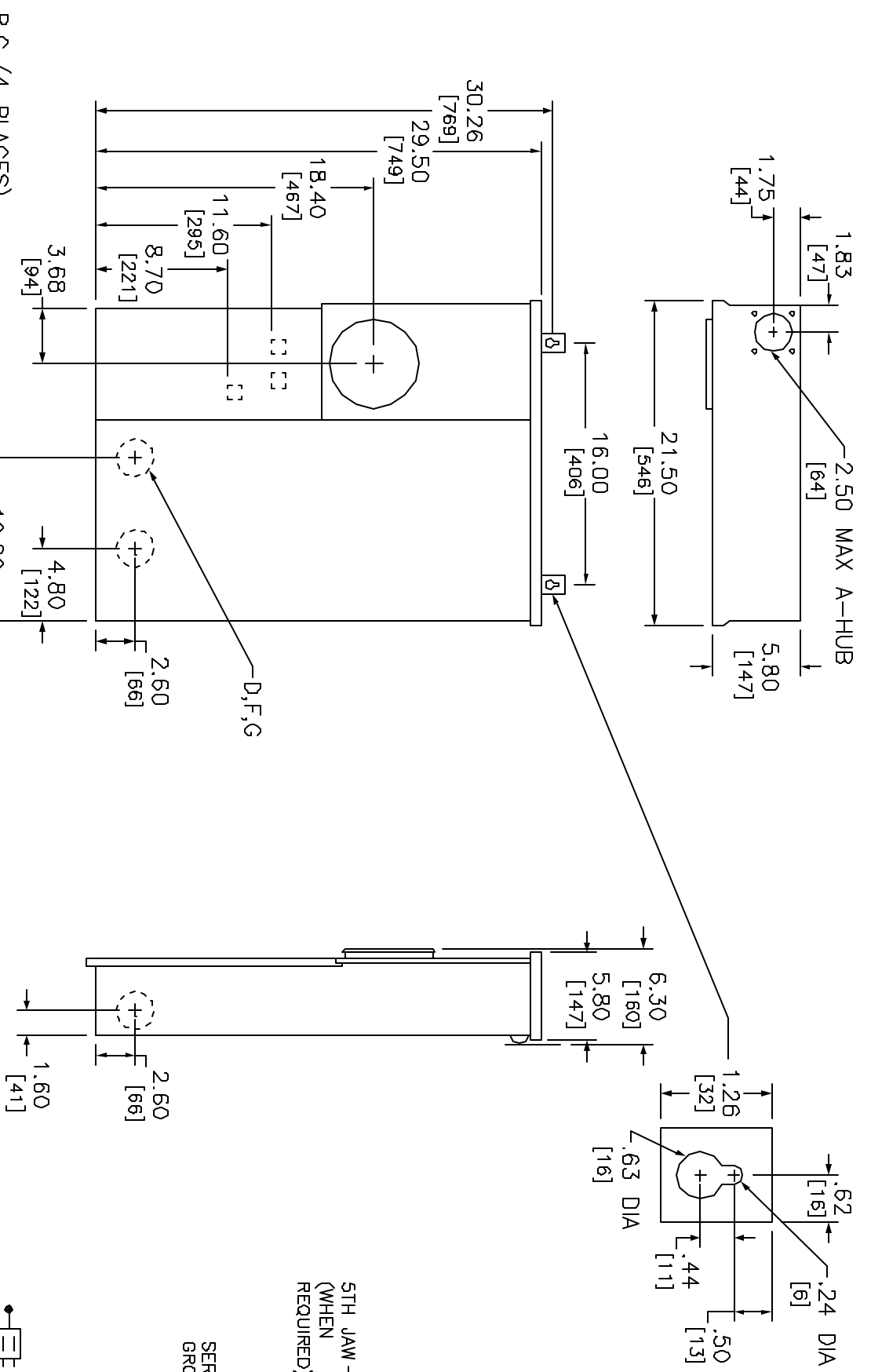


KNOCKOUTS		
SYMBOL	CONDUIT SIZE IN	MM
A	.50	13
B	.75	19
C	1.00	25
D	1.25	32
E	1.50	38
F	2.00	51
G	2.50	64
H	3.00	76



TWO SINGLE POLE, ONE PLUG-ON SPACE TYPE HOMT OR ONE SINGLE POLE TYPE HOM.
TWO POLE TYPE HOM, HOMA OR HOMT (15-110A) MAY PLUG ON TWO ADJACENT SPACES.
TWO POLE TYPE HOMA (150-200A) MAY PLUG ON FOUR ADJACENT SPACES.
USE 15-110A AND 150-200A BRANCH BREAKERS ONLY. TOTAL CIRCUIT BREAKER HANDLE RATING NOT TO EXCEED 170A PER BRANCH CIRCUIT CONNECTOR.
A SQUARE D UL LISTED SECONDARY SURGE ARRESTER MAY PLUG ON TWO ADJACENT SPACES. ORDER CATALOG NO. HOM21755SB

SC816F150S
SC816F200S

DUAL DIMENSIONS: INCHES
MILLIMETERS

NOTES:
FINISH - GRAY BAKED ENAMEL POWDER COAT
PAINT OVER CLEANED GALVANNEALED STEEL.
MAXIMUM SYSTEM VOLTAGE: 120/240 VAC 1 Ø 3W.
UL LISTED - FILE E-6294
SUITABLE ONLY FOR USE AS SERVICE EQUIPMENT.
SUITABLE FOR UNDERGROUND/OVERHEAD SERVICE.
MEETS EUSERC SPECIFICATIONS.

AMPERE RATING	FACTORY INSTALLED BYPASS TYPE	SHORT CIRCUIT CURRENT RATING	CATALOG NUMBER	SERIES	SPACES	MAXIMUM NUMBER OF SINGLE POLE HOM CIRCUITS	LINE SIDE PHASE & NEUTRAL LUGS (AWG/KMIL)	FEED THROUGH LUGS PHASE & NEUTRAL (AWG/KMIL)	LARGE BRANCH NEUTRAL AWG
150	NONE	22K	SC816F150S	M01	8	16	#4-250 CU/AL	#6-250 CU/AL	#14-2/0
200	NONE	22K	SC816F200S	M01	8	16	#4-250 CU/AL	#6-250 CU/AL	#14-2/0

COMBINATION SERVICE ENTRANCE DEVICES
RING TYPE
RAINPROOF NEMA TYPE 3R ENCLOSURE
SURFACE ONLY



DWG# 3188
NO.