

LIFT & LOCK TWO-HOLE BATH WASTE

EASTMAN®

*Peace of Mind...
For the Professional Plumber*

TECHNICAL DATA

DESCRIPTION:

- Lift & Lock Two-Hole Style

CONSTRUCTION:

- 1-1/2" Drain
- Two-Hole Overflow Plate
- Polypypropylene Tube
- Adjusts To Fit Most Bathtubs
- Chrome-Plated Trim

CODE APPROVALS:



PACKAGING:

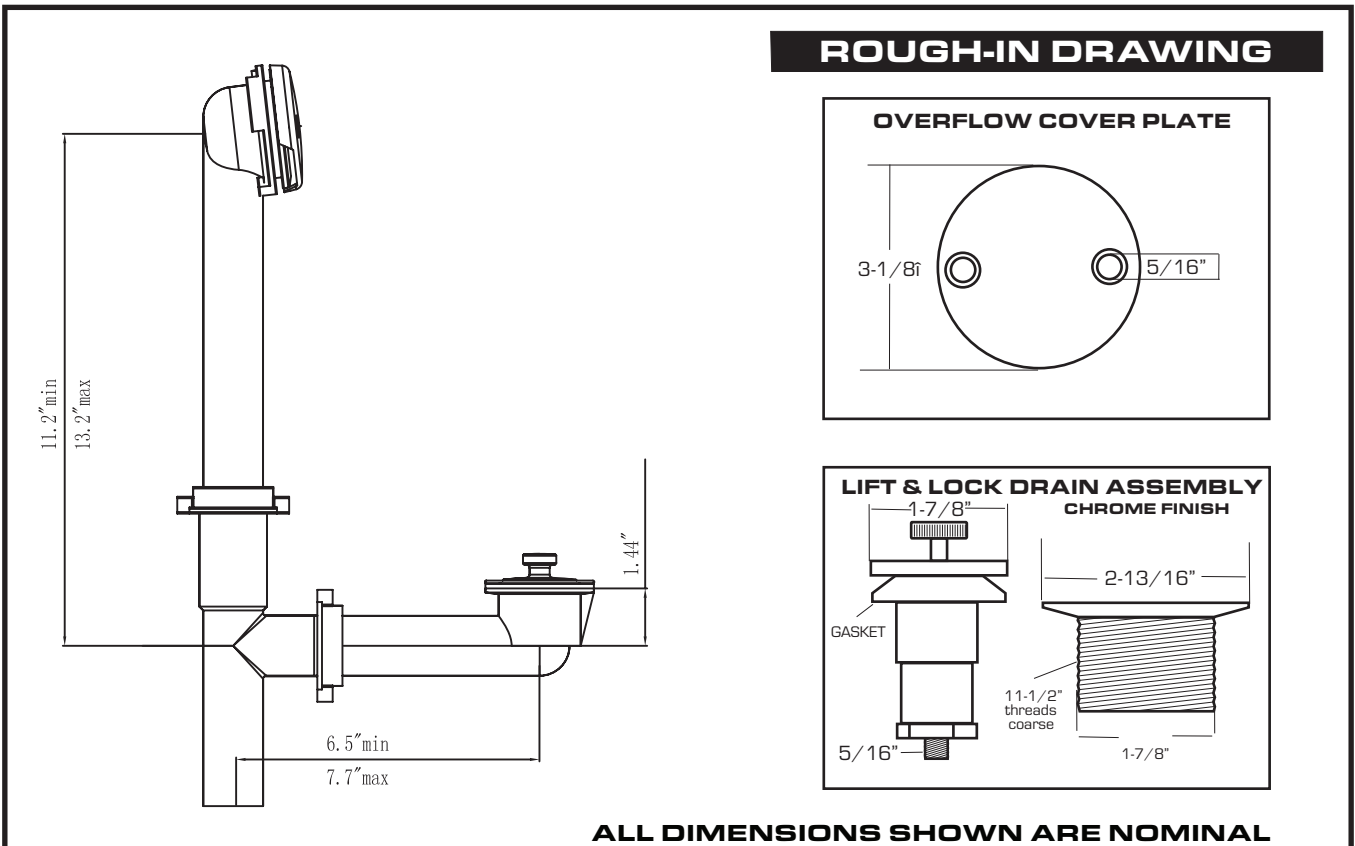
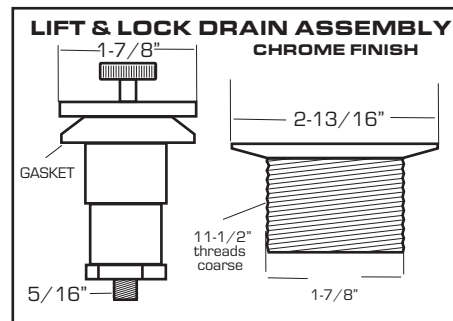
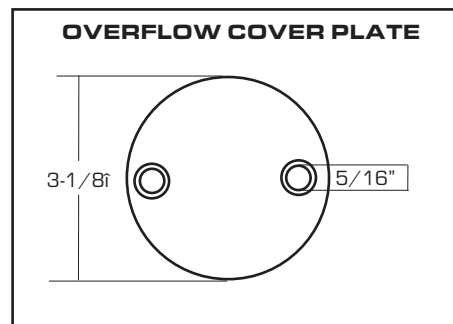
- Box



PART#	DESCRIPTION	INNER	MASTER
35215	Chrome	1	10
35339	Brushed Nickel	1	10

COUNTRY OF ORIGIN: CHINA

ROUGH-IN DRAWING



ALL DIMENSIONS SHOWN ARE NOMINAL

