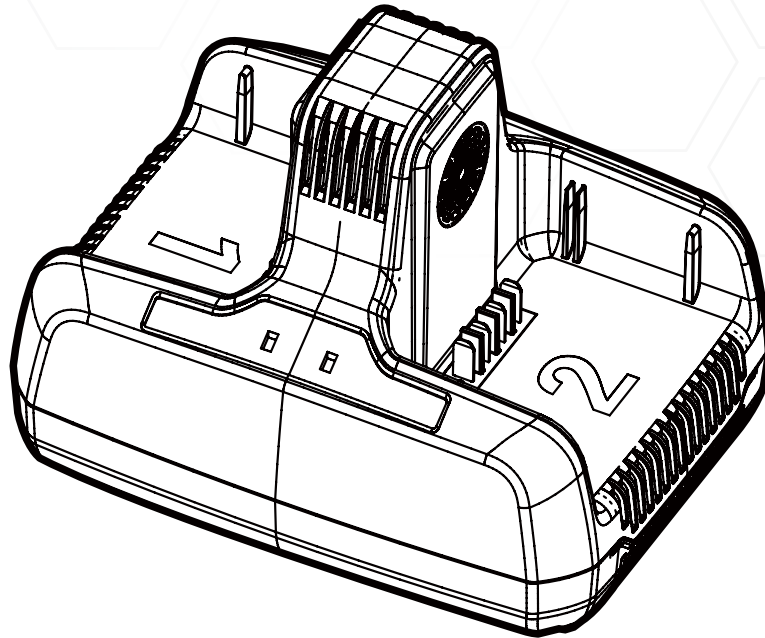


KOBALT™



MODEL #3811680

80V MAX LITHIUM-ION DUAL PORT CHARGER

MODEL #KDC 50-06

Español p.7

ATTACH YOUR RECEIPT HERE

Serial Number _____

Purchase Date _____

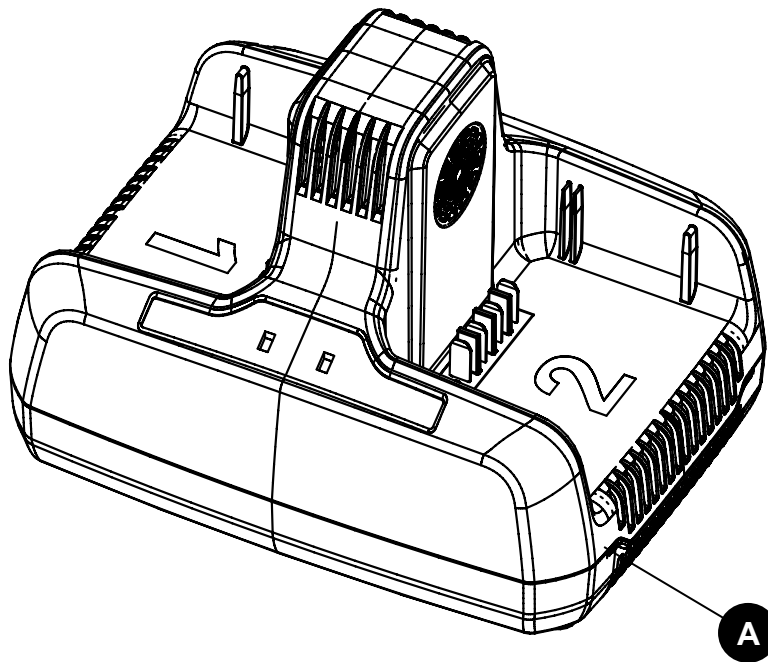


Questions, problems, missing parts? Before returning to your retailer, call our customer service department at **1-888-3KOBALT** (1-888-356-2258), 8 a.m. - 8 p.m., EST, Monday - Sunday.

PRODUCT SPECIFICATIONS

COMPONENTS	SPECIFICATIONS
Model No.	KDC 50-06
Input	120 V AC 50/60Hz, 8A
Output	80 V DC 8A
Weight	3.4 lbs. (1.54 kg)

PACKAGE CONTENTS



PART	DESCRIPTION	QUANTITY
A	Charger	1



SAFETY INFORMATION

IMPORTANT SAFETY INSTRUCTIONS

Save these instructions – Danger : to reduce risk of fire or electric shock, carefully follow these instructions.

- Confirm the voltage available at each location before using the charger.
- For indoor use only.
- Use only KB 280C-06 or Kobalt 80V series approved replacement batteries, other types of batteries may burst causing personal injury and damage, risk of electric shock. Do not touch the uninsulated portion of output connector or uninsulated battery terminal.
- Do not allow liquid inside the charger.
- Do not use the charger for any other purpose than what is presented in this manual.
- Do not cover the ventilation slots on the top of the charger. Do not set the charger on a soft surface, i.e. blanket, pillow. Keep the ventilation slots of the charger clear.
- Do not allow small metal items or material such as steel wool, aluminum foil, or other foreign particles into the charger cavity.

Note: This equipment has been tested and found to comply with the limits for a Class B digital device, pursuant to Part 15 of the FCC Rules. These limits are designed to provide reasonable protection against harmful interference in a residential installation. This equipment generates, uses and can radiate radio frequency energy and, if not installed and used in accordance with the instructions, may cause harmful interference to radio or television reception, which can be determined by turning the equipment off and on, the user is encouraged to try to correct the interference by one or more of the following measures:

- Reorient or relocate the receiving antenna.
- Increase the separation between the equipment and the receiver.
- Connect the equipment into an outlet on a circuit different from that to which the receiver is connected.
- Consult the dealer or an experienced radio/TV technician for help.

This device complies with Part 15 of the FCC Rules. Operation is subject to the following two conditions: (1) this device may not cause harmful interference, and (2) this device must accept any interference received, including interference that may cause undesired operation.

This Class (A or B) digital apparatus complies with Canadian ICES-003.

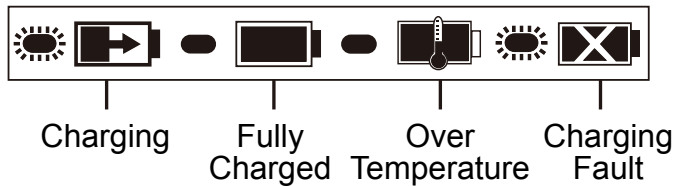
CAUTION: Changes or modifications not expressly approved by the party responsible for compliance could void the user's authority to operate the equipment.

OPERATING INSTRUCTIONS

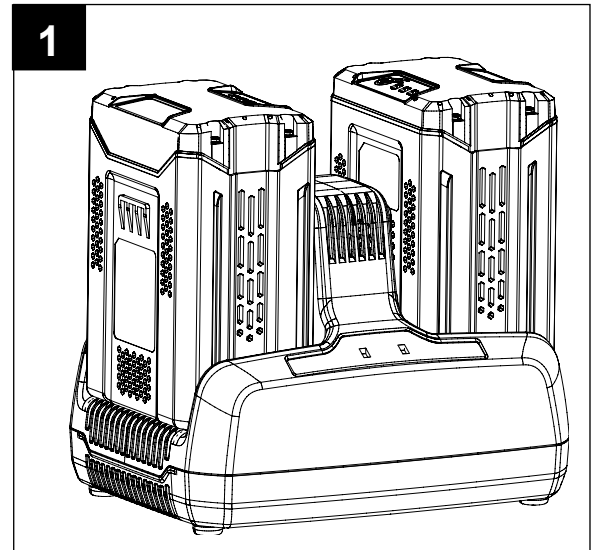
1. Charging procedure

- Plug the charger into an AC power outlet.
- Insert the battery into the charger.

This is a diagnostic charger. The charger LED lights will illuminate in specific order to communicate the current status. They are as follows:



LED STATUS	DESCRIPTION
Blinking Green	Charging
Solid Green	Fully Charged
Solid Red	Over Temperature
Blinking Red	Charging Fault



False defect note:

When the battery is inserted into the charger and the status LED blinks RED, remove the battery from the charger for 1 minute, then reinsert. If the status LED blinks GREEN, then the battery is properly charging. If the status LED is still blinking RED, remove the battery and unplug the charger for 1 minute. After 1 minute, plug in the charger and reinsert the battery. If the status LED blinks GREEN, then the battery is properly charging. If the status LED is still blinking RED, the battery is defective and needs to be replaced.

Battery storage:

If the battery will not be used for 3 months or more, please store the battery in a room temperature environment. Please fully charge before storage.

Low voltage charging:

If the battery has been stored with little to no charge for a long period of time, the charger will go into recovery mode, which will take 20 hr. to fully charge the battery. This will enhance the life of the battery. Once it is fully charged, the next charge will return to standard charging.

OPERATING INSTRUCTIONS

WARNING

If the battery is inserted into the charger when warm or hot, the charging LED indicator light on the charger may switch on and illuminate RED. If this occurs, allow the battery to cool inside of the charger. The battery will begin charging once it has returned to charging temperature.

2. Checking the charge

If the battery pack does not charge properly:

- Check the current at the power outlet with another tool. Make sure that the outlet is not turned off.
- Check that the charger contacts have not been shorted by debris or foreign material.
- If the air temperature is above 104°F (40°C) or below 45°F (7°C), move the charger and battery pack to a room temperature location.

Note: If the battery and the charger won't be used for a long time, remove the battery from the charger and pull out the AC power plug.

CARE AND MAINTENANCE

- Keep the charger clean and clear of debris. Do not allow foreign material to get into the recessed cavity or onto the contacts. Wipe the charger clean with a dry cloth. Do not use solvents or water, and do not place the charger in wet conditions.
- Unplug the charger when there is no battery pack in it.
- The battery pack may be stored in the charger; however, it is recommended to disconnect the charger from the power source.
- To ensure safety and reliability, all repairs should be performed by a qualified service technician.
- Check that the charger contacts have not been shorted by debris or foreign material.
- Store the charger at normal room temperature. Do not store it in excessive heat. Do not use the charger in direct sunlight. Recharge at room temperature between 45°F and 104°F (7°C and 40°C). If the battery pack is hot, allow it to cool inside the charger.

TROUBLESHOOTING

PROBLEM	POSSIBLE	CORRECTIVE
Charger doesn't work. Charger shows defective mode. (LED flashes Red)	Battery pack or charger is defective or bad connection between the battery pack and charger.	1. Try to remove and reinsert the battery pack in the charger. 2. Try to charge a different battery pack. 3. Unplug the charger and wait until the red LED goes out, then reconnect the plug to the power supply.
Charger doesn't work. Charger shows evaluation mode. (LED indicates Red solid ON)	Battery pack is too hot or too cold.	Allow the battery pack to reach normal temperature. Charging will begin when the battery pack returns to 37°F-117°F (3°C-47°C) .

WARRANTY

Kobalt charger

3-YEAR LIMITED WARRANTY

This Kobalt charger is warranted to the original purchaser from the original purchase date for three (3) years subject to the warranty coverage described herein.

This Kobalt charger here is warranted for the original user to be free from defects in material and workmanship.

If you believe that the Kobalt charger is defective at any time during the specified warranty period, simply return the Kobalt charger along with proof of purchase to the place of purchase for a free replacement or refund, or call 1-888-3KOBALT (1-888-356-2258) for warranty service.

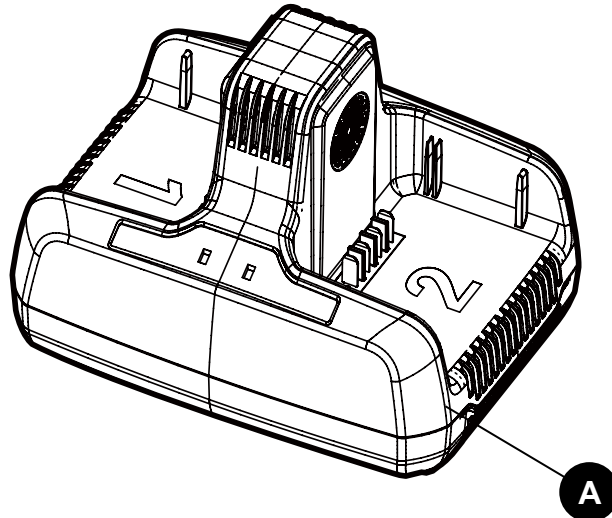
This warranty is void if:

- defects in materials or workmanship or damages result from repairs or alterations which have been made or attempted by others or the unauthorized use of nonconforming parts;
- the damage is due to normal wear, damage is due to abuse (including overloading of the tool beyond capacity), improper maintenance, neglect or accident; or the damage is due to the use of the tool after partial failure or use with improper accessories or unauthorized repair or alteration.

This warranty gives you specific legal rights and you may also have other rights that vary from state to state.

REPLACEMENT PARTS LIST

For replacement parts, or if you have any questions or issues with this product or would like to speak to a Kobalt product expert, please call our customer service department at 1-888-3KOBALT (1-888-356-2258), 8 a.m. - 8 p.m., EST, Monday - Sunday.



PART	DESCRIPTION	PART#
A	80 V Charger	T0200115-00