



USER GUIDE

Thank you for choosing Fresh Air Screens, Inc.

We are pleased to provide high quality, American-made products that allow you to make the most out of your space. By adding a Fresh Air Screen®, you've taken the first step to creating a new experience for your garage, porch, or similar structure.

Fresh Air Screens® are designed to be flexible, versatile and convenient, making them perfect for a variety of residential and commercial applications. Our patented design makes them easy to install, easy to use, and easy to remove for storage.

Please refer to this guide for product and installation information. If you would like to find out more about our products and services, please visit us at www.freshairscreens.com.

TABLE OF CONTENTS

I. INTRODUCTION

<i>Choosing the Right Screen: Measuring</i>	2
<i>Choosing the Right Screen: Stationary</i>	3
<i>Choosing the Right Screen: Retractable</i>	4
<i>Choosing the Right Screen: Rod Pockets</i>	5
<i>Recommended Care</i>	6
<i>User Agreement</i>	6

II. INSTALLATION

<i>Installation Instructions: Basic</i>	7
<i>Installation Instructions: Rope and Pull Kit - Model C</i>	9
<i>Installation Instructions: Rope and Pull Kit - Model D</i>	12

III. PRODUCT AND SERVICE

<i>Replacement Parts</i>	15
<i>Frequently Asked Questions</i>	16
<i>Customer Support</i>	16
<i>Warranty Terms and Conditions</i>	17

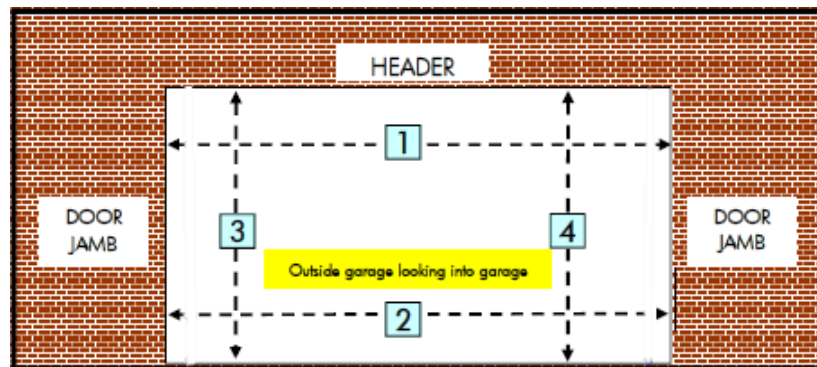


Choosing the Right Screen Measuring

Fresh Air Screens® are designed to fit your structure without interfering with related mechanisms. They are categorized by the size and model.

Find the Right Size

1. Measure the exact width of the garage door opening #1 and #2 (from door jamb to door jamb, not from the weather strips). These measurements should both be the same size but may not be. Make no allowances.
2. Measure the exact height of the garage door opening #3 and #4 (from the door header to the floor, not from the weather strips). These measurements should both be the same size but may not be. Make no allowances.
3. Make note of the Width (1st) x height (2nd) for your measurement. For example, a 16x7 screen is 16ft(width) x 7ft(height). These measurements are not reversible.



Available Sizes

All models are available in the following sizes. Dimensions = width x height

7-foot-high openings

8'x7'
9'x7'
10'x7'
16'x7'
18'x7'

8-foot-high openings

9'x8'
10'x8'
16'x8'



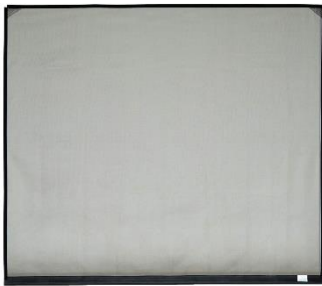
Choosing the Right Screen

Stationary Screens

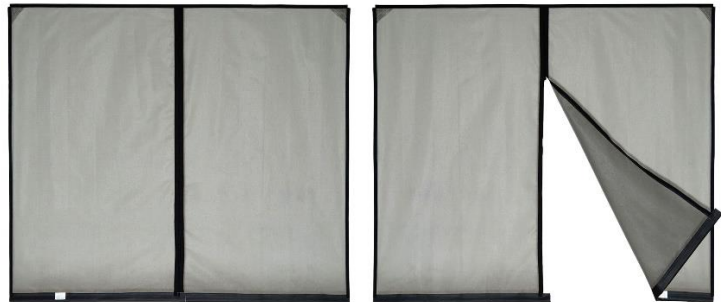
Fresh Air Screens® are designed to fit your structure without interfering with related mechanisms. They are categorized by the size and model.

Stationary Screens

Stationary screens are used in areas that do not require vehicle traffic. They work great on porches and patios, or garages that are used as alternative or extended rooms.



Model A – 0 Zipper
(Does not Open)



Model B, 1 Zipper
(Shown Closed and Open)

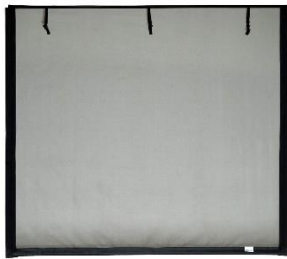


Choosing the Right Screen Retractable Screens

Fresh Air Screens® are designed to fit your structure without interfering with related mechanisms. They are categorized by the size and model.

Retractable Screens

Retractable screens are great for areas that allow vehicle entry, such as garages, car ports, barns and more. They do not interfere with garage mechanisms. Rope and Pull kits can be added to screens with buckles and straps.



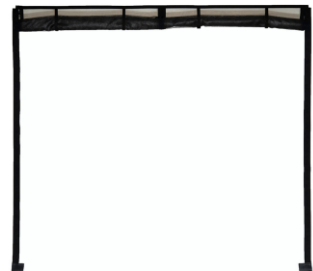
Model C - 2 Zipper (Shown Closed and Raised)
Featuring Buckles and Straps



Model C, 2 Zipper (Shown Closed and Raised)
Featuring a Rope and Pull Kit



Model D - 3 Zipper, (Shown Close, Open, and Raised)
Featuring Buckles and Straps



Model D - 3 Zipper, (Shown Close, Open, and Raised)
Featuring Rope and Pull Kit





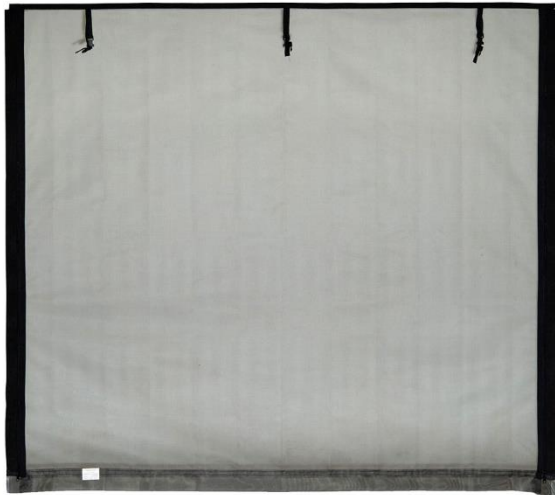
Choosing the Right Screen Rod Pockets

Fresh Air Screens® are designed to fit your structure without interfering with related mechanisms. They are categorized by the size and model.

Add the Right Finish

All models feature a rod pocket at the bottom, so that a rod (3/4" PVC pipe recommended) can be inserted. This serves to keep the screen in good form when it is rolled up (retractable screens), and also helps seal the bottom when the screen is down. Rod pockets may be made in the same fiberglass mesh as the rest of the screen or in vinyl.

- ◆ Model C Shown with Mesh Rod Pocket



- ◆ Model C Shown with Vinyl Rod Pocket



Benefits of a Mesh Rod Pocket

- Lighter Weight
- Added Flexibility
- Subtle Aesthetics

Benefits of a Vinyl Rod Pocket

- Heavier Weight
- Heavy-Duty
- Bold Aesthetics



RECOMMENDED CARE

CARE FOR THE SCREEN Caring for your Fresh Air Screen is a breeze. It can be left up all year long, or it can be removed for storage. Please do not use sharp objects on your screen, as this can damage your screen and void any return/warranty policies. To add roofing nails for extra hold; please apply this to the adhesive loop only. Your screen can be easily removed and stored until you are ready to use again. Remove any nails from the adhesive loop (if applied). Gently wash your screen with soap and water. Allow the screen to dry thoroughly before storing.

CARE FOR THE ADHESIVE LOOP Make sure the surface of the frame is clean and dry before applying the adhesive loop strip. You can use isopropyl alcohol and water, but avoid harsh chemicals, silicone sprays or cleaners that leave a sticky or oily residue, as this can affect your application. Make sure the area has dried fully before applying the adhesive loop strip. Allow the tape to fully cure prior to installing your screen. To do this, apply the adhesive loop strip and let it sit for 24 hours, then fasten your screen to it, using the instructions provided. This will allow the adhesion to work at its full strength before adding the weight of the screen. It is common for adhesive loop strips to be lifted first at the corners. If you find this to be the case with your screen, try rounding off the corners with a pair of scissors. This will reduce the likelihood of the corners catching and lifting. Some areas that are exposed to extreme temperatures or weather conditions may experience some difficulty with maintaining proper adhesion. It is okay to apply roofing nails, marine screws, or similar binding to the adhesive loop strip. If you choose this option, be sure to avoid puncturing the screen itself with sharp points or edges.

CARE FOR ZIPPERS Fresh Air Screens feature heavy-duty zippers that do not require special attention for everyday use. The following are tips to troubleshoot zipper issues that may occur. **Is your zipper not zipping?** Nothing is more frustrating than sliding the zipper pull and finding out that nothing happened. This could simply be a slider issue that can be solved with a plier. Narrow both side gaps, then the vertical (up and down) gap to tighten it. Adjustments should be very slight, as it may not take much to restore it to full use. Check the slider, then adjust it again if necessary. **Is your zipper stuck?** Usually, this is not a difficult problem to solve as it is usually stuck on a thread or hair. The solution is as simple as finding the blockage and removing it. If you do not see a blockage, check the alignment of the teeth. Fixing an alignment issue in the teeth might be a bit more complicated, so check with a representative to see what options fit your scenario best! **Is the pull tab broken?** It's not too common for a pull tab to break on the heavy-duty zippers used on Fresh Air Screens, but anything is possible! Simply insert a metal ring, thin wire or even a paperclip into the slider to replace the pull.

CARE FOR ROD POCKETS Use caution when inserting the rods. If they are cut sharp or jagged, they may catch on the stitching or fibers and tear the material. Sand down the edges or put rubber caps on the ends to prevent damage. Inserting too much weight on the screen can cause pulling on the adhesive loop or stitching. If you find signs of stretching or tearing, replace your rod with a light weight. When inserting the rod - do not force the rod through. Work slowly and adjust the material if you feel any tension to prevent forceful damage.

USAGE AGREEMENT

Fresh Air Screens® are specifically designed to act as a door screen for garages, porches, patios, and similar structures. The use of a Fresh Air Screen® can improve ventilation in these structures. They are specifically designed to not interfere with associated mechanisms such as garage doors. Fresh Air Screens, Inc. does not condone the use of the Fresh Air Screen®, for any other purpose or structure listed above. Any usage outside of this agreement voids the Manufacturing Warranty, and Fresh Air Screens, Inc. will not be held liable for any damage to the structure, person, or any other property incurred from misuse. Please follow the instructions provided with the product or online at www.freshairscreens.com for appropriate usage and care.

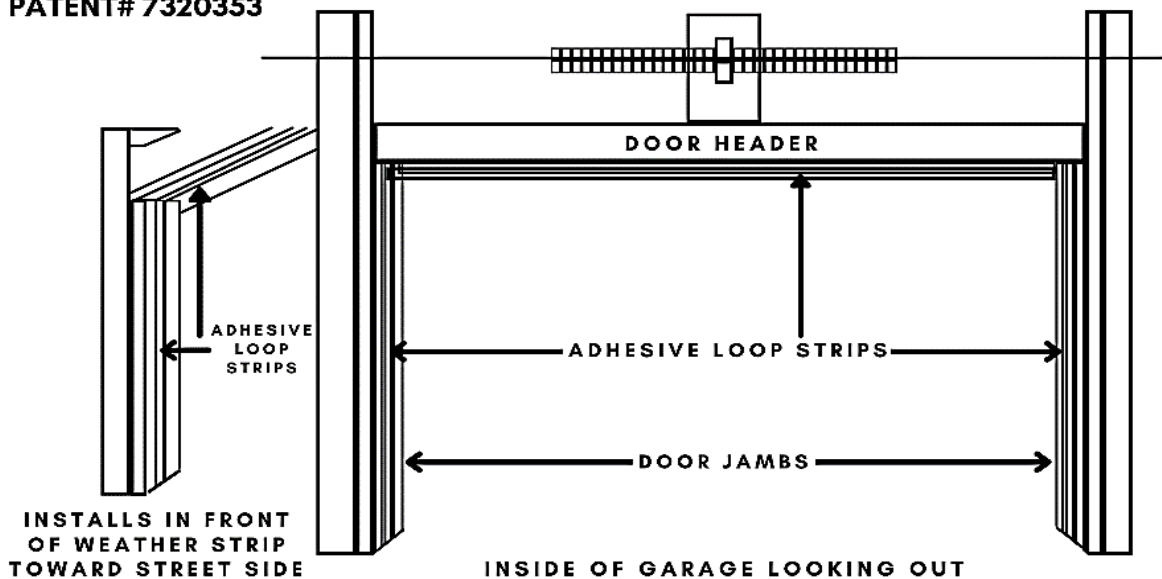
SAFETY DISCLAIMER

FRESH AIR SCREENS ARE NOT DESIGNED TO BE A SECURITY WALL AND WILL NOT PREVENT CHILDREN, ADULTS, OR AGGRESSIVE ANIMALS FROM GETTING IN OR OUT OF THE ENCLOSED AREA.

ROPES INCLUDED IN CERTAIN ACCESSORIES MAY POSE A STRANGULATION HAZARD. FRESH AIR SCREENS OFFERS SCREEN MODELS WITHOUT ROPE ACCESSORIES, AS A SAFER CHOICE FOR SMALL CHILDREN AND ANIMALS. MAY CONTAIN SMALL PARTS. *NEVER LEAVE CHILDREN UNATTENDED.

Installation Instructions

PATENT# 7320353



WHAT YOU WILL NEED:

INCLUDED:

- 1 FRESH AIR SCREEN
- 1 ROLL OF SELF-ADHESIVE LOOP STRIP
- 1 CLEAT

NOT INCLUDED:

- HAMMER
- STEP LADDER
- 5/8" ROOFING NAILS (OPTIONAL)
- 3/4" PIPE (PVC RECOMMENDED) CUT TO THE WIDTH OF THE SCREEN (STEP 5)

Fresh Air Screens are mounted to the frame using a hook and loop (i.e., Velcro) system. For best results, clean any dirt and debris off the frame before applying the adhesive loop strip and allow to dry thoroughly.

These instructions are a guide for mounting screens without or prior to adding a rope and pull kit. To add a rope and pull kit, please see Installation Instructions for Rope and Pull Kits.

STEP 1

Measure the height of the door jambs and the length of the header. Cut the self-adhesive loop roll into three strips equal to those measurements.

STEP 2

Apply the Self-Adhesive Loop.

- Select an adhesive loop strip that was measured and cut for the door jambs in step 1. Align and press to seal the self-adhesive loop strip on one door jamb about 1" in front (street side) of the doorstop/weatherstrip. Repeat this step for the other side.
- Add the last adhesive loop strip to the header, which should line up with the loop strips on both door jambs to create a smooth surface edge.

Recommendation: Apply roofing nails (optional) to the adhesive loop strips for a more permanent hold. **DO NOT PUNCTURE THE SCREEN.** Replacement adhesive loop strips are available for purchase.

STEP 3

Start at an upper corner to attach the screen to the adhesive loop. Align the hook strip (sewn to the screen) to the adhesive loop strip (attached to the garage in step 2) and press firmly to connect the strips. Work your way across the header, then down each side of the frame.

STEP 4

Insert a 3/4" rod into the sewn pouch on the bottom of the screen to maintain position and shape when rolled up.

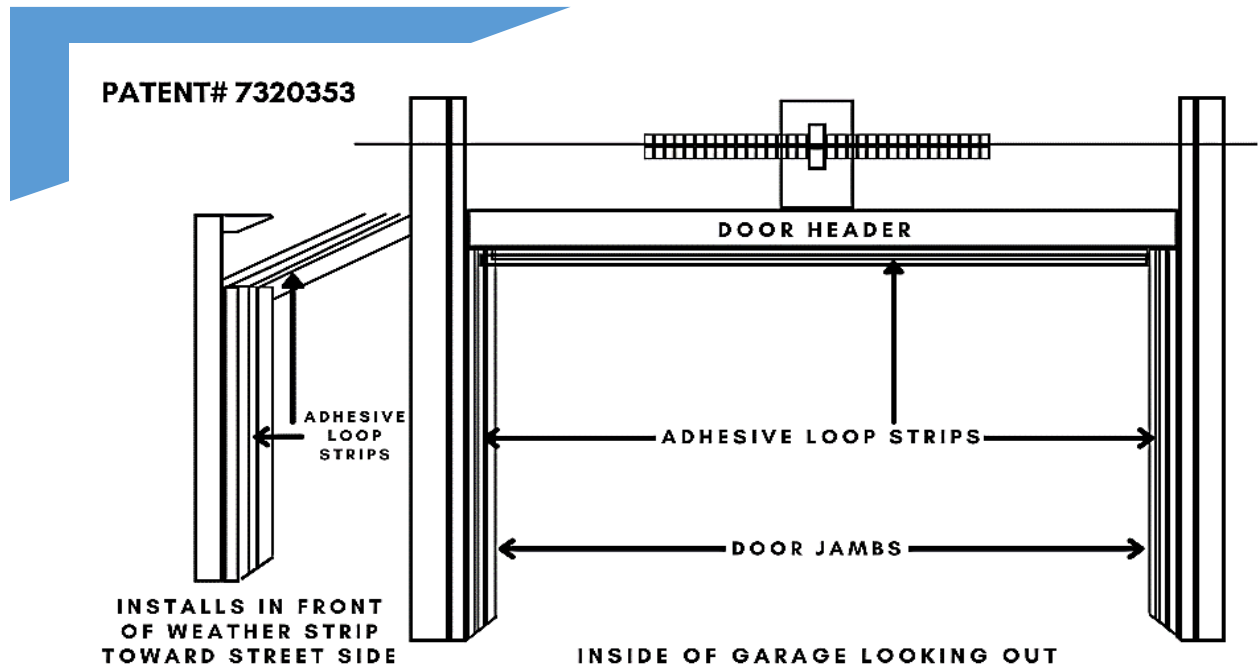
For more information on installation and accessories, please visit www.freshairscreens.com.

Visit www.freshairscreens.com for warranty information. Terms and Conditions apply.

Consumer Warning: This accessory contains ropes which may pose a strangulation hazard for children. This accessory is optional and removeable for child-proofing purposes. Consider using alternative models that do not contain ropes where children are present. Contains small parts. ***Never leave children unattended; keep small parts from children.**

Installation Instructions

ROPE AND PULL KIT FOR MODEL C



WHAT YOU WILL NEED:

INCLUDED:

- MOUNTING BRACKETS (3 IN A SMALL KIT, 4 IN A LARGE KIT)
- EYELETS (4 IN A SMALL KIT, 5 IN A LARGE KIT)
- CORDS (3 IN A SMALL KIT, 4 IN A LARGE KIT | EACH WILL BE IN DIFFERENT LENGTHS)
- WOOD SCREWS (8 IN A SMALL KIT, 10 IN A LARGE KIT)
- 1 CLEAT

NOT INCLUDED:

- PHILIPS SCREWDRIVER
- STEP LADDER

Steps 1-4 is the completion of the Basic Installation (pg. 7-8). To install the Rope and Pull Kit, please continue with step 5(C)

STEP 5(C)

Attach the **cleat**, using the **wood screws**, to the door jamb between the garage door and screen, about 5' high on whichever side you want to pull from.

STEP 6(C)

Install **eye screws**. All eye screws should go into the header on the inside of the screen approximately 1" away.

Eye screw 1 – (Small kit) Place in center of the header (equally centered from both sides of the garage opening. (Large Kit) Place in the header 1/3 the distance from the side furthest from the cleat.

Eye screw 5 – (Large kit only!) Place in the header 1/3 the distance from the side closest to the cleat.

Eye Screw 2- Screw into header 12" from the end of the header *furthest* away from the cleat.

Eye Screw 3- Screw into header 12" from the end of the header *closest* to the cleat.

Eye Screw 4- Place within 6" from same side as cleat.

STEP 7(C)

Attach **brackets** to the header (street side) across from eye screws 1, 2, and 3, (and 5 for large kits)

STEP 8(C)

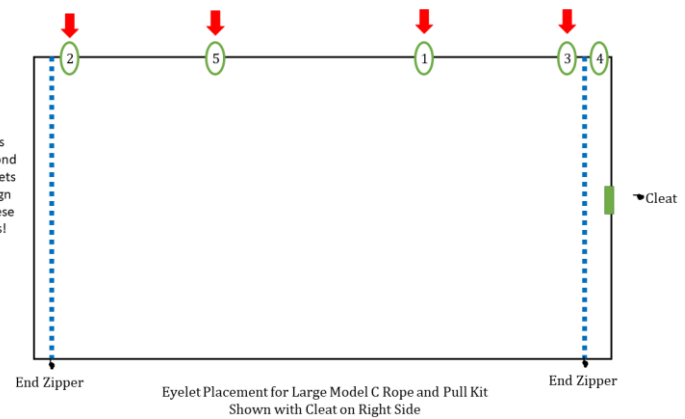
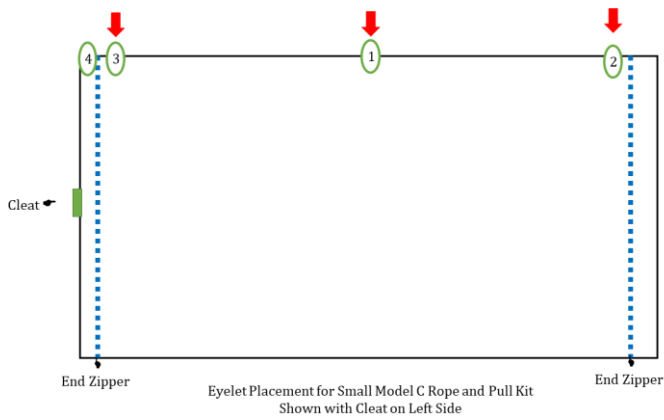
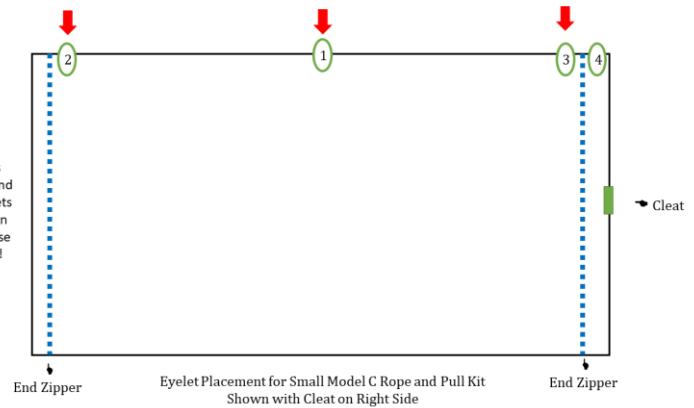
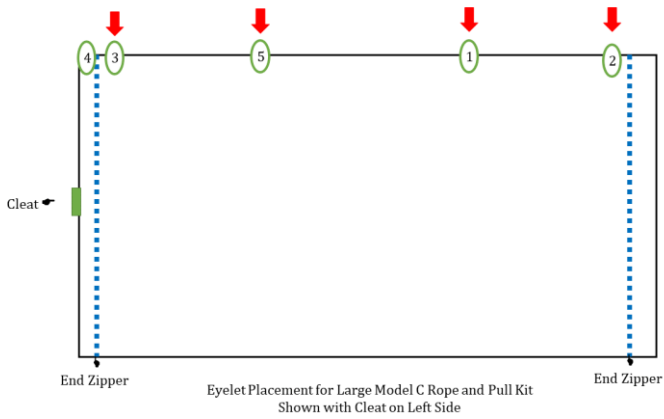
Insert the **cords** accordingly:

Longest Cord- Insert the knotted end into the bracket across from Eye Screw 2. Run the cord down the screen, then back up to Eye Screw 2. Run the cord through Eye Screw 2 and the remaining eyelets, and down to the cleat.

Mid-length Cord- (This will be the second longest cord in a large kit) Insert the knotted end into the bracket across from Eye Screw 1. Run the cord down the screen, then back up to Eye Screw 1. Run the cord through Eye Screw 1 and the remaining eyelets, and down to the cleat.

Mid-length Cord – large kit only- (This will be the next longest cord in a large kit) Insert the knotted end into the bracket across from Eye Screw 5. Run the cord down the screen, then back up to Eye Screw 5. Run the cord through Eye Screw 5 and the remaining eyelets, and down to the cleat.

Shortest Cord- Insert the knotted end into the bracket across from Eye Screw 3. Run the cord down the screen, then back up to Eye Screw 3. Run the cord through Eye Screw 3 and 4, and down to the cleat. With the screen pulled all the way down, tie all 3 cords together about 12" below the cleat and cut off any excess cord.



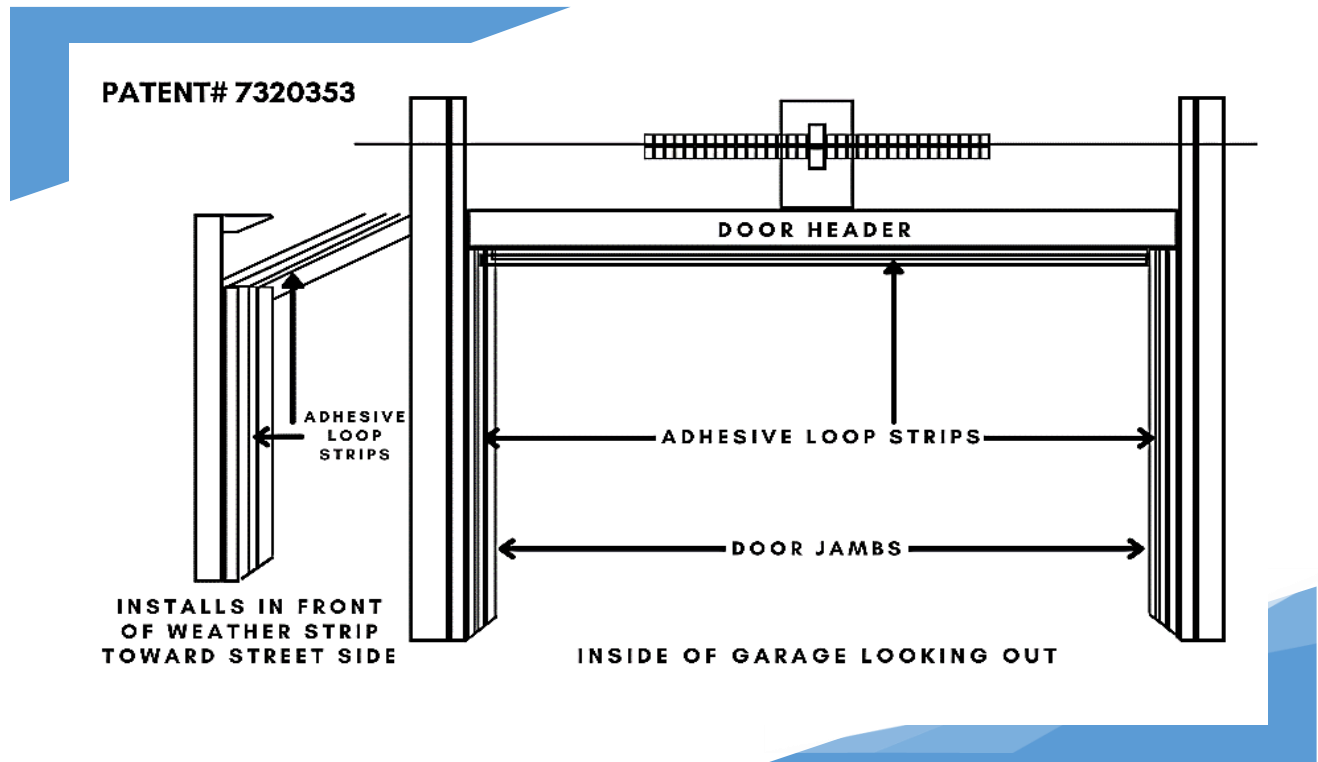
For more information on installation and accessories, please visit www.freshairscreens.com.

Visit www.freshairscreens.com/support for warranty information. Terms and Conditions apply.

Consumer Warning: This accessory contains ropes which may pose a strangulation hazard for children. This accessory is optional and removable for child-proofing purposes. Consider using alternative models that do not contain ropes where children are present. Contains small parts. ***Never leave children unattended; keep small parts from children.**

Installation Instructions

ROPE AND PULL KIT FOR MODEL D



WHAT YOU WILL NEED:

INCLUDED:

- MOUNTING BRACKETS (4 IN A SMALL KIT, 6 IN A LARGE KIT)
- EYELETS (6 IN A SMALL KIT, 8 IN A LARGE KIT)
- CORDS (4 IN A SMALL KIT, 6 IN A LARGE KIT | EACH WILL BE IN DIFFERENT LENGTHS)
- WOOD SCREWS (12 IN A SMALL KIT, 16 IN A LARGE KIT)
- 2 CLEATS

NOT INCLUDED:

- PHILIPS SCREWDRIVER
- STEP LADDER

Steps 1-4 is the completion of the Basic Installation (pg. 7-8). To install the Rope and Pull Kit, please continue with step 5(D)

STEP 5(D)

Attach the **cleat**, using the wood screws, to the door jamb between the garage door and the screen, about 5' high on whichever side you will pull from.

STEP 6(D)

Install **eye screws**. All eye screws should go into the header on the inside of the screen approximately 1" away.

Eye Screw 1&2- Place one on each side, 6" from the center zipper

Eye Screw 7&8 (Large Kit only) Place one on each side of the screen, 1/3 of the length away from each end of the screen.

Eye Screw 3&4- Place one on each side, 12" in from the outside zipper

Eye Screw 5&6- Place one on each side, 6" from the outside zipper

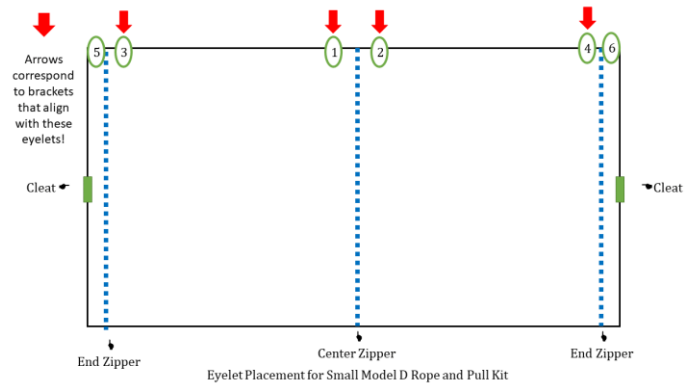
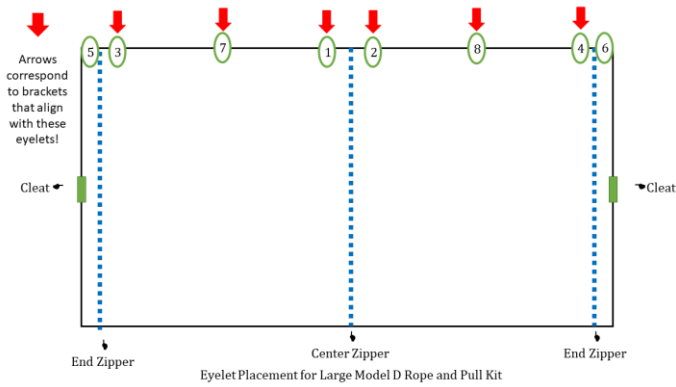
STEP 7(D)

Attach **brackets** to the header (street side) across from eye screws 1, 2, 3, and 4 (also across from eye screws 7 and 8 for large rope and pull kits)

STEP 8(D)

Insert the **cords** accordingly:

- **Long Cord #1-** Insert the knotted end into the bracket across from Eye Screw 1. Run the cord down the screen, then back up to Eye Screw 1. Run the cord through Eye Screws 1, 3, and 5, and down to the cleat.
- **Long Cord #2-** Insert the knotted end into the bracket across from Eye Screw 2. Run the cord down the screen, then back up to Eye Screw 1. Run the cord through Eye Screws 2, 4, &6, and down to the cleat.
 - **(Large Kits only) Mid Cord #1-** Insert the knotted end into the bracket across from Eye Screw 7. Run the cord down the screen, then back up to Eye Screw 7. Run the cord through Eye Screw 3 and 5, and down to the cleat.
- **Mid Cord #2 (large kits only)-** Insert the knotted end into the bracket across from Eye Screw 8. Run the cord down the screen, then back up to Eye Screw 8. Run the cord through Eye Screw 4 and 6, and down to the cleat. With the screen pulled all the way down, tie all cords together about 12" below the cleat and cut off any excess cord. Do for each side.
- **Short Cord #1-** Insert the knotted end into the bracket across from Eye Screw 3. Run the cord down the screen, then back up to Eye Screw 3. Run the cord through Eye Screw 3 and 5, and down to the cleat.
- **Short Cord #2-** Insert the knotted end into the bracket across from Eye Screw 4. Run the cord down the screen, then back up to Eye Screw 4. Run the cord through Eye Screw 4 and 6, and down to the cleat. With the screen pulled all the way down, tie all cords together about 12" below the cleat and cut off any excess cord. Do for each side.



For more information on installation and accessories, please visit www.freshairscreens.com.

Visit www.freshairscreens.com/support for warranty information. Terms and Conditions apply.

Consumer Warning: *This accessory contains ropes which may pose a strangulation hazard for children. This accessory is optional and removable for child-proofing purposes. Consider using alternative models that do not contain ropes where children are present. Contains small parts. ***Never leave children unattended; keep small parts from children.***



Accessories keep your Fresh Air Screen in the perfect condition so you can rest easy. Need to upgrade or replace a part? We've got you covered. You can now order accessories separately.



1.) Adhesive Loop

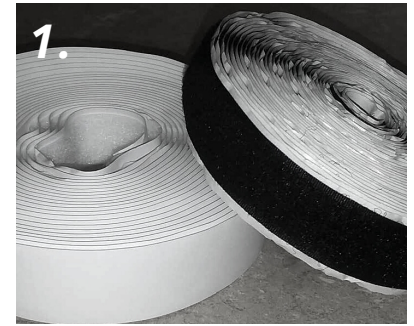
All Fresh Air Screens are installed using a hook and loop system. This non-invasive method allows people to install and remove screens easily without difficult or expensive remodeling projects. The hook side is sewn into the screen, and the pressure-sensitive adhesive loop adheres to the garage frame. Adhesive loop is available in black to match dark frames and white to match light frames. Replacement increments come in 10 and 20 foot rolls so you can order the right amount when you need it.

2.) Rope Kits for Model C

Model C Fresh Air Screens feature two outer zippers that allow the screen to roll up without having to remove the entire unit. You can add a rope and pull kit to your model C at any time, or replace the unit as needed. Kit sizes are available in "Small" and "Large" to cover all of the standard garage screen sizes. See kits for more size information.

3.) Rope Kits for Model D

Model D Fresh Air Screens feature two outer zippers and a center zipper that allow the screen to roll up without having to remove the entire unit. You can add a rope and pull kit to your model D at any time, or replace the unit as needed. Kit sizes are available in "Small" and "Large" to cover all of the standard garage screen sizes. See kits for more size information.



For more information about these replacement parts, please visit www.freshairscreens.com.

Need help installing these accessories? Scan the QR code below to visit our online support center to find installation instructions and tips.



www.freshairscreens.com/support



FREQUENTLY ASKED QUESTIONS

QUESTIONS ABOUT SCREEN PRODUCTS

What Kind of Fresh Air Screen Should I Use? Read "Choosing Your Fresh Air Screen" for more information on package features or visit our online Support Center at www.freshairscreens.com/support

What is the difference between a Vinyl Rod Pocket and a Mesh Rod Pocket? A mesh rod pocket is made from the same fiberglass mesh material as the screen. This lightweight material allows for a more relaxed fit while still maintaining the same dependable function of any other Fresh Air Screen. It also offers more subtle aesthetics compared to its bold counterpart using vinyl. The vinyl rod pocket offers a heavier, solid finish with bold aesthetics.

How Do I Know if My Screen Rolls Up? Roll up screens use zippers to allow the screen to separate from the banding that attaches to the garage frame. In order to create this effect, a screen must have two or more zippers to release the screen from both sides of the frame.

Will this block my garage door?

No. Fresh Air Screens will not interfere with garage mechanisms or other equipment installed on your garage.

QUESTIONS ABOUT ACCESSORIES

What is Adhesive Loop? All Fresh Air Screens attach to the frame using a hook and loop system (i.e. Velcro). The hook side is sewn into the screen during production, and will not need to be replaced. The loop side attaches to the frame by a self-adhesive back, which is pressure sensitive and works well for indoor and outdoor uses.

Why Didn't My Screen Have a Rope and Pull Kit? Retractable screens can feature the rope and pull kit or a set of buckles and straps at the top of your screen. Check the product page to see which style is offered. If you need additional help with ordering, let us know. Our representatives will be happy to help you get the right screen.

Can I Remove My Rope and Pull kit? Yes. Like the screens themselves, the rope and pull kits can be removed. This is especially helpful for families with small children who may want to remove the ropes from within reach. Before you remove your kit, you will want to make sure you have an alternative way to secure the bundle. If your screen was purchased with the buckles and straps, you will already have an alternative system in place.

Can I Add Buckles and Straps Later? No. Buckles and Straps are added to the screen during production. They cannot be added after purchase and are not available for separate purchase as an accessory.

QUESTIONS ABOUT INSTALLATION

Is the Bottom Weighted? All Fresh Air Screens have Rod Pockets built into the screen. They can be made with Vinyl or Fiberglass Mesh. **We do not provide the rod**, however we recommend a 3/4" plastic pipe cut to the width of the screen.

Can the Fresh Air Screen be Mounted on the Inside of the Garage? No. The design allows the screen to be mounted on the header facing the street, to prevent interference with garage mechanisms.

www.freshairscreens.com/faq



Real People | Real Service



Quality Products and Service Guaranteed!

QUESTIONS? OPINIONS!

Can't find your question on the list? Let us know!

We value your opinion! Discover opportunities to share your experience with Fresh Air Screens through our customer service and social media. We welcome opinions, product reviews, and pictures.

CUSTOMER SERVICE

Monday-Friday
8AM-4PM (Eastern Time)

info@freshairscreens.com
www.freshairscreens.com/contact

 [G.PAGE/FRESH-AIR-SCREENS/REVIEW?GM](https://plus.google.com/+FreshAirScreens)

 [WWW.FACEBOOK.COM/FRESHAIRSCREENS](https://www.facebook.com/freshairscreens)

 [WWW.INSTAGRAM.COM/FRESHAIRSCREENSINC](https://www.instagram.com/freshairscreensinc)

 [WWW.TWITTER.COM/FRESHAIRSCREENS](https://www.twitter.com/freshairscreens)

 [WWW.PINTEREST.COM/FRESHAIRSCREENSINC](https://www.pinterest.com/freshairscreensinc)



Limited 14 Day Manufacturer's Warranty

Fresh Air Screens, Inc. warrants all screen products to be free from defects in workmanship and materials under normal use for 14 days from the date of purchase. Warranty coverage includes nylon screen material, mounting hardware and heavy-duty zippers. Return shipping expenses for warranty claims are the responsibility of the customer. Warranty claims must include a copy of the purchase receipt. Claims are replaced or repaired at Fresh Air Screens, Inc.'s discretion. All returned screens must be clean and free of debris, or warranty may not be honored.

Warranty Exclusions

Screens damaged by a sharp object.
Screens damaged by a vehicle.
Screens damaged by forced entry.
Screens damaged by aggressive animals.
Custom or altered screens.
Hook and Loop material.*