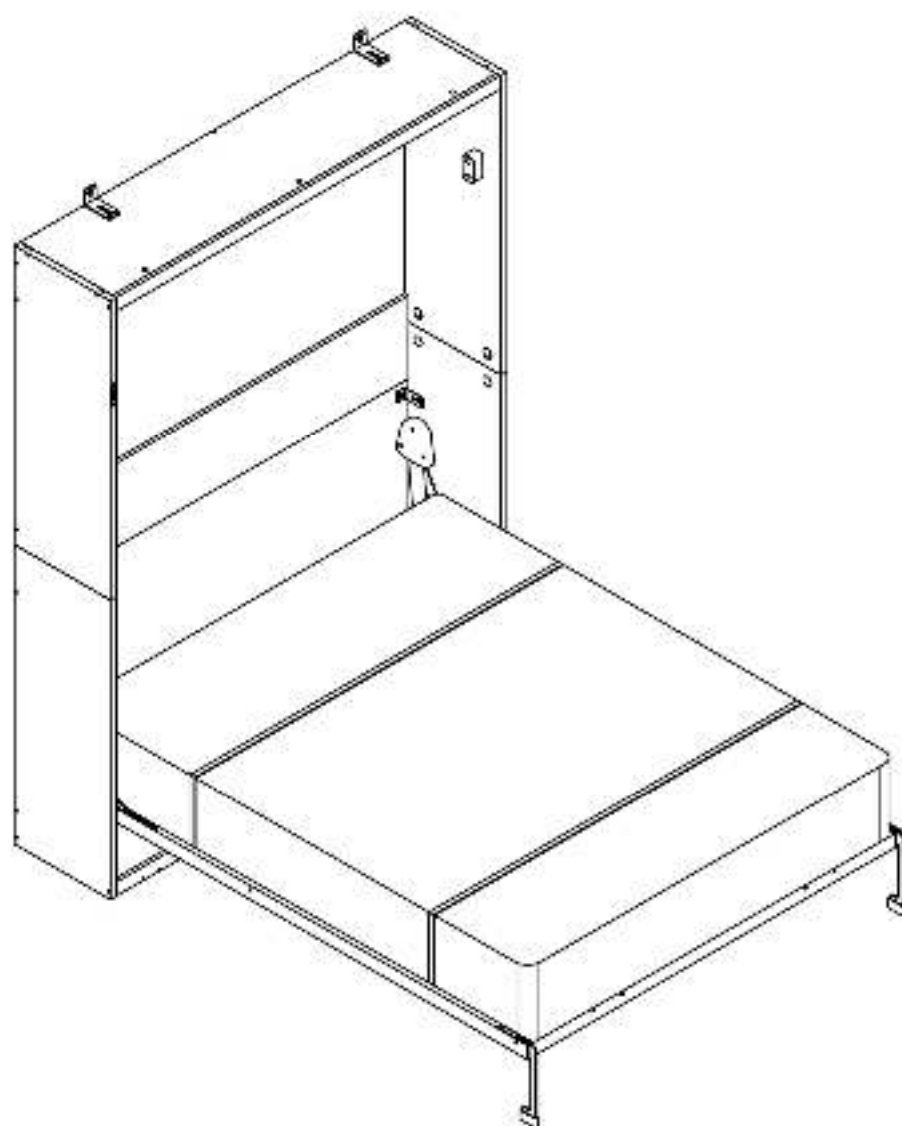
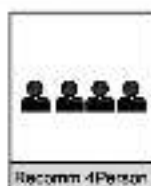
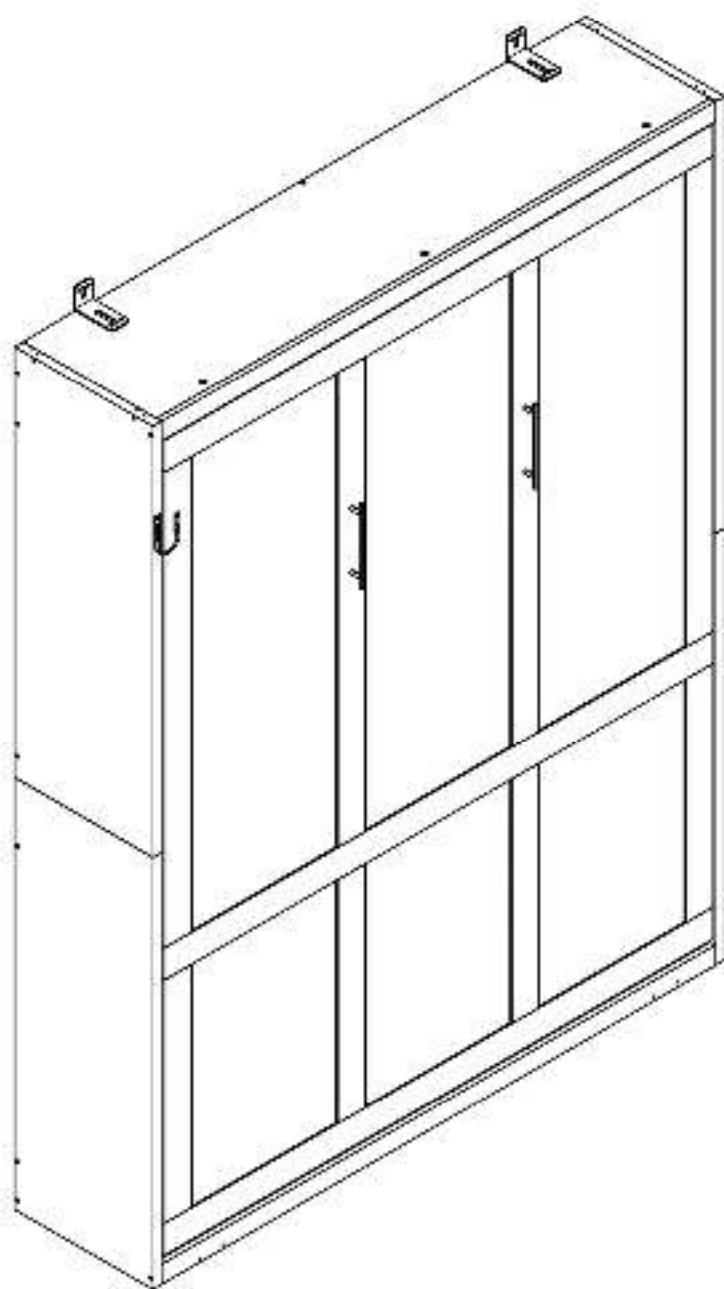


# Murphy bed

## Installation product manual



# *Assembly Instruction*



Recomm 4Person



Tools Required



Tools Required



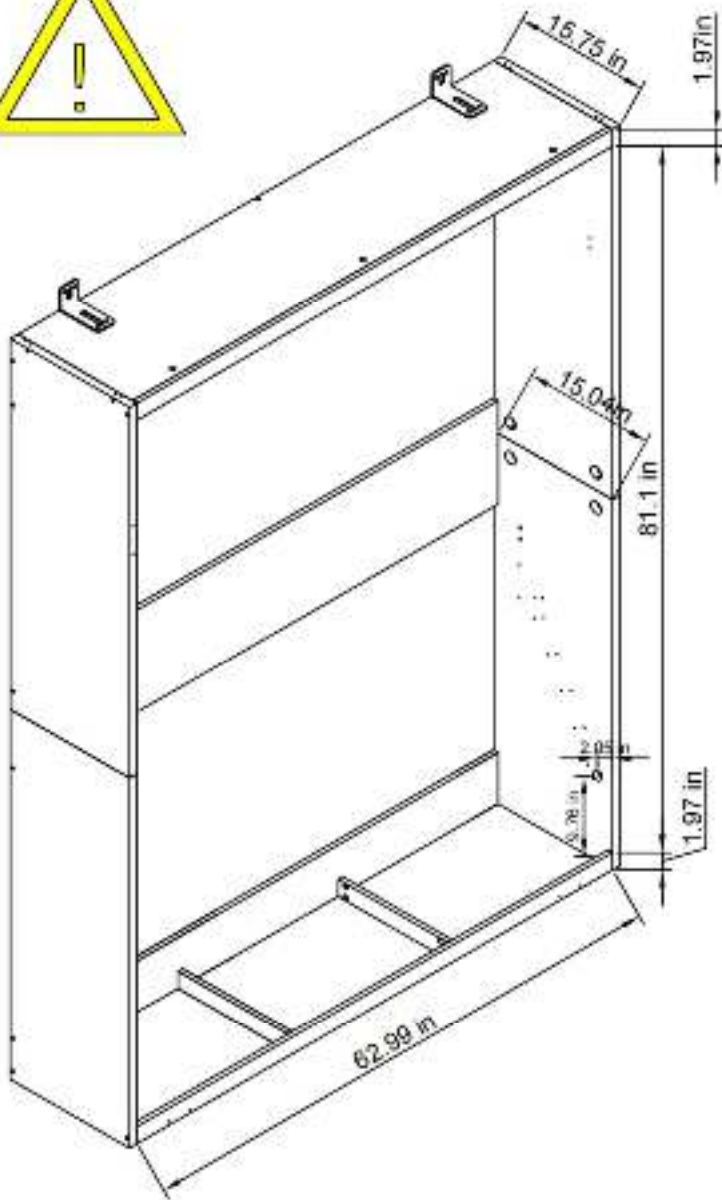
Tools Required



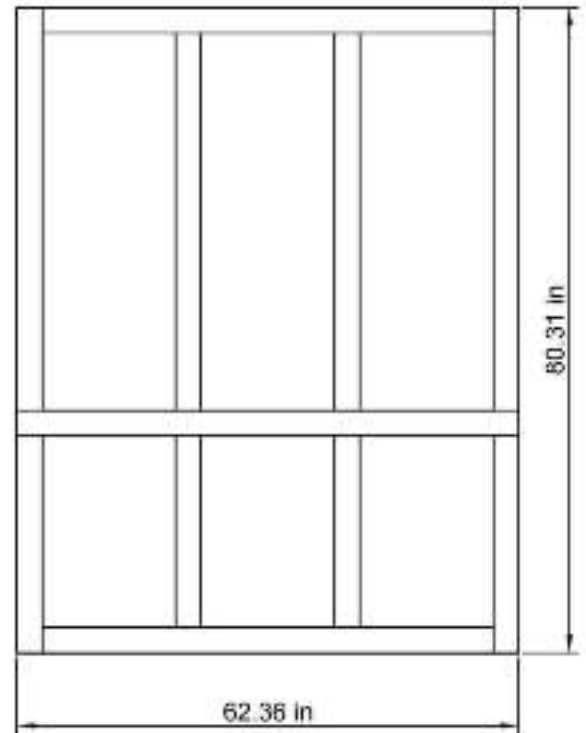
Tools Required



Please read the manual carefully



Decorative door panel:  
W62.36xD0.591xH80.31 inches



If you choose to DIY the cabinet when just bought our murphy bed hardware kit, Please pay attention to the following keys for cabinet

dimension datas and requirements:

1. The internal dimensions of cabinet should be accurate reserved to:

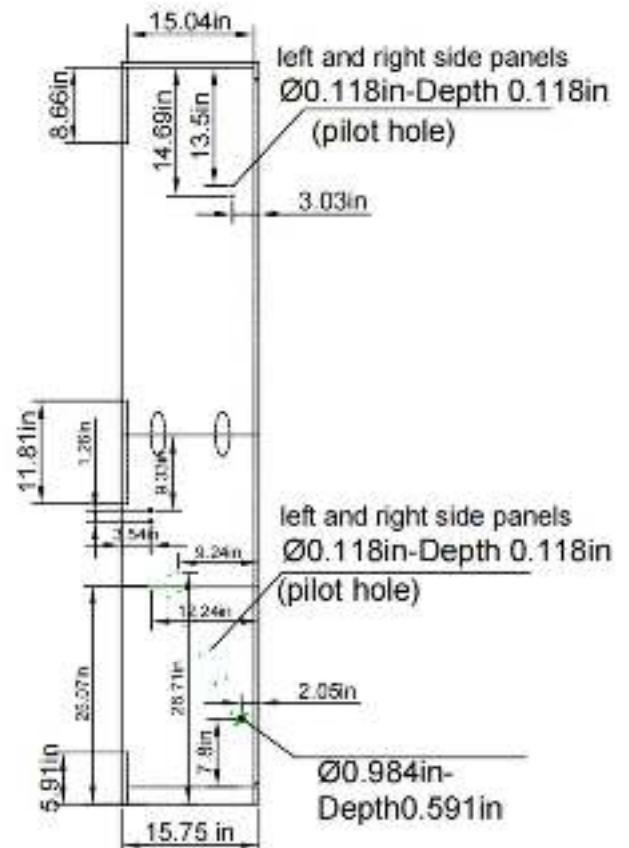
W62.99xD14.961xH81.102 inches;

2. The total dimension of cabinet door panel (divided into 3-4 pieces to be made):

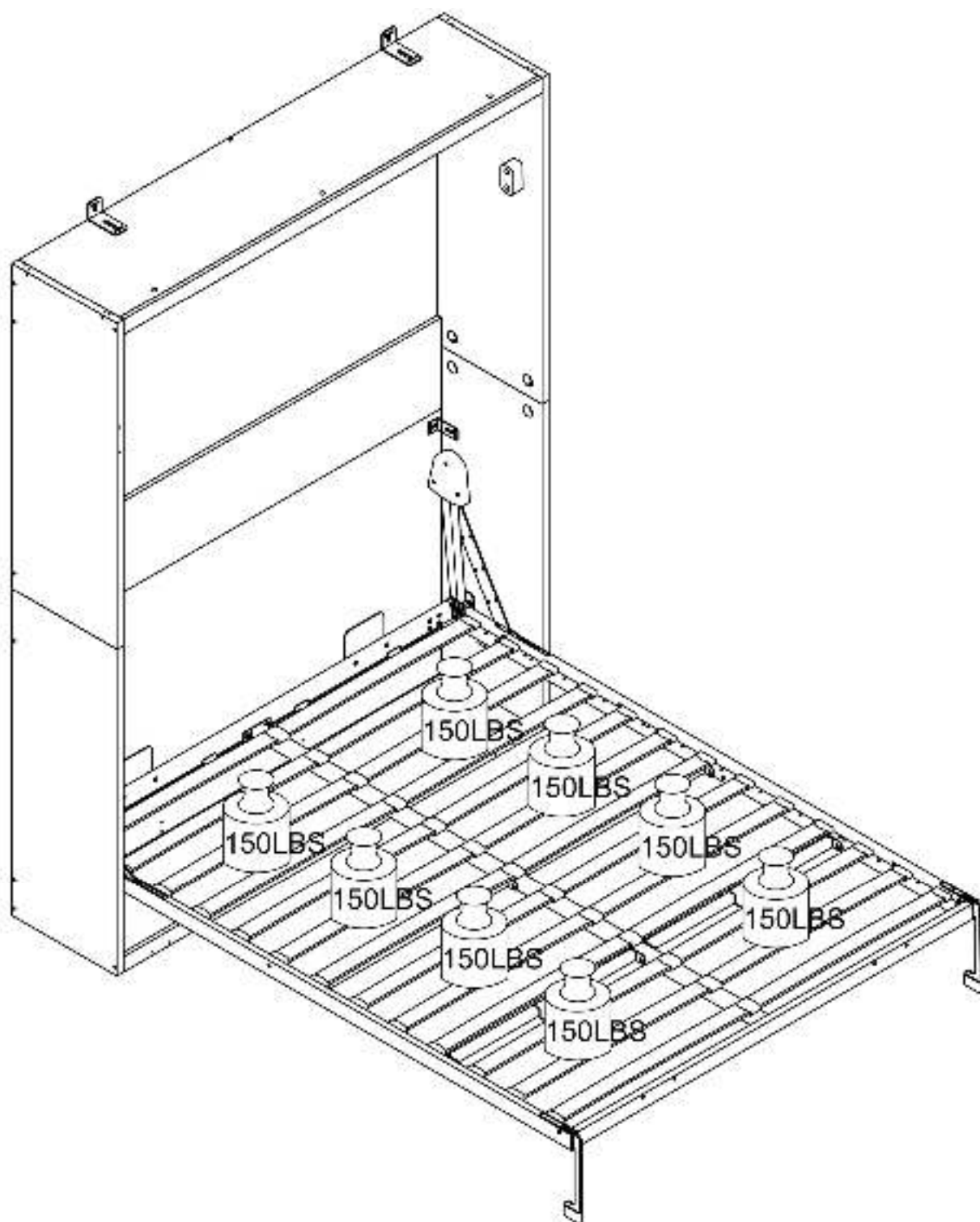
W62.36xD0.591xH80.31 inches;

3. The baseboard height which from the ground to inside cabinet: 1.97 inches;

The cabinet must be fixed to the wall using the matched corner brackets and expansion screws.



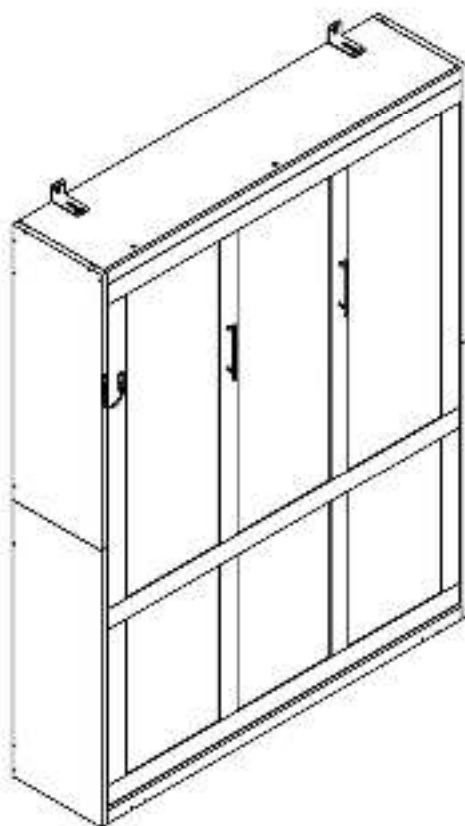
The maximum width of the mattress that the bed frame will fit is 60inch, the maximum length is 80inch, and the maximum thickness is 10inch. Suggested Mattress Size: Queen, Suggested Mattres Thickness: 8inch. (please note that the mattress weight less than 80lbs may cause the feet of the bed frame are off the ground)





## WARNING

### Recommended Maximum Weight



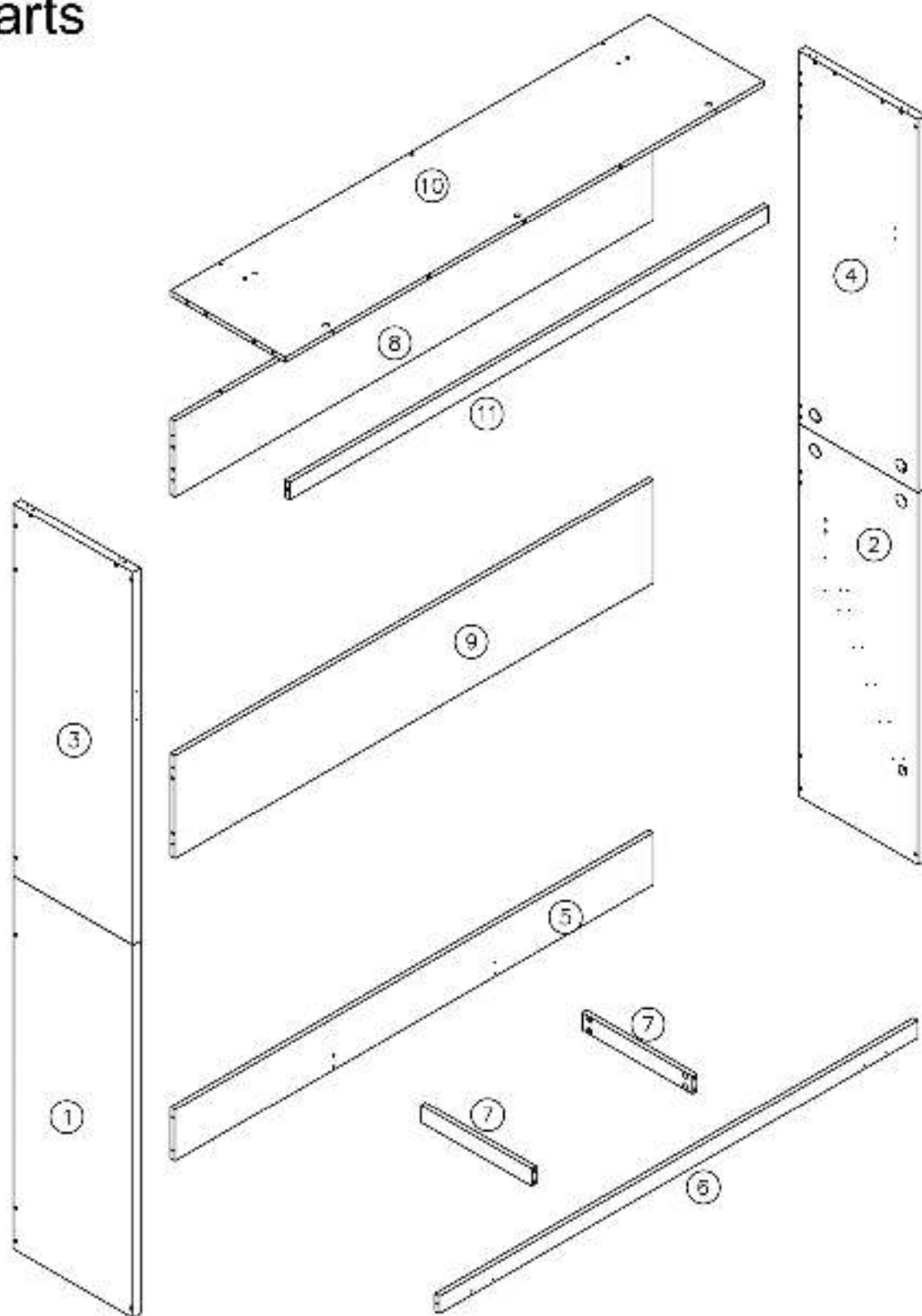
### **Read all instructions before using this product.**

1. This unit has been designed to support the maximum loads shown. Exceeding these load limits could cause sagging, instability, product collapse, and/or serious injury.
2. Avoid sharp objects and corrosive chemicals to prevent damage to the product or bodily injury.
3. Not intended for use in humid environment to prevent mildew, such as bathrooms, laundry areas and similar indoor locations. Do not use outdoors.
4. Don't allow anybody stand or climb on the unit. Serious or fatal crushing injuries can occur from furniture tip over. To prevent tip over this furniture must be used with the wall attachment devices provided.

### **Useful Hints before you start:**

1. Place soft packaging material on the floor to protect surface of product during assembly work.
2. It is important that each step is performed in correct order to avoid difficulties.
3. Align all screws with corresponding pre-drilled holes first and tighten.
4. Screws may become loose during long-term use, retighten them to ensure stability and security.
5. Using incompatible hardware might cause damage to product.

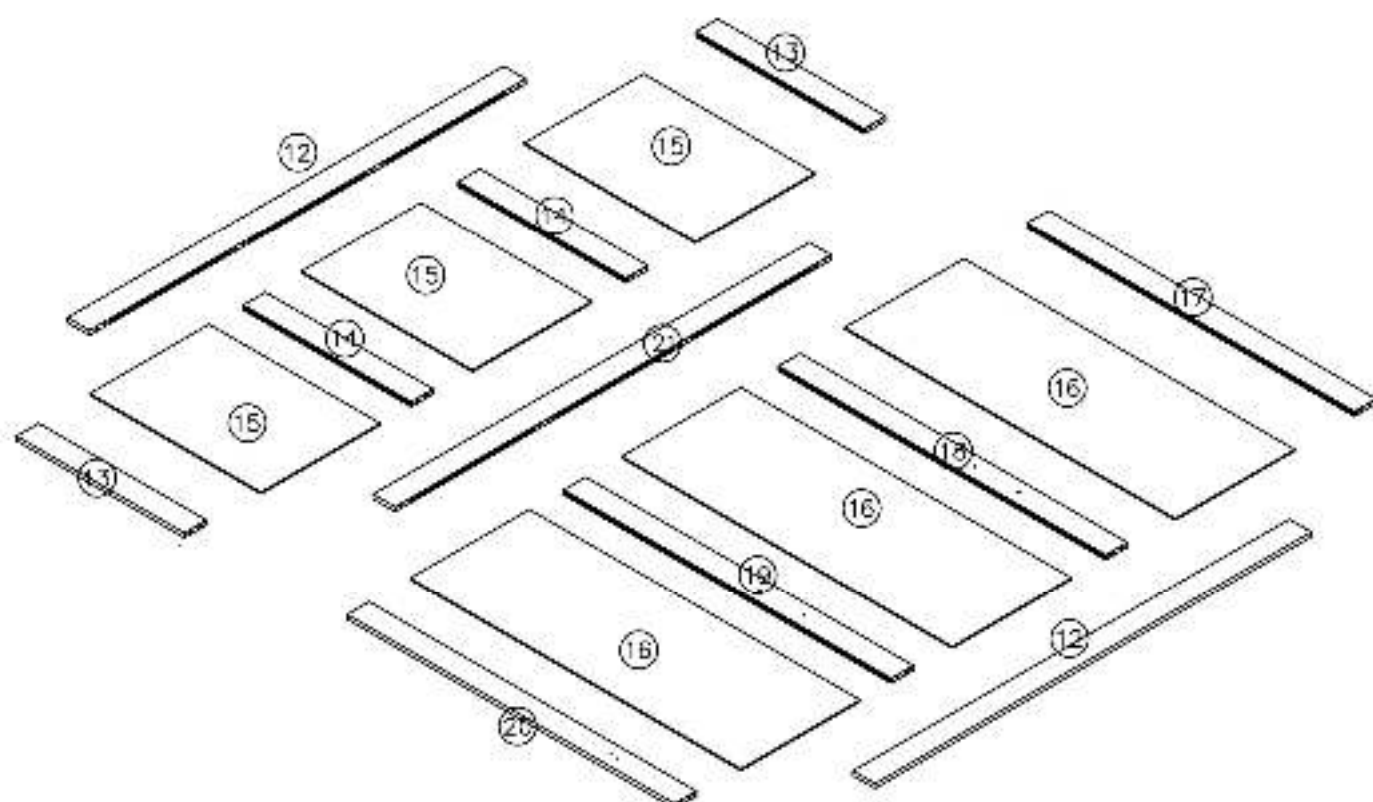
# parts



## WARNING:

To avoid causing unnecessary troubles,  
Please check whether the components with corresponding  
numbers are installed correctly according to the diagram.

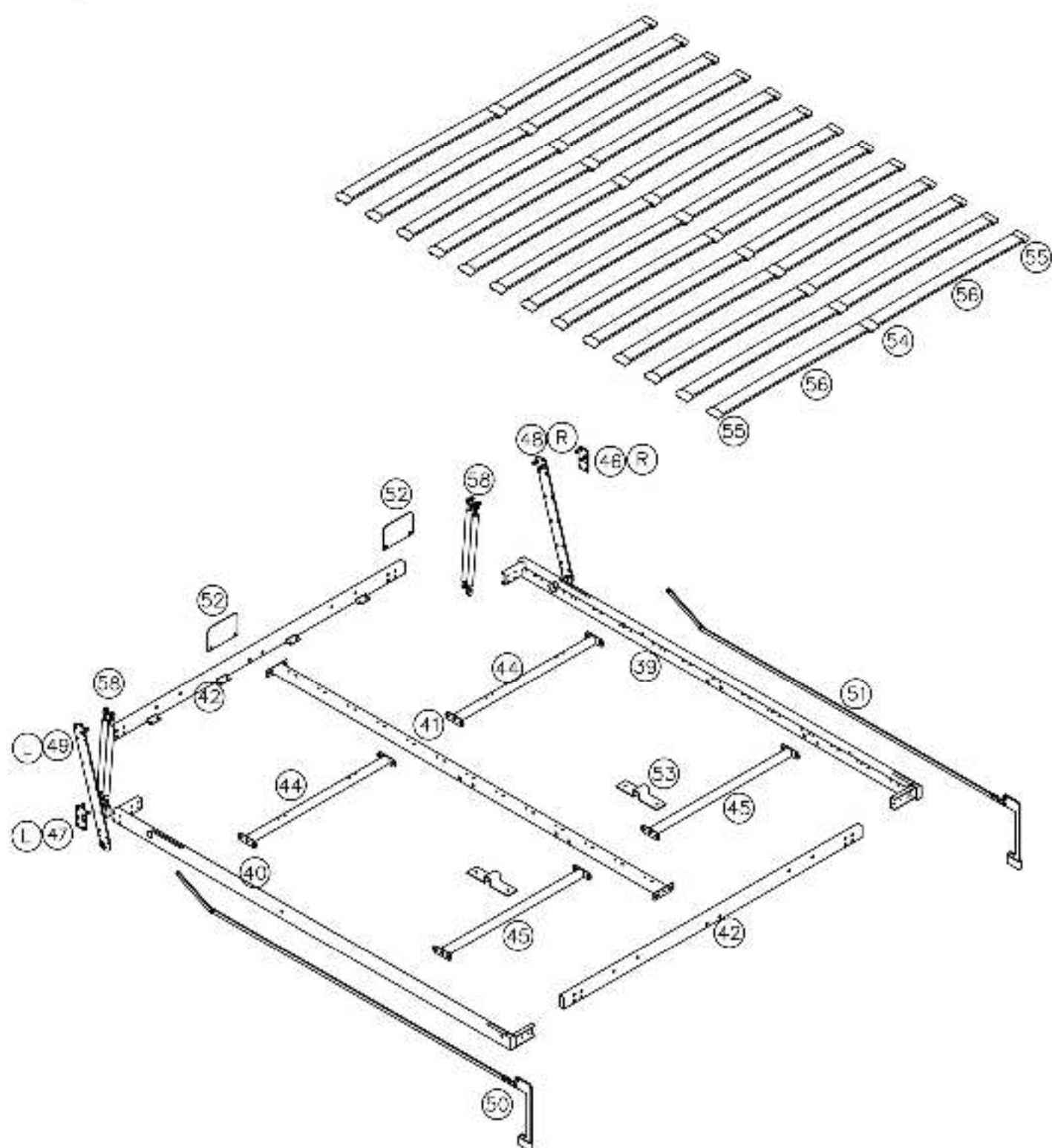
# parts



## **WARNING:**

To avoid causing unnecessary troubles,  
Please check whether the components with corresponding  
numbers are installed correctly according to the diagram.

# parts

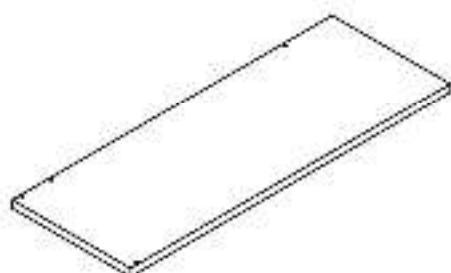


## WARNING:

To avoid causing unnecessary troubles,  
Please check whether the components with corresponding  
numbers are installed correctly according to the diagram.

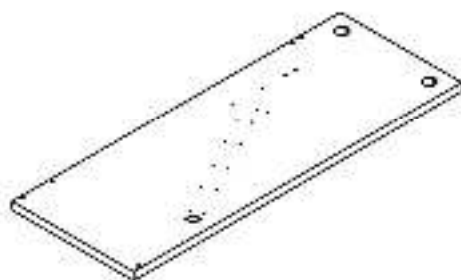
# BOX: W5290P457916

①



1080X400X25=1PC

②



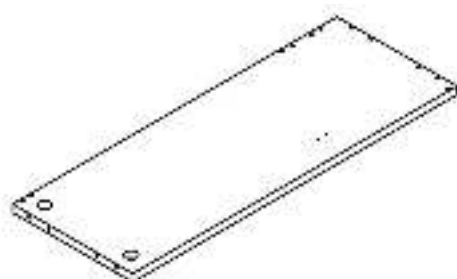
1080X400X25=1PC

③



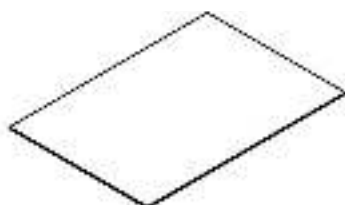
1080X400X25=1PC

④



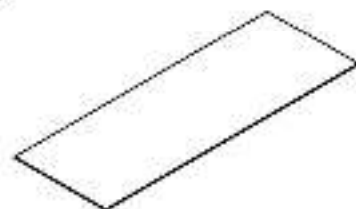
1080X400X25=1PC

⑮



622X434X5=3PCS

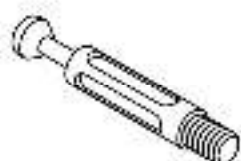
⑯



1202X434X5=3PCS

# BOX: W5290P457916

(A)



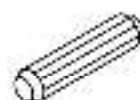
$\Phi 7 \times 32 = 27 + 2 \text{PCS}$

(B)



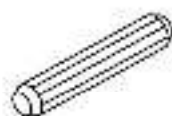
$\Phi 15 \times 11.5 = 27 + 2 \text{PCS}$

(C1)



$\Phi 8 \times 30 = 32 + 2 \text{PCS}$

(C2)



$\Phi 8 \times 50 = 4 \text{PCS}$

(C1)



$\Phi 7 \times 40 = 3 \text{PCS}$

(C2)



$\Phi 7 \times 60 = 20 + 1 \text{PCS}$

(E1)



$= 2 \text{PCS}$

(E2)



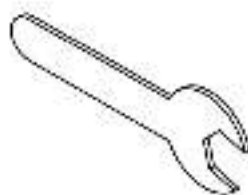
$= 4 \text{PCS}$

(F)



$= 1 \text{PC}$

(K)



$2 \text{PCS}$

(G1)



$M8 \times 100 = 4 \text{PCS}$

(C2)



$= 8 \text{PCS}$

(G3)



$M8 = 8 \text{PCS}$

(G4)



$\Phi 35 = 8 \text{PCS}$

(H1)



$= 1 \text{PC}$

# BOX:W5290P457897

⑤



1600X150X15=1PC

⑥



1600X50X15=1PC

⑦



369X50X15=2PCS

⑧



1600X220X15=1PC

⑨



1600X300X15=1PC

⑩



1600X385X15=1PC

⑪



1600X50X15=1PC

⑫



1586X80X15=2PCS

⑬



610X80X15=2PCS

⑭



610X80X15=2PCS

⑰



1190X80X15=1PC

⑱



1190X80X15=1PC

⑲



1190X80X15=1PC

⑳




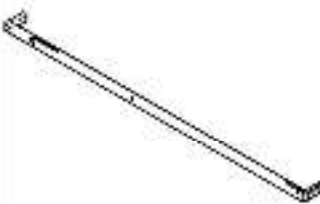






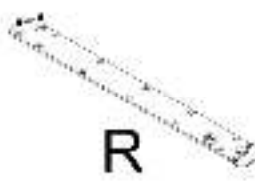
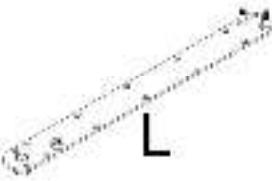




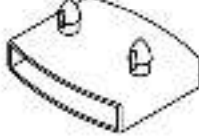







1190X80X15=1PC

㉑

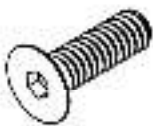


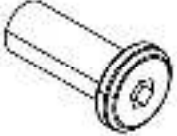


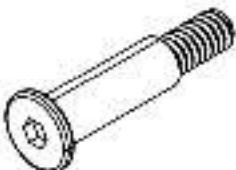
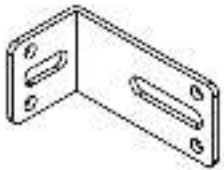



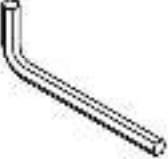






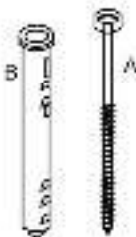


1586X80X15=1PC

# BOX: W5290P457894

<p>39</p>  <p>2040X125X50=1PC</p>	<p>40</p>  <p>2040X125X50=1PC</p>	<p>41</p>  <p>1666X100X30=1PC</p>	<p>42</p>  <p>1535X50X49=2PCS</p>	
<p>44</p>  <p>773X100X30=2PCS</p>	<p>45</p>  <p>773X100X30=2PCS</p>	<p>46 (R)</p>  <p>R</p> <p>93X45X33=1PC</p>	<p>47 (L)</p>  <p>L</p> <p>93X45X33=1PC</p>	<p>48 (R)</p>  <p>R</p> <p>500X50X33=1PC</p>
<p>49 (L)</p>  <p>L</p> <p>500X50X33=1PC</p>	<p>50</p>  <p>L</p> <p>1933X258X14=1PC</p>	<p>51</p>  <p>R</p> <p>1933X258X14=1PC</p>		
<p>52</p>  <p>150X100X2.5=2PCS</p>	<p>53</p>  <p>206X50X33=2PCS</p>	<p>54</p>  <p>57X48X26.5=13PCS</p>	<p>55</p>  <p>57X29X27=26PCS</p>	<p>56</p>  <p>750X52X5=26PCS</p>
<p>57</p>  <p>144X123X33=2PCS</p>	<p>58</p>  <p>905X22=4PCS</p>	<p>59</p>  <p>M12X45=2PCS</p>	<p>60</p>  <p>Φ12X24X1.5=2PCS</p>	<p>61</p>  <p>7.8XM6X16=2PCS</p>

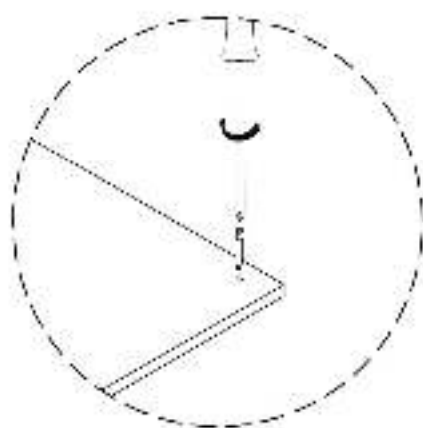
# BOX: W5290P457894

<p>62</p>  <p>M6X20=8PCS</p>	<p>63</p>  <p>M6X20=13PCS</p>	<p>64</p>  <p>M8X20=37PCS</p>	<p>65</p>  <p>M6X20X4B=4PCS</p>
<p>66</p>  <p>M6=2PCS</p>	<p>67</p>  <p>M6=8PCS</p>	<p>68</p>  <p>7.6XMMX35=2PCS</p>	<p>69</p>  <p>9BX4BX4B=4PCS</p>
<p>70</p>  <p>50X20X2B=2PCS</p>	<p>71</p>  <p>8X100=4PCS</p>	<p>72</p>  <p>4MM=1PC</p>	<p>73</p>  <p>6MM=1PC</p>
<p>74</p>  <p>M4X16=16+1PCS</p>	<p>75</p>  <p>M4X42=24+2PCS</p>	<p>76</p>  <p>M10=1PC</p>	<p>77</p>  <p>M4X20=26+2PCS</p>
<p>78</p>  <p>M4X36=10+1PCS</p>	<p>79</p>  <p>=2PCS</p>	<p>80</p>  <p>8X100=4PCS</p>	

## Using Camlocks(Single head cam)

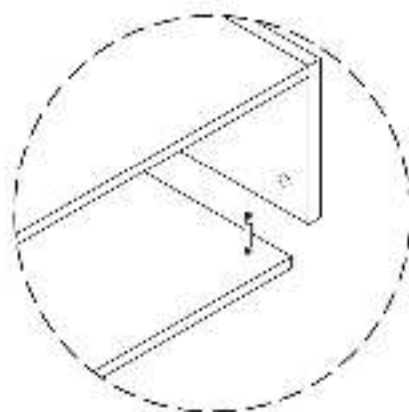
### STEP1

Connect the male camlock as directed in the assembly instructions using a screwdriver.



### STEP2

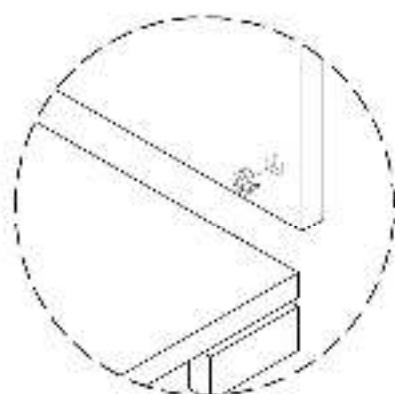
Push the male camlock into the entry hole.



### STEP3

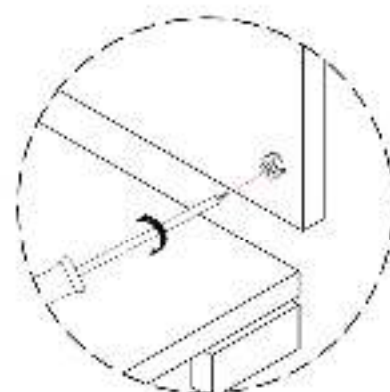
Insert the female camlock as shown in the instruction.

Note: ensure that the arrow on the top of the camlock points towards the entry hole for the male camlock.



### STEP4

Turn the female camlock 180 degrees clockwise with a screwdriver to complete the locking.

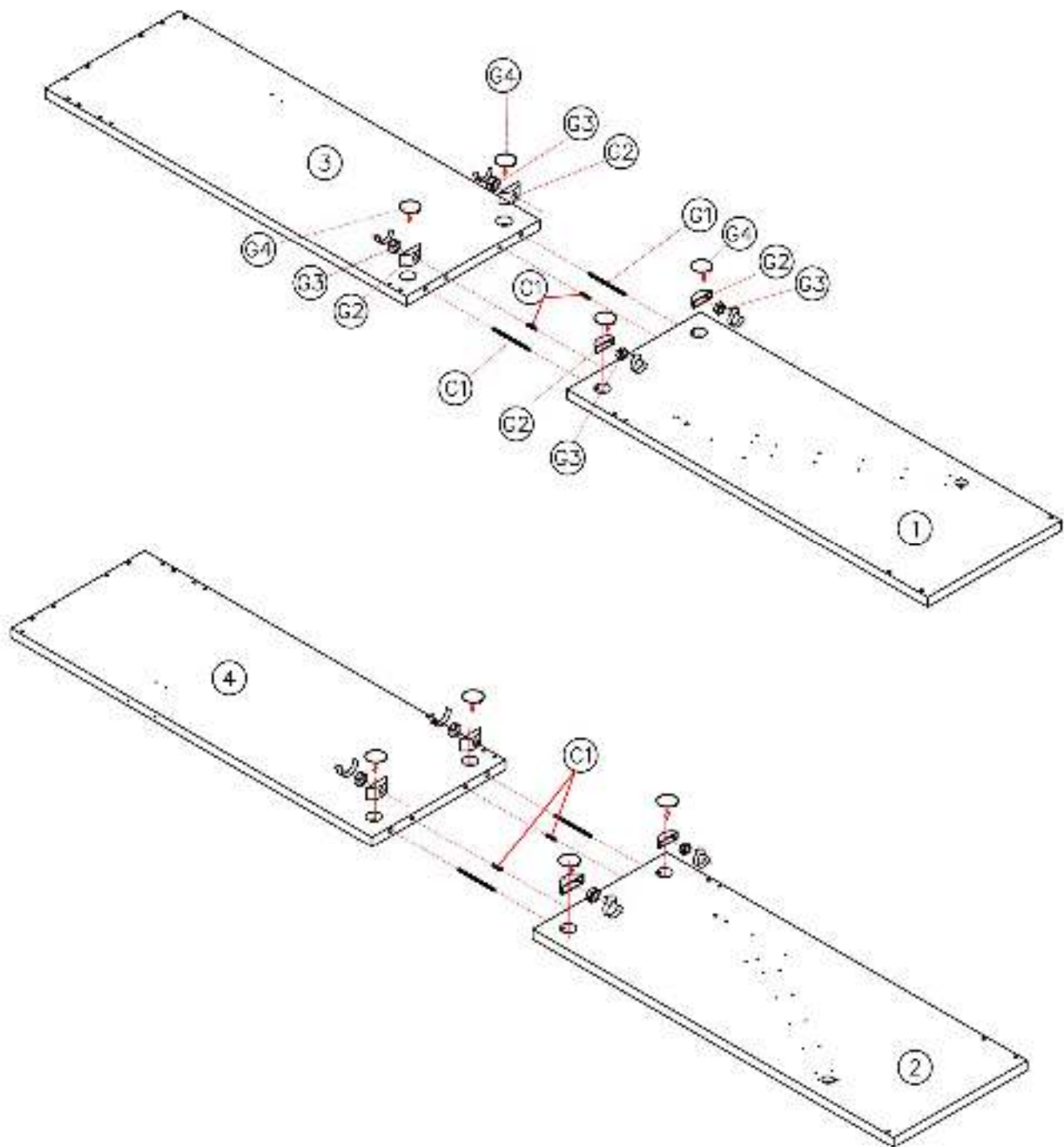


# STEP 1

## ATTENTION:

This step involves similar panel components. To prevent assembly errors, please carefully verify the positional relationship of the hole positions in the enlarged diagram.

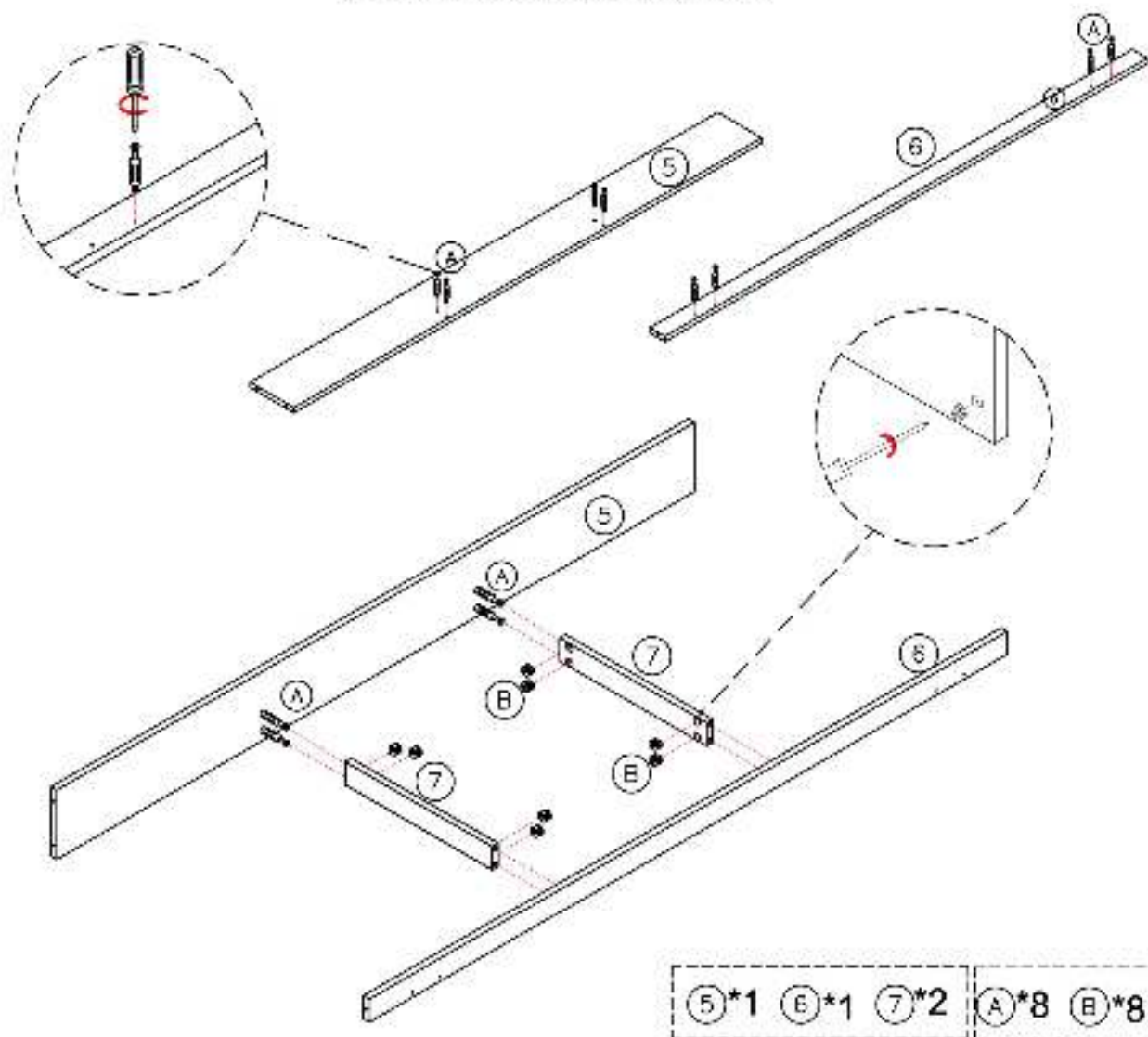
Also make sure that 1# attaches to 3#, and 2# attaches 4#.



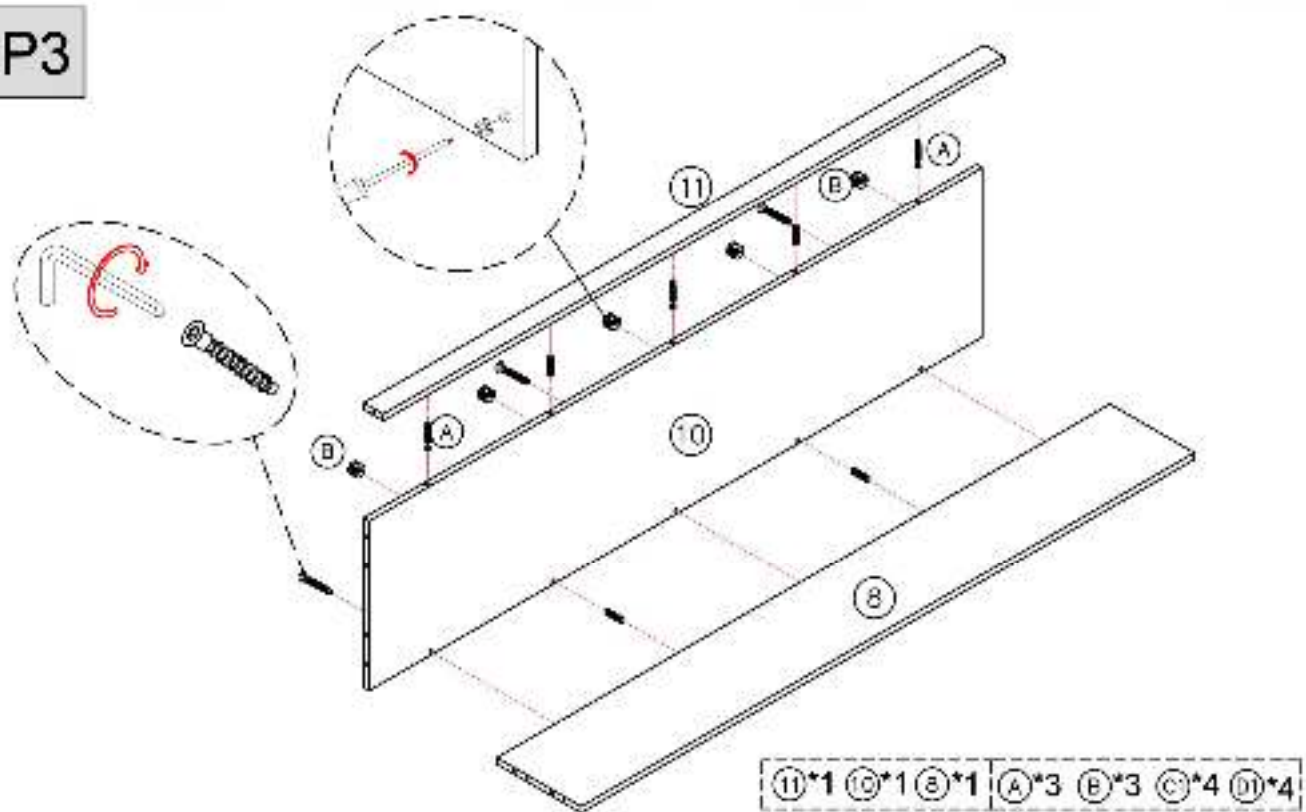
- |     |     |     |     |      |      |      |      |      |
|-----|-----|-----|-----|------|------|------|------|------|
| ①*1 | ②*1 | ③*1 | ④*1 | C1*4 | G1*4 | G2*8 | G3*8 | G4*8 |
|-----|-----|-----|-----|------|------|------|------|------|

## STEP 2

Tools Required



## STEP 3



## STEP4

Tools used

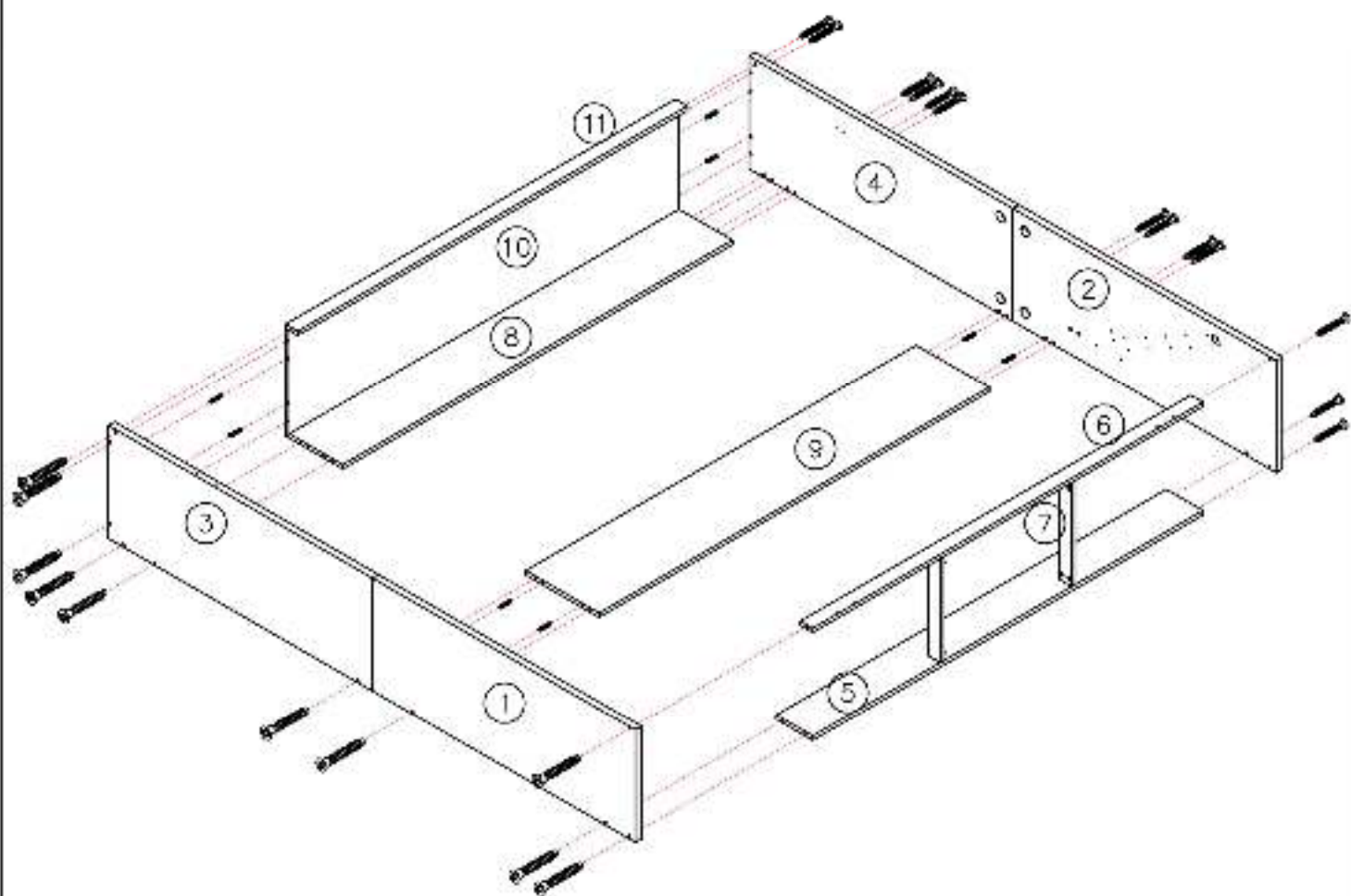


### ATTENTION:

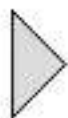
There are quite a few components to be installed in this step.

Please pay attention to checking whether all components are complete!

Put them together in the right position before fastening the screws!!



⑨\*1    ①\*8    ②\*18    ④\*1



# M WALL ANCHORING REQUIREMENTS & INSTALLATION RECOMMENDATIONS

Important information to read before starting the assembly.  
Keep this information for future reference.



## IMPORTANT WARNINGS

**Risk of serious injuries if the wall bed tips over.** To prevent wall bed from tipping over, mount it permanently to the wall. Only a qualified person<sup>2</sup> must carry out the installation and any possible adjustment of the wall bed (including disassembly). If the wall bed is not firmly mounted (anchored) to the wall, it might tip over and cause serious injuries to the installer, users of the bed as well as the people near the bed. The choice of wall anchoring depends on the type of wall. Use wall anchors suitable for the wall material.

Qualified person, it is necessary to have a good understanding of the wall structure where the bed is anchored, including the positioning of the wall studs and structural components in the case of a wood or metal structure. If you do not have the necessary skills, make sure that the wall anchoring is done by someone who has the qualifications and required knowledge. When you choose the installer, make sure to comply with applicable regulations in the province, state or country where the furniture is installed.



## IMPORTANT WARNINGS

### INSTALLATION AND APPROPRIATE HARDWARE

Using appropriate hardware, all the anchor screws of the wall bed must be firmly secured to the wood or metal studs, the structural components, or a masonry wall.

Only wall anchor screws for wood-frame walls are provided with this bed.

### NEVER USE DRYWALL ANCHOR SCREWS OR SECURE THE BED TO DRYWALL

See wall anchoring requirements and installation notes provided in the instruction manual, according to the type of wall, and use the appropriate anchors such as described in this manual.

### NUMBER OF SCREWS NEEDED

Two (2) screws are required for each anchor point. Four (4) wall anchor points are necessary for the proper installation of the wall bed. So you need a total of eight (8) wall anchor screws.

**THE SCREWS MUST BE VERY WELL ANCHORED TO THE STRUCTURAL COMPONENTS OF THE WALL.**

<sup>2</sup>A CERTIFIED CONSTRUCTION PROFESSIONAL IN COMPLIANCE WITH APPLICABLE REGULATIONS IN THE PROVINCE, STATE OR COUNTRY WHERE THE FURNITURE IS INSTALLED.

# ⚠️ SAFETY FIRST: WALL ANCHORING IS NON-NEGOTIABLE

MURPHY BEDS MUST BE SECURELY ANCHORED TO STRUCTURAL MEMBERS. NEVER MOUNT SOLELY TO DRYWALL. IMPROPER INSTALLATION CAN CAUSE SERIOUS INJURY OR DEATH.

## ⊘ ABSOLUTELY FORBIDDEN HARDWARE



PLASTIC ANCHORS - WILL FAIL

### A. WOOD STUD WALL

#### HOW TO IDENTIFY



KNOCK ON A HOLLOW WALL

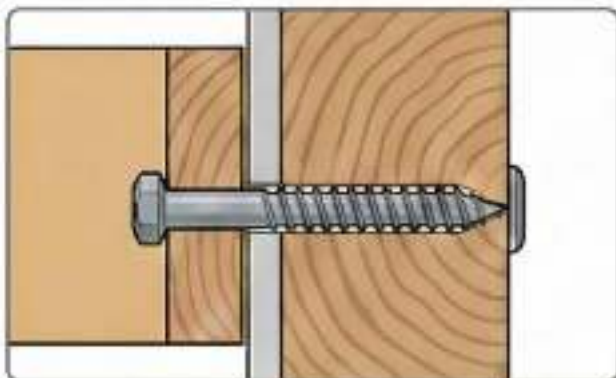
STUD FINDER TOOL (WITS)

STUDS SPACED IS 16" STUD

#### REQUIRED HARDWARE



HEAVY-DUTY SCREWS (MIN. 5/32" DIA., 2.5" LONG)



MUST PENETRATE WOOD STUD CENTER AT LEAST 2.5"

### B. MASONRY/CONCRETE WALL

#### HOW TO IDENTIFY



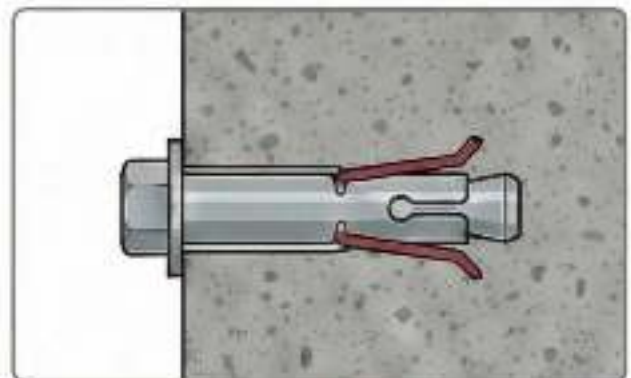
KNOCK ON A SOLID WALL

DRILL BIT CREATES GREY/RED DUST

#### REQUIRED HARDWARE



ALL-METAL EXPANSION BOLTS (MIN. 5/32" DIA., 2.5" LONG)

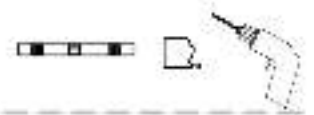


CLEAN HOLE OF DUST. **DO NOT** USE PLASTIC.

## ✓ FINAL SAFETY CHECKLIST

- ✓ VERIFY STUD CENTER BEFORE DRILLING
- ✓ ENSURE FLUSH WALL FIT (ADJUST BASEBOARD)
- ✓ PERFORM PULL TEST BEFORE MATTRESS LOAD
- ✓ AVOID HIDDEN WIRES/PIPES BEFORE DRILLING
- ✓ REGULARLY INSPECT AND MAINTAIN WALL ANCHORS
- ✓ CONSULT A PROFESSIONAL FOR WALL ASSESSMENT AND OPTIMAL HARDWARE; CUSTOMER ASSUMES ALL INSTALLATION LIABILITY

## STEP 5



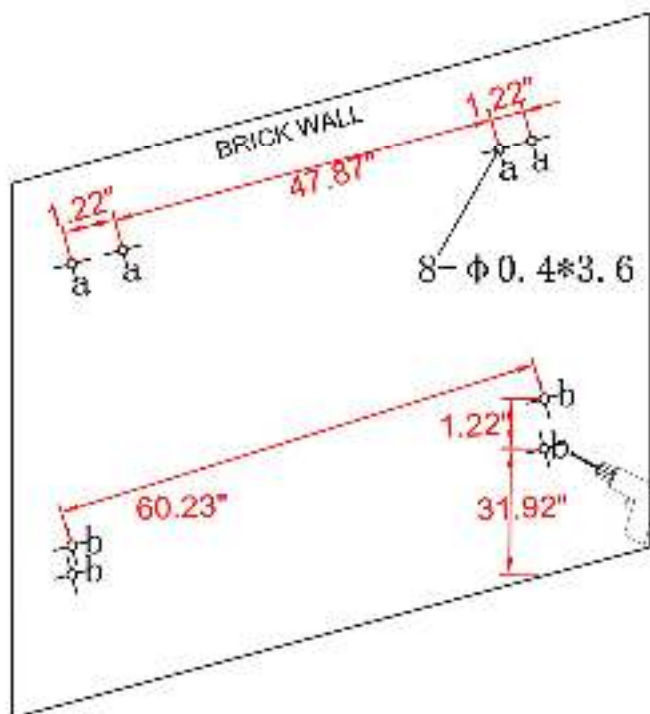
Tools Required



### **M WARNING:**

There is a risk of serious injury due to the wall-mounted bed tipping over.

To prevent the wall-mounted bed from tipping over, it must be permanently secured to a brick wall. If the wall structure is not masonry, qualified professionals are required to perform the wall anchoring.

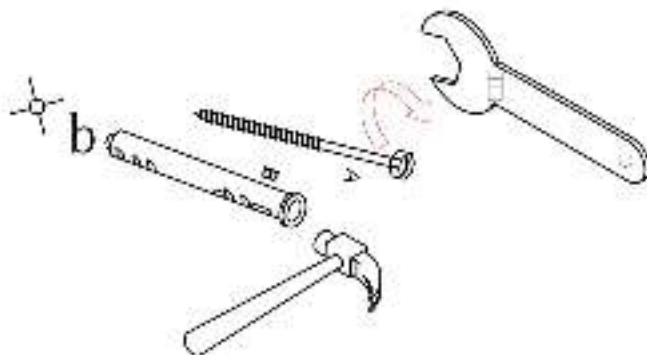
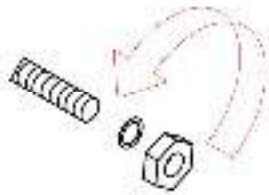
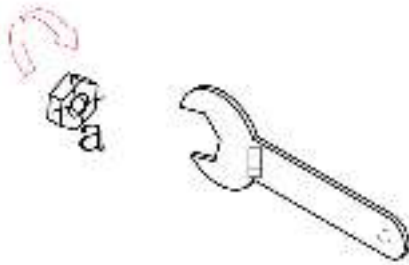
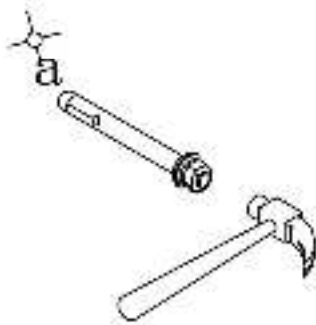


1. Use a marker pen, a tape measure, and a spirit level to mark positions on the brick wall according to the positions shown in the diagram. Use an electric drill to create 4 A holes and 4 B holes at the marked positions; Hole A has a diameter of 0.4 inches and a depth of 3.6 inches; Hole B has a diameter of 0.4 inches and a depth of 3.9 inches.

## STEP 6



Tools Required



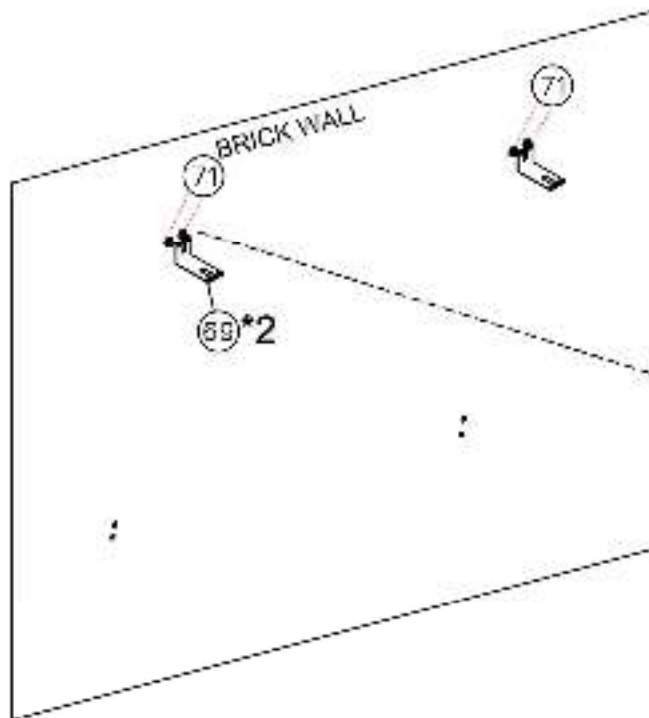
2.

Gently tap the No. 71 expansion bolts into the holes with a hammer until 0.04 inches are exposed outside. Use an adjustable wrench to tighten the nuts on the expansion bolts clockwise with force. Use an adjustable wrench to remove the nuts and anti-slip washers from the expansion bolts.

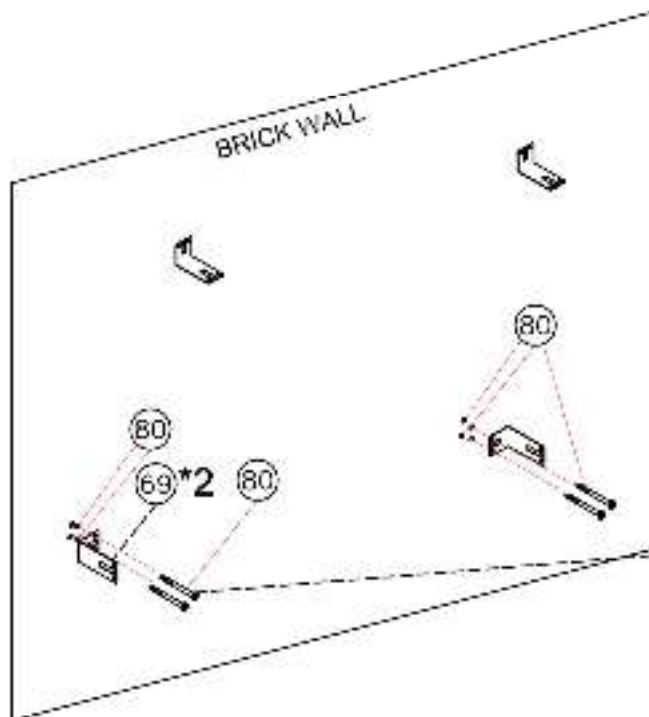
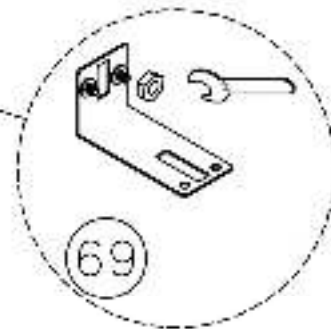
3.

Gently tap the No. 80 expansion rubber hose into hole B with a hammer until the end ring of the expansion rubber hose is flush with the wall.

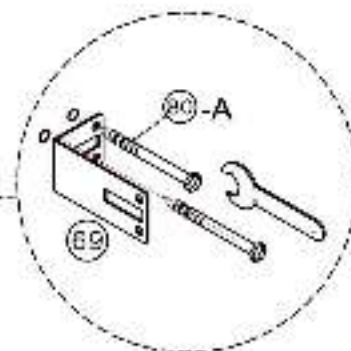
⑦①\*4    ⑧①A-B\*4



4, Please install the No. 69 iron part strictly according to the direction shown in the diagram.



4, Please install the No. 69 iron part strictly according to the direction shown in the diagram.



69\*4 71\*4 80 A-B\*4

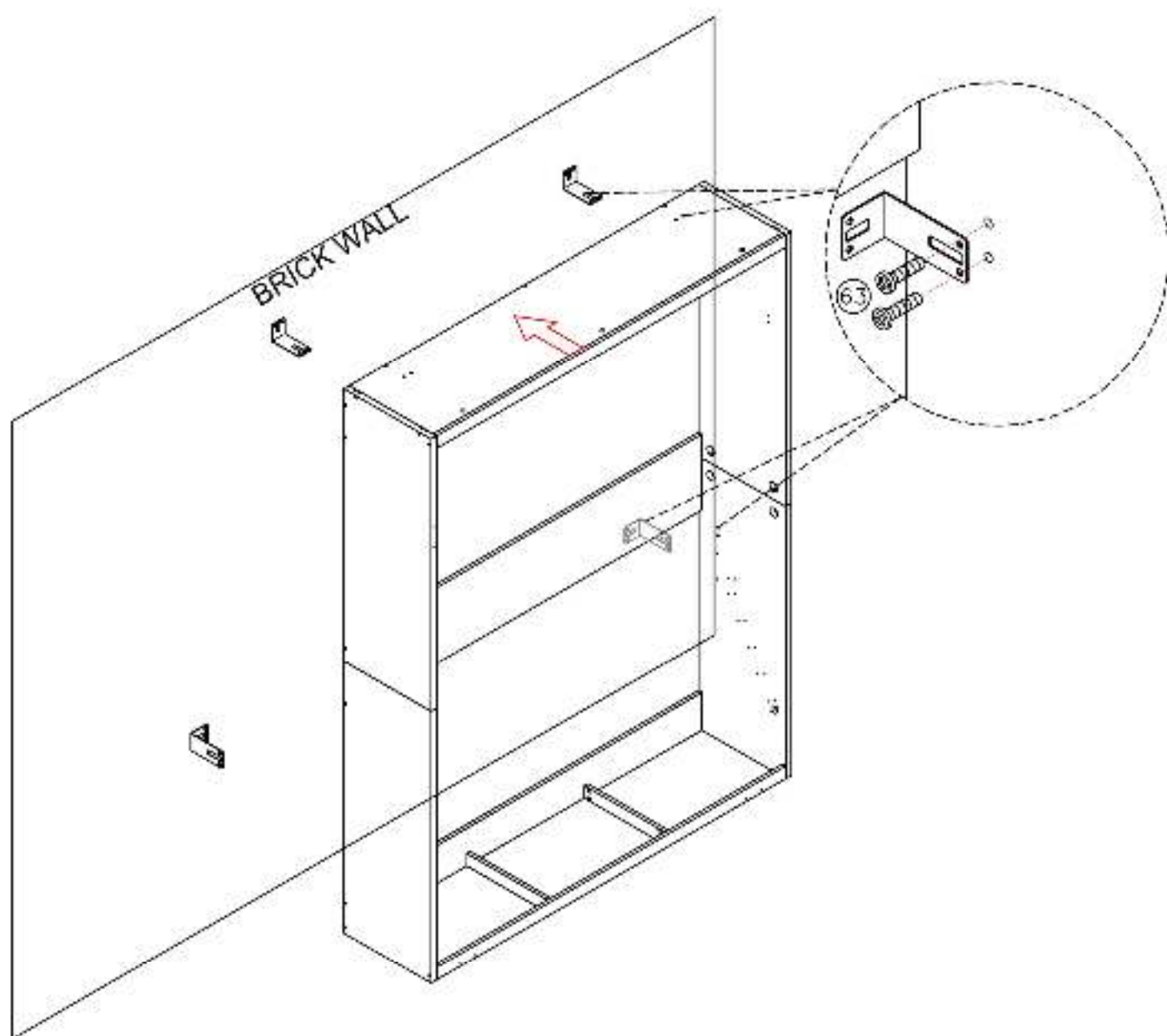
## STEP 7



# WARNING

For your safety

This step requires at least 4 people to complete together. One person is responsible for observing and guiding the moving direction of the cabinet body; two people respectively cooperate on both sides of the cabinet body to move it to the accurate position; and one person is responsible for keeping it upright to prevent the cabinet body from tipping over.



63\*8

## STEP8

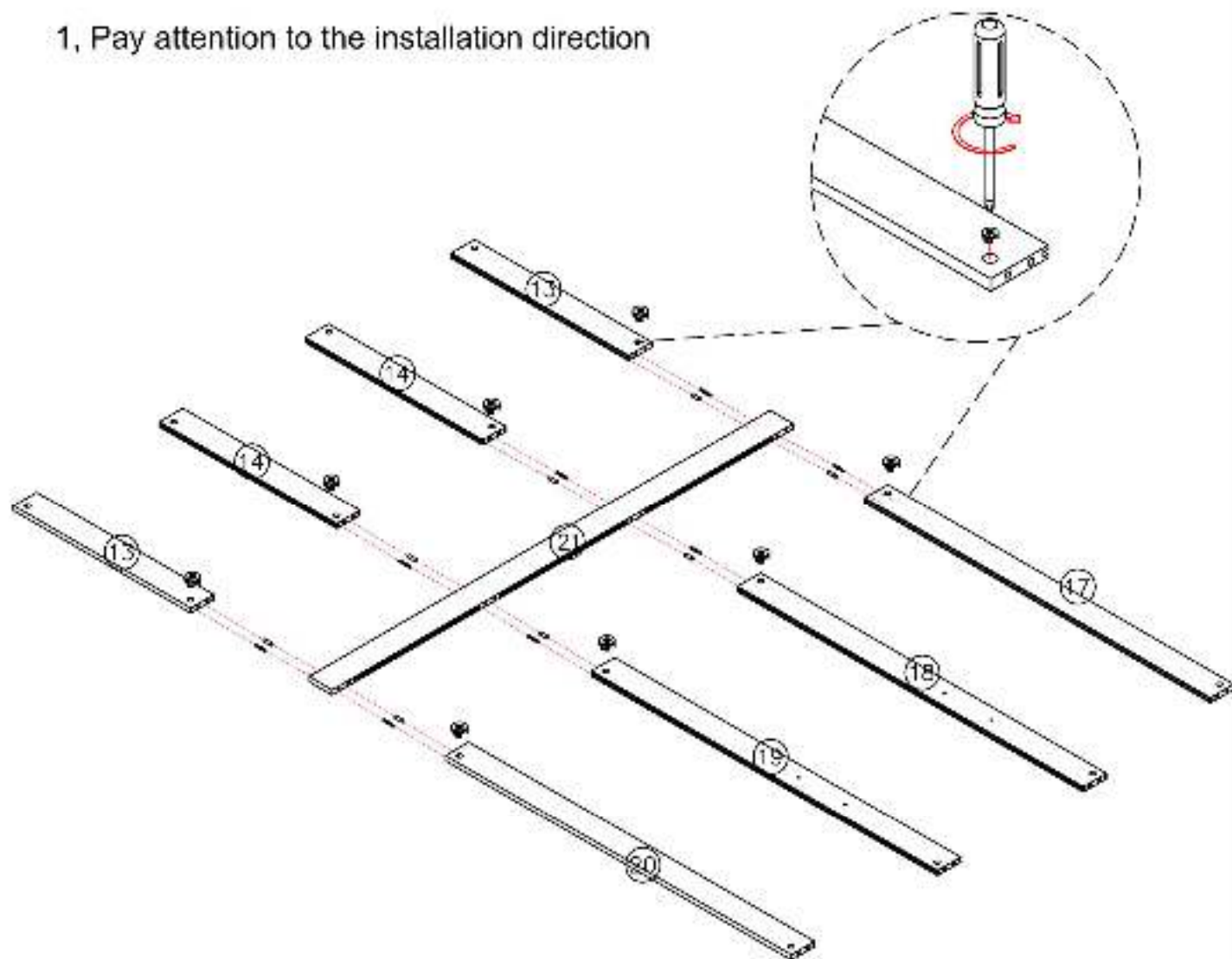
Tools Required



### ATTENTION:

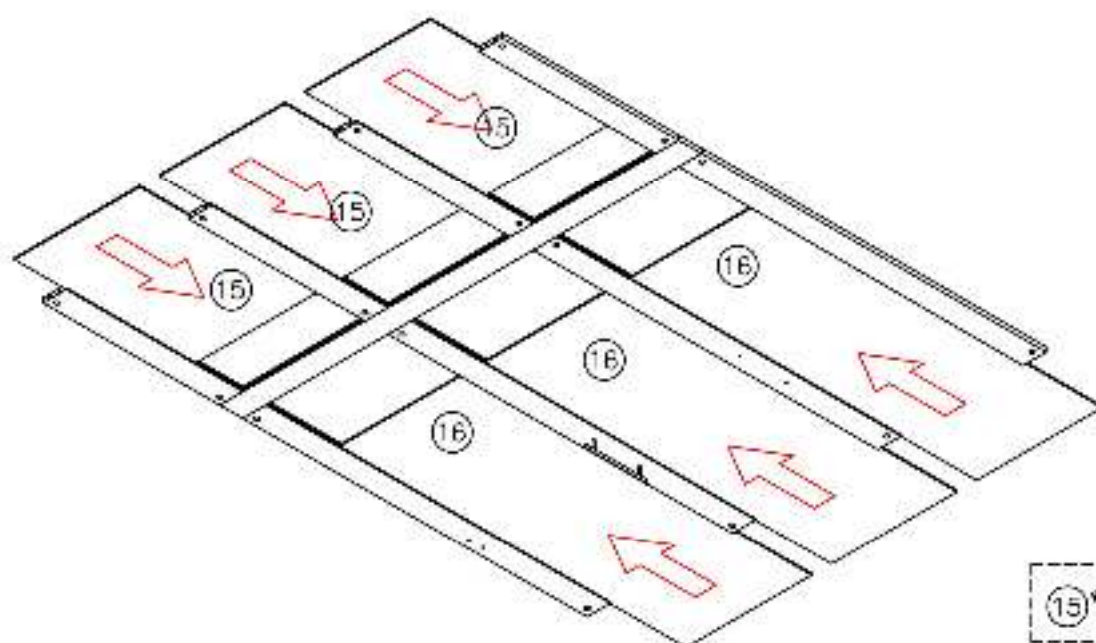
This step involves similar panel components. To prevent assembly errors, please carefully distinguish the installation positions according to the component numbers

1, Pay attention to the installation direction

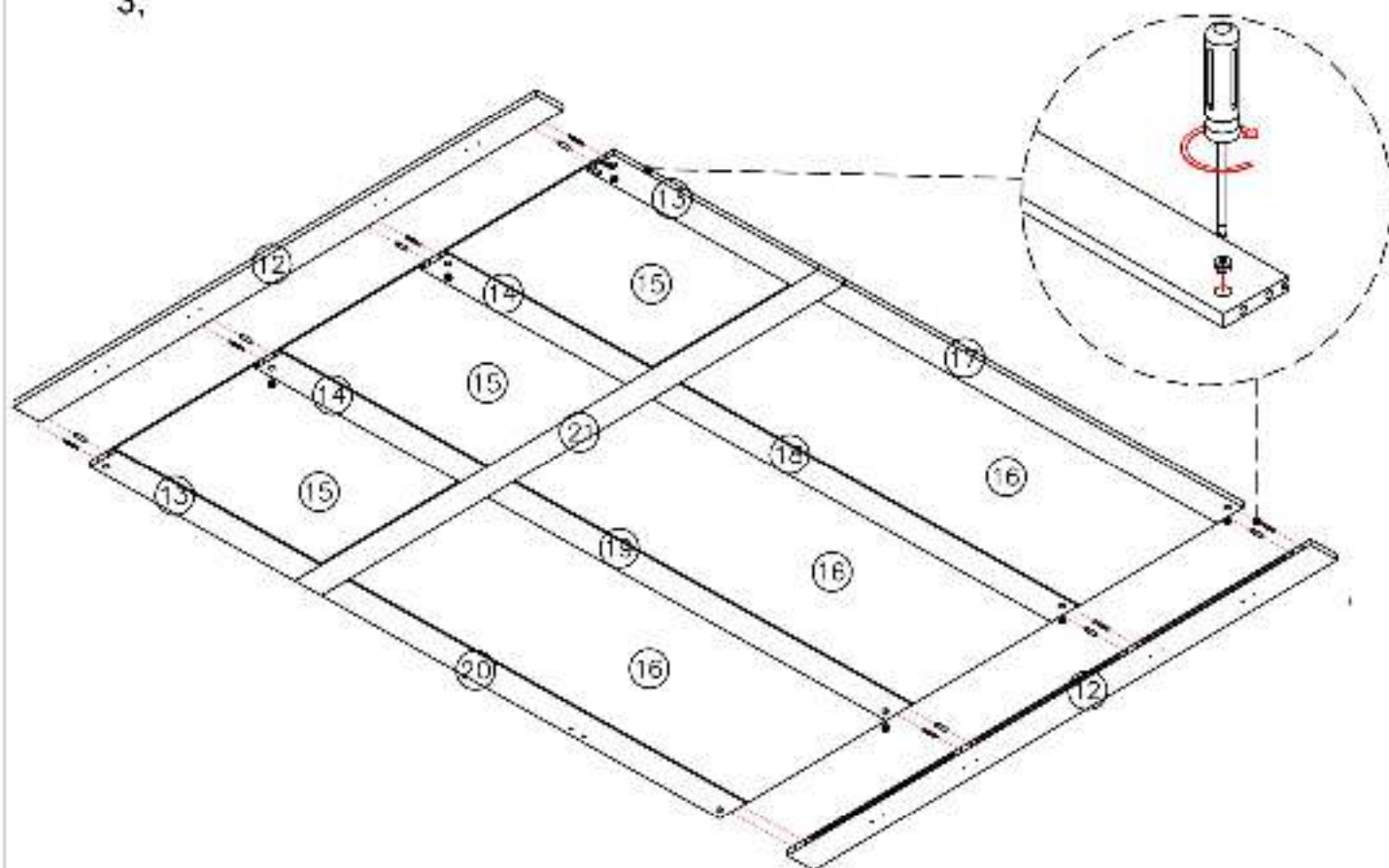


(13)\*2 (14)\*2 (17)\*1 (18)\*1 (19)\*1 (20)\*1 (A)\*8 (B)\*8 (C1)\*8

## 2. Slots

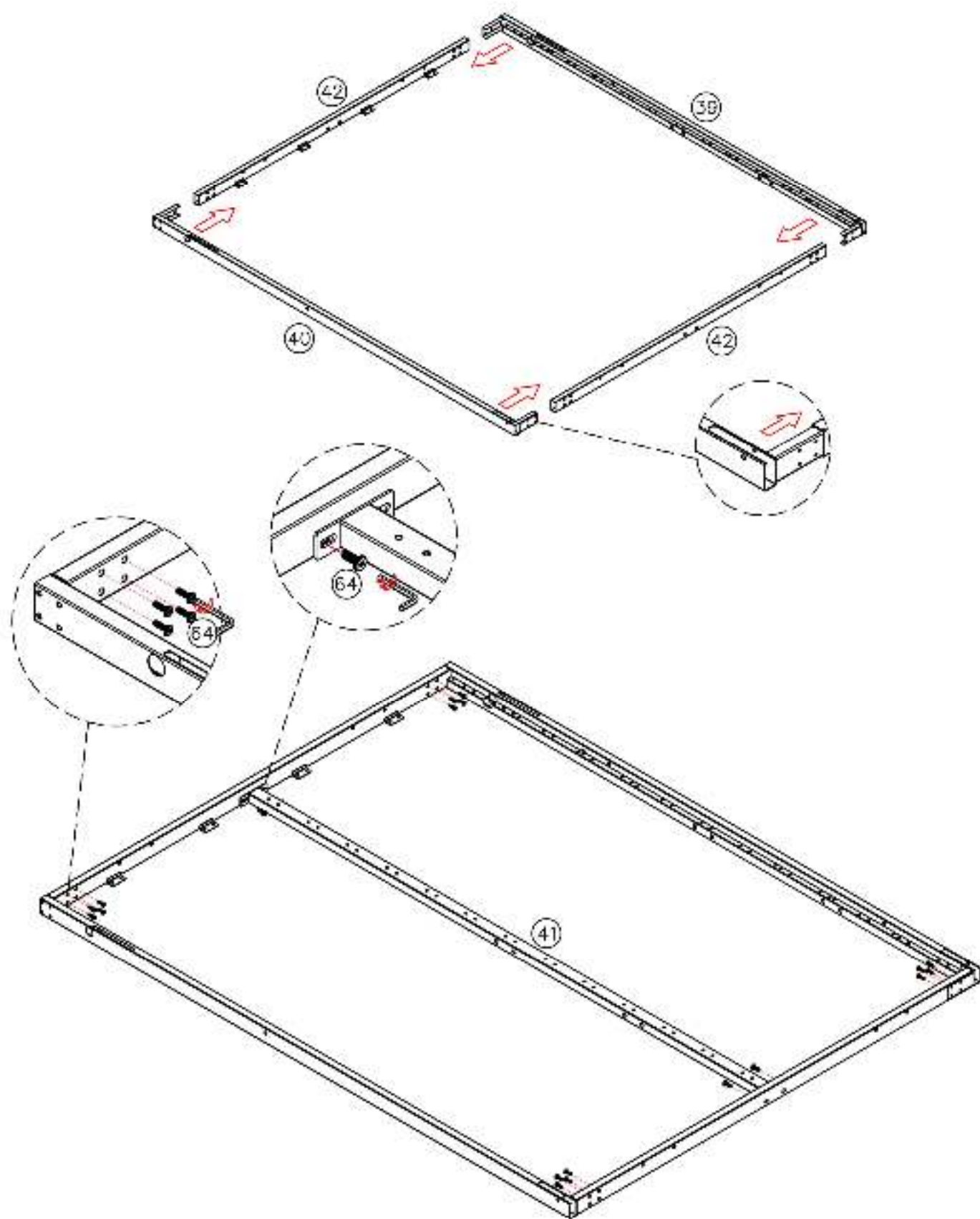


3.



12\*1 21\*1 A\*8 B\*8 C1\*8

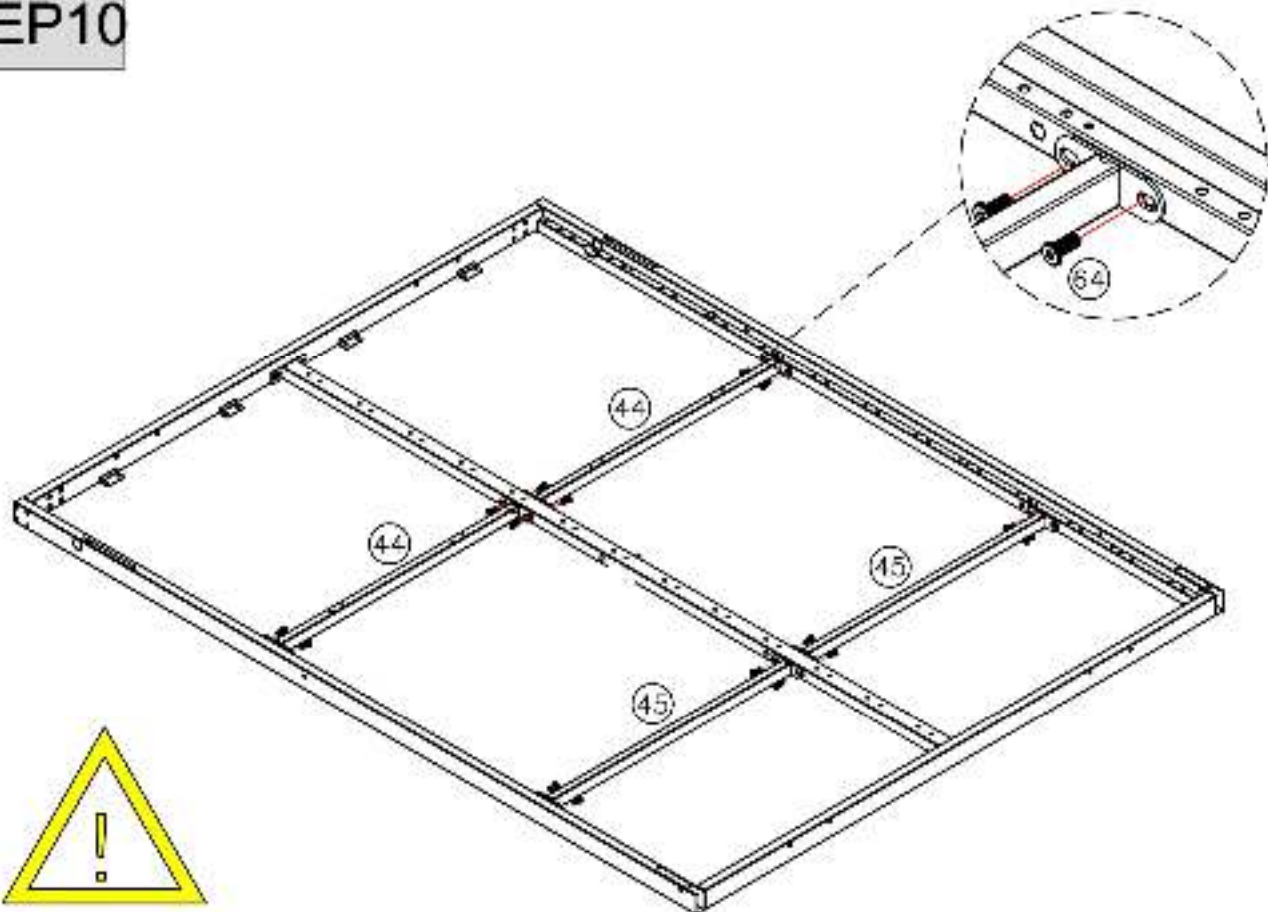
# STEP9



To prevent incorrect installation, please strictly install Panel 41#  
in the direction shown in the diagram.

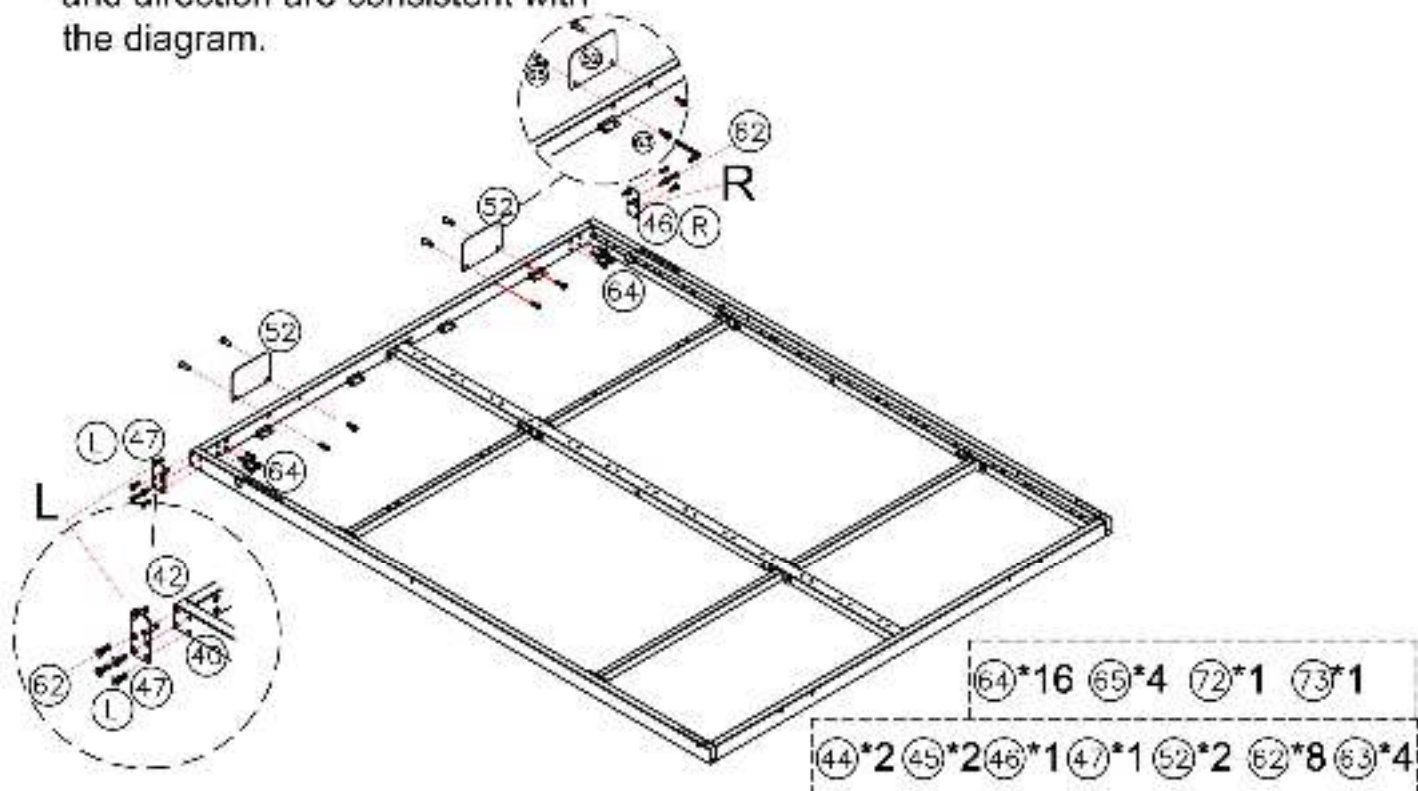
③⑨\*1 ④①\*1 ④②\*2 ⑥③\*16 ⑥④\*4 ⑦②\*1 ⑦③\*1

# STEP 10



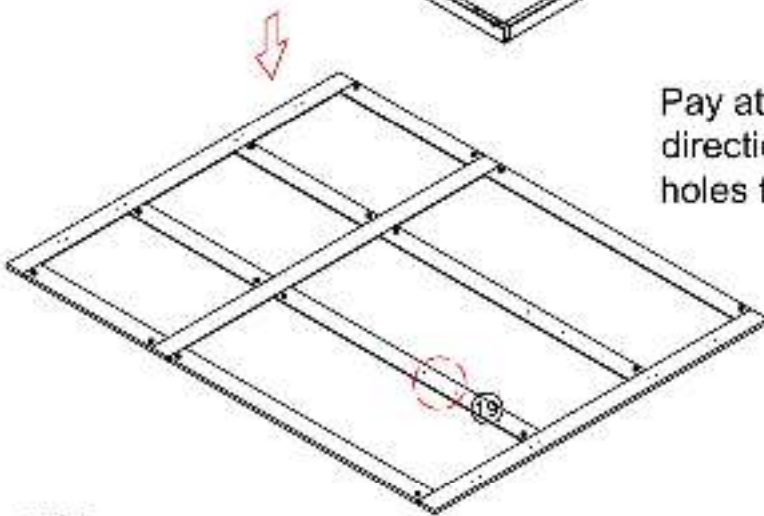
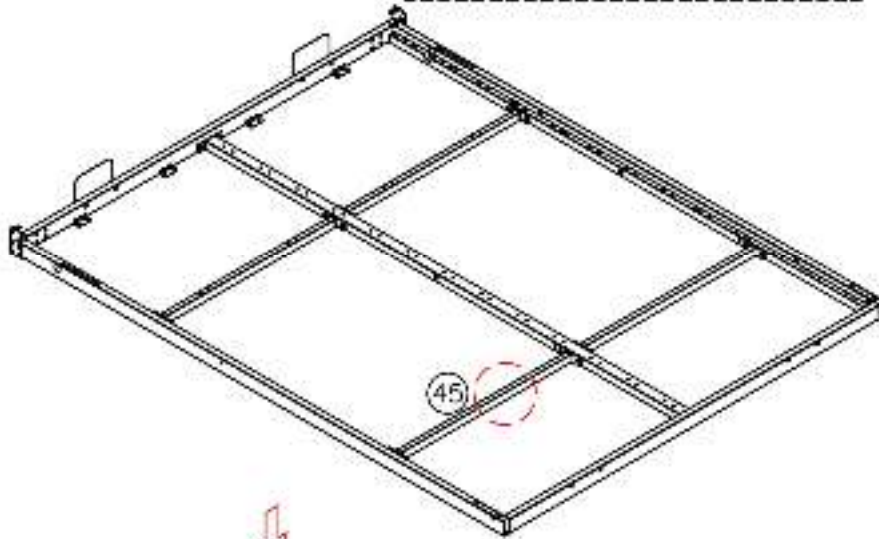
## WARNING

Incorrect assembly of Part 46 and Part 47 will inevitably causedamage to the product during use. Please carefully check whether their installation position and direction are consistent with the diagram.

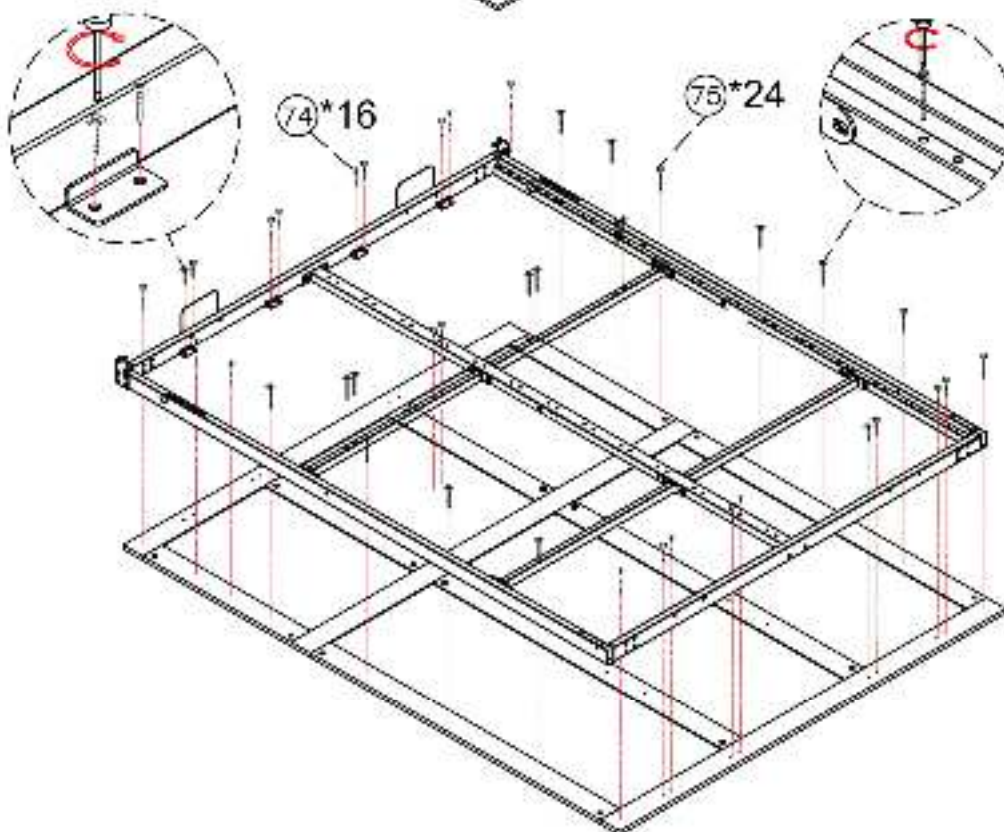


# STEP 11

Tools Required



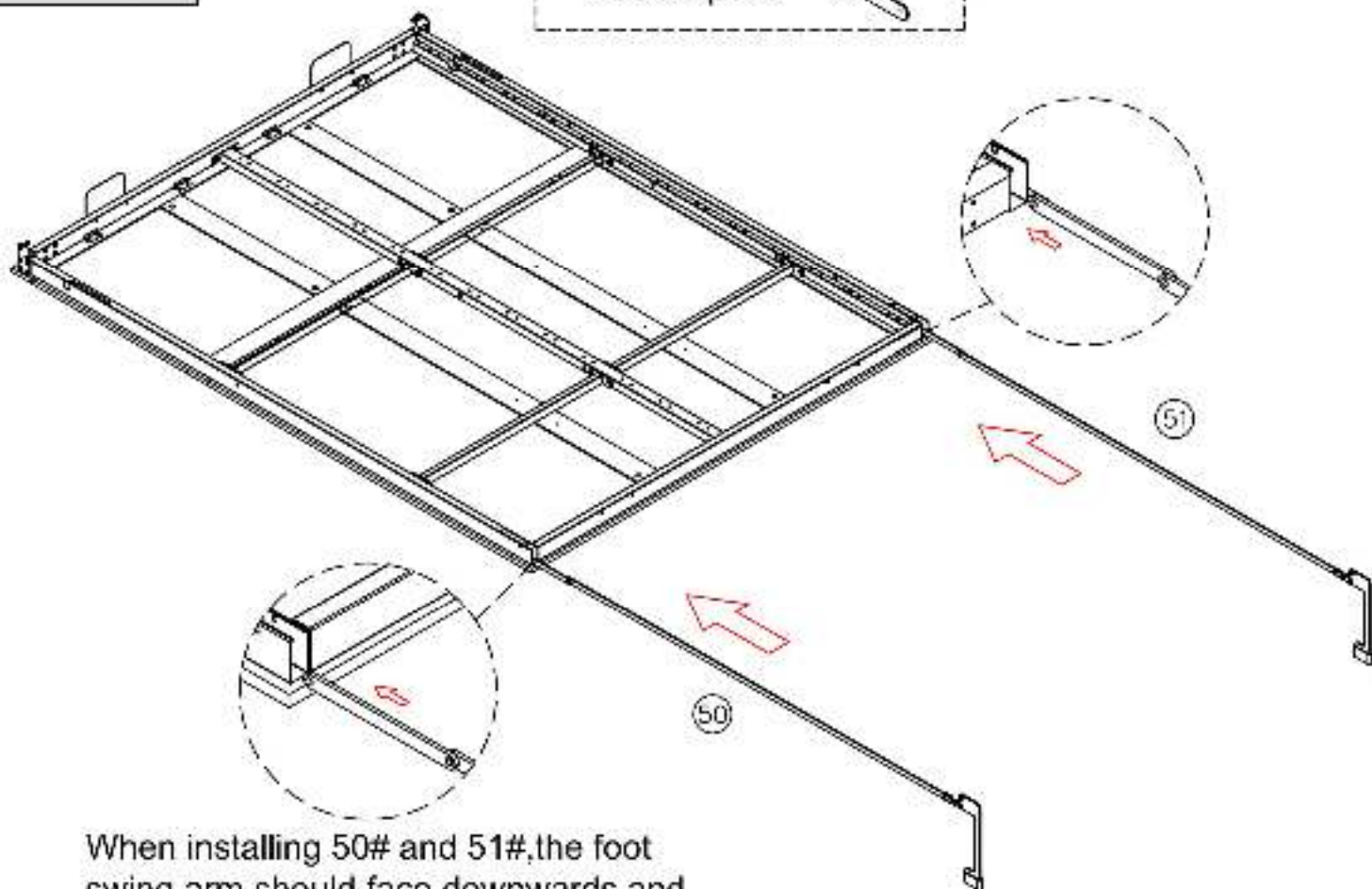
Pay attention to the installation direction. Especially 14# has two guide holes to install 53# stretch across 45#.



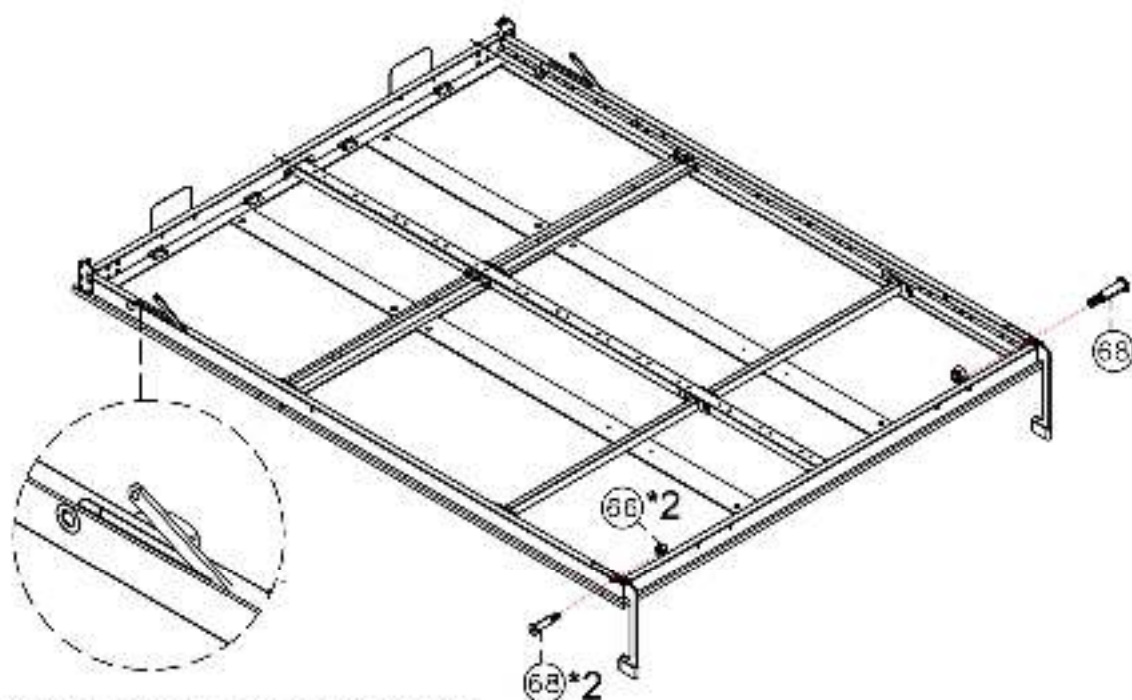
74\*16 75\*24

# STEP 12

Tools Required



When installing 50# and 51#, the foot swing arm should face downwards and the small swing arm should be on the outer side. 50# and 51# can not be exchanged!!

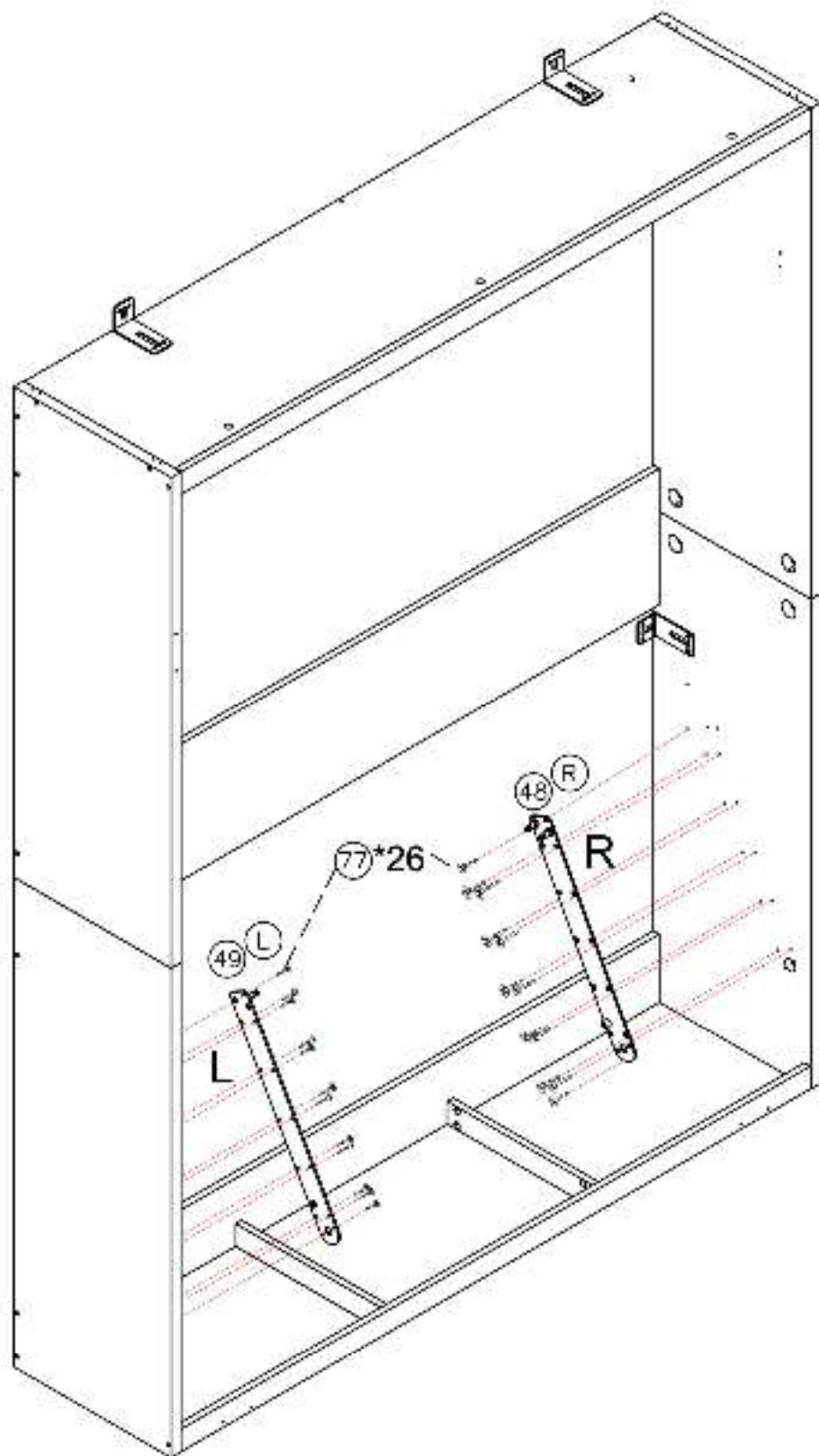


Please lift the small swing arm here  
Then install the screws

50\*1 51\*1 66\*2 68\*2 72\*1

# STEP 13

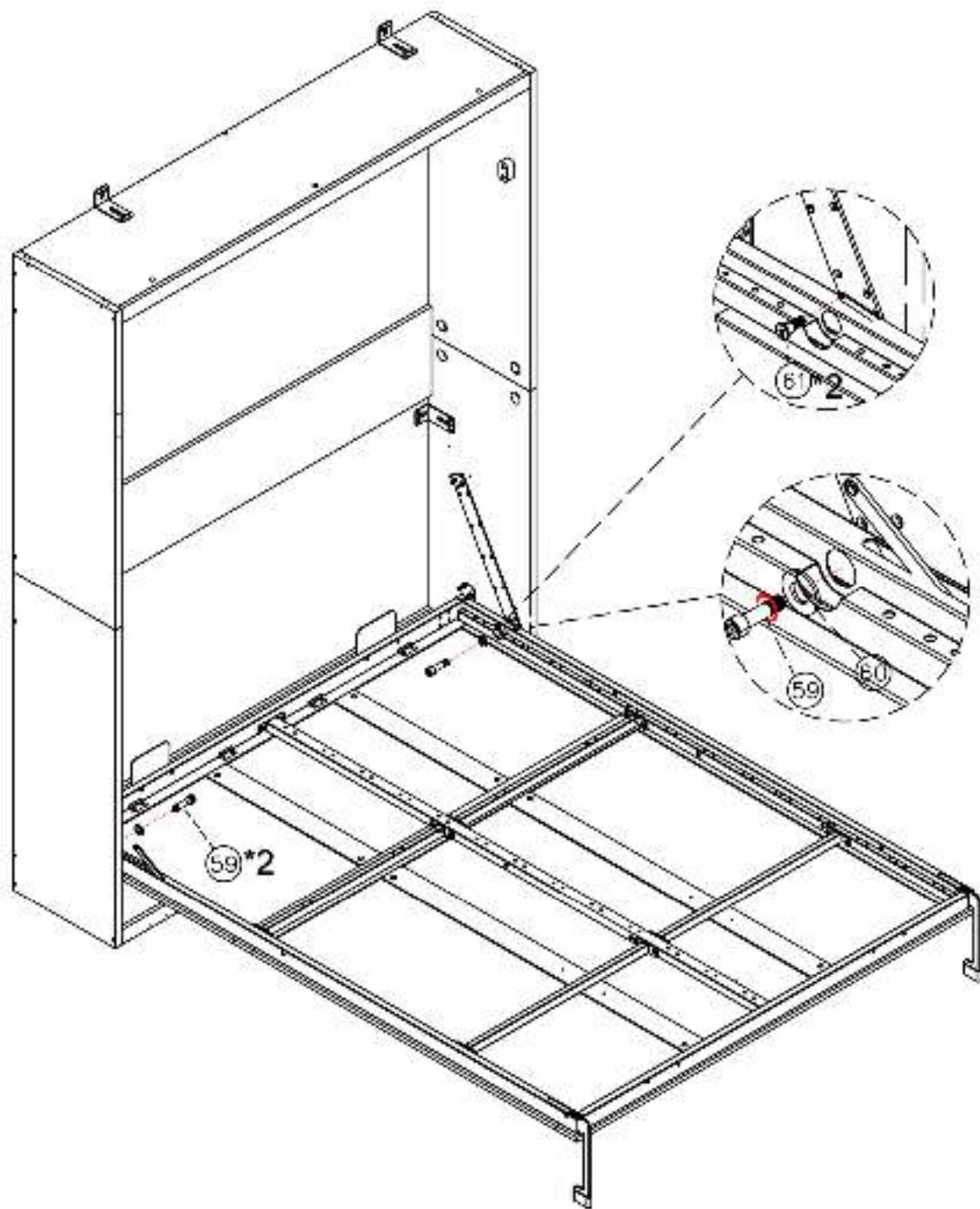
Tools Required



48\*1 49\*1 77\*26

# STEP 14

Tools Required



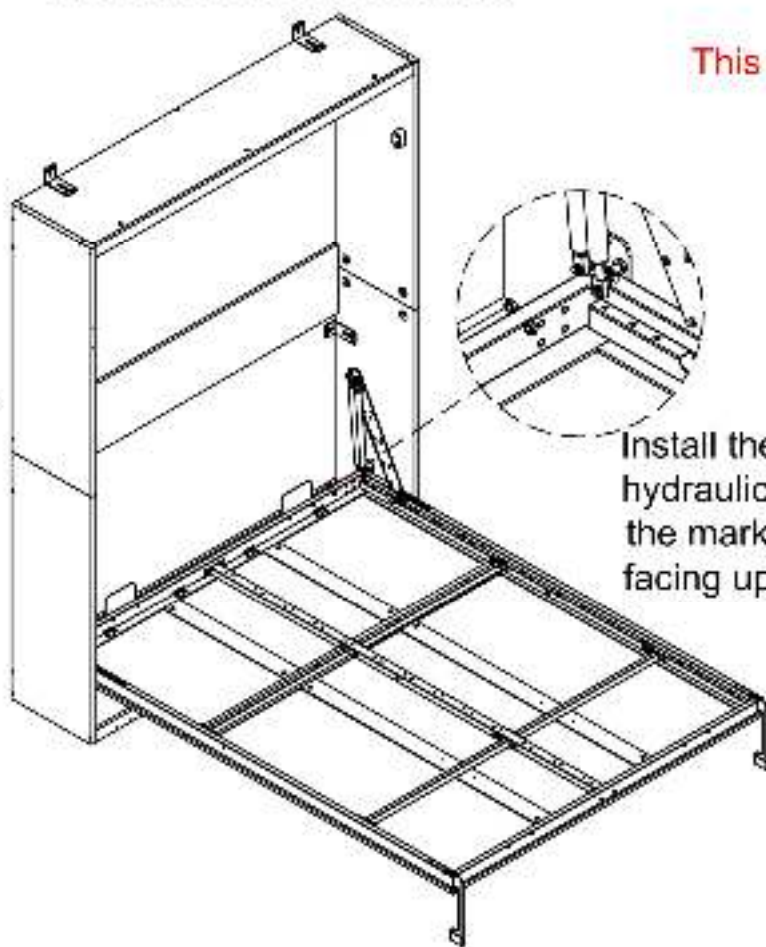
59\*2 60\*2 61\*2 72\*1 76\*1

# STEP 15

Tools Required

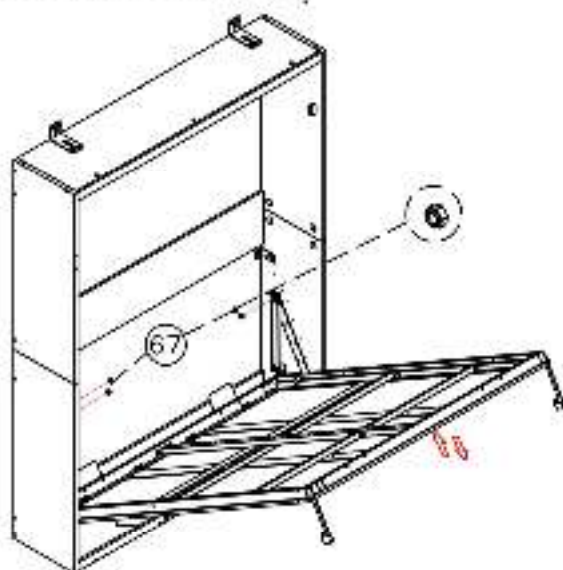


**WARNING**  
**DO NOT** remove the iron straps compressing the hydraulic rods (Part 58) until you have fixed the rods on both sides of the cabinet interior.



Install the hydraulic lever with the marked area facing upwards.

Swing the bed frame up and down, install 58# onto the bolts of 48# and 49# to get the right position, then lock 67# nuts.



Press down the bed frame appropriately and remove the iron straps of 58#(recommend to wear gloves).

58\*4 67\*8

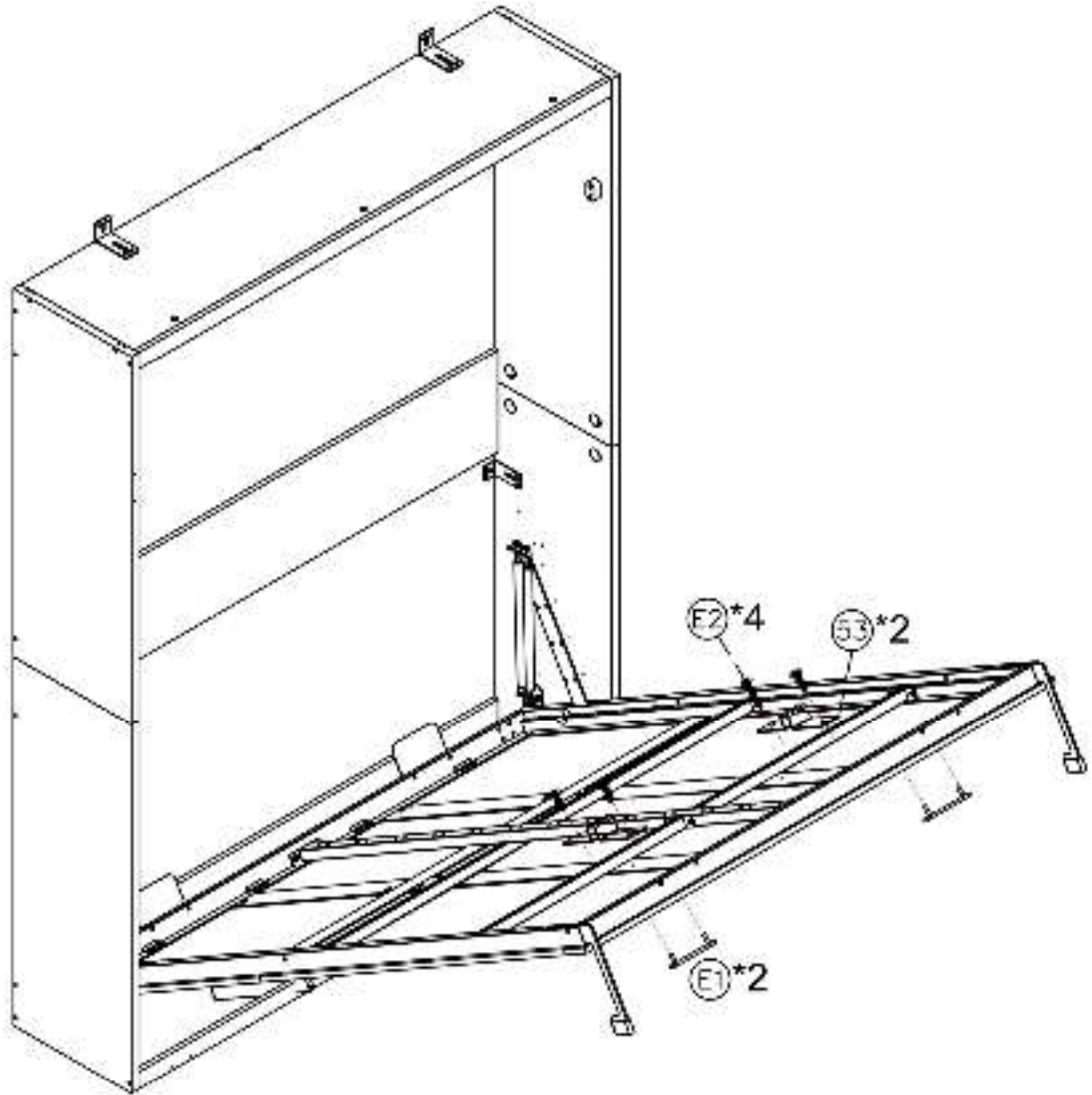
## STEP 16

Tools Required



### ATTENTION:

Because after removing the iron straps around hydraulic rods, the hydraulic rod will produce tension on the bed frame, due to the subsequent installation, there is no heavy weight on the bed frame, so the bed frame will rebound, therefore, please pay attention to the warning belows.



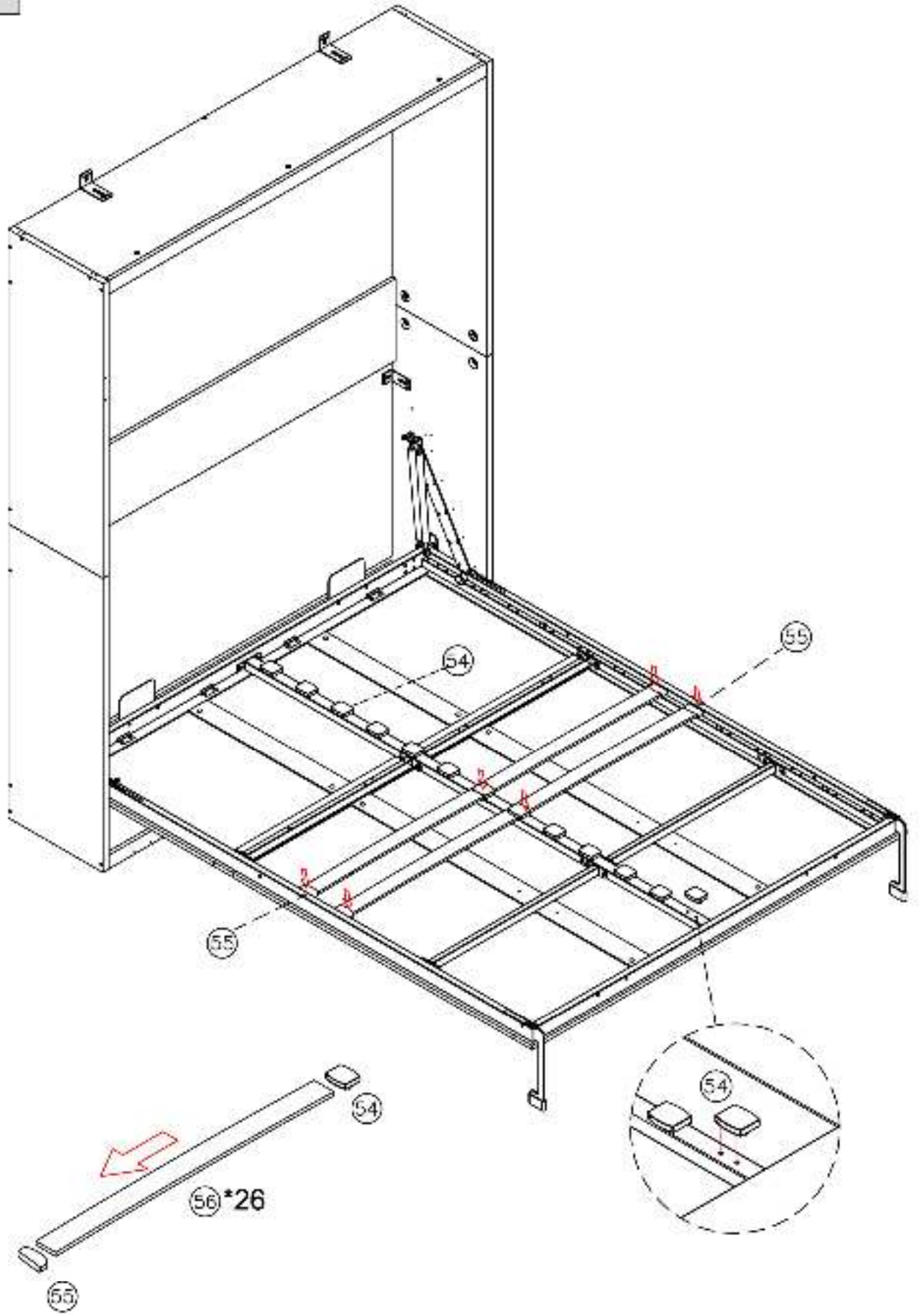
### WARNING

For your safety:

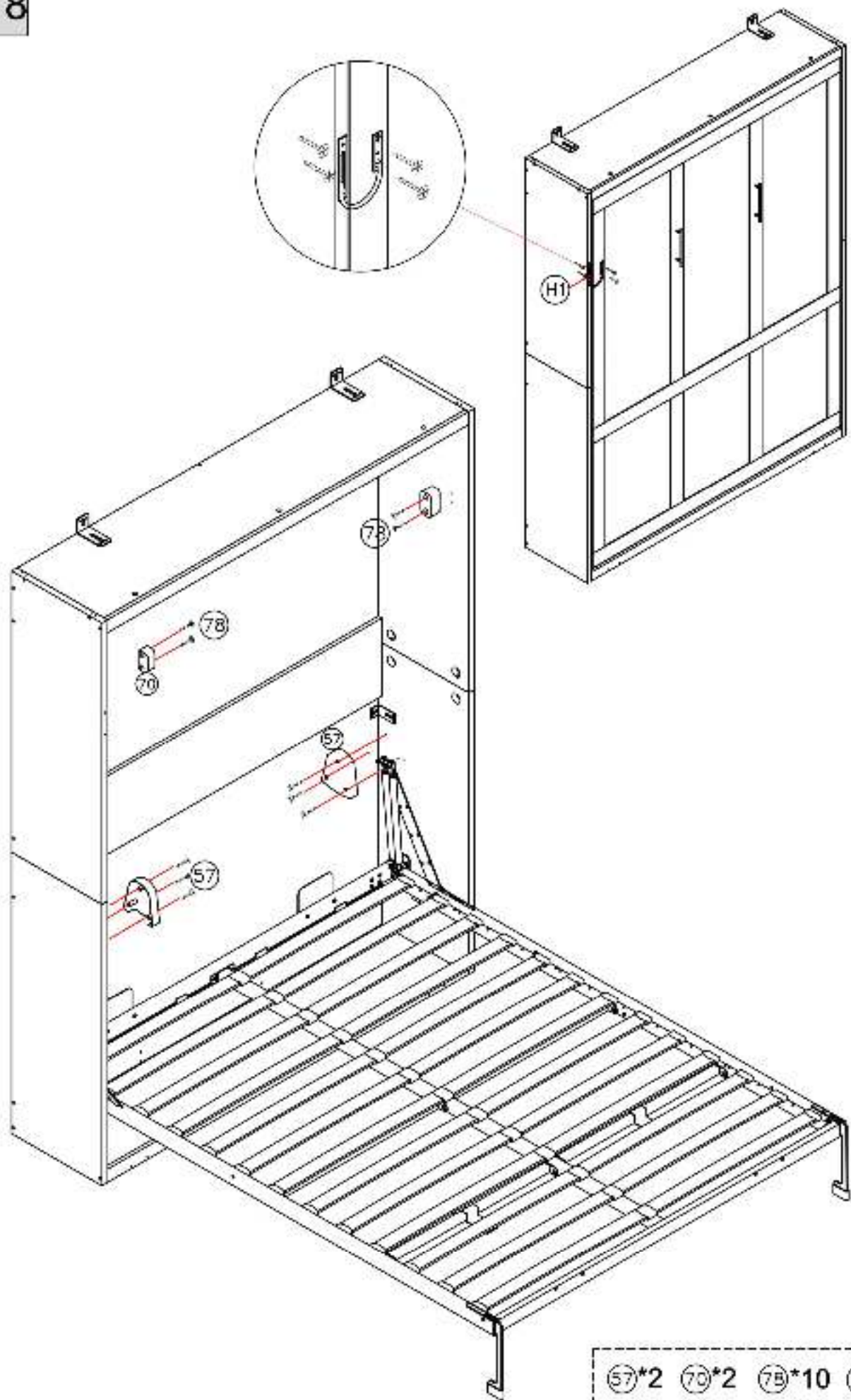
Please use no less than 88lbs of weight to press the bed frame in the subsequent installation process, to avoid accidental injury caused by there bound of the bed frame!

E3\*2 E1\*2 E2\*2

# STEP 17

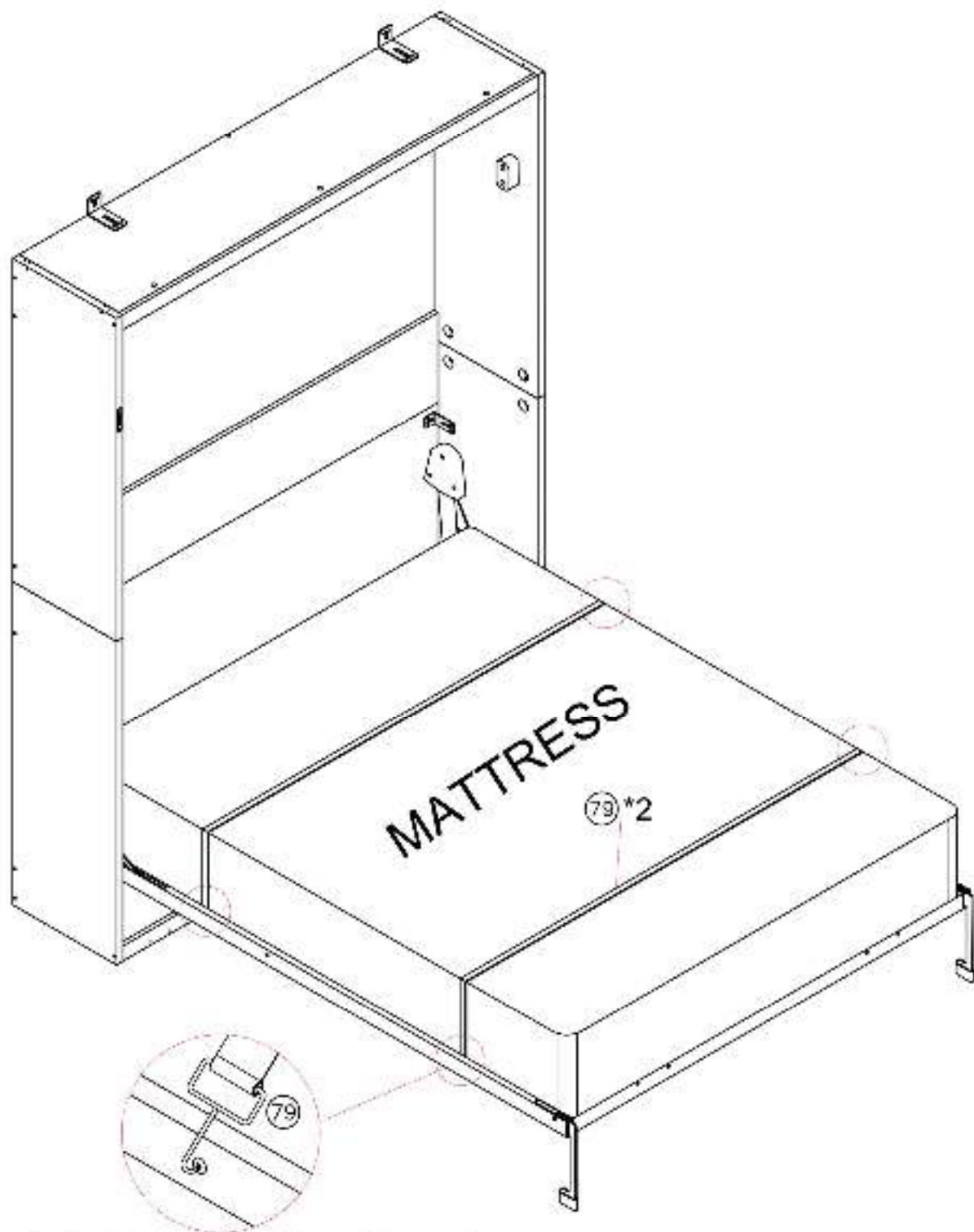


# STEP 18



(57)\*2 (70)\*2 (78)\*10 (H1)\*1

## STEP 19

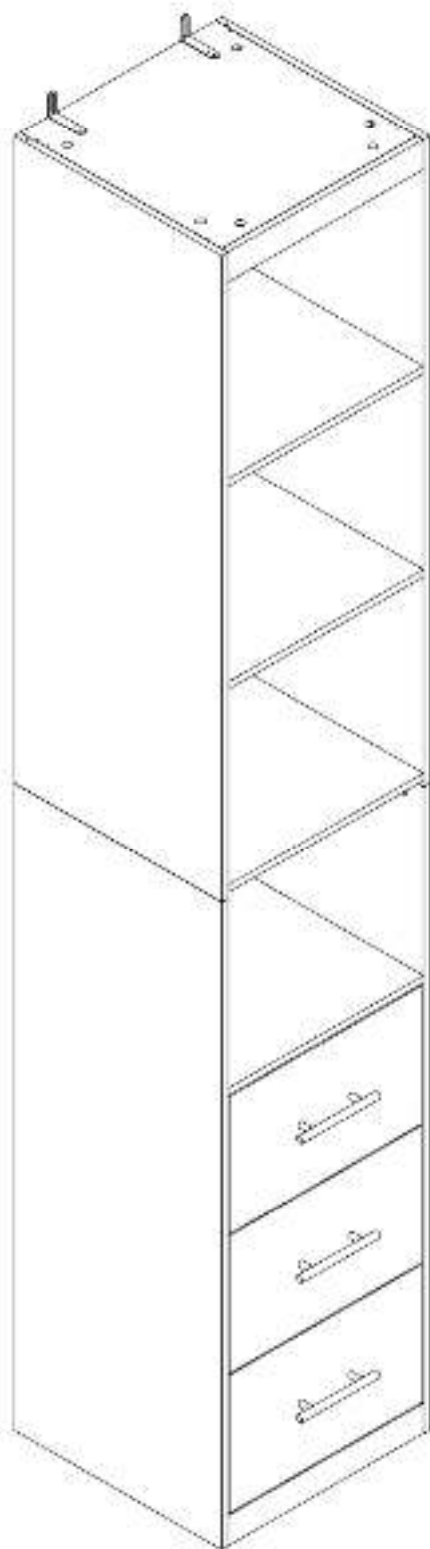


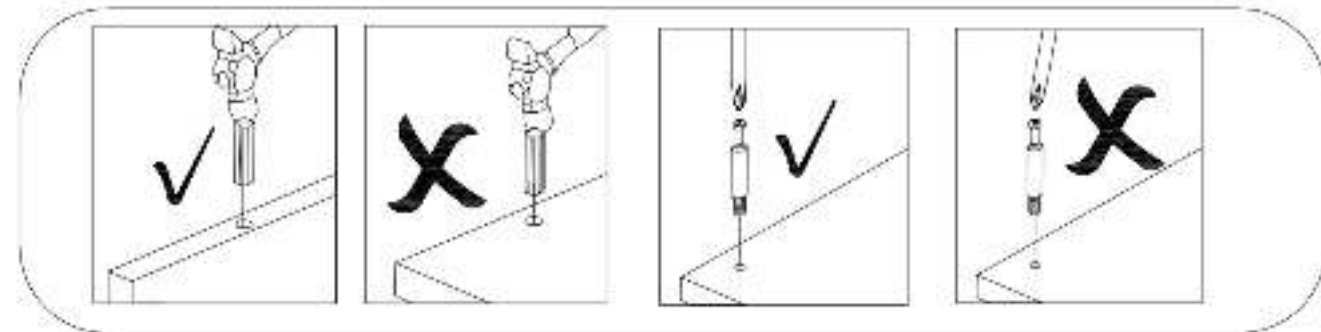
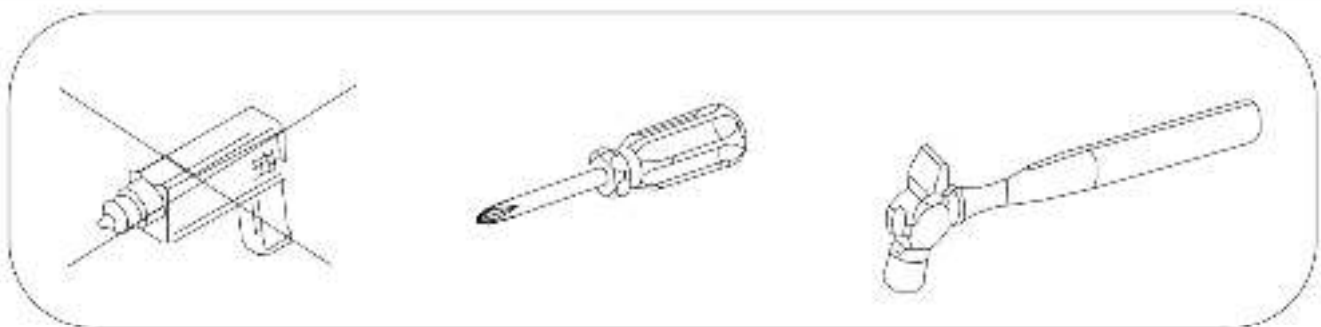
The inside hook to fixed the mattress strap




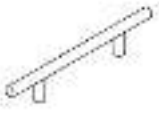








# Final Assembly!

79 \*2

# Assembly Instruction



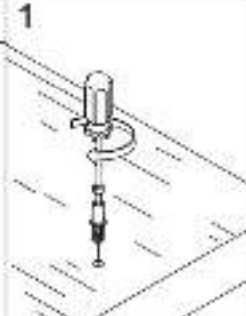


 Ø7*32mm A*14	 Ø15*9mm B*44	 Ø8*30mm C*32	 D*3
 Ø4*20mm E*6	 Ø4*35 F*14	 Ø3.5*12mm G*60	 H*2
 I*2	 J*12	 K*2	 L: 350 L*3

## Using Camlocks(Single head cam)

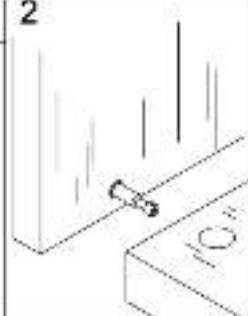
**Step 1**

Connect the male camlock as directed in the assembly instructions using a screwdriver.



**Step 2**

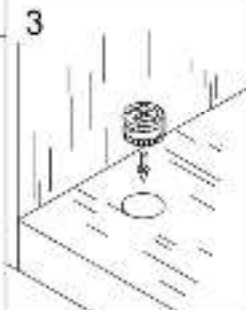
Push the male camlock into the entry hole.



**Step 3**


Insert the female camlock as shown in the instruction.

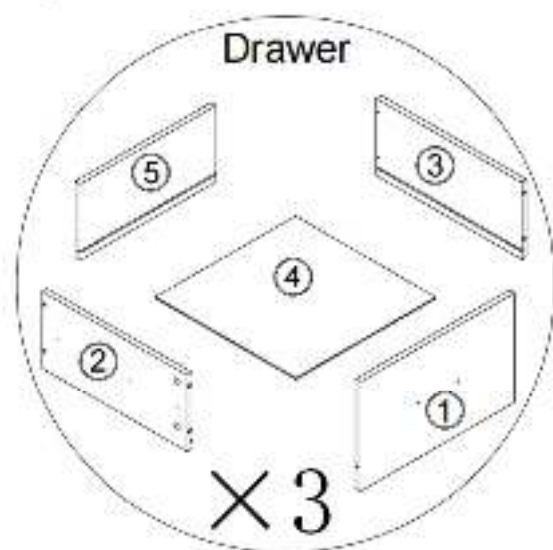
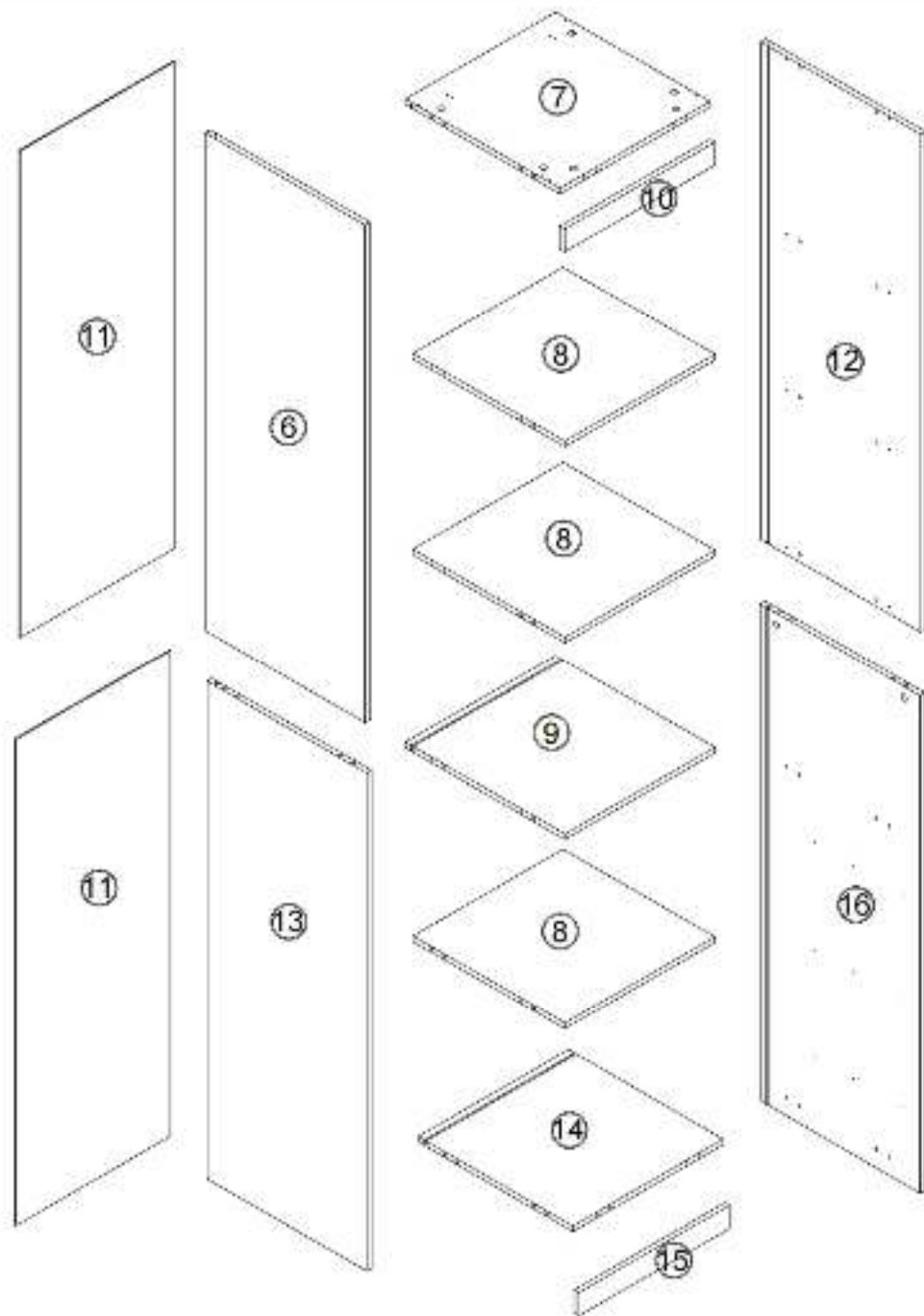
Note: ensure that the arrow on the top of the camlock points towards the entry hole for the male camlock.

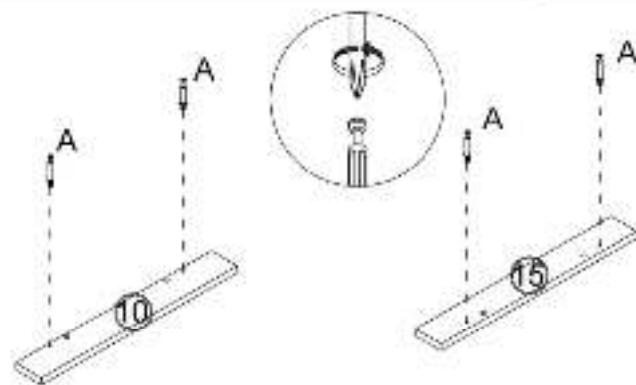
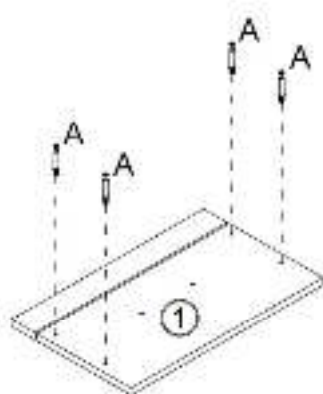
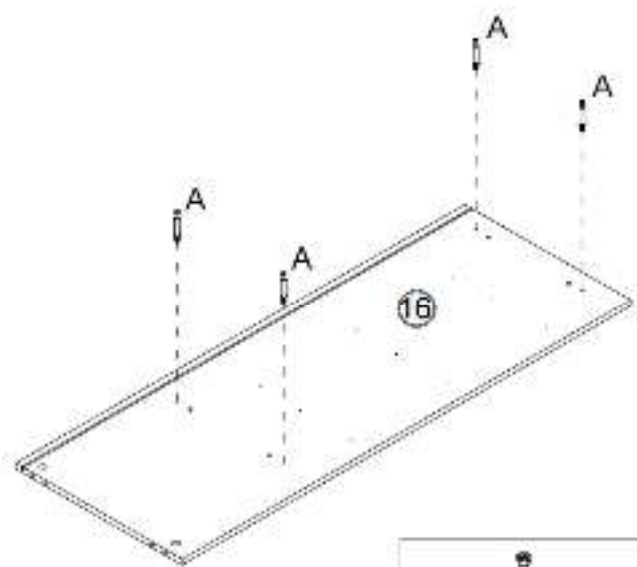
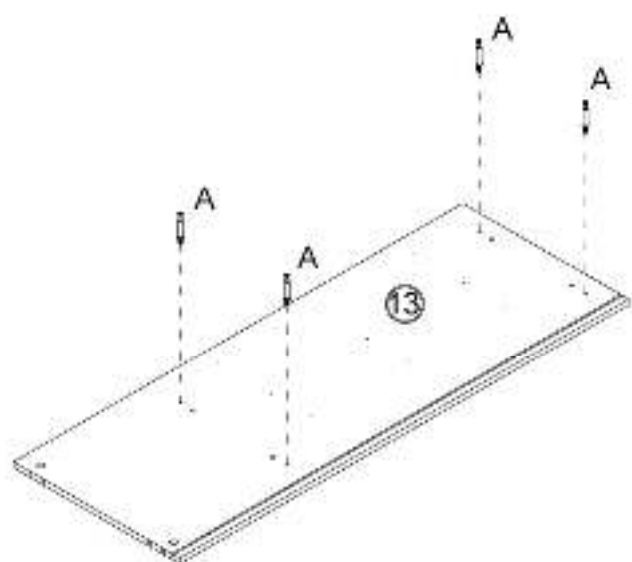
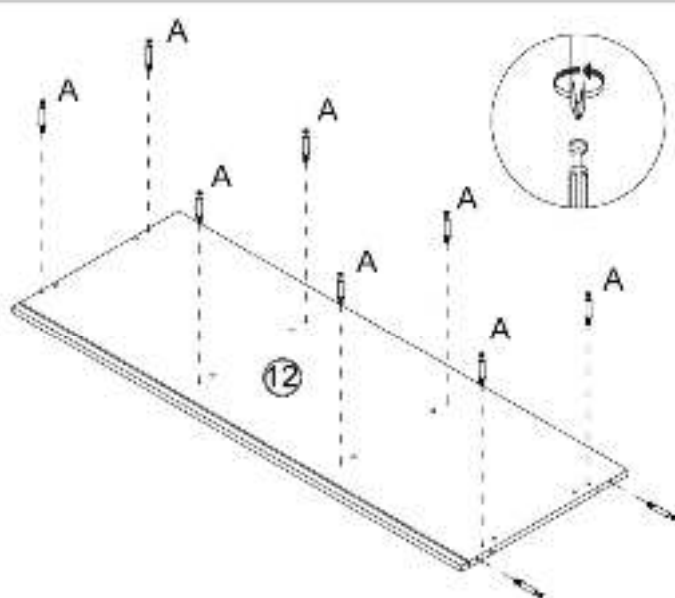
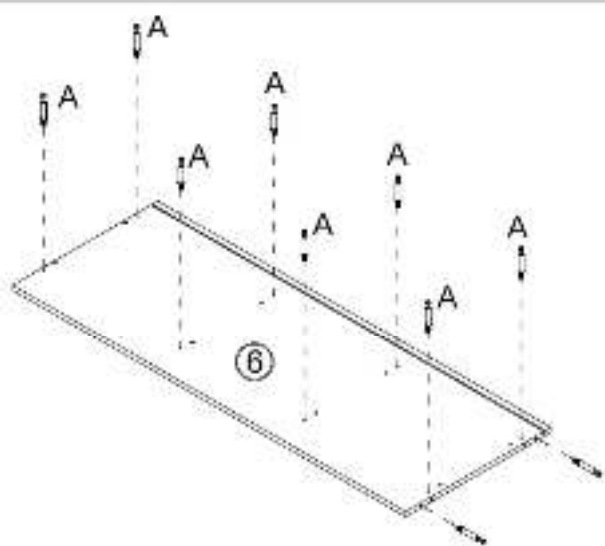


**Step 4**

Turn the female camlock 180 degrees clockwise with a screwdriver to complete the locking.

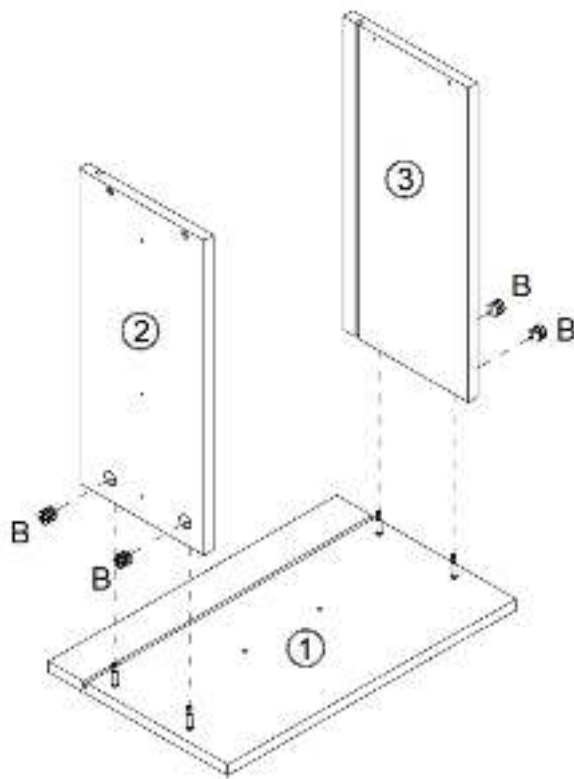
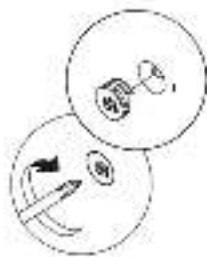






×3

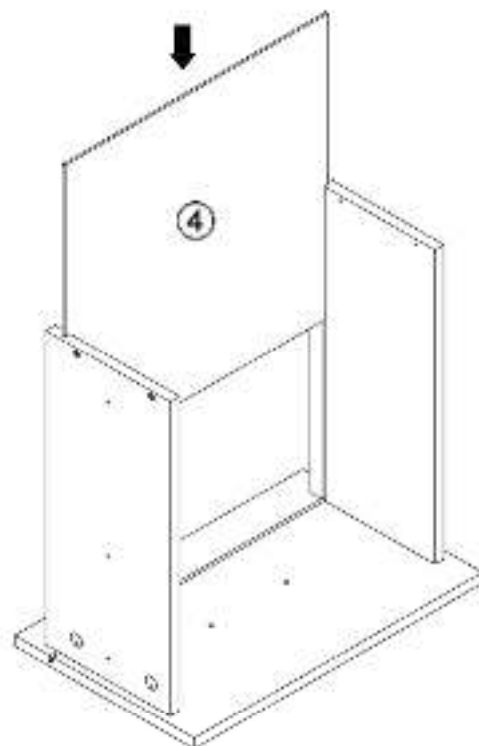




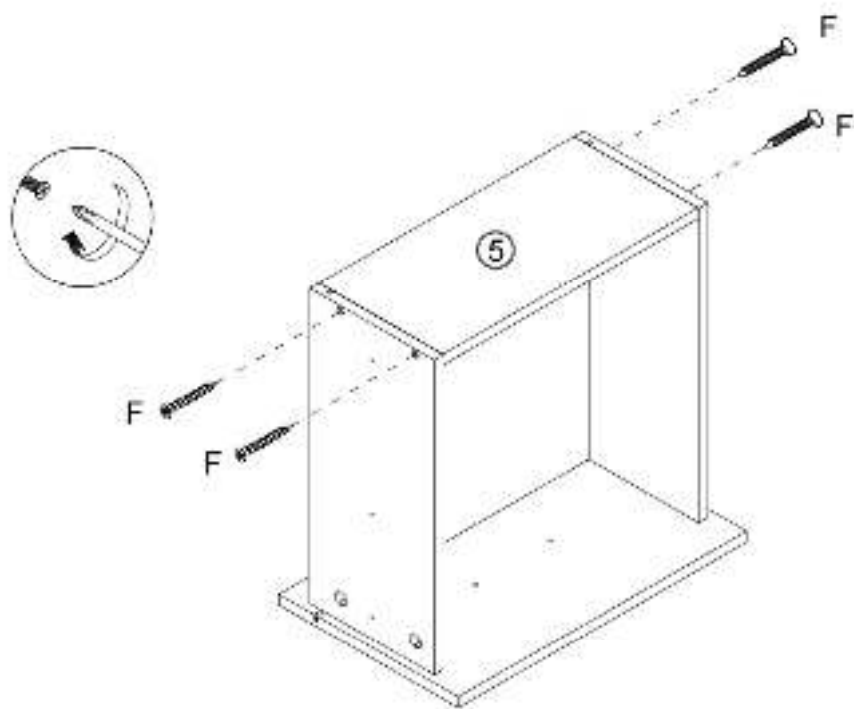
× 3



B\*12



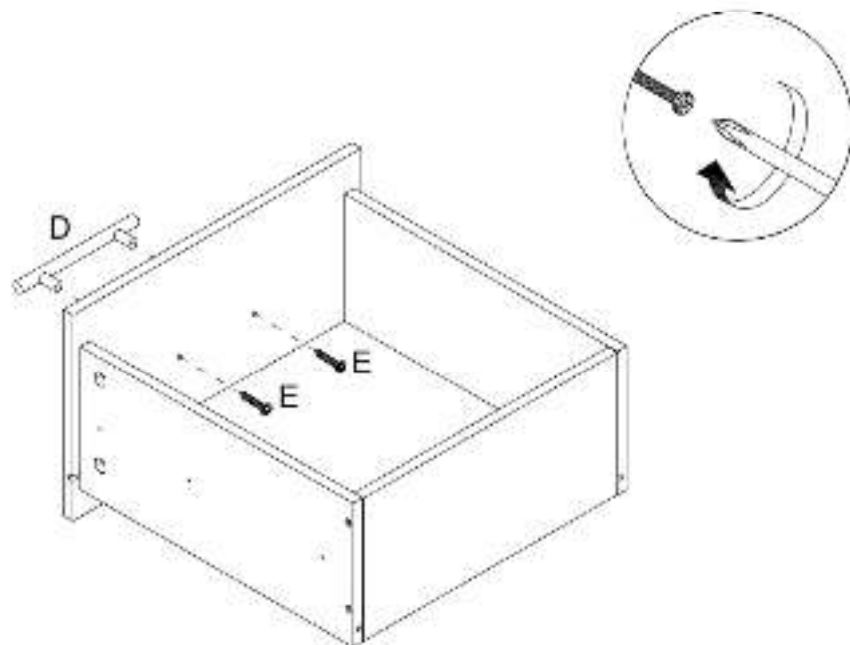
× 3



×3



F\*12



×3



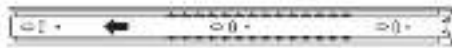
D\*3



E\*6

## How To Separate The Sliding Rail:

1) Pull the slider in the direction of the arrow until it stops, then flip it over.



2) Push the plastic lever down and pull the slider apart at the same time.



3) After disassembly



## How to Assemble the Slider

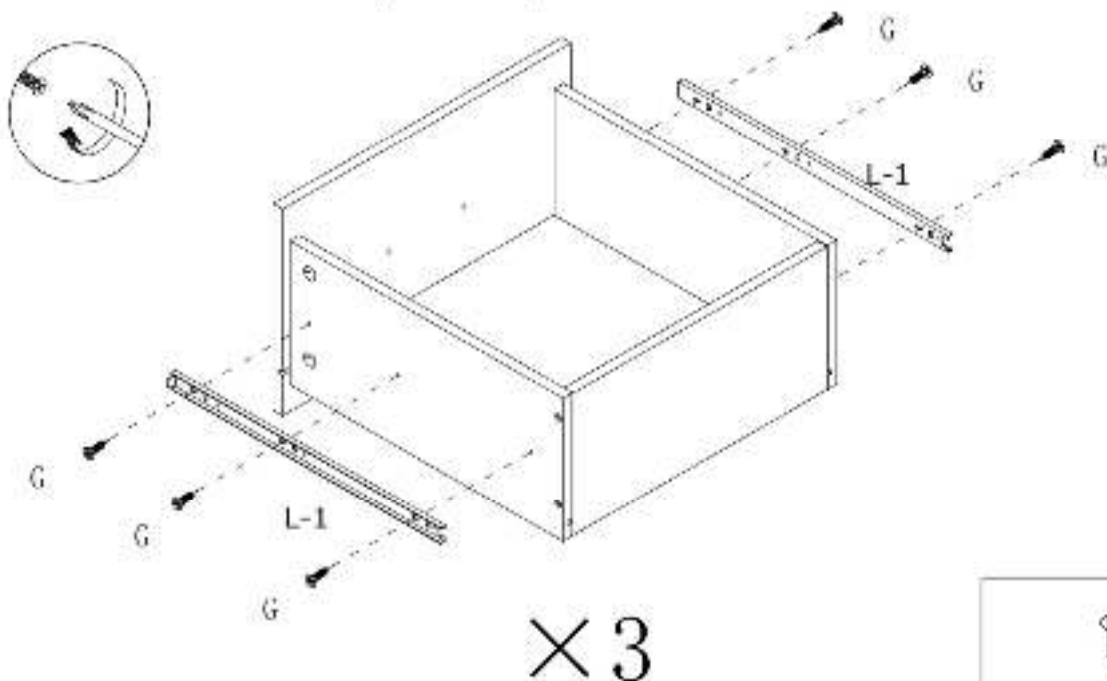


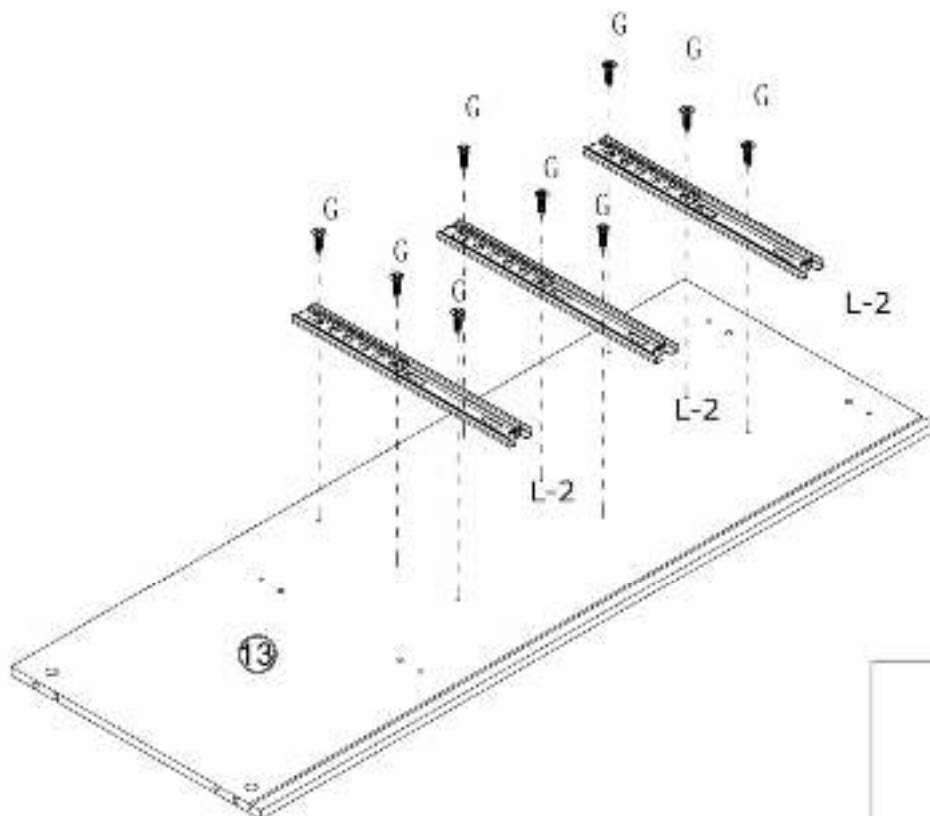
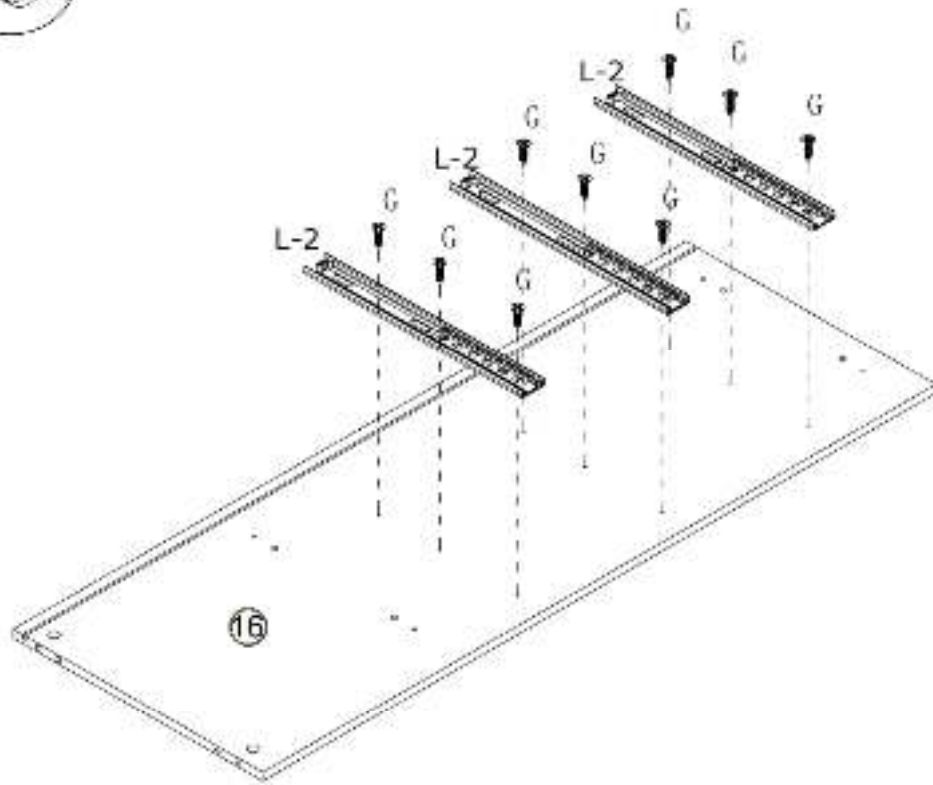
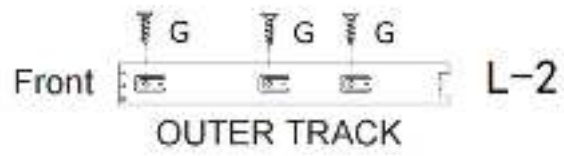
Align the outer track(L-2) with the center of the inner track(L-1) and push in.

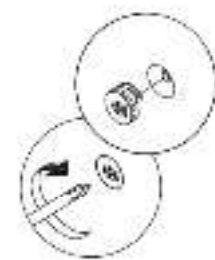
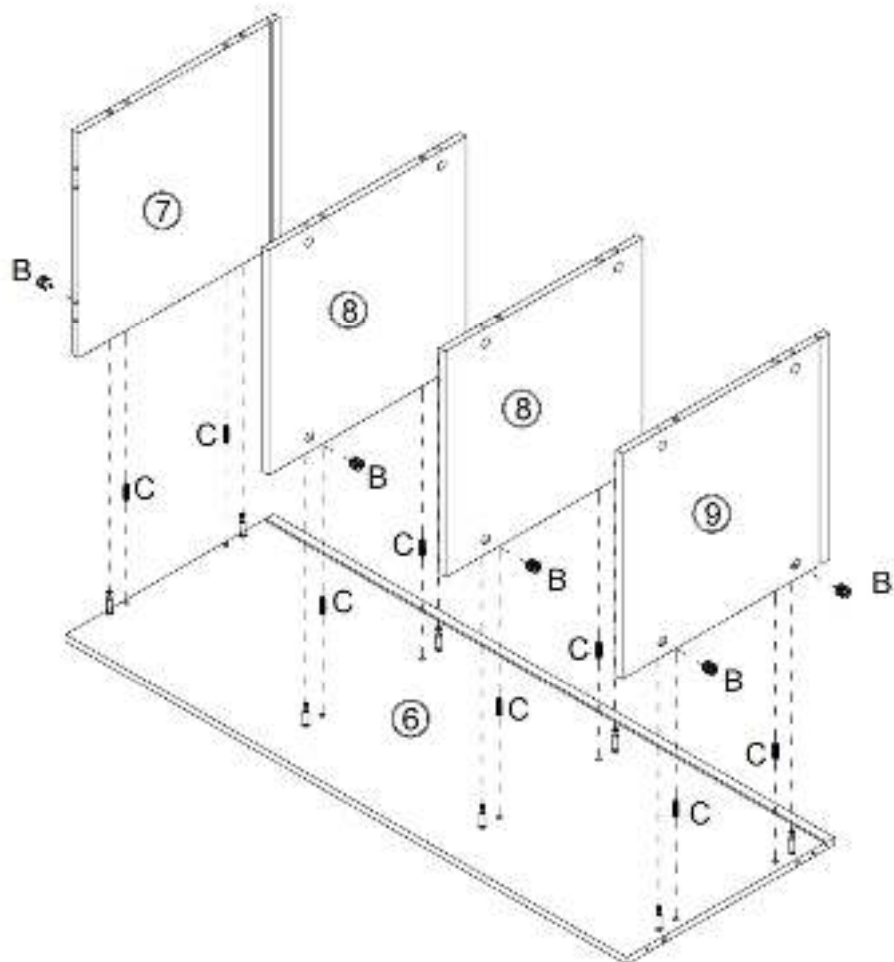


### Inner Track Adjustment:

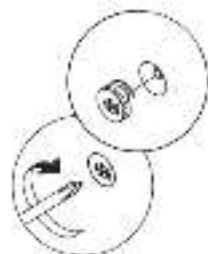
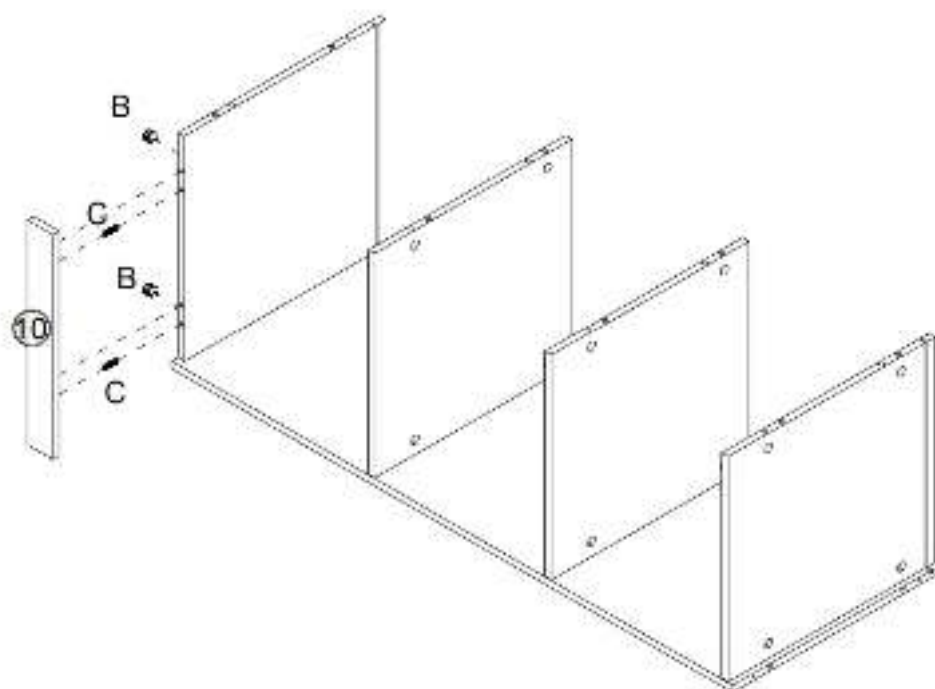
If the drawer height is uneven, you can adjust the slide position up or down to balance it.



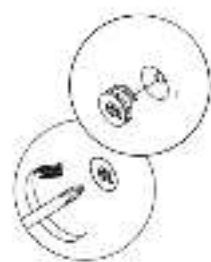
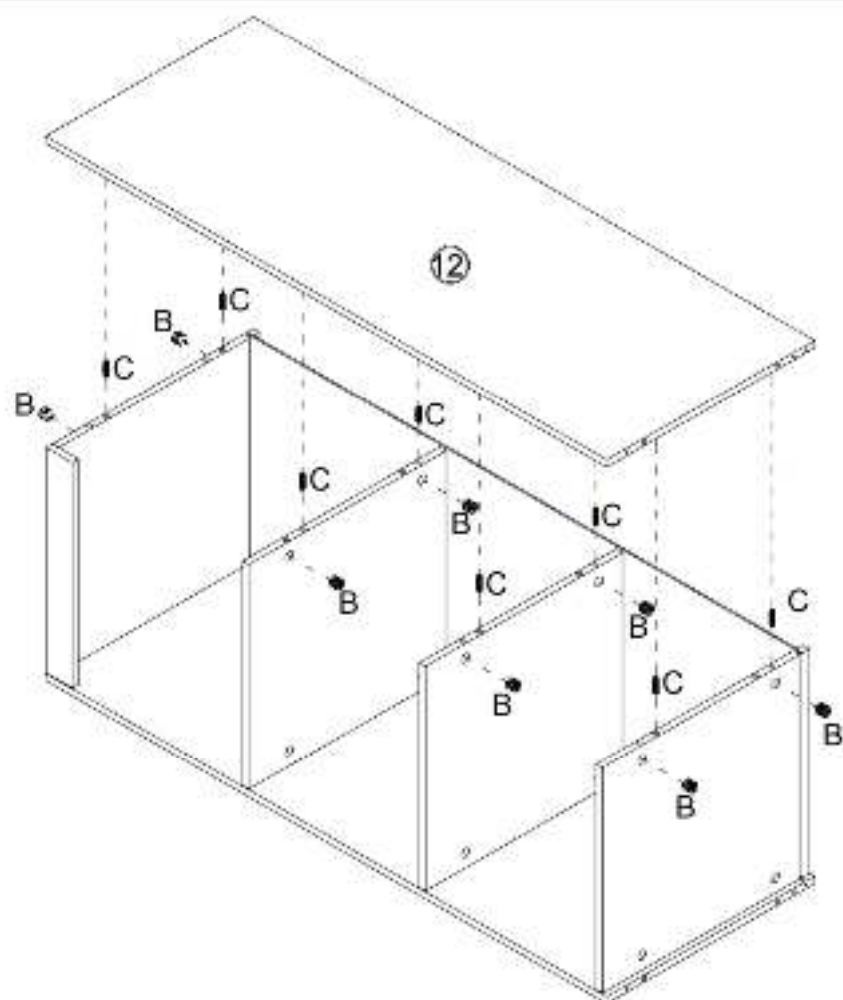
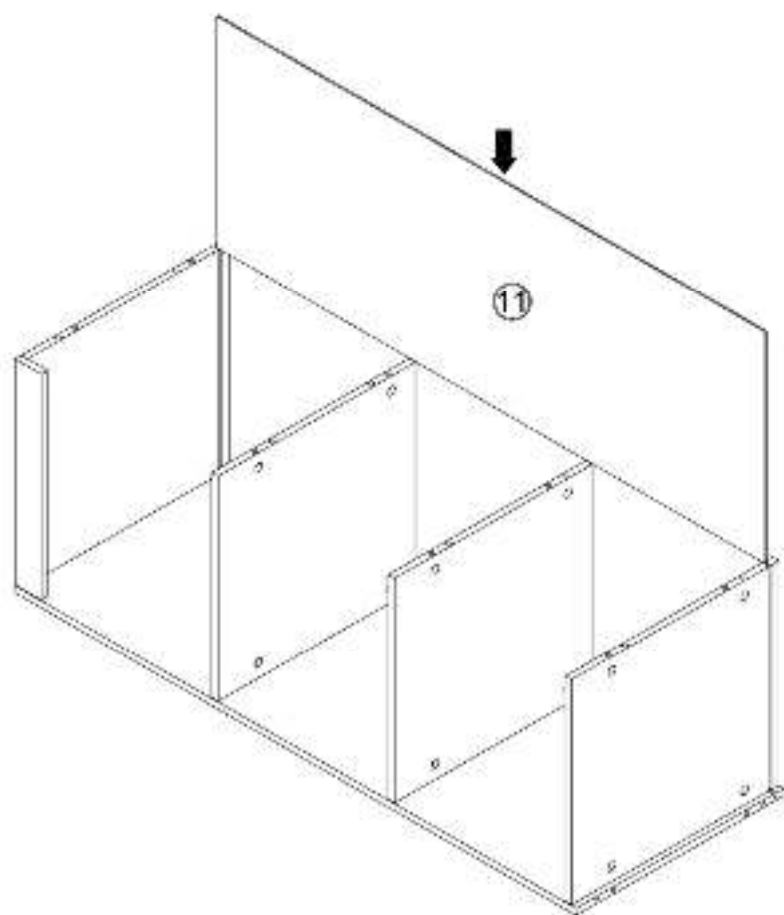


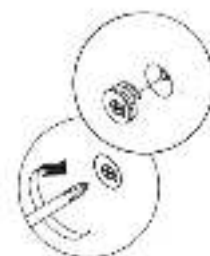
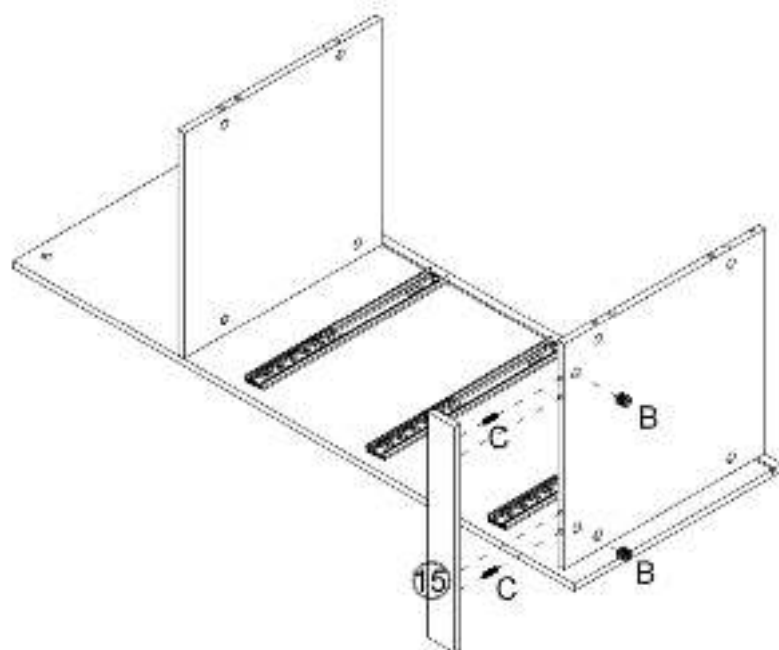
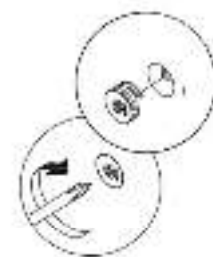
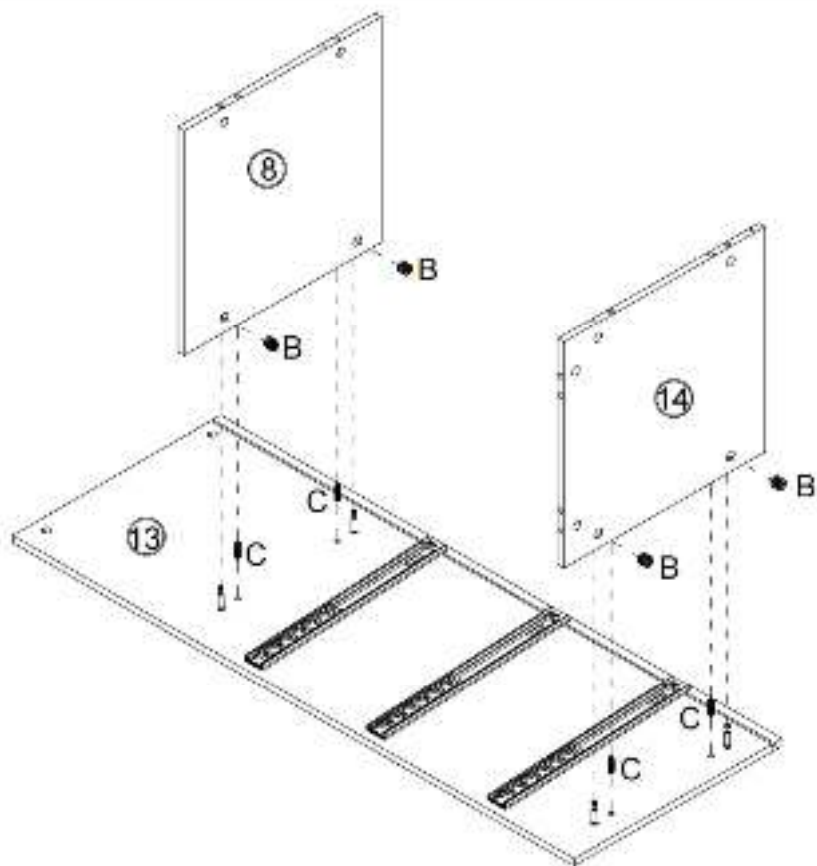


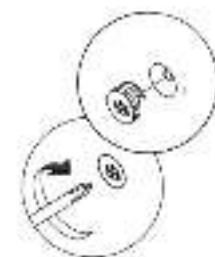
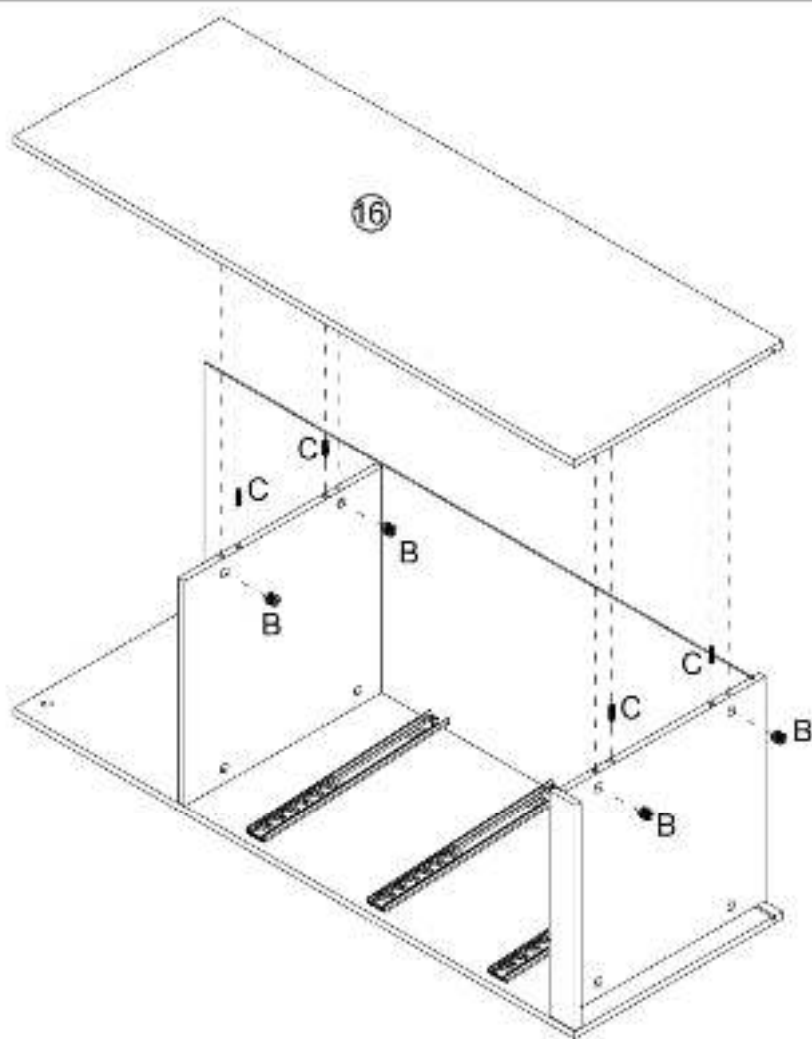
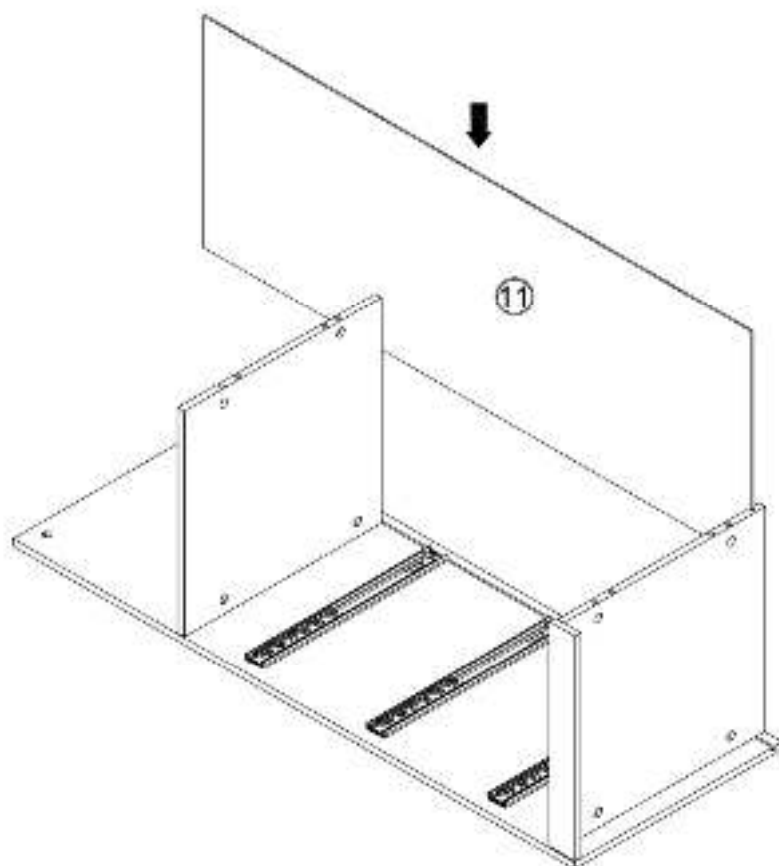
	B*8
	C*8

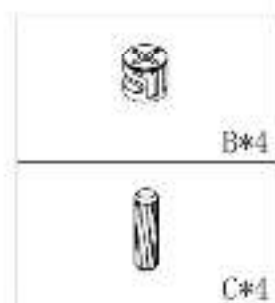
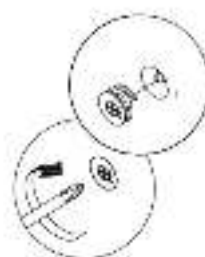
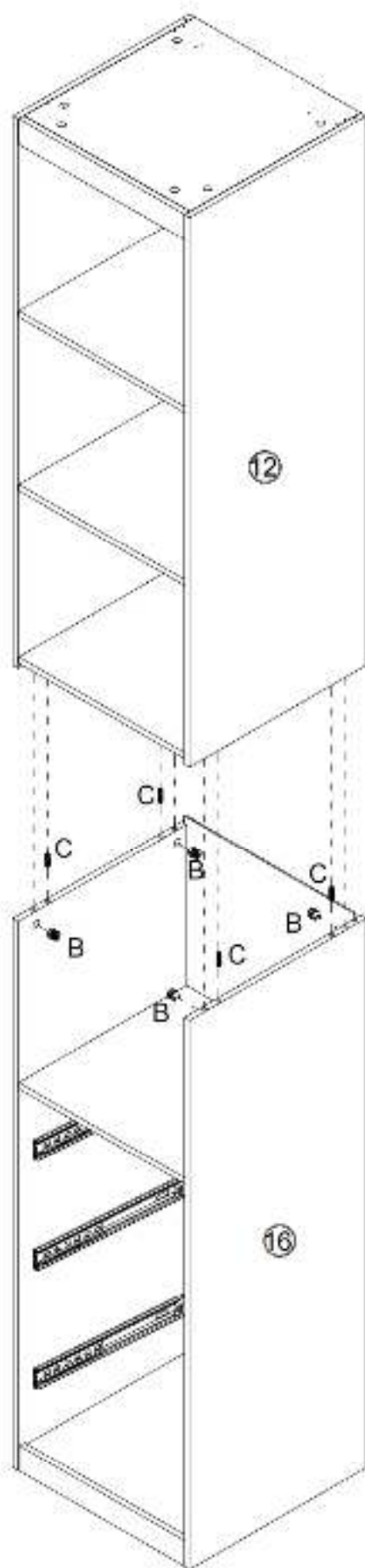


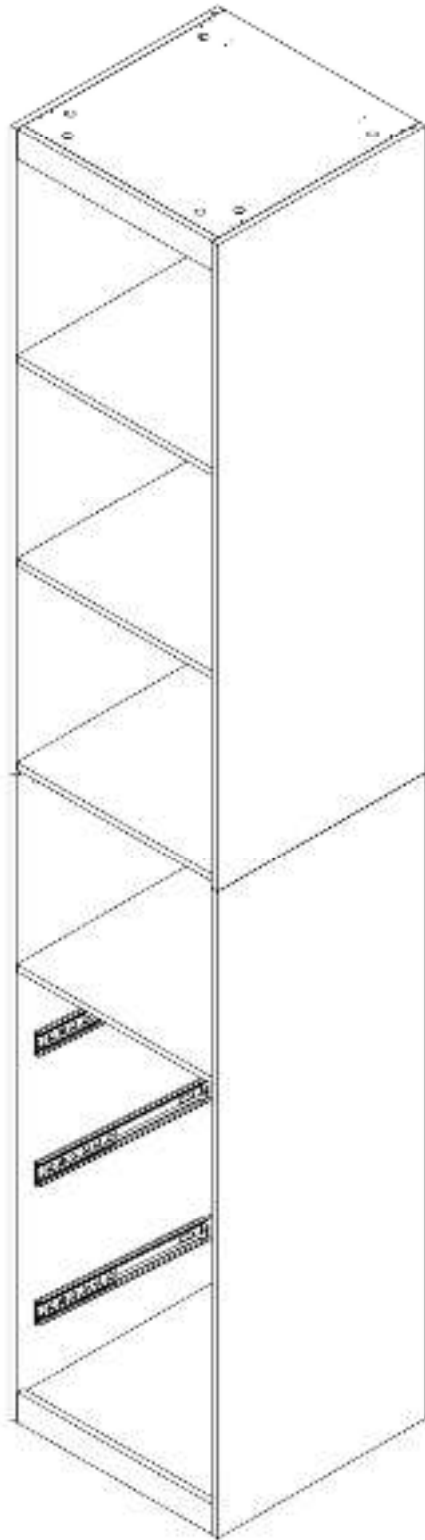
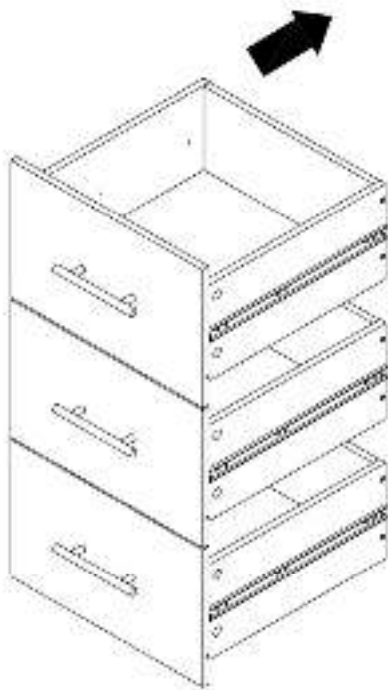
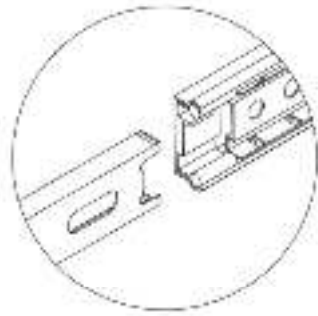
	B*2
	C*2

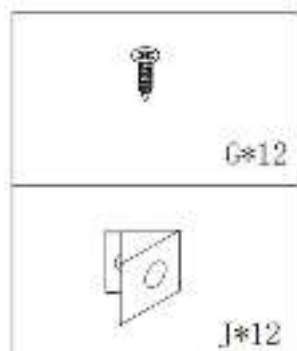
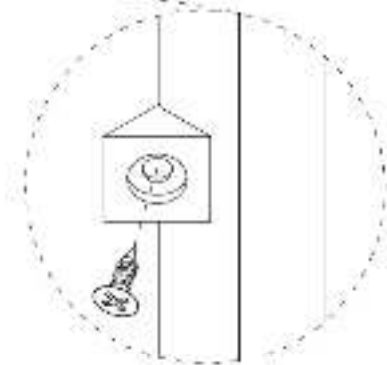
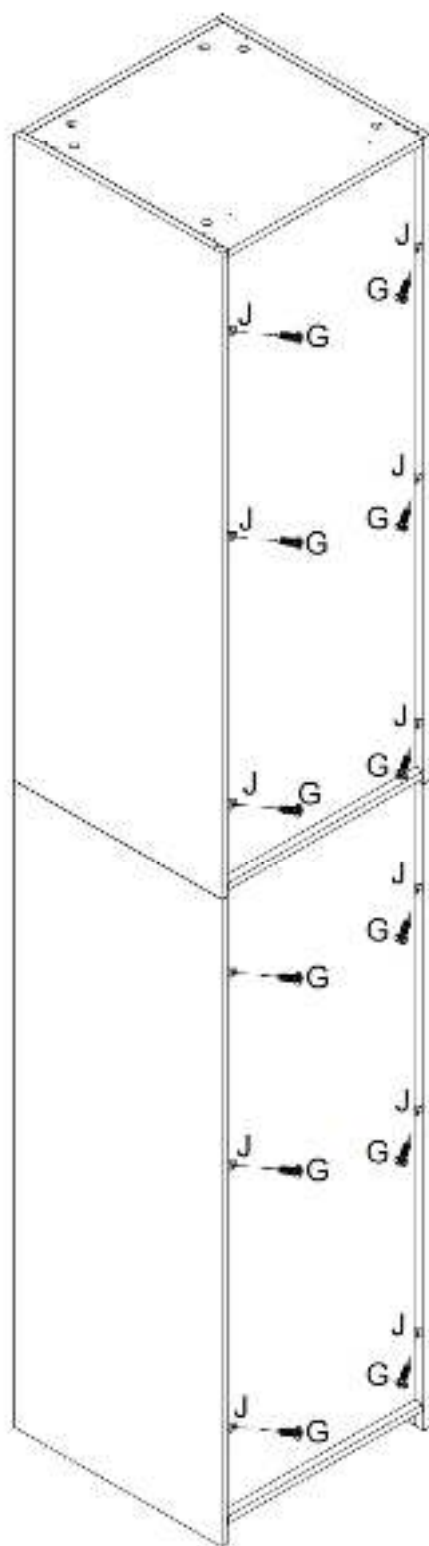












# ⚠ SAFETY FIRST: WALL ANCHORING IS NON-NEGOTIABLE

MURPHY BEDS MUST BE SECURELY ANCHORED TO STRUCTURAL MEMBERS. NEVER MOUNT SOLELY TO DRYWALL. IMPROPER INSTALLATION CAN CAUSE SERIOUS INJURY OR DEATH.

## ⊘ ABSOLUTELY FORBIDDEN HARDWARE



PLASTIC ANCHORS - WILL FAIL

### A. WOOD STUD WALL

#### HOW TO IDENTIFY



KNOCK ON A HOLLOW WALL

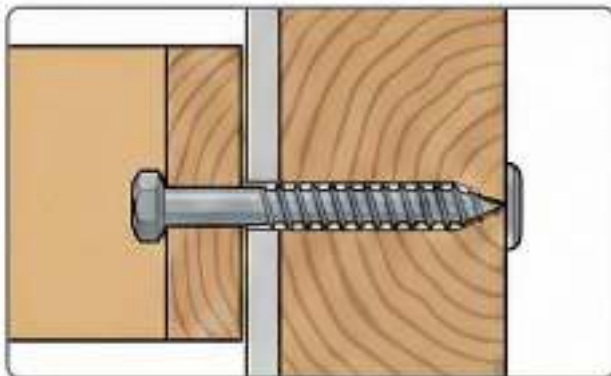
STUD FINDER TOOL (HITS)

STUDS SPACED IS 16" STUD

#### REQUIRED HARDWARE



HEAVY-DUTY SCREWS (MIN. 5/32" DIA., 2.5" LONG)



MUST PENETRATE WOOD STUD CENTER AT LEAST 2.5"

### B. MASONRY/CONCRETE WALL

#### HOW TO IDENTIFY



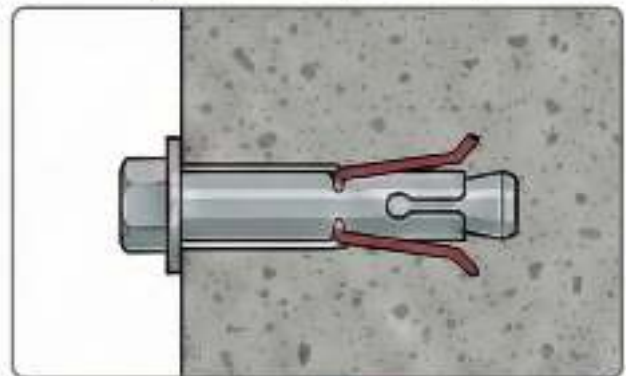
KNOCK ON A SOLID WALL

DRILL BIT CREATES GREY/RED DUST

#### REQUIRED HARDWARE



ALL-METAL EXPANSION BOLTS (MIN. 5/32" DIA., 2.5" LONG)



CLEAN HOLE OF DUST. **DO NOT** USE PLASTIC.

## ✓ FINAL SAFETY CHECKLIST

- ✓  VERIFY STUD CENTER BEFORE DRILLING
- ✓  ENSURE FLUSH WALL FIT (ADJUST BASEBOARD)
- ✓  PERFORM PULL TEST BEFORE MATTRESS LOAD
- ✓ AVOID HIDDEN WIRES/PIPES BEFORE DRILLING
- ✓ REGULARLY INSPECT AND MAINTAIN WALL ANCHORS
- ✓ CONSULT A PROFESSIONAL FOR WALL ASSESSMENT AND OPTIMAL HARDWARE; CUSTOMER ASSUMES ALL INSTALLATION LIABILITY

Wall attached item only:

## A guide to wall mounting and fixings

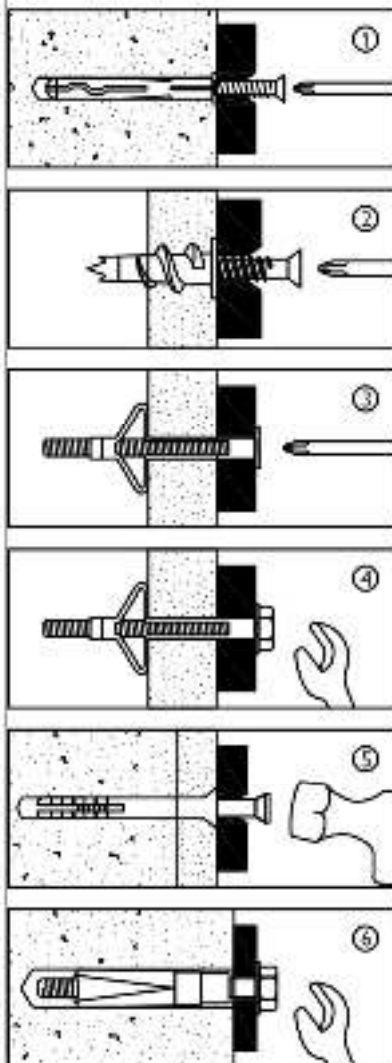


### Warning

Wall fixing screws are not included, since different wall materials require different types of screws / fixings. Please ensure you use the correct screws / fixings for your type of walls and seek professional advice if you are not sure.

Failure of the product due to incorrect fixings is the responsibility of the installer.

**Important:** When drilling into the walls always check that there are no hidden wires or pipes etc.



### Types of walls

You can use one of the following types of wall plug if your walls are made of brick, breezeblock, concrete, stone or wood.

#### 1. Genral Purpose wall plug

Generally aerated blocks should not be used to support heavy loads, use a specialist fitting in this case. For light loads, general - purpose wall plugs can be used.

#### 2. Plasterboard wall plug

For use when attaching light loads on to plasterboard partitions.

#### 3. Cavity Fixing wall plug

For use with plasterboard partitions or hollow wooden doors.

#### 4. Cavity Fixing - Heavy Duty wall plug

For use when fitting or supporting heavy loads such as shelving, wall cabinets and coat racks.

#### 5. Hammer Fixing wall plug

For use with walls stuck with plasterboard. The hammer fixing allows it to be fixed to the wall rather than the plasterboard. Always check the fixing is secure to the retaining wall.

#### 6. Shield Anchor wall plug - Heavy loads

For use with heavier load such as TV and HI-Fi speakers and satellite dishes etc.



### Care and maintenance

**Safety:** Periodically check all fittings and wall fixings to ensure they have not come loose and retighten as necessary.

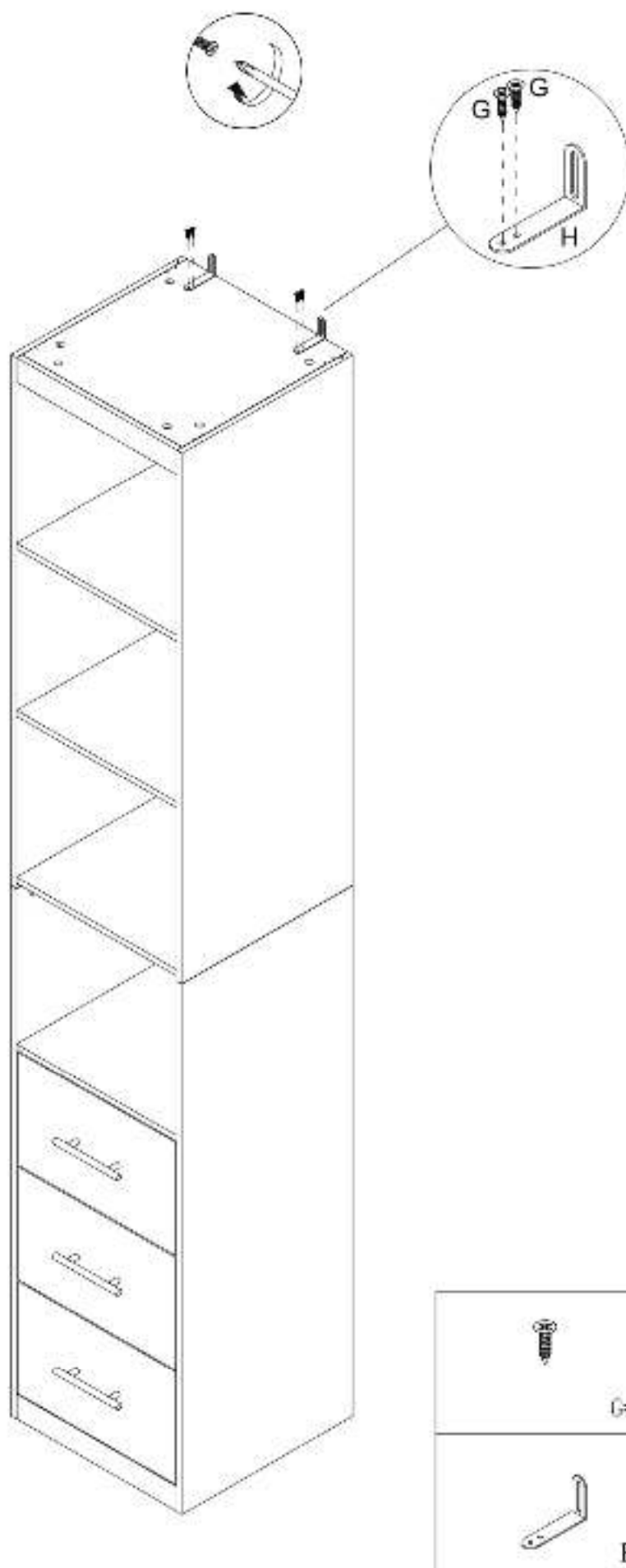
This step is required to prevent the cabinet from tipping over.

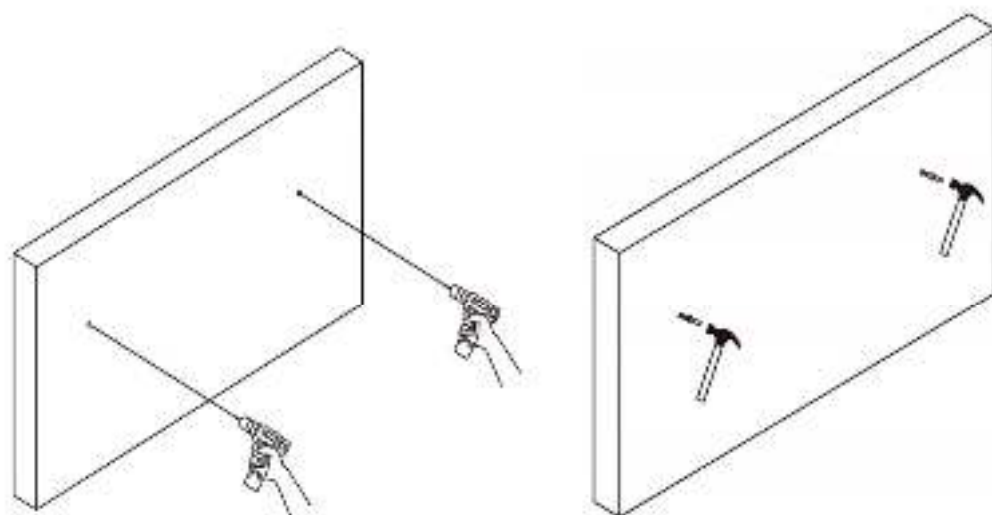


## WARNING

For your safety  
This step requires at least 4 people to complete together. One person is responsible for observing and guiding the moving direction of the cabinet body; two people respectively cooperate on both sides of the cabinet

body to move it to the accurate position; and one person is responsible for keeping it upright to prevent the cabinet body from tipping over.





1\*2



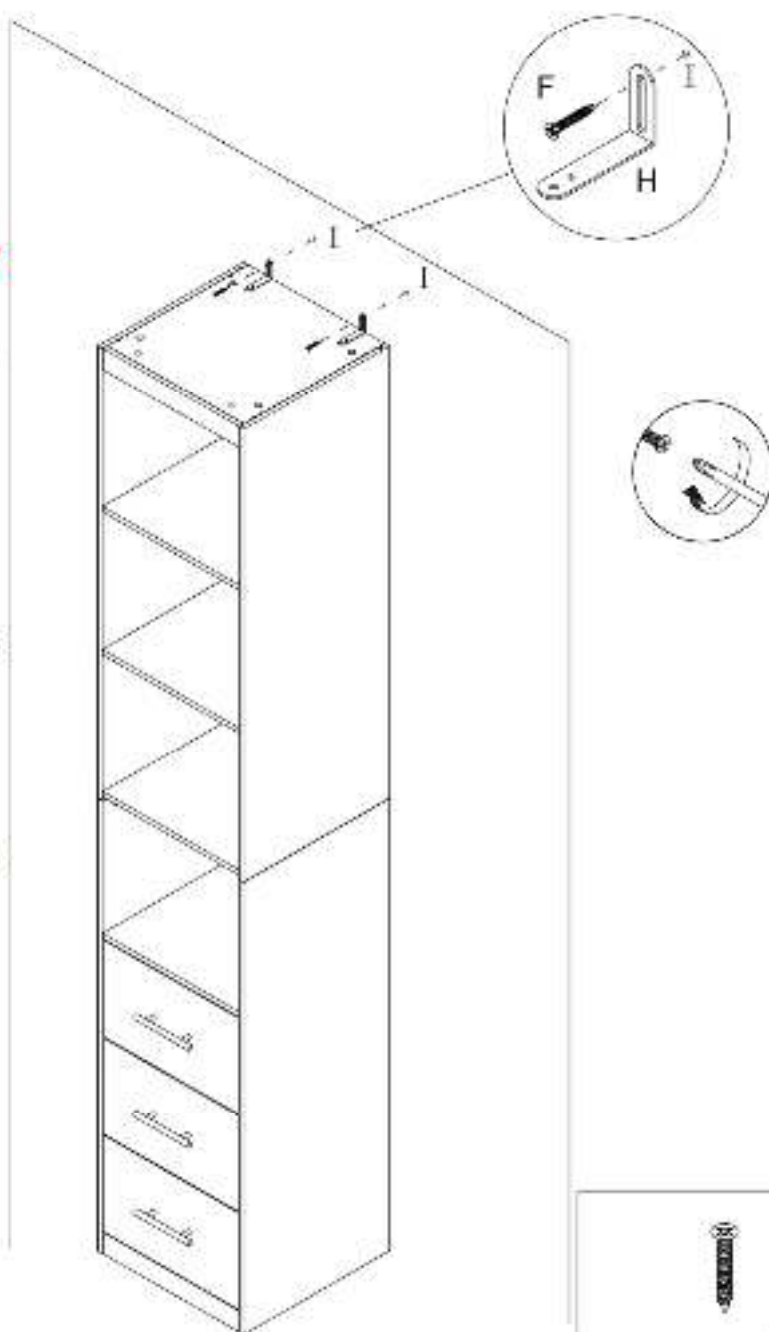
## WARNING:

There is a risk of serious injury due to the wall-mounted bed tipping over.

To prevent the wall-mounted bed from tipping over, it must be permanently secured to a brick wall. If the wall structure is not masonry, qualified professionals are required to perform the wall anchoring.

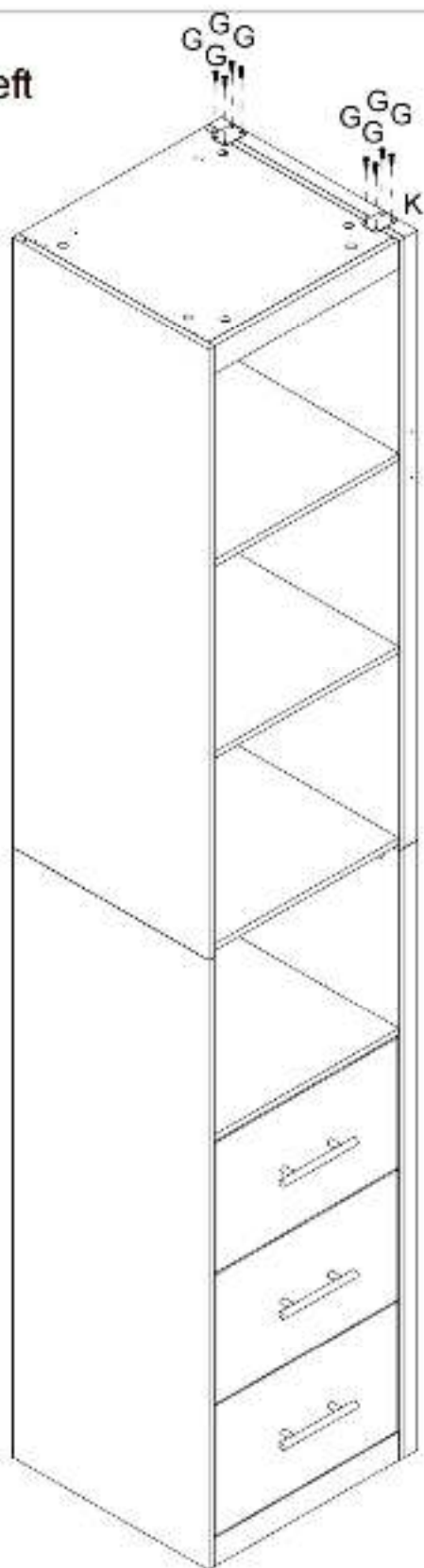
Place two tall cabinets on each side of the bed, ensuring they are flush against the wall, and then mark the drilling positions on the wall.

Install a 0.24-inch drill bit on the electric drill to drill holes with a depth of 2.16 inches.

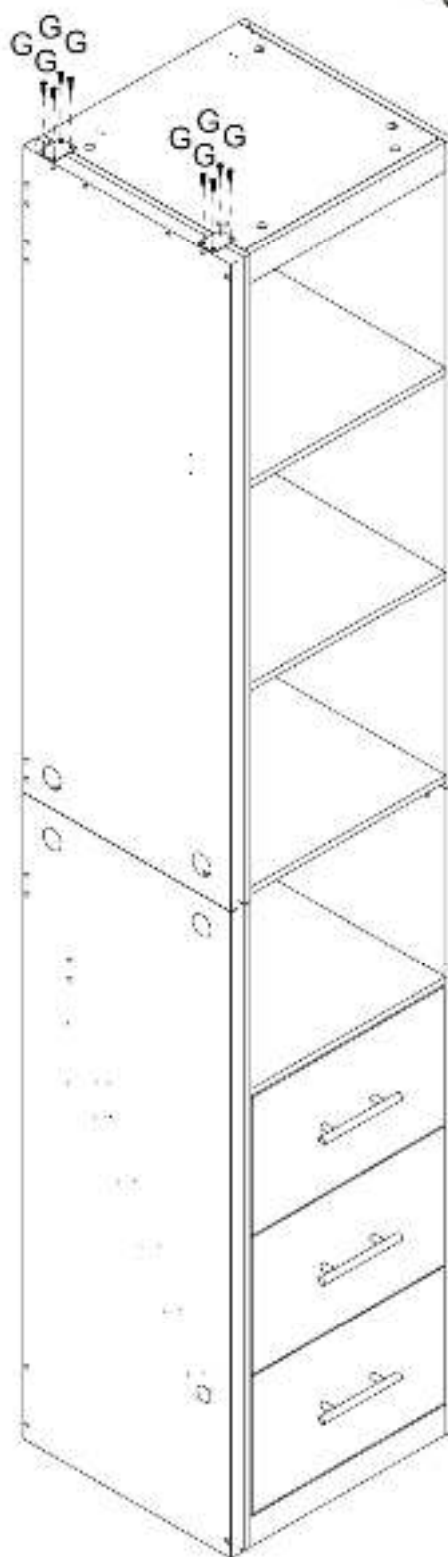


I\*2

left



right



Attach this cabinet to the bed frame. Secure it as shown in the diagram according to the left or right orientation.



G\*8



K\*2

