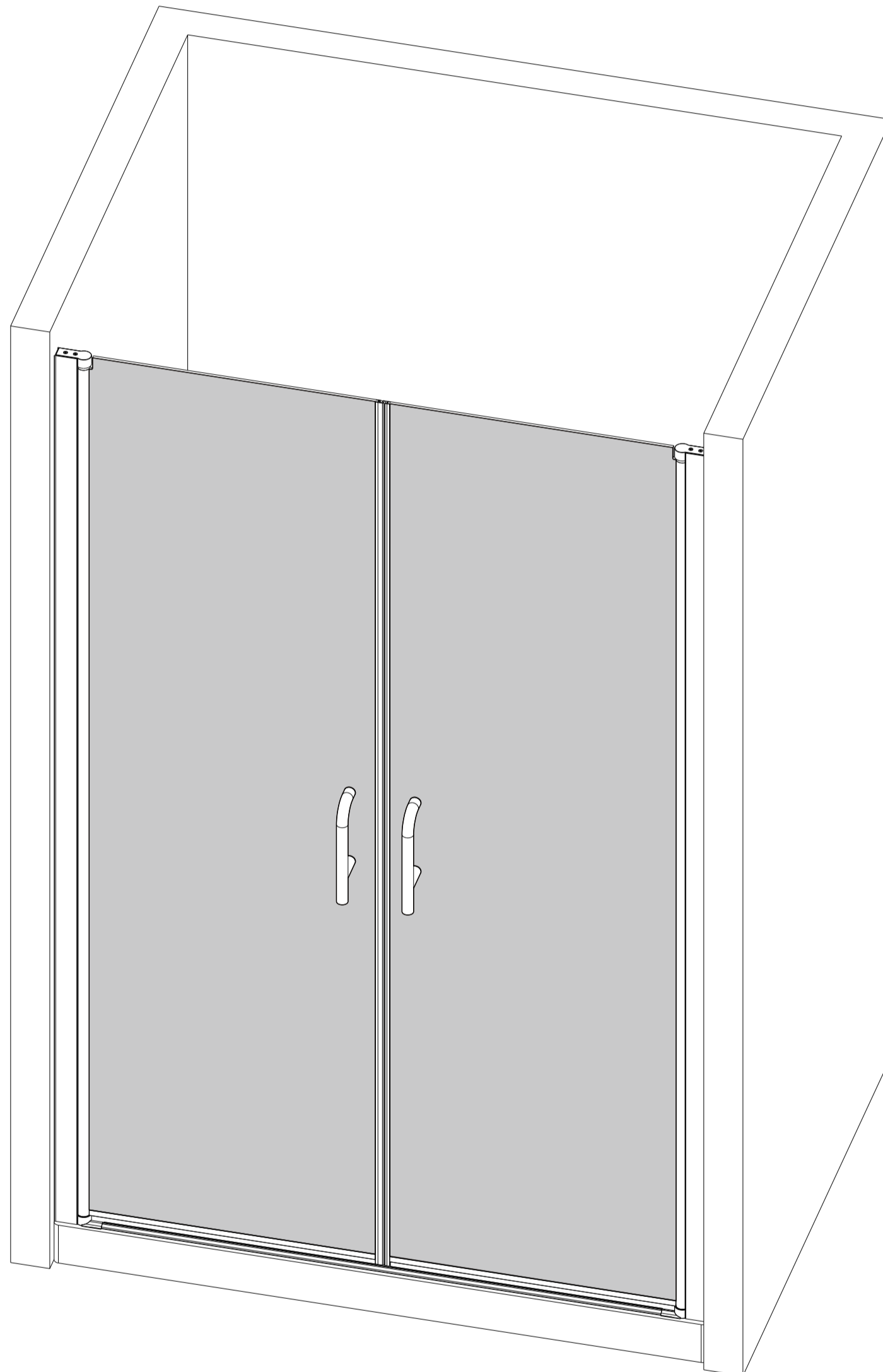


Shower Door Installation Instructions



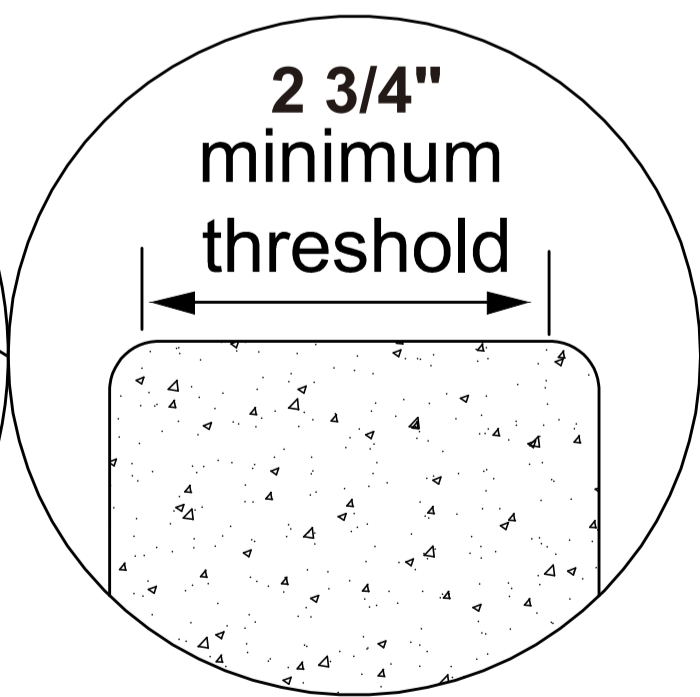
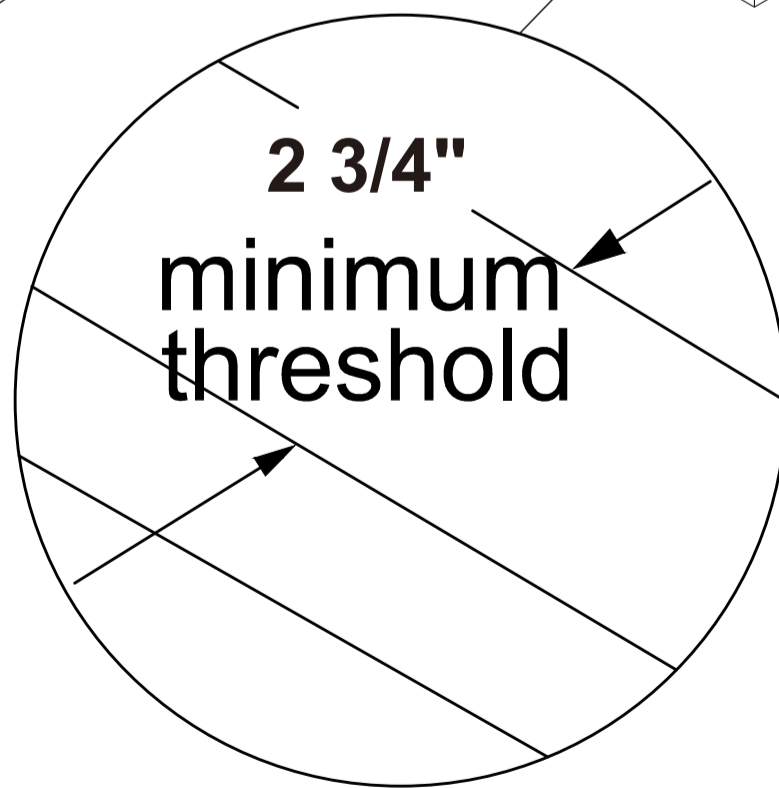
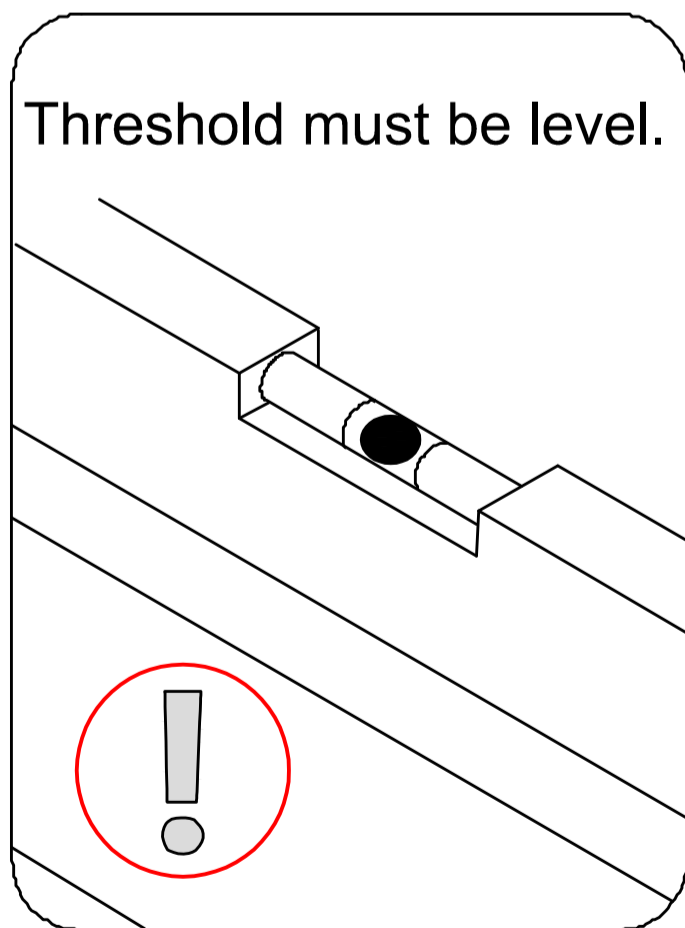
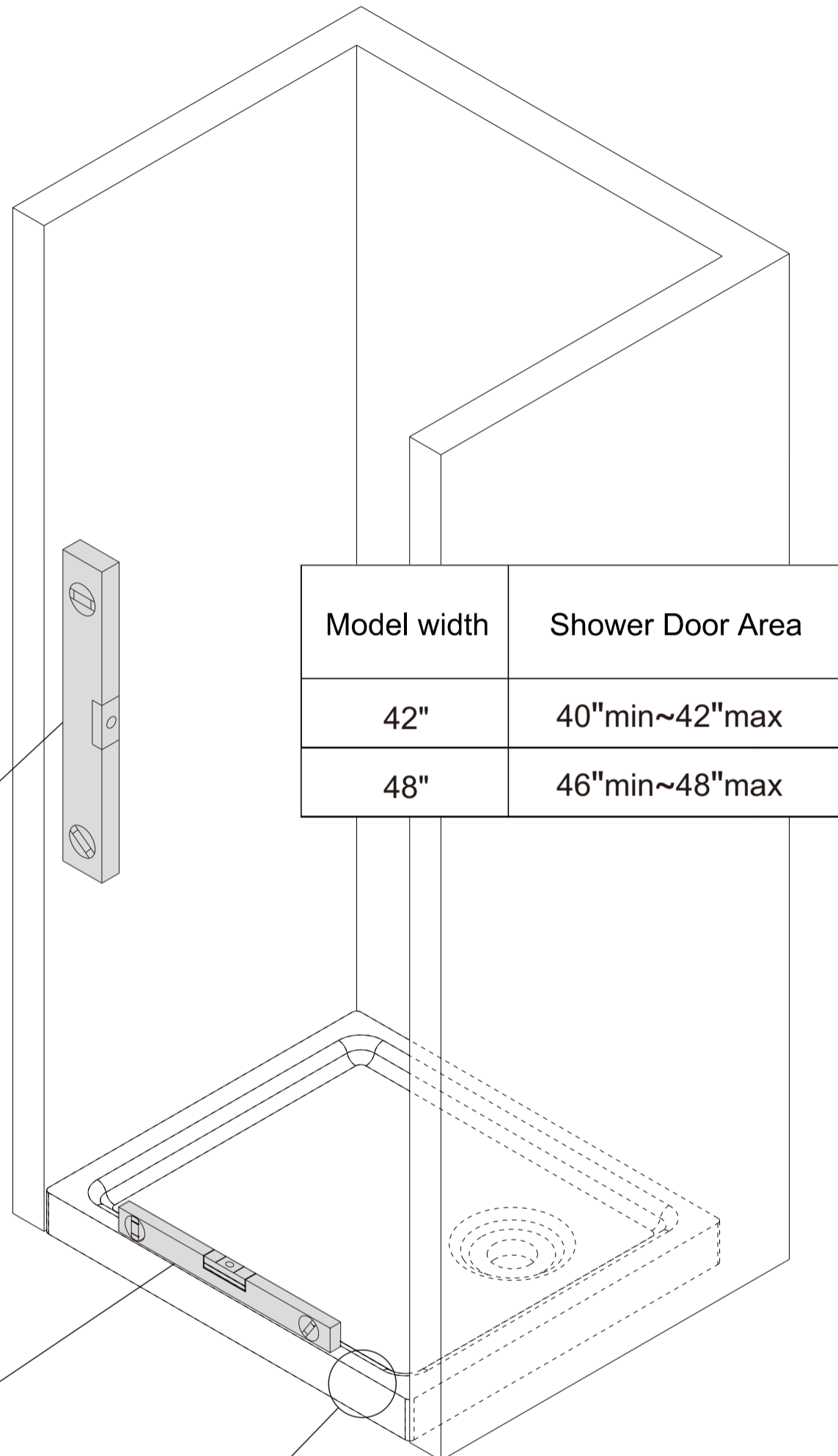
**Please do not return the product to the store.
Contact us with any questions.**

Model Specific Preparation

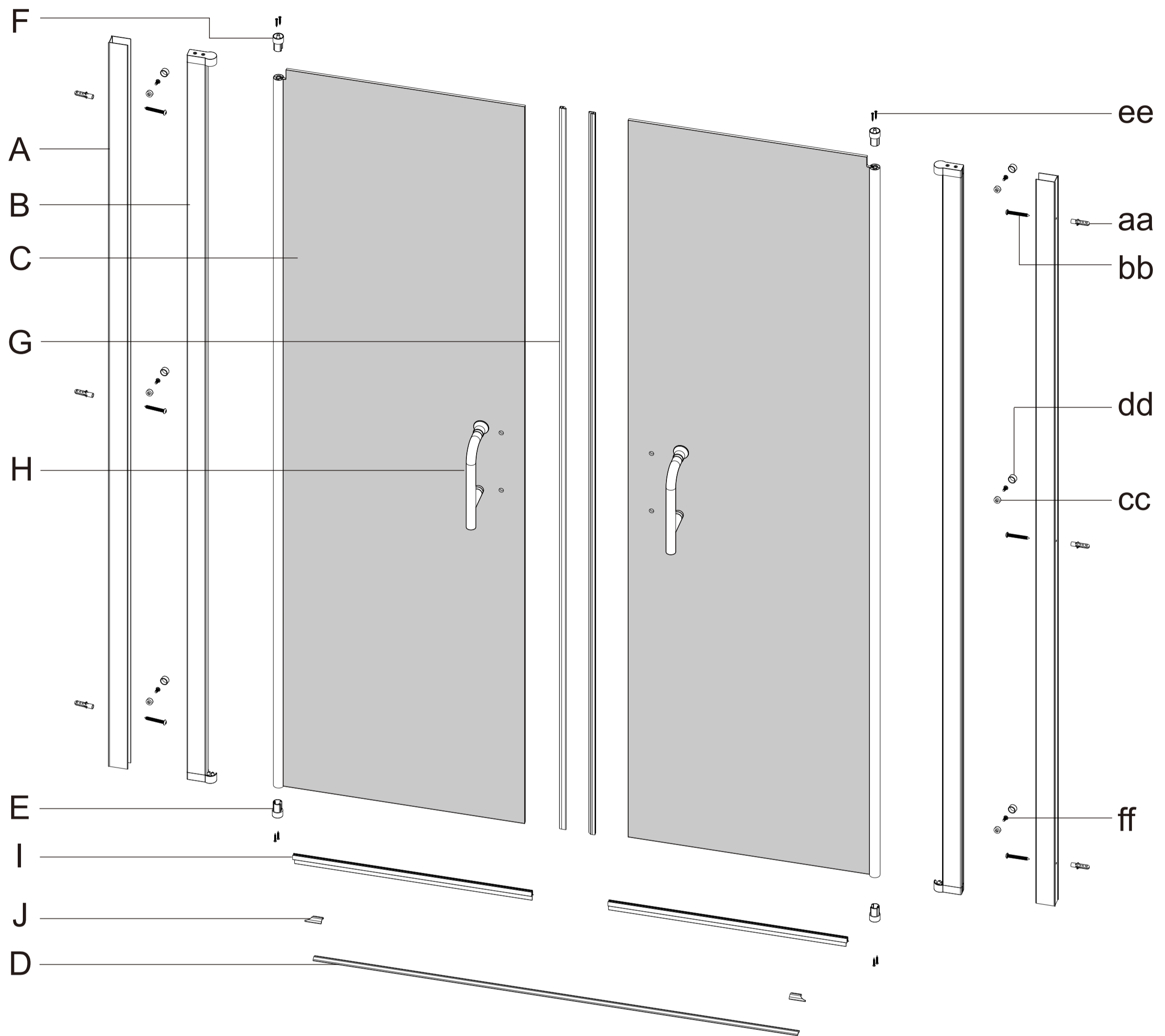
! REQUIRED:

Verify threshold and wall with a level.

1/4"(6mm) Maximum out of plumb adjustment from top to bottom



PACKAGE CONTENT



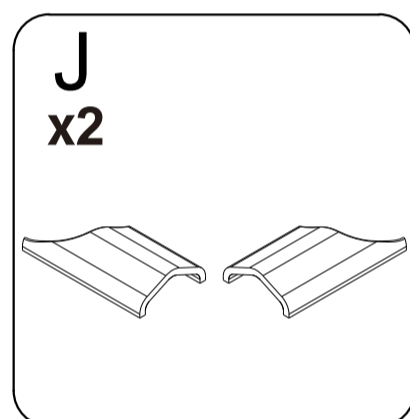
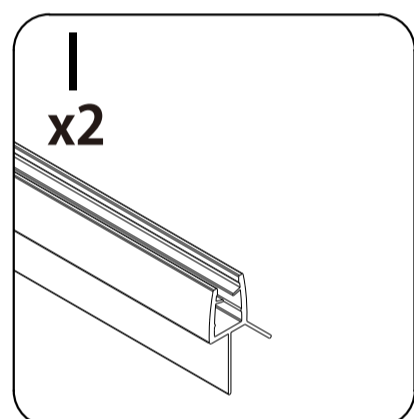
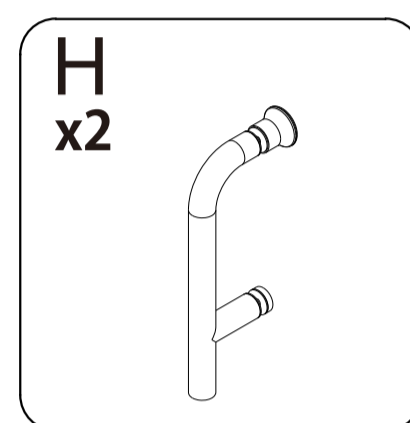
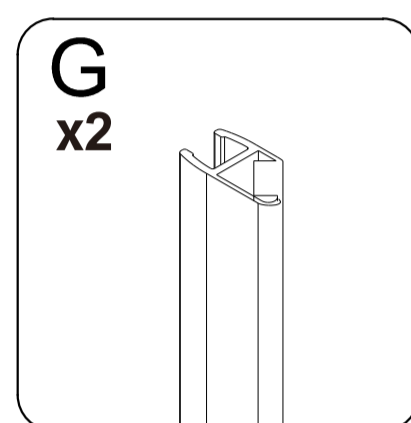
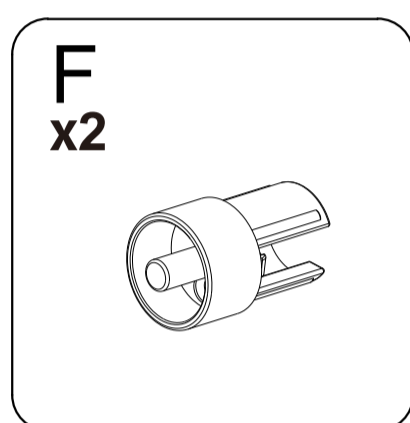
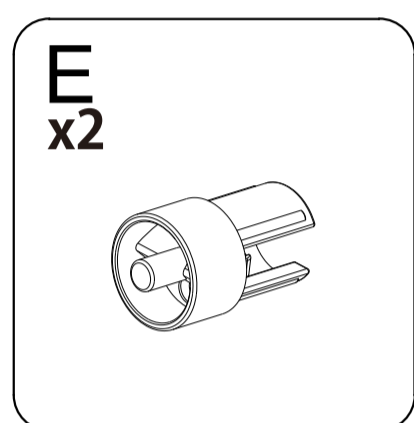
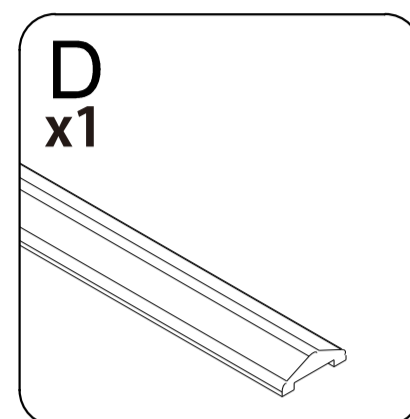
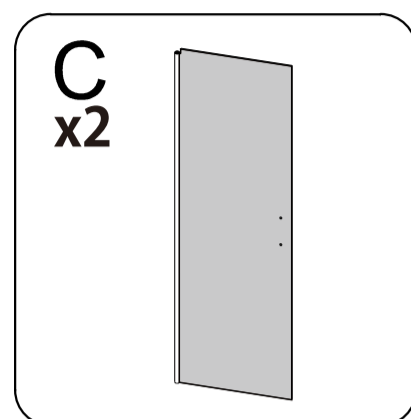
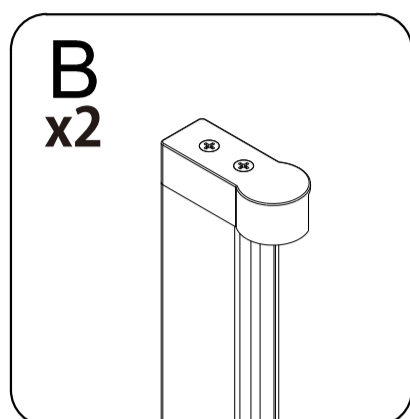
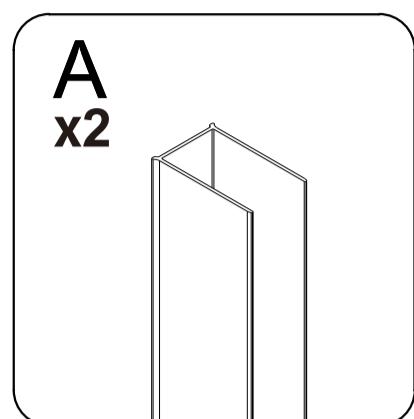
PACKAGE CONTENT

PART#	DESCRIPTION	QTY	PART#	DESCRIPTION	QTY
A	Wall Jamb	2	F	Top pivot sleeve	2
B	Upright Profile	2	G	Magnetic Strip	2
C	Glass Door	2	H	Handle	2
D	Alu. Threshold	1	I	Bottom Anti-Water Strip	2
E	Bottom pivot sleeve	2	J	Connector	2


NOTE

Inspect all parts for missing prior to installation!
Contact us for any part missing.

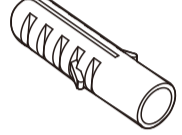
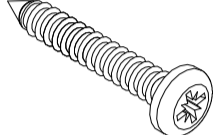

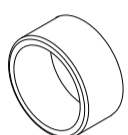
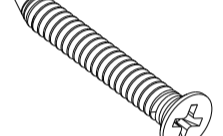

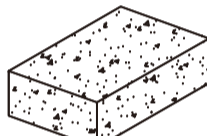

PACKAGE CONTENT



HARDWARE CONTENT



Additional spare parts are included.

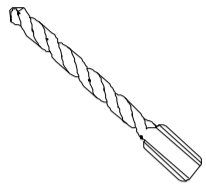
<p>aa</p>  <p>Wall anchor Ø6x28mm 7 pcs</p>	<p>bb</p>  <p>Screw ST4X35mm 7 pcs</p>	<p>cc</p>  <p>Washer Φ10XΦ5X1.0 6 pcs</p>	<p>dd</p>  <p>Screw cap 6 pcs</p>
<p>ee</p>  <p>Screw ST3X20mm 9 pcs</p>	<p>ff</p>  <p>Metric Screw ST4X12mm 6 pcs</p>	<p>gg</p>  <p>Plastic spacer 20mm(3/4") 2 pcs</p>	<p>hh</p>  <p>Positioning Plate 1 pcs</p>

NOTE

Inspect all parts for missing prior to installation!
Contact us for any part missing.

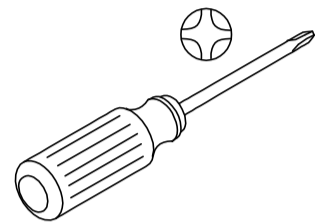
TOOLS REQUIRED

Drill Bits

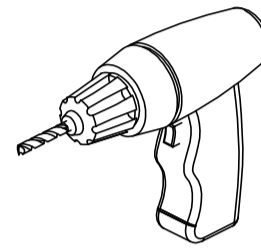


Ø1/8" & Ø1/4" (3&6mm) dia.
HSS

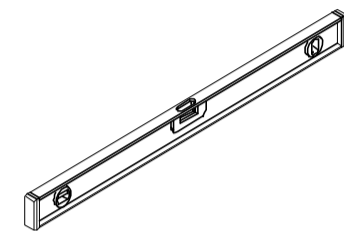
Phillips screw driver



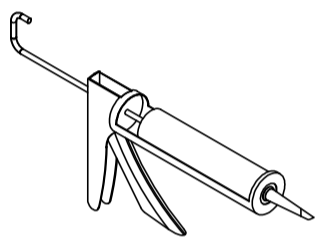
Electric hand drill



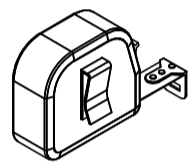
Level



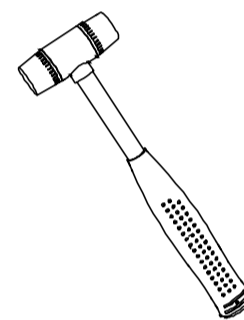
Caulking gun



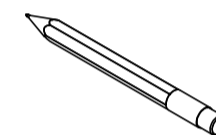
Measuring Tape



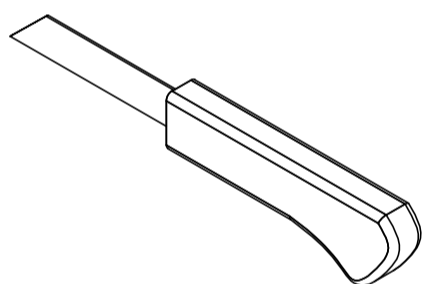
Soft Head Hammer



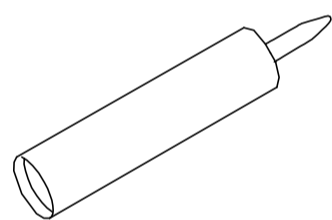
Marking Pencil



Utility Knife



Sealant



MASONRY DRILL BIT FOR TILE
Ø6mm



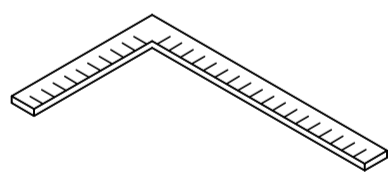
Safety Glasses



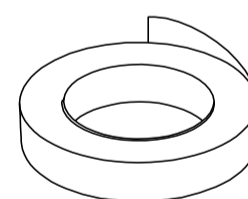
Gloves



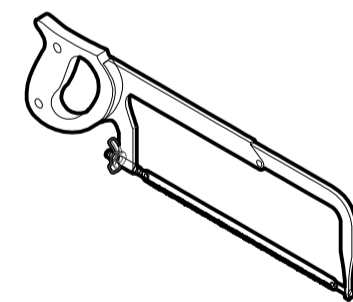
Carpenter's Squarer



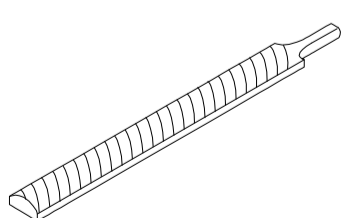
Masking or painter's tape



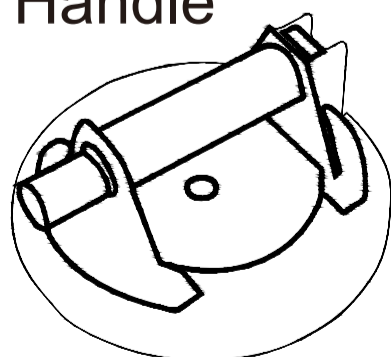
Hack Saw



Metal File



Glass suction Handle



SAFETY INFORMATION

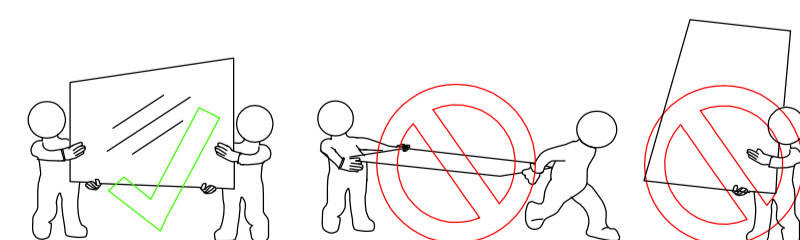
CAUTION

Please carefully read the following important safety information before handling or installing this shower door. There is a risk of serious injury while handling this product.

To minimize these risks, please note:

- Always wear safety glasses and gloves while handling.
- Always follow the installation instructions.
- Inspect glass for damage before installation.
- Extreme caution should be taken while handling the glass during installation as the tempered glass may shatter if in contact with a hard surface.
- Do not cut or modify the tempered glass as it will shatter if cut.
- Carefully remove product from packaging and keep packaging until installation is complete.
- Inspect all parts for damage or missing; if there is damage or part missing to the unit prior to installation, please contact customer service at the number provided in this guide.
- Cover the drain with tape to prevent the loss of small parts.
- The shower base and finished walls should be installed before beginning the shower door installation.
- During the installation, protect the shower floor with a drop cloth to avoid damage.
- This product should be installed by two people who are familiar with construction requirements. Professional installation is recommended!
- Keep this installation manual for future reference.

NOTE: Two people should perform this installation.

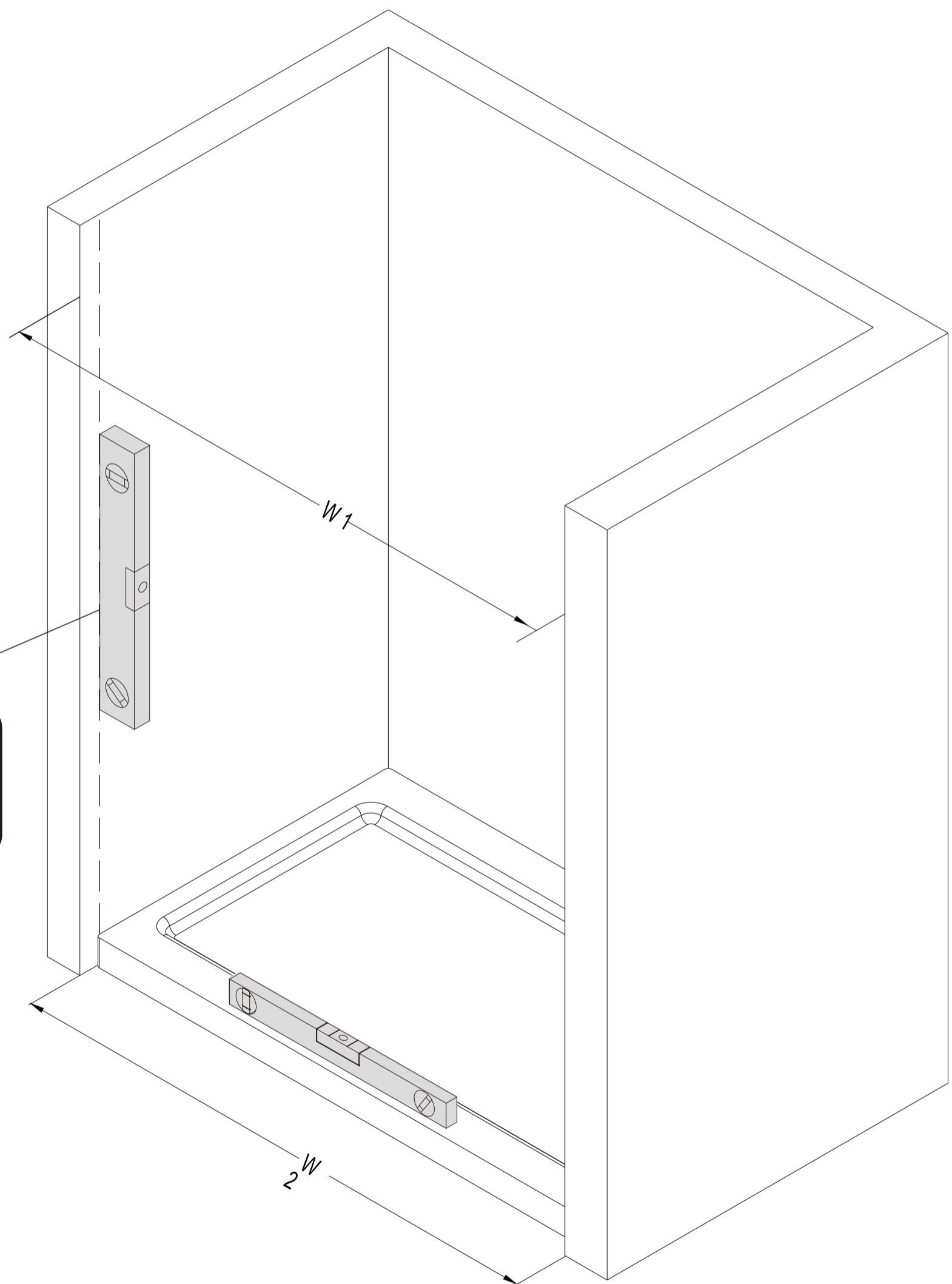


1 Measure the finished opening width.

NOTE

- 1. Measure the finished opening width at the bottom and at the model height.
- Use these dimensions as "W1" (top) and "W2"(bottom) in step #2.
- 2. Also check the threshold for level and the walls for plumb.

1/4"(6mm) Maximum out of plumb adjustment from top to bottom



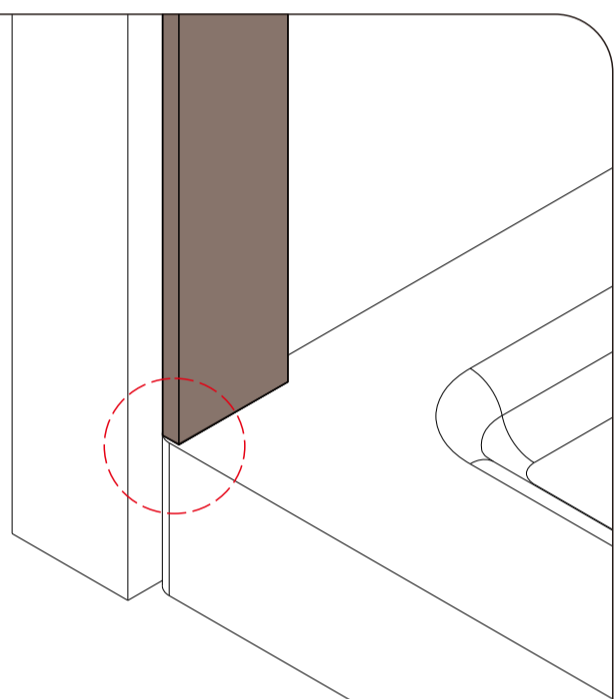
_____ Finished opening top (W1)
_____ Finished opening bottom (W2)

2 Mark the location of **Wall Jamb (A)**

NOTE

1. Place the **Positioning plate(hh)** align the edge of the shower tray(threshold) as Fig.a .
2. Mark the **Wall Jamb (A)** hole positions with a pencil as Fig.b .

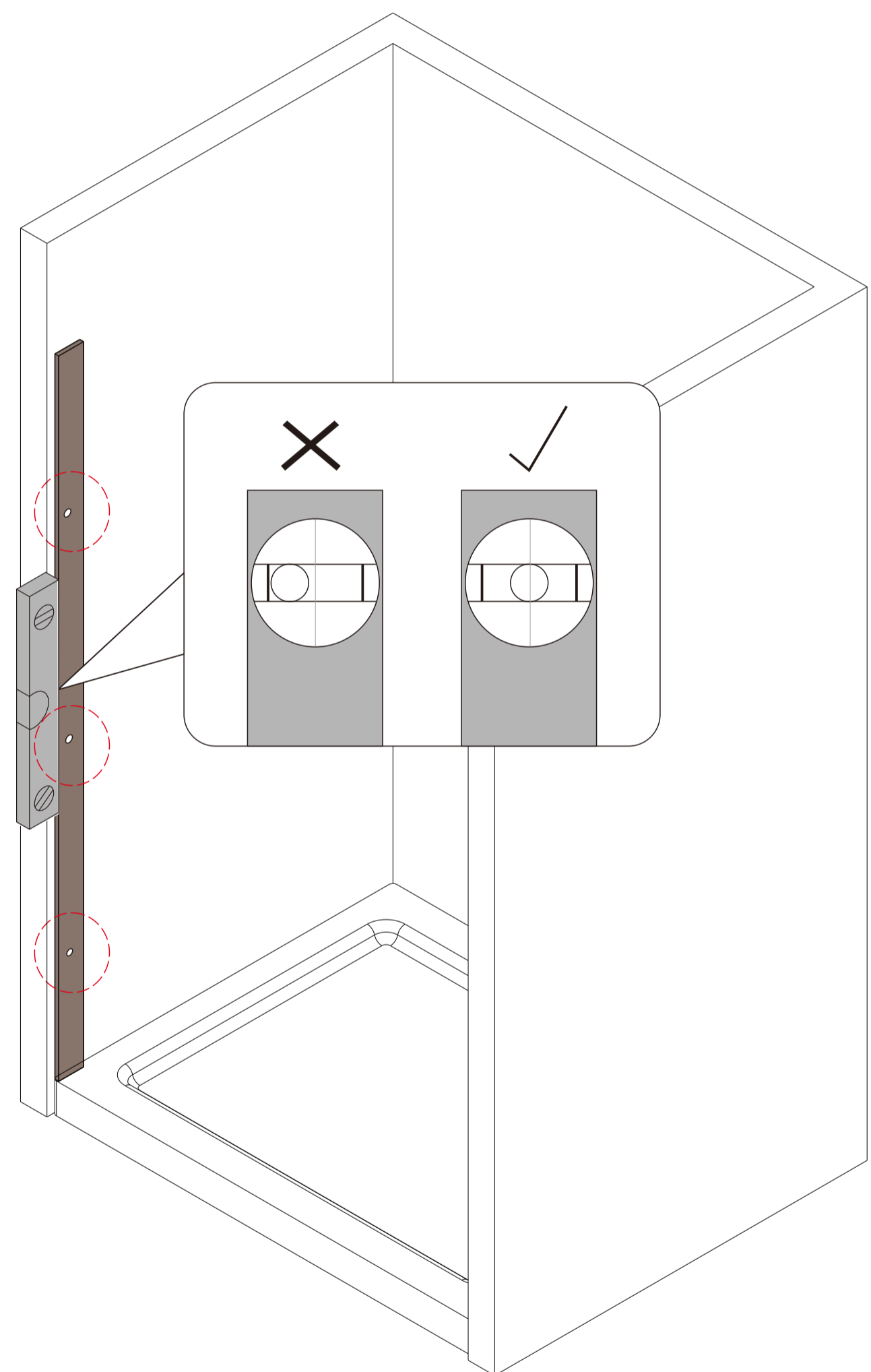
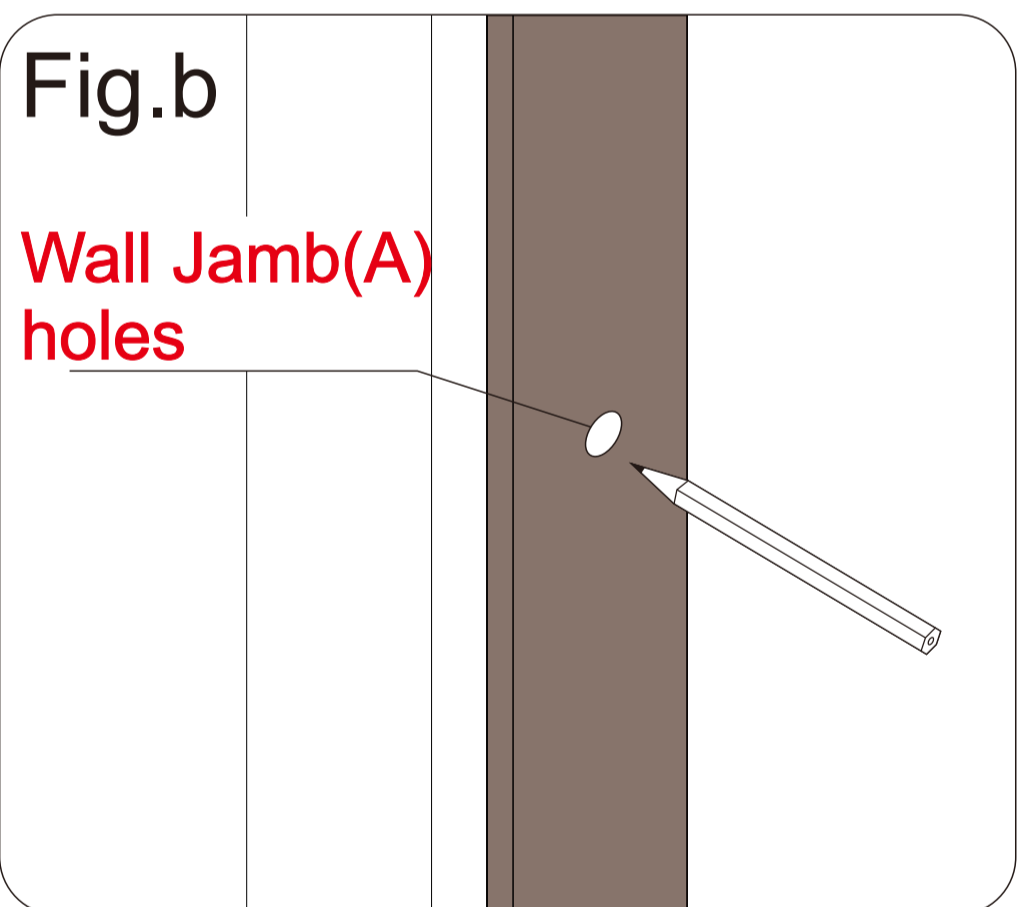
Fig.a



Align model edges

Fig.b

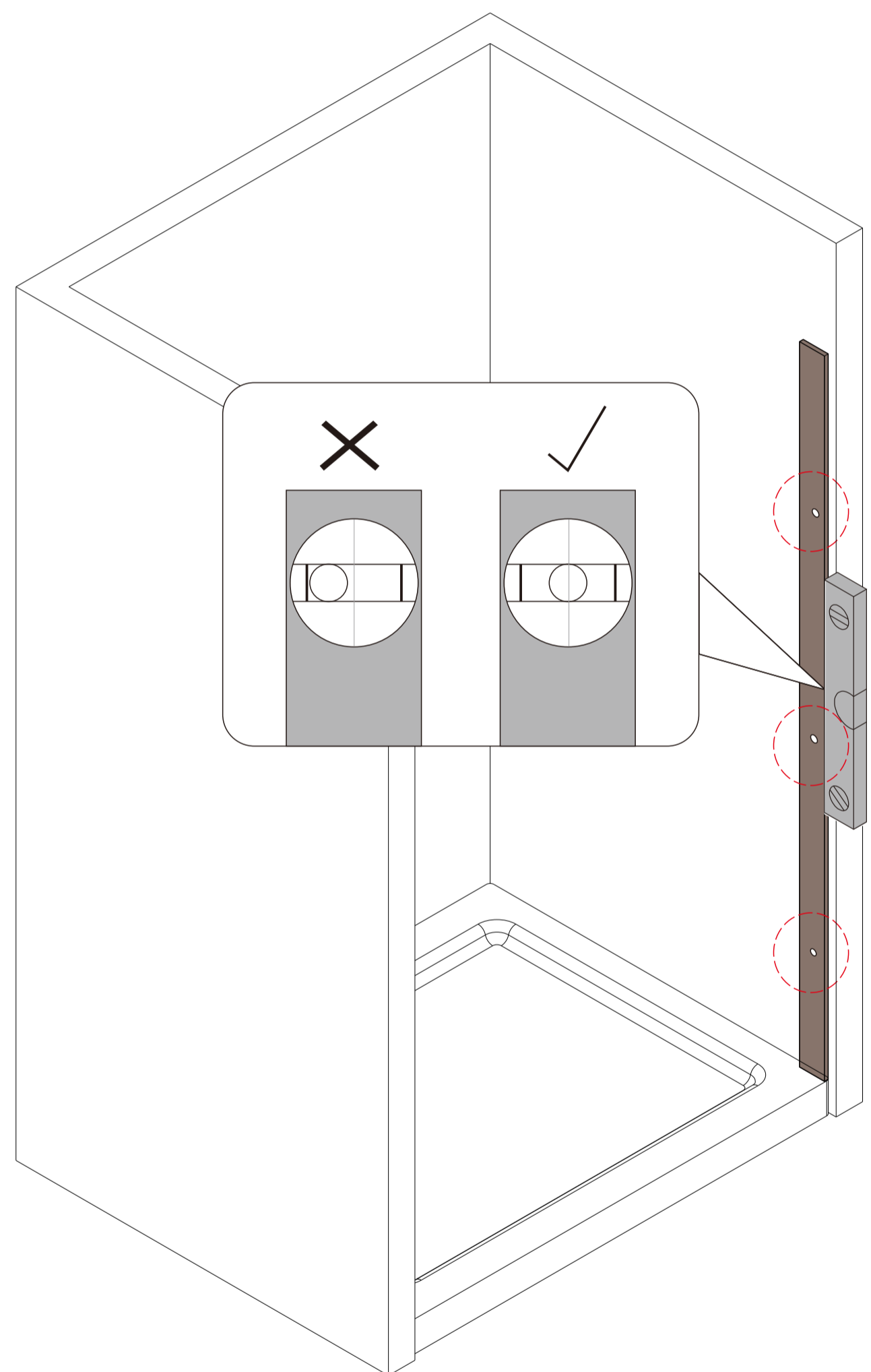
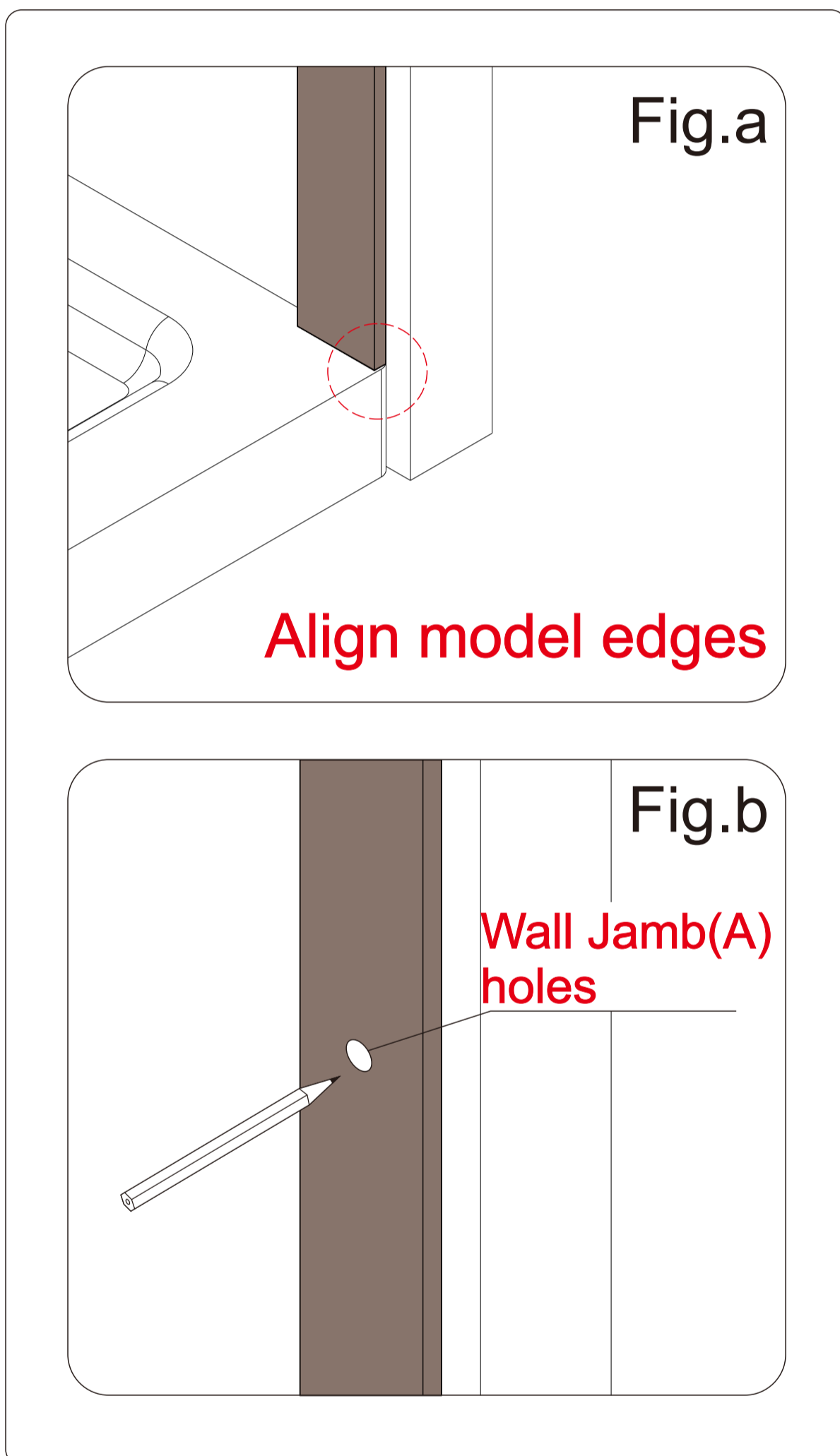
Wall Jamb(A)
holes



3 Mark the location of **Wall Jamb (A)**

NOTE

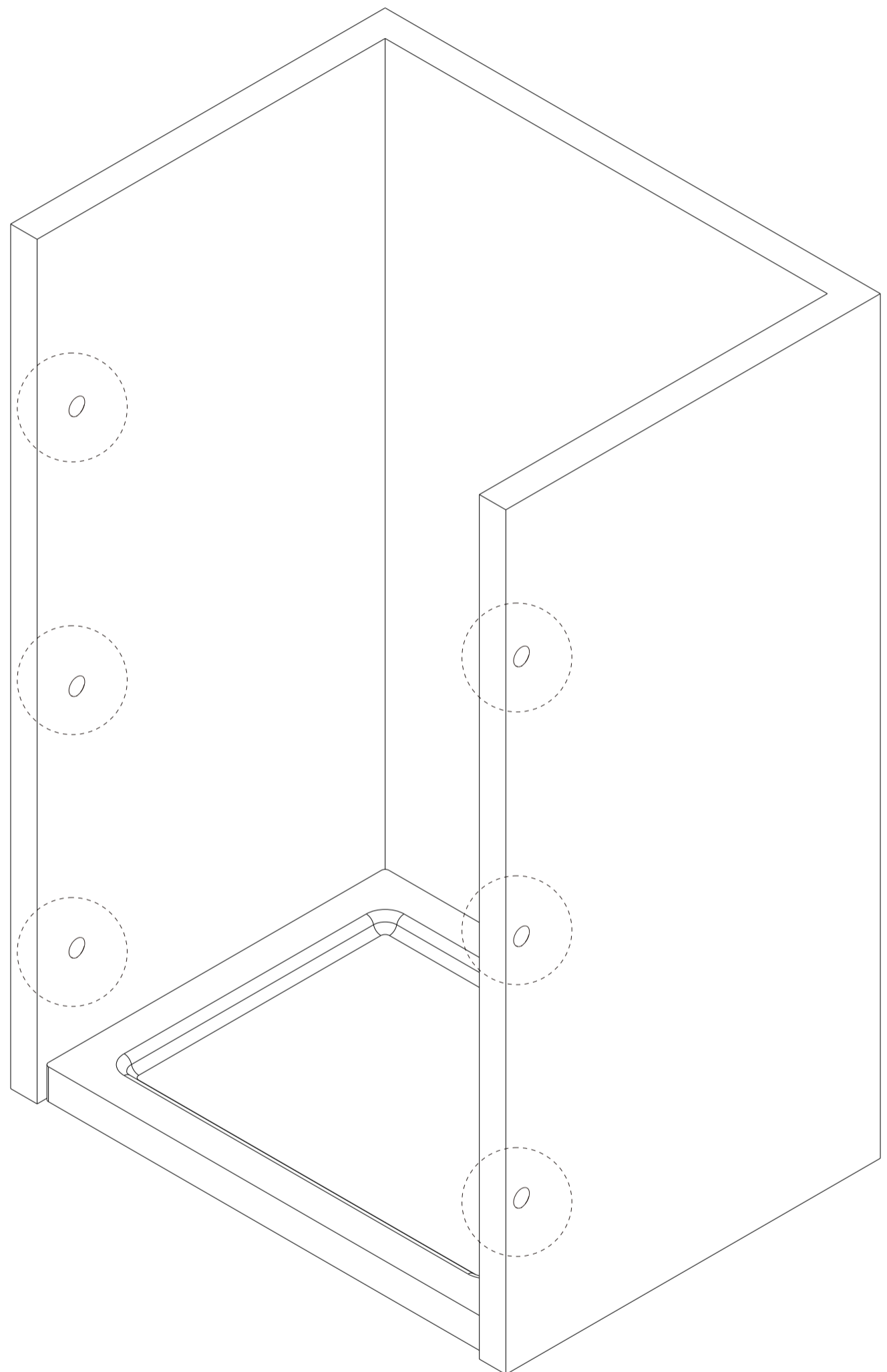
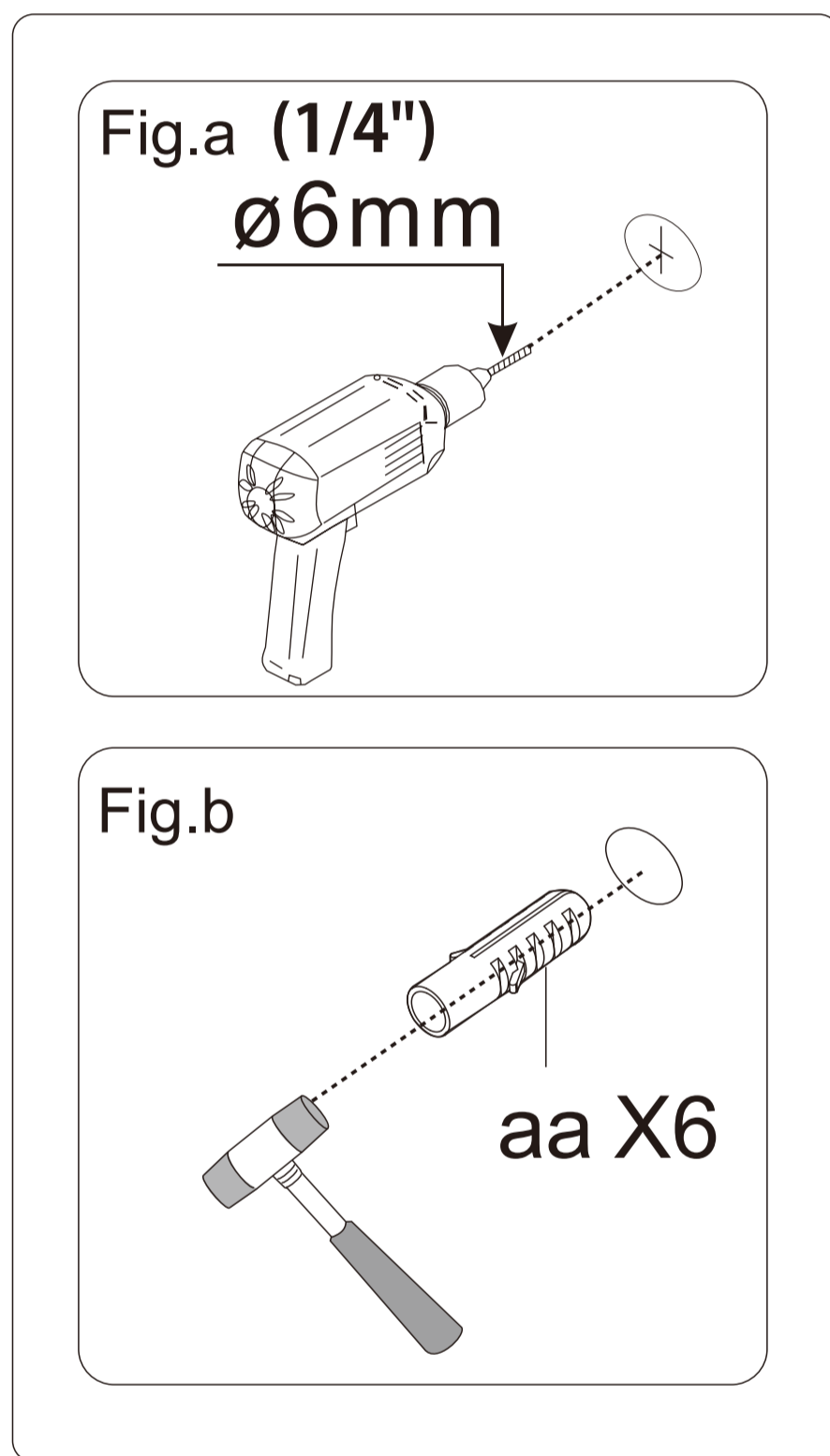
1. Place the **Positioning plate(hh)** align the edge of the shower tray(threshold) as Fig.a.
2. Mark the **Wall Jamb (A)** hole positions with a pencil as Fig.b .



4 Drill screw holes for **Wall Jamb(A)** and insert in the **Wall Anchor(aa)**.

NOTE

1. Drill holes with $\Phi 6\text{mm}$ (1/4") drill bit as Fig.a .
2. Insert **Wall Anchors(aa)** as Fig.b .

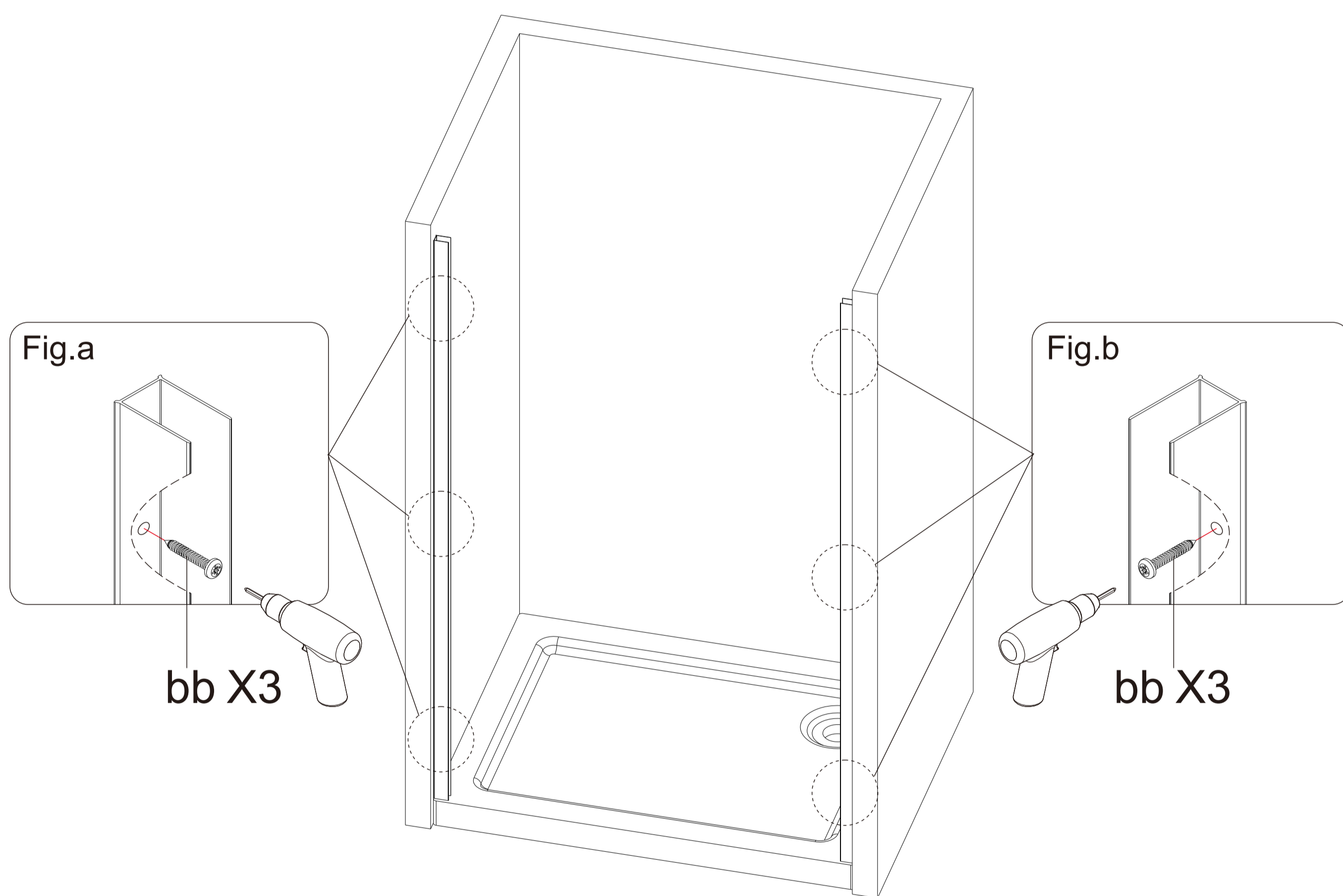


NOTE

- If a Stud is present behind the wall:
drill $\Phi 1/8"$ (3mm) pilot holes into the stud and use the ST4.0x35mm **Screws(bb)**
OR
- If NO Stud is present behind the wall:
drill $\Phi 1/4"$ (6mm) holes and insert the **Wall Anchors(aa)**
and use the ST4.0x35mm **Screws(bb)**.

5 Fixed **Wall Jamb(A)**

NOTE Attach the **Wall Jamb(A)** to the wall with **Screws (cc)** as Fig.a.

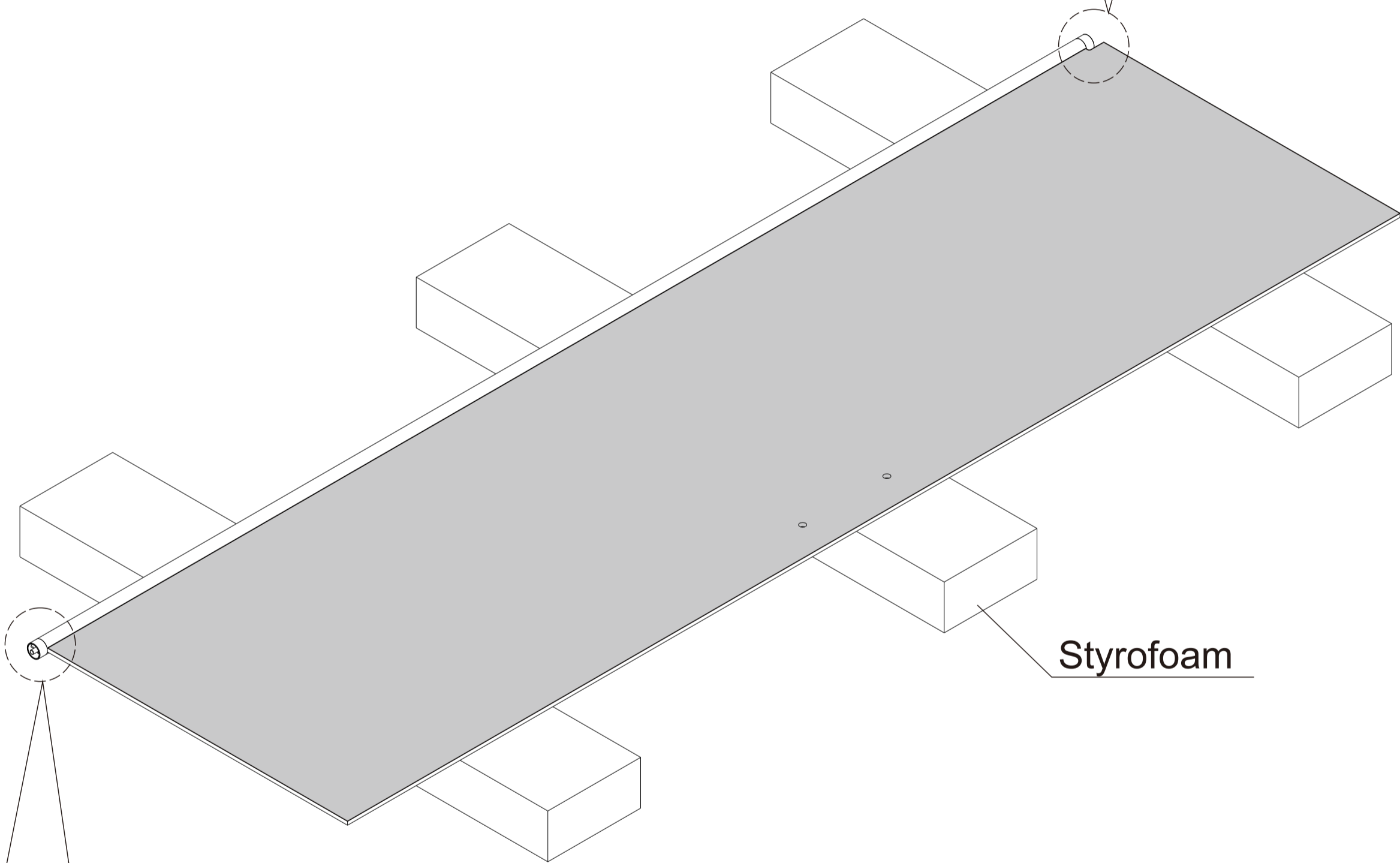
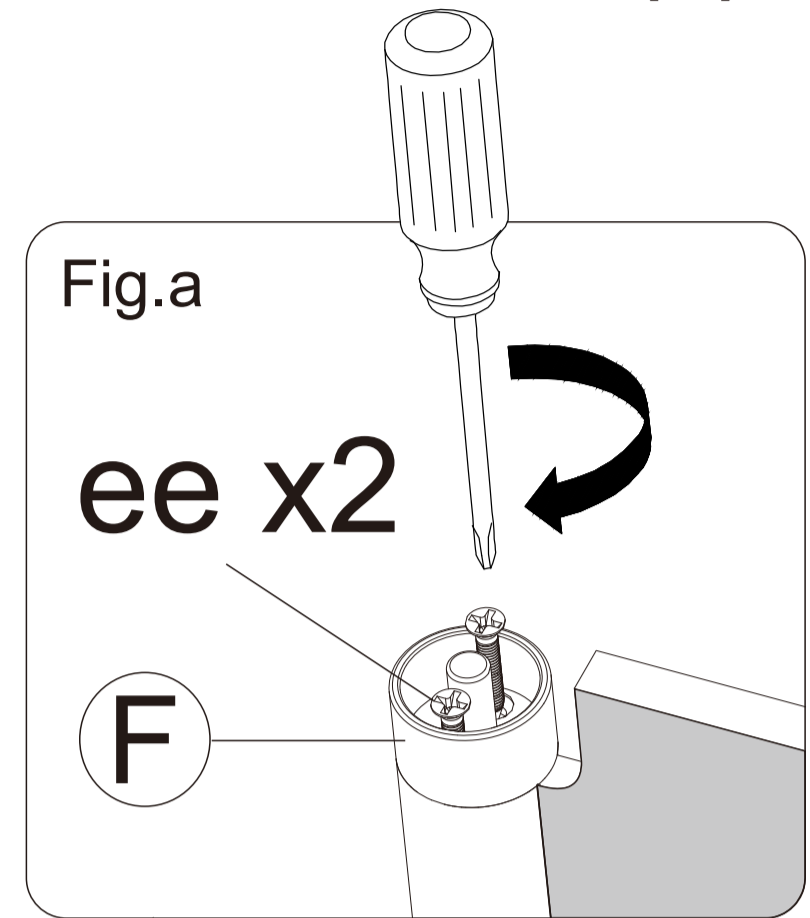


6 Install Top Pivot Sleeve(F) and Bottom Pivot Sleeve(E)

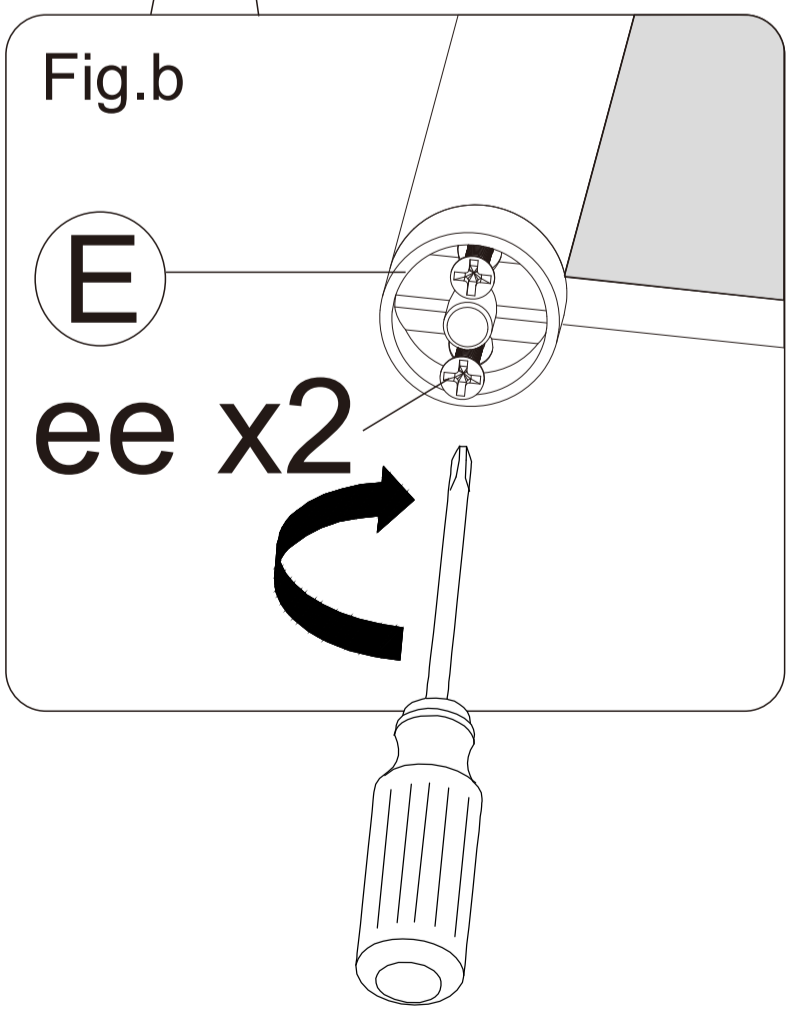
NOTE

1. Install the **Top Pivot Sleeve(F)** into the **Glass Door(C)** and secure it with **screws(ee)** as Fig.a .
2. Install the **Bottom Pivot Sleeve(E)** into the **Glass Door(C)** and secure it with **screws(ee)** as Fig.b .

Note: ensure bracket without 'V' is always on the top



Styrofoam

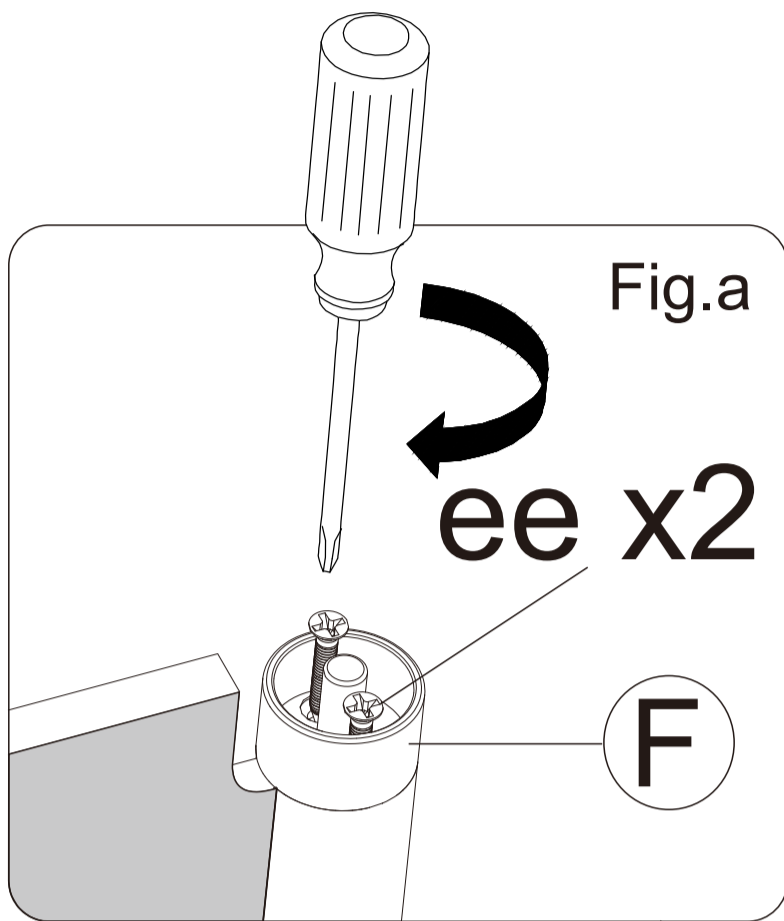


Note: ensure bracket with the 'V' is always on the bottom



CAUTION: Do not put glass directly on the ground

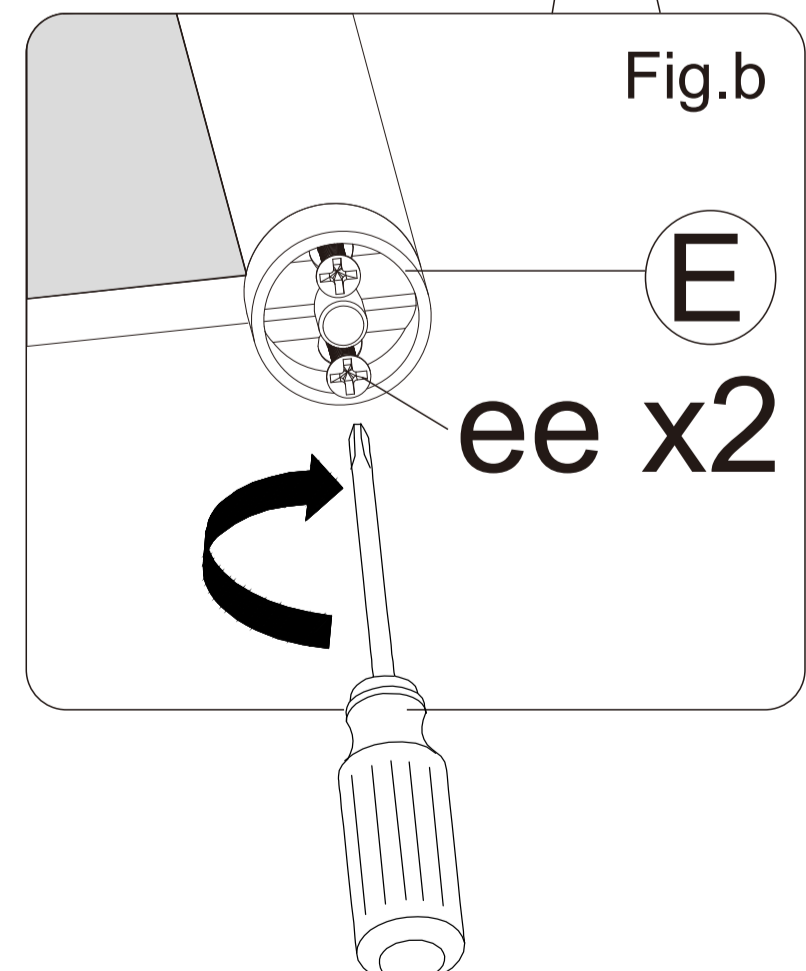
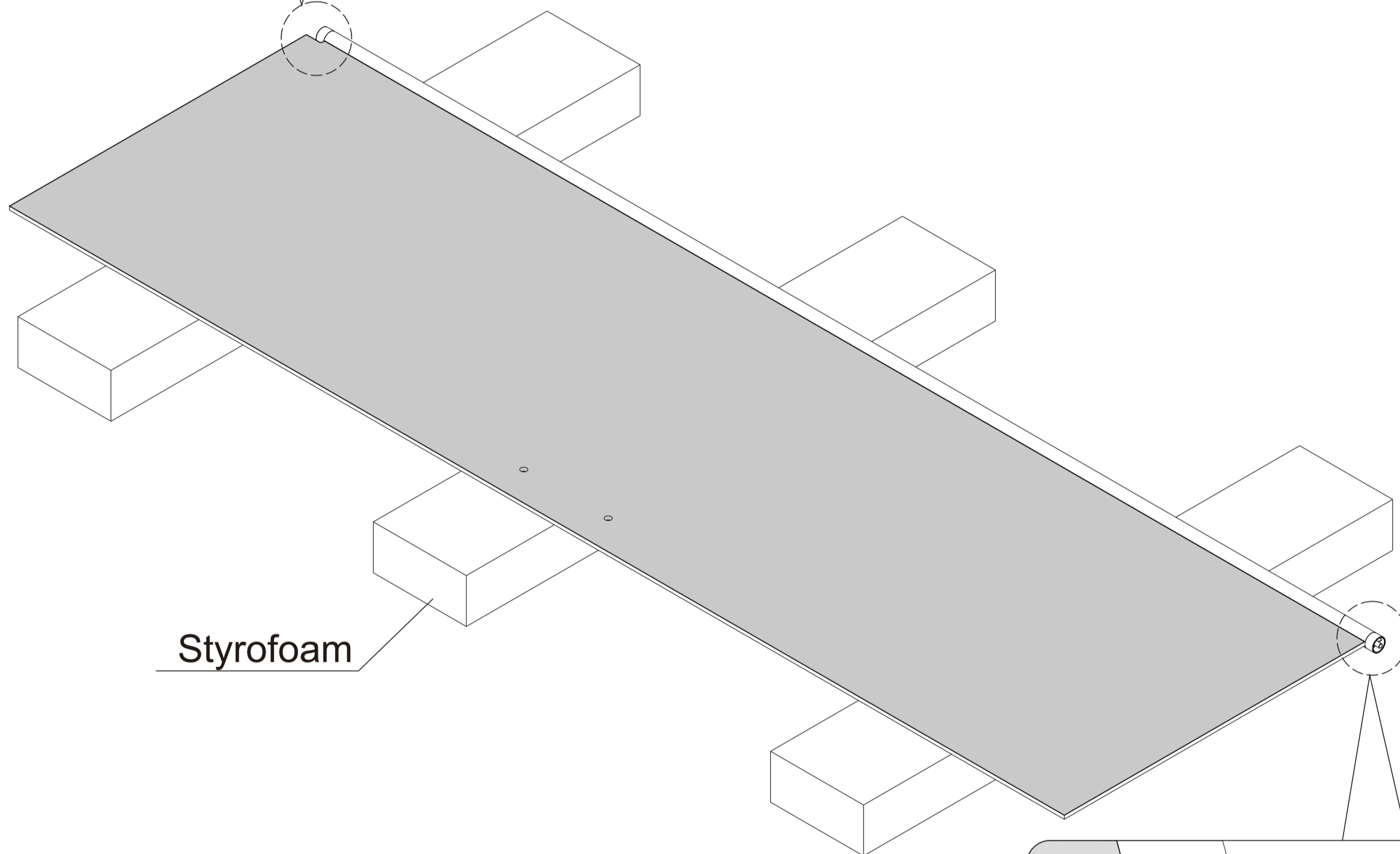
7 Install **Top Pivot Sleeve(F)** and **Bottom Pivot Sleeve(E)**



NOTE

1. Install the **Top Pivot Sleeve(F)** into the **Glass Door(C)** and secure it with **screws(ee)** as Fig.a .
2. Install the **Bottom Pivot Sleeve(E)** into the **Glass Door(C)** and secure it with **screws(ee)** as Fig.b .

Note: ensure bracket without 'V' is always on the top



Note: ensure bracket with the 'V' is always on the bottom

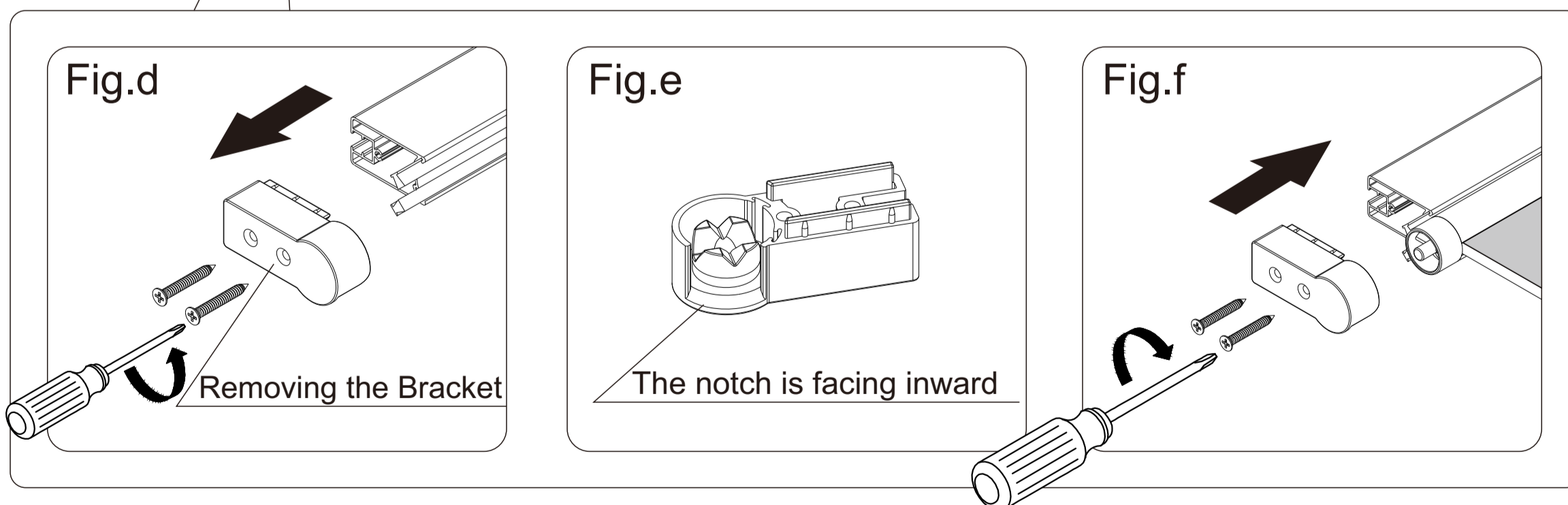
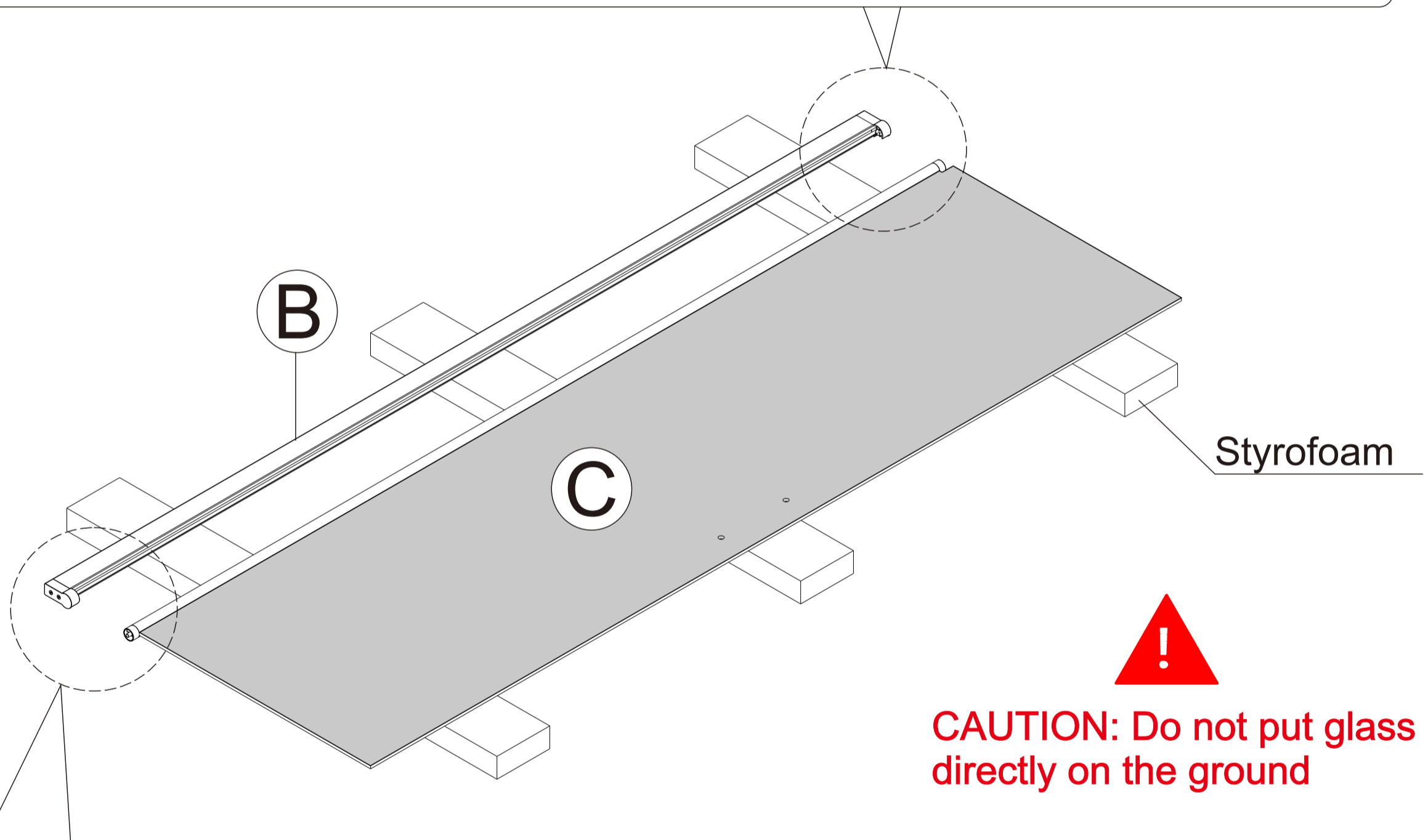
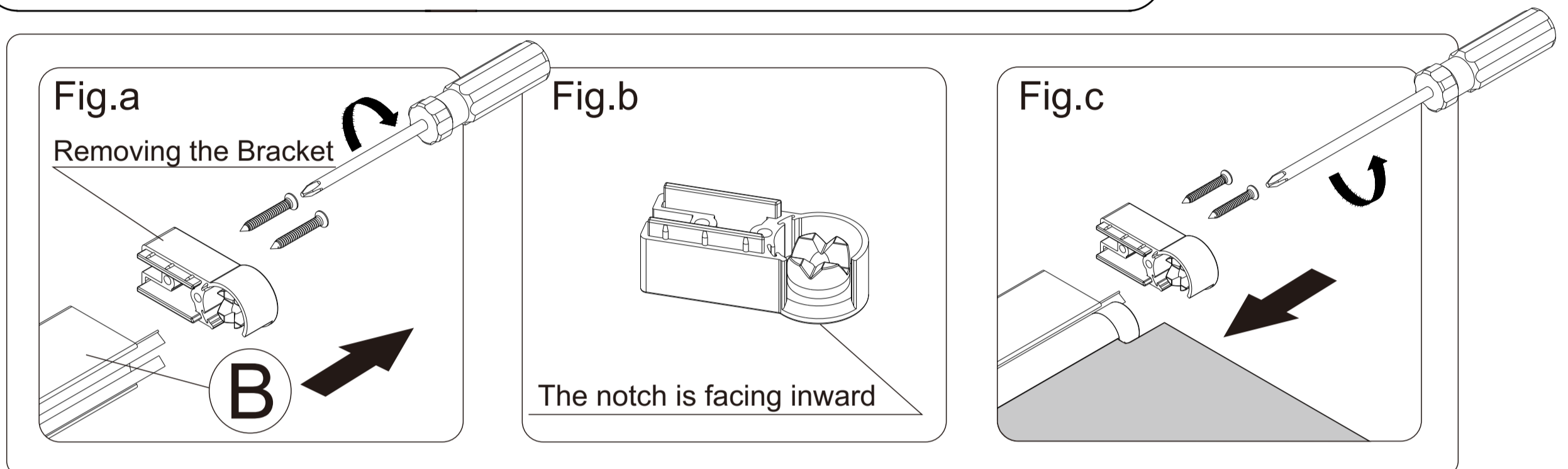


CAUTION: Do not put glass directly on the ground

8 Install Upright Profile(B)

NOTE

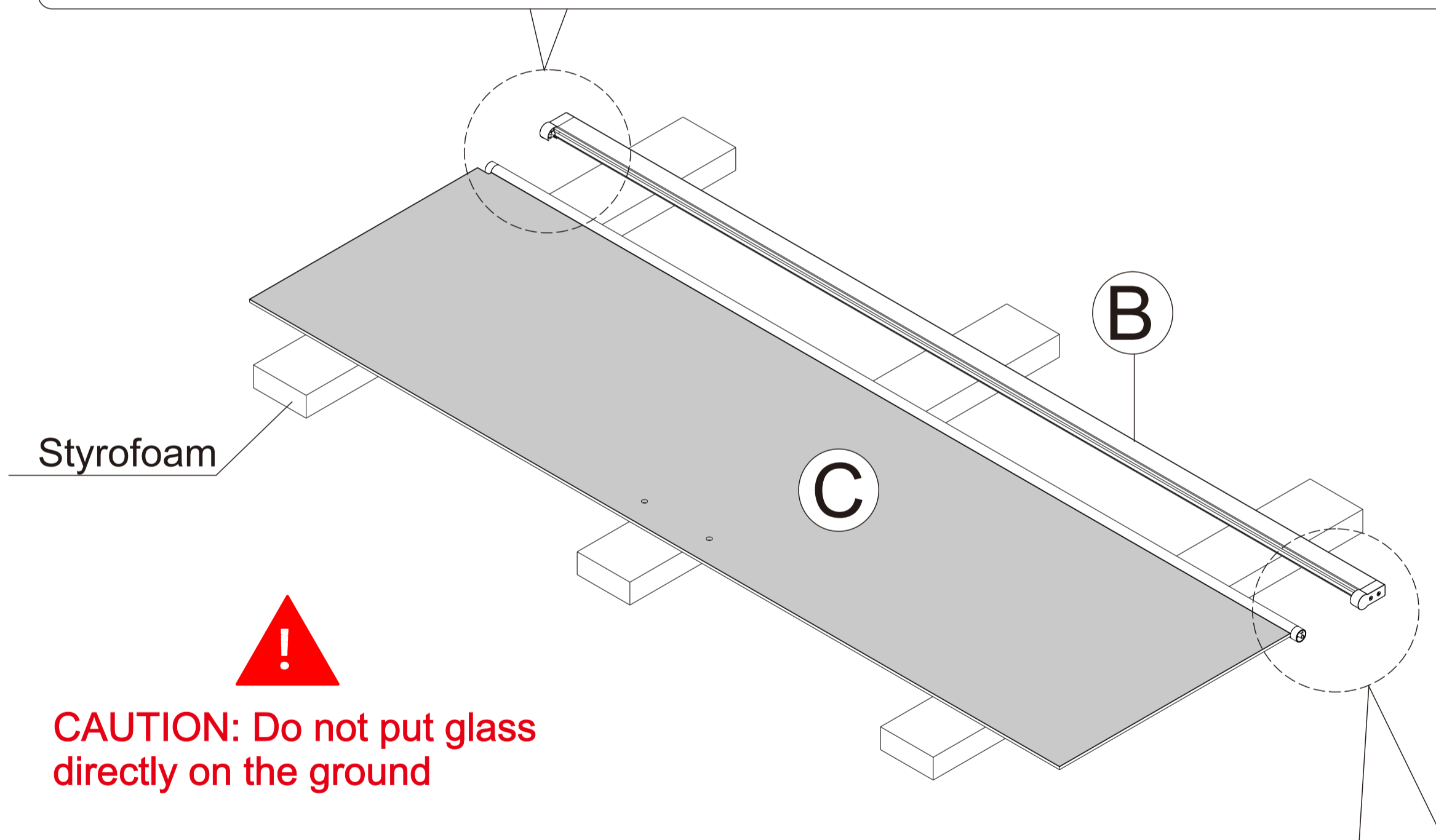
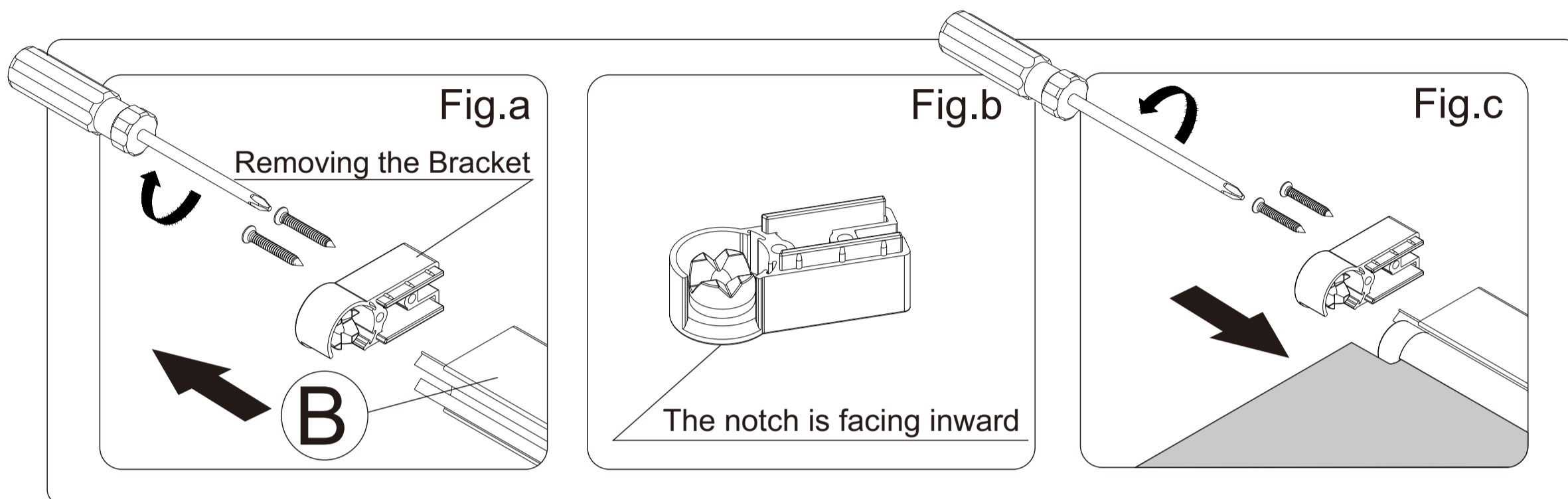
1. Remove the upper and lower brackets as Fig.a and Fig.d
2. The Bracket notch is always facing inward as Fig.b and Fig.e .
3. Fix the **Upright Profile(B)** and the **Glass Door (C)** with a Bracket as Fig.c and Fig.f



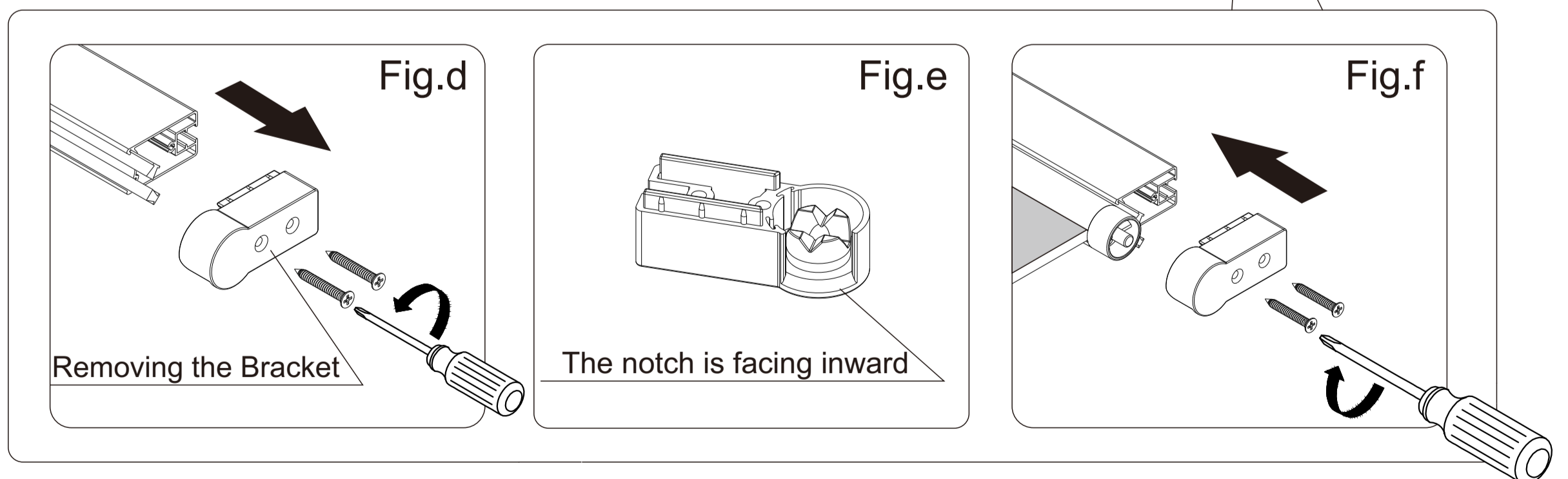
9 Install Upright Profile(B)

NOTE

- 1.Remove the upper and lower brackets as Fig.a and Fig.d
- 2.The Bracket notch is always facing inward as Fig.b and Fig.e .
- 3.Fix the **Upright Profile(B)** and the **Glass Door (C)** with a Bracket as Fig.c and Fig.f



CAUTION: Do not put glass directly on the ground



10 Install Glass Door(C)

NOTE

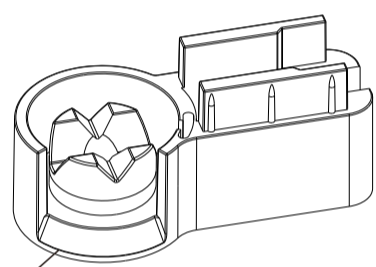
1. Note the Bracket orientation as Fig.a

1. Insert the **Glass Door(C)** to the **Wall Jamb(A)**, the max adjustment is 1"(25mm) as Fig.b and Fig.c .



Be careful not to remove the glass corner guard yet to prevent the glass from breaking.

Fig.a



The notch is facing inward

Fig.b

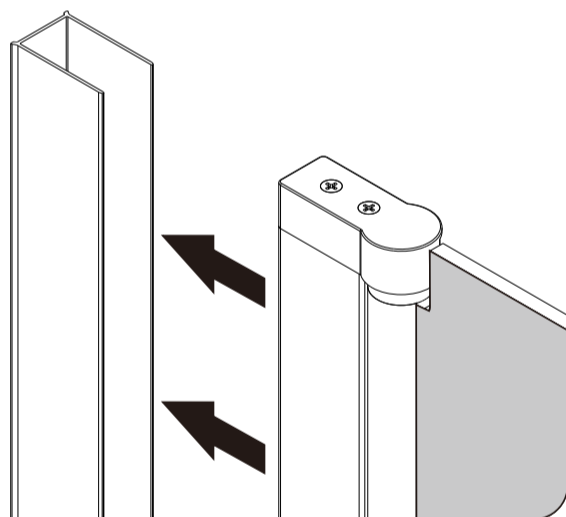
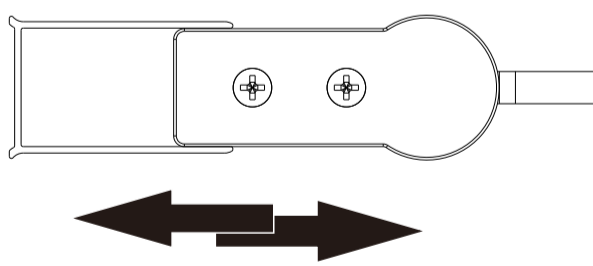
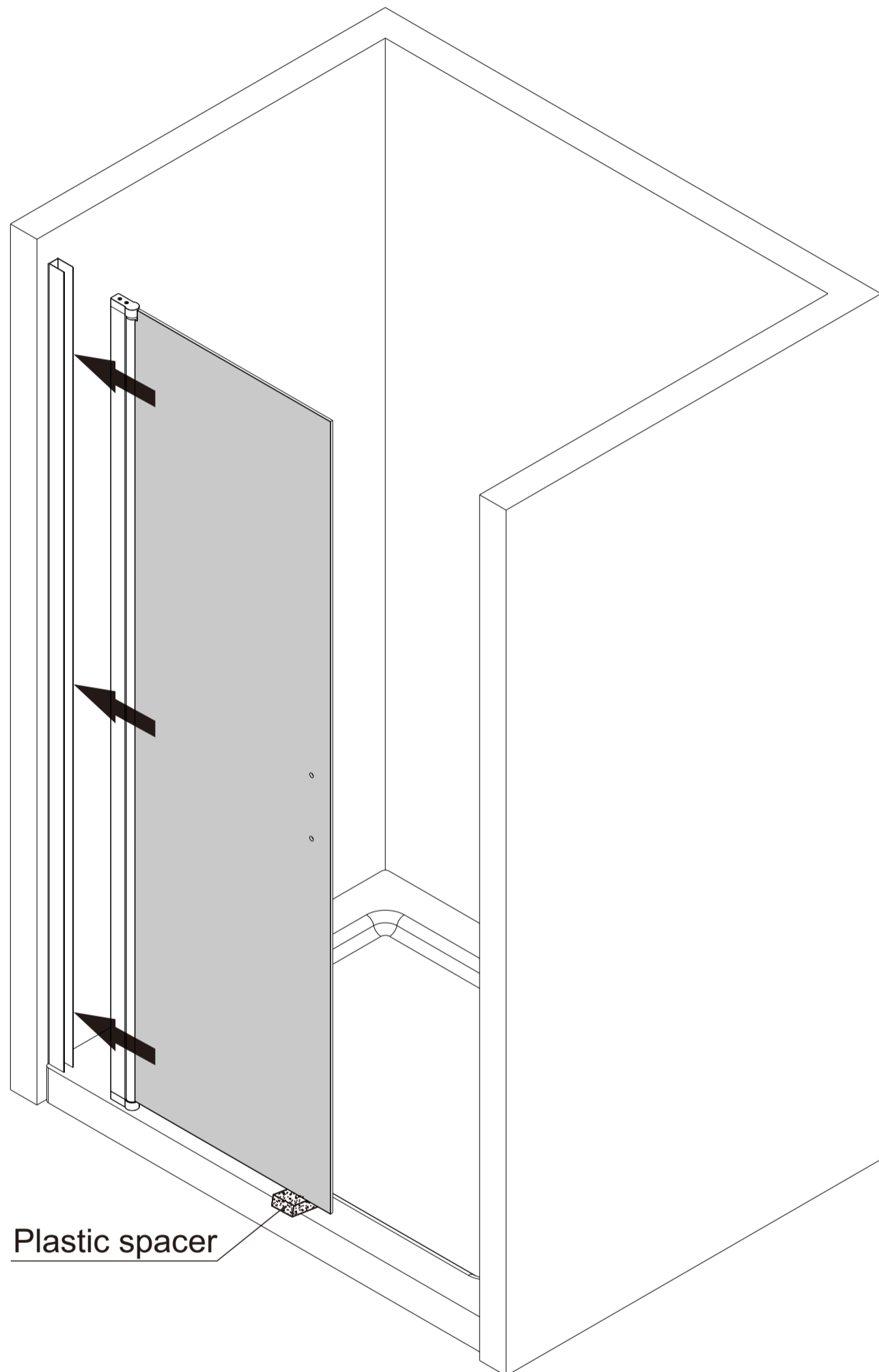


Fig.c



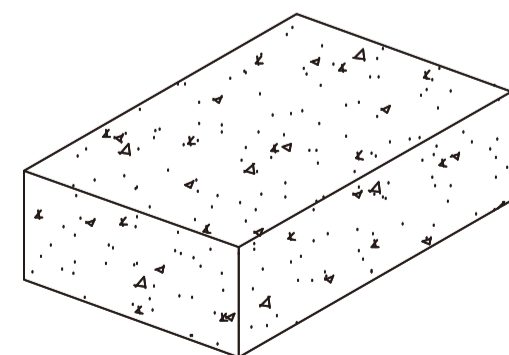
Wall jamb max adjustment: 1" (25mm).



Plastic spacer

NOTE

The Plastic spacer is an aid tool to prevent the glass from touching the ground



CAUTION: Do not put glass directly on the ground

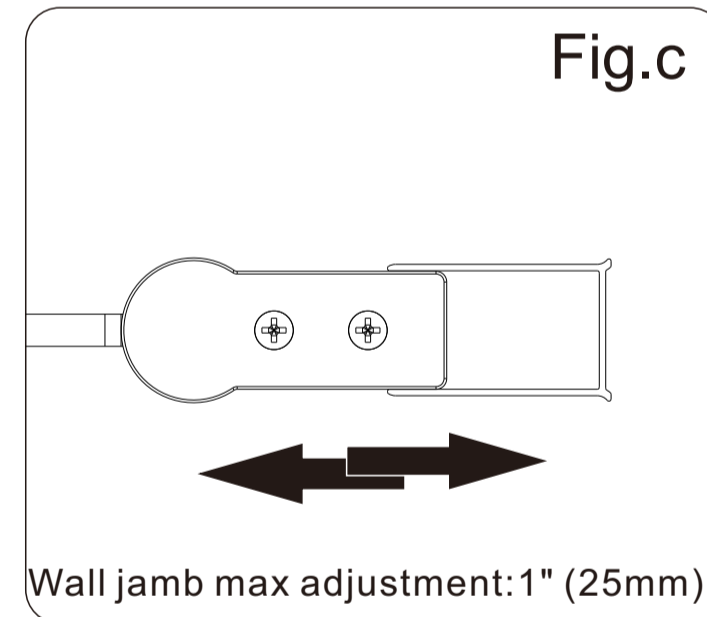
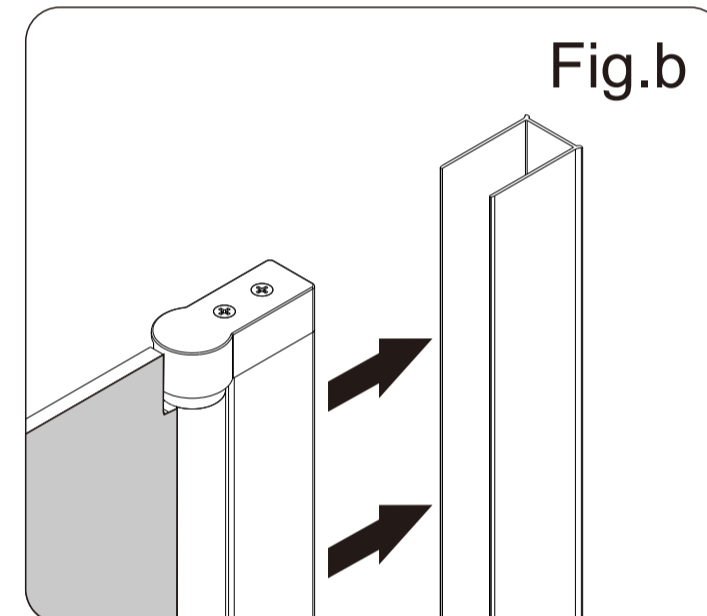
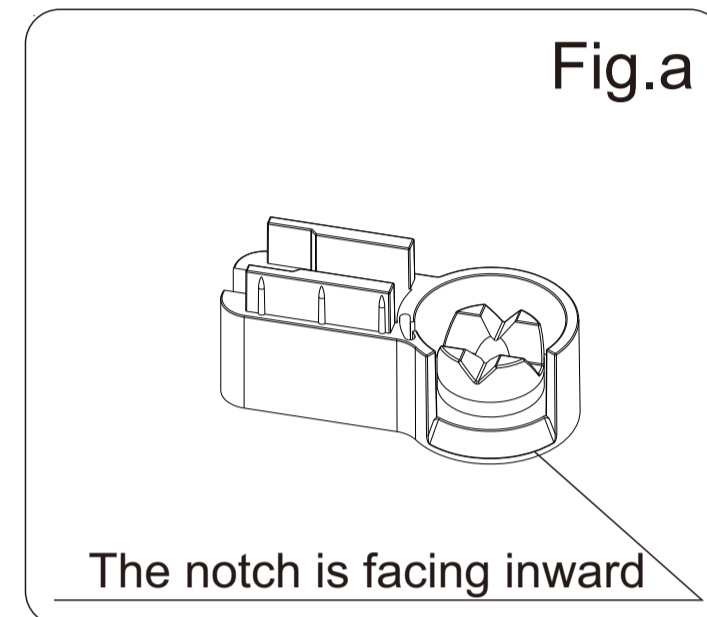
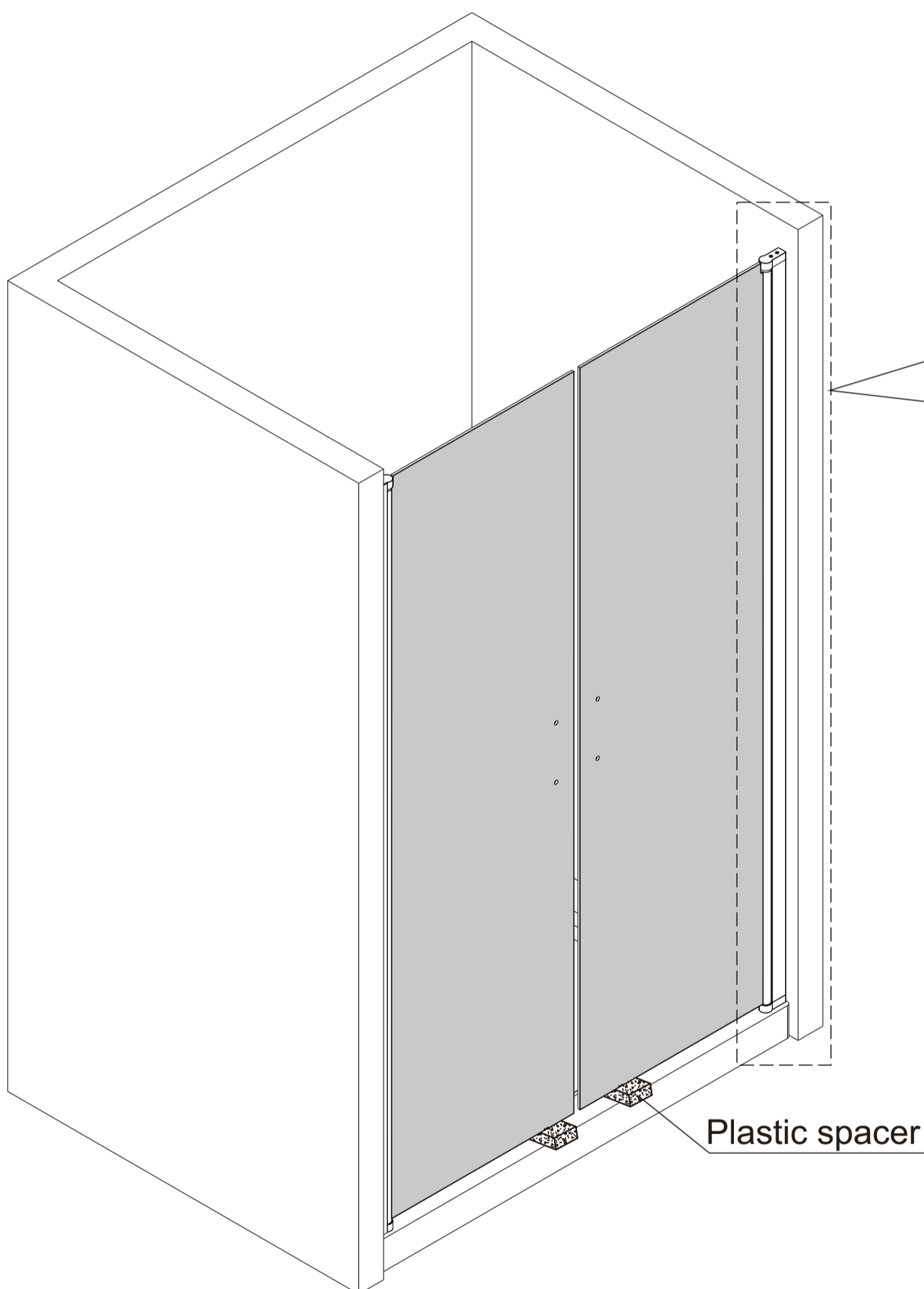
11 Install Glass Door(C)

NOTE

1. Note the Bracket orientation as Fig.a
2. Insert the **Glass Door(C)** to the **Wall Jamb(A)**, the max adjustment is 1"(25mm) as Fig.b and Fig.c .



Be careful not to remove the glass corner guard yet to prevent the glass from breaking.

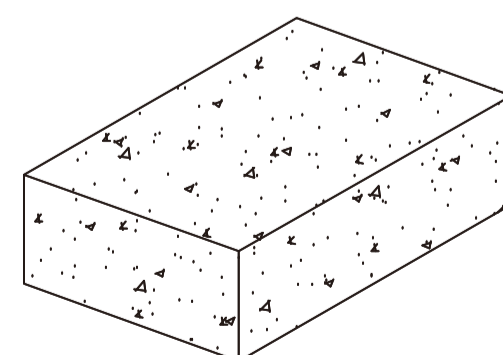


NOTE



CAUTION: Do not put glass directly on the ground

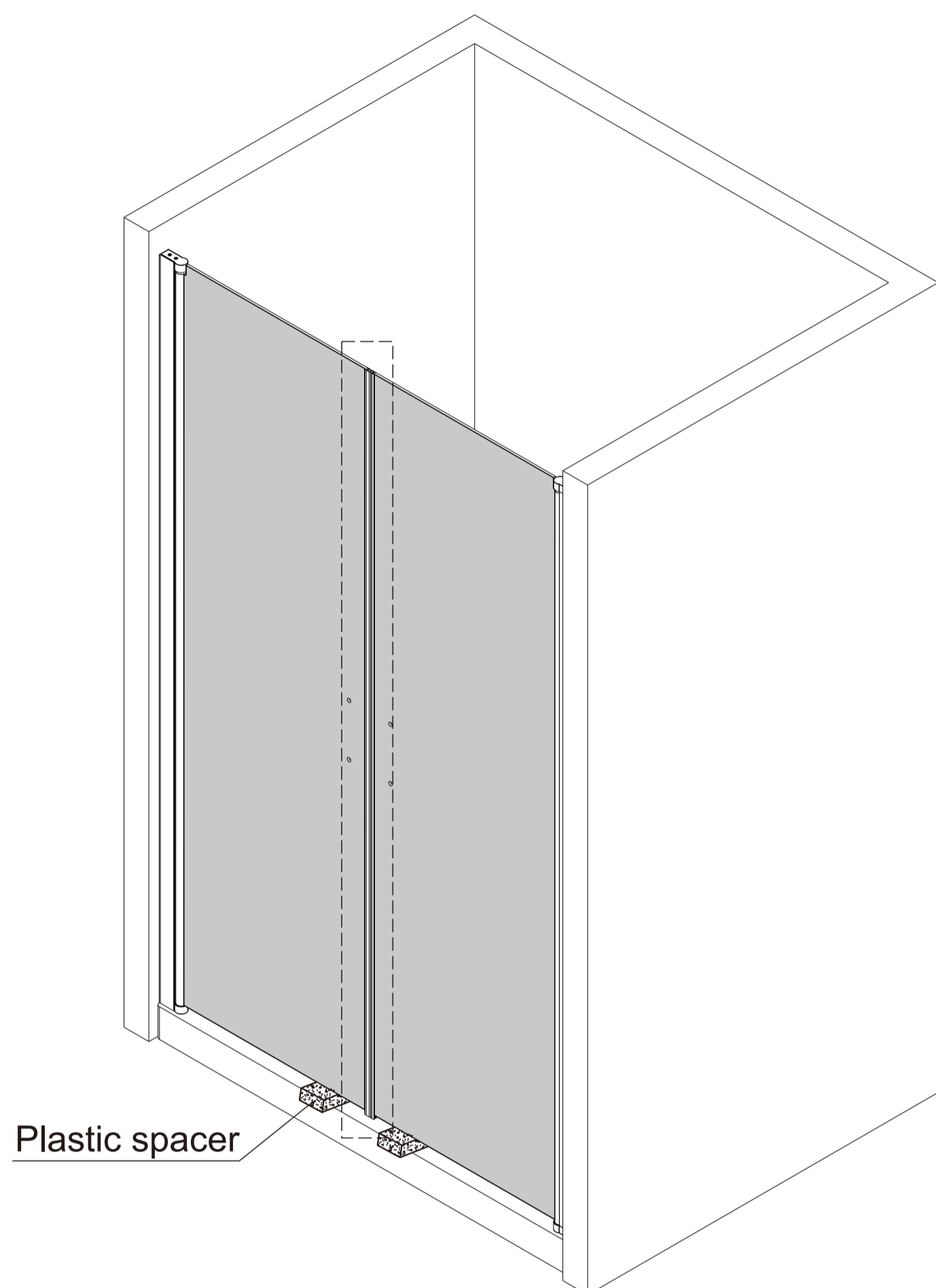
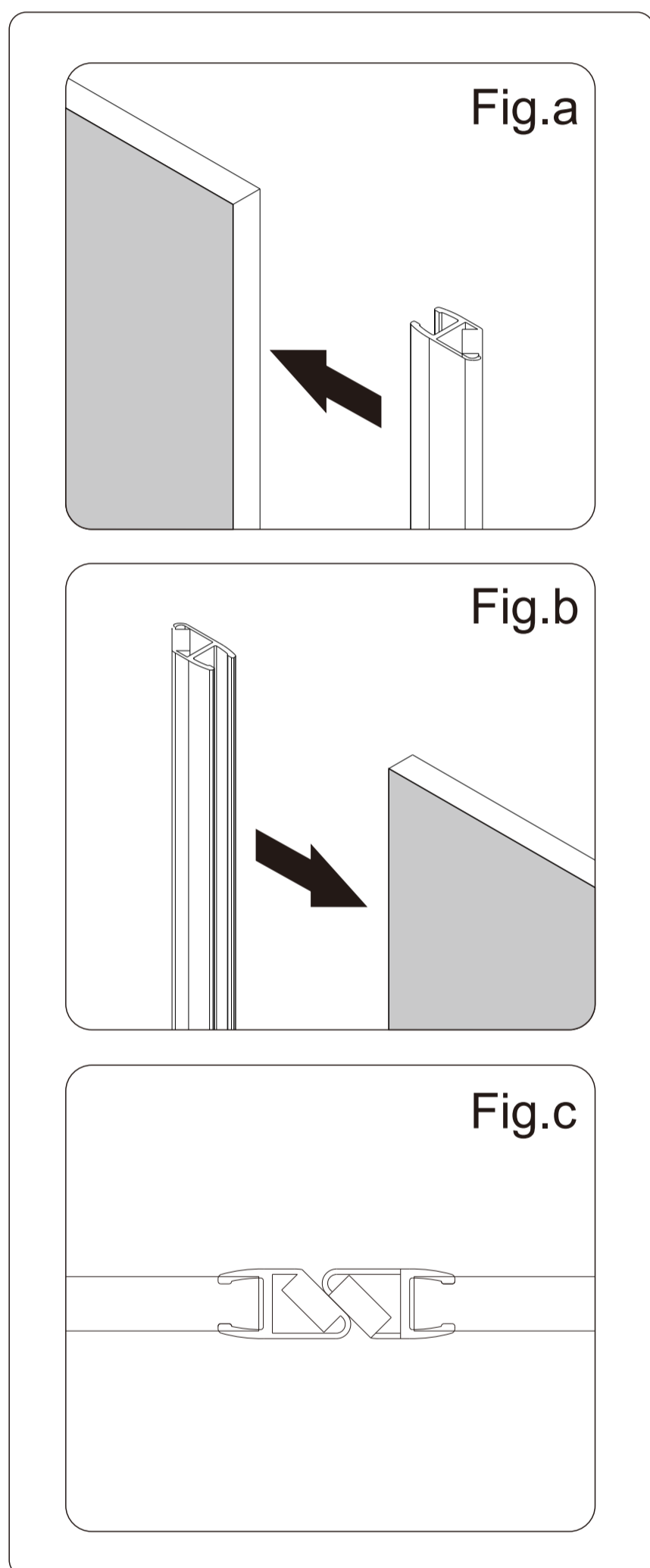
The Plastic spacer is an aid tool to prevent the glass from touching the ground



12 Install Magnetic Strip(G)

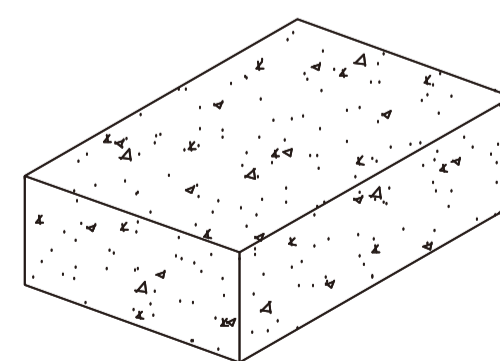
NOTE

1. Install the **Magnetic Strip (G)** on the left and right **Glass Doors (C)**.



The Plastic spacer is an aid tool to prevent the glass from touching the ground

NOTE

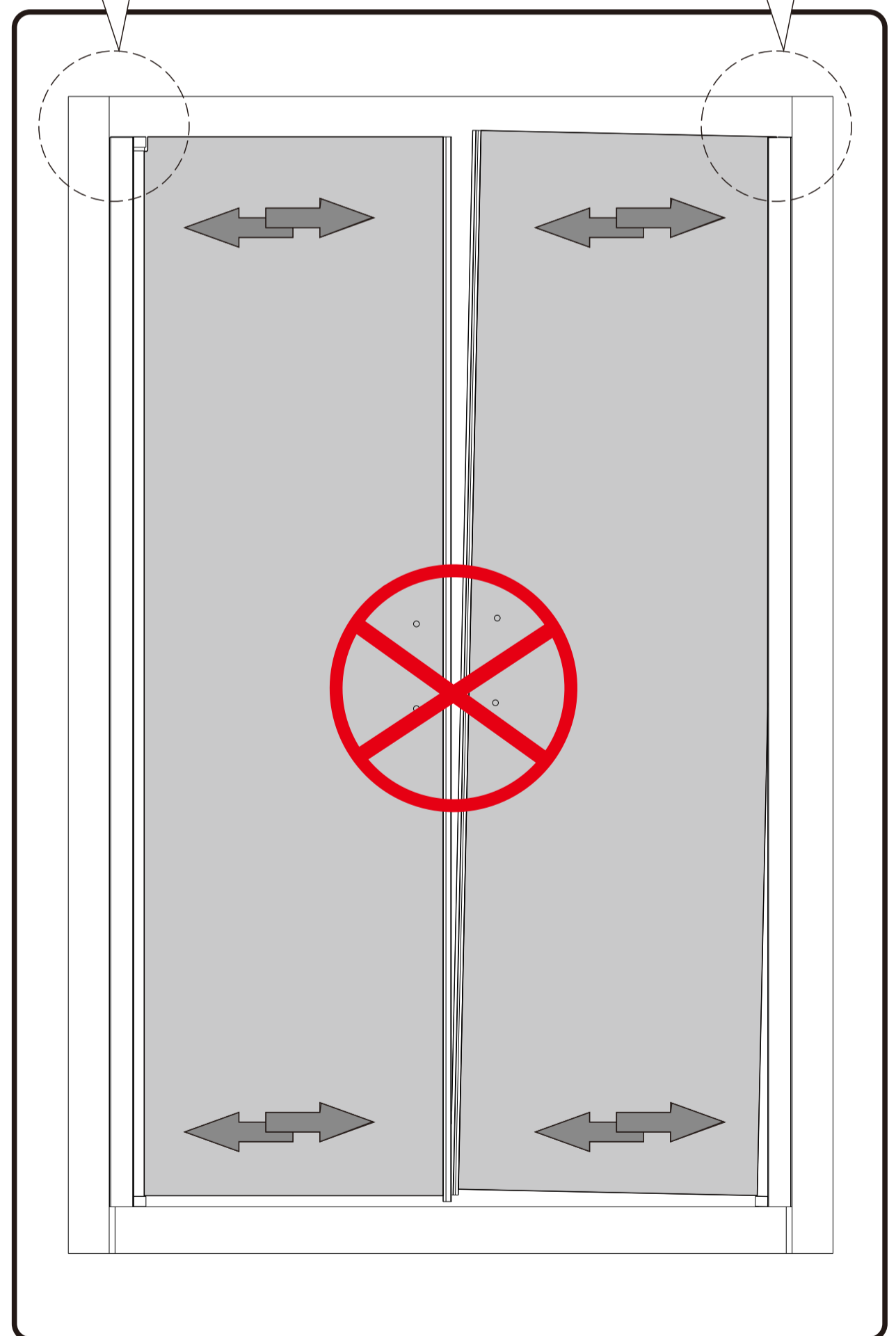
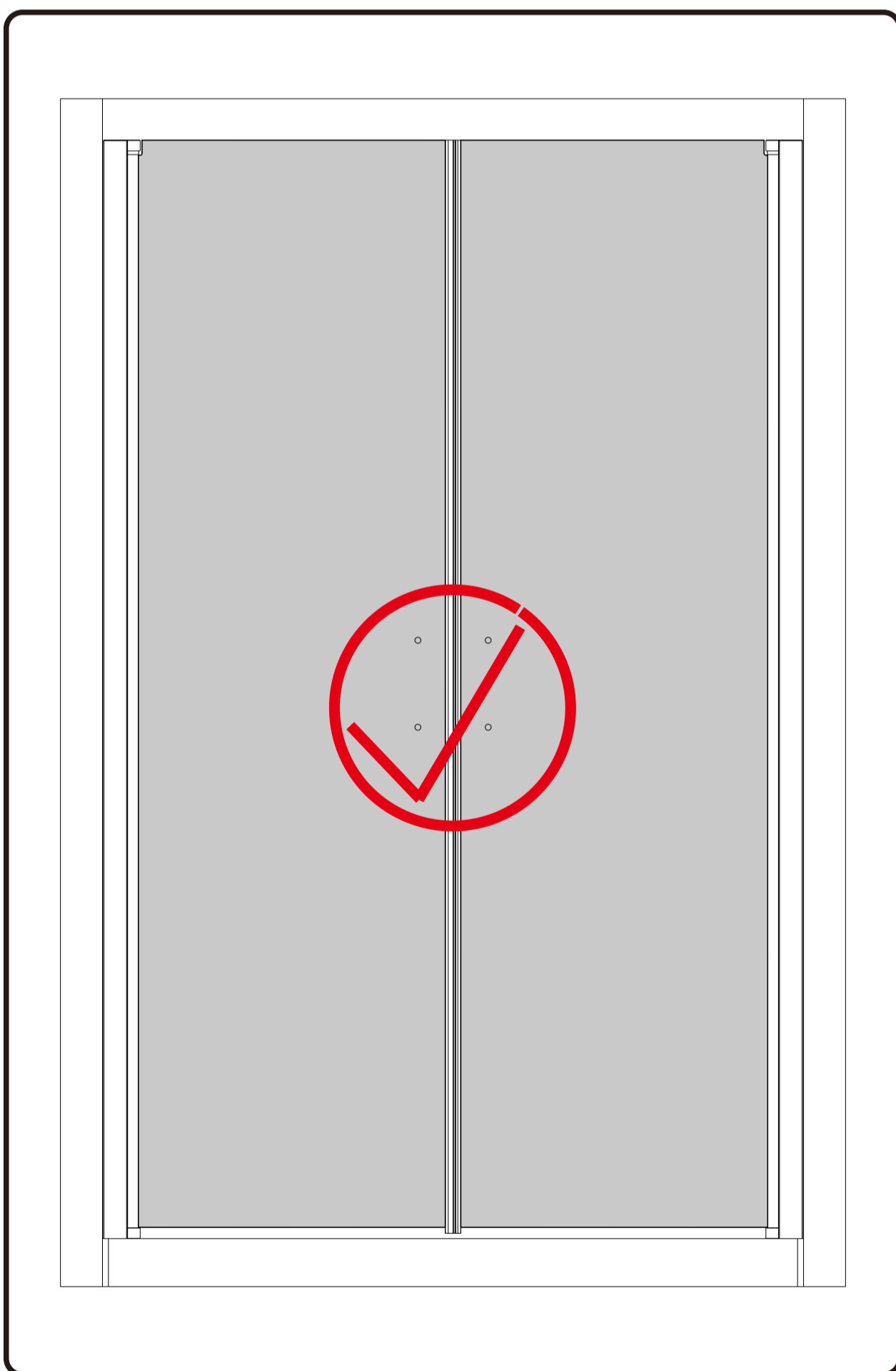
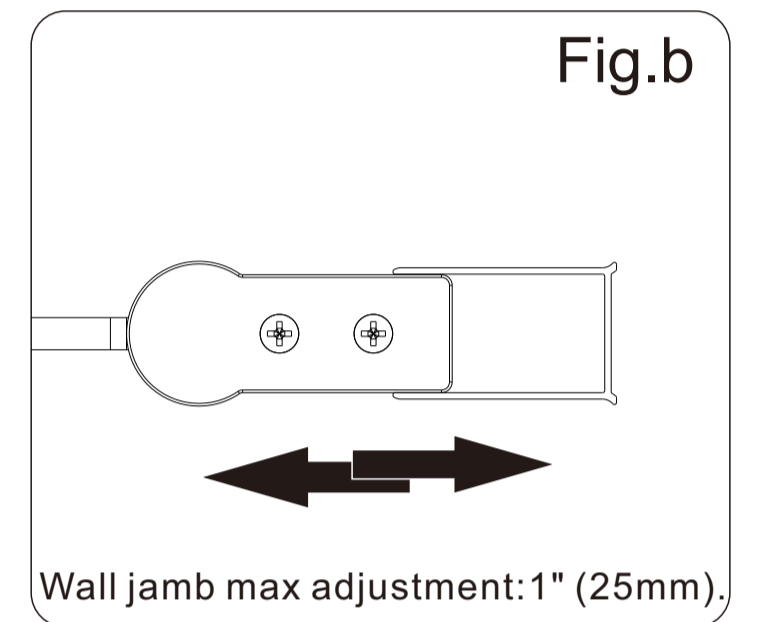
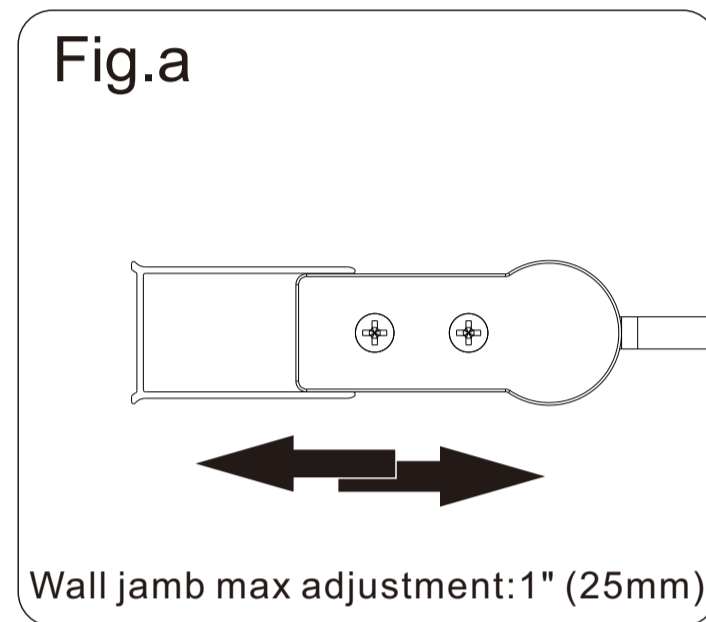


CAUTION: Do not put glass directly on the ground

13 Adjustment

NOTE

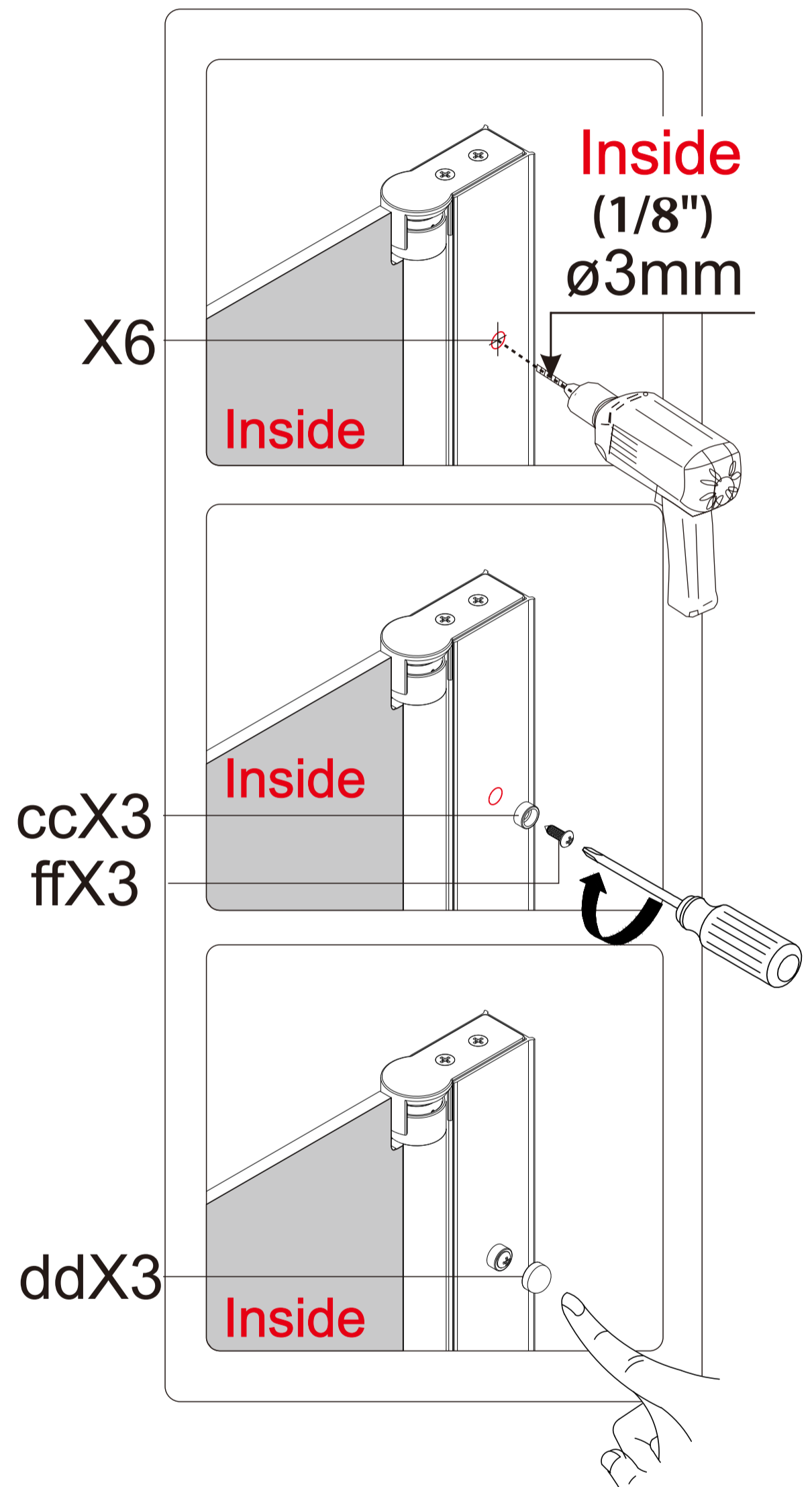
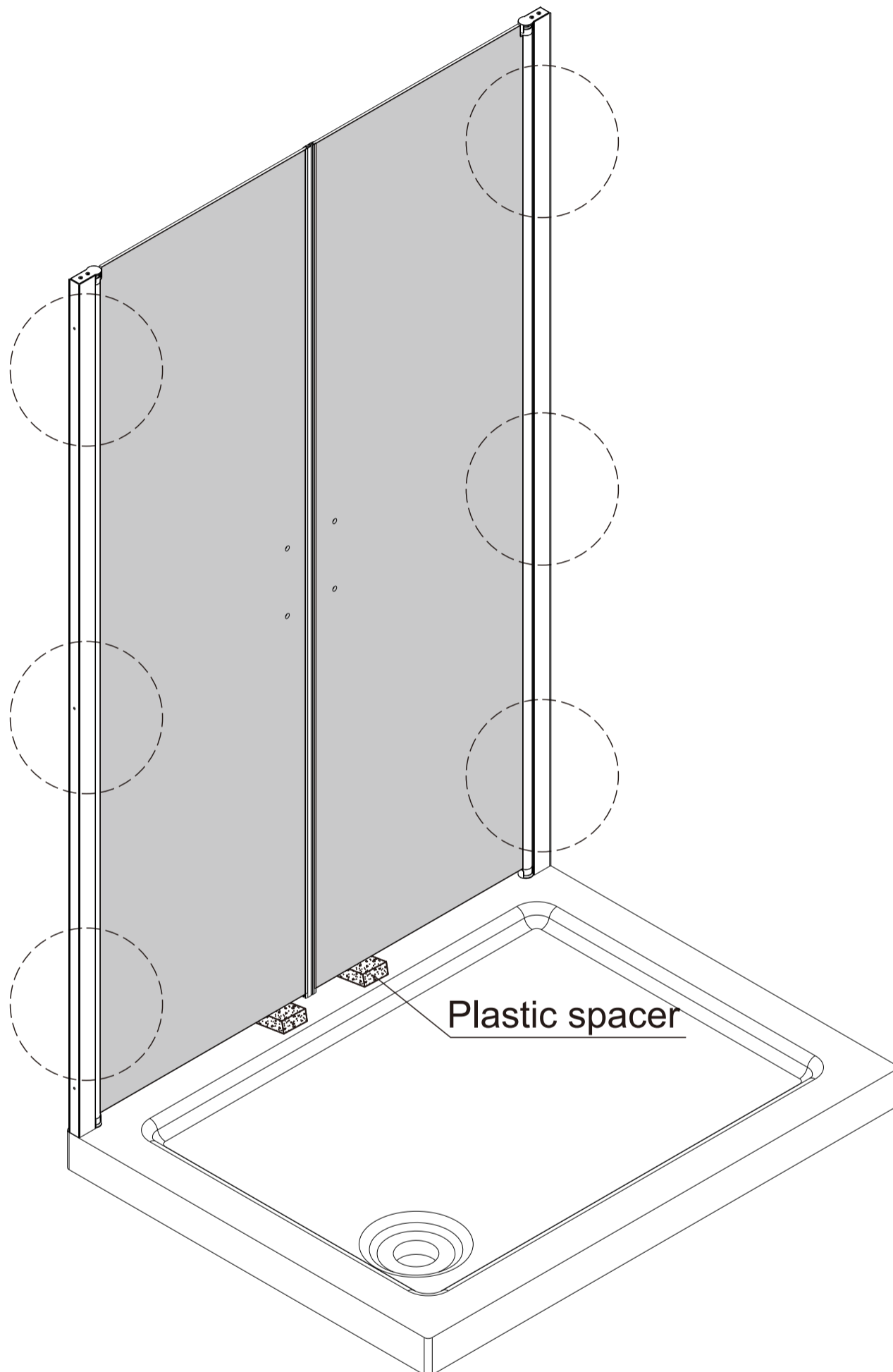
Adjust the **Glass Door (C)** left and right so that the **Magnetic Strip (G)** aligns seamlessly as Fig.a and Fig.b .



14 Lock Upright Profile(B)

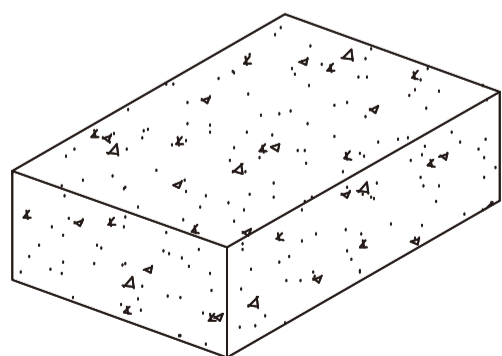
NOTE

1. Drill 6 holes on the inside of the **Wall Jamb(A)** with 1/8"(3mm) drill bit as Fig.a .
2. Install **Screws(ff)** and screw cover cap **Washers(cc)** as Fig.b.
3. Install **Screw caps(dd)** as Fig.c.



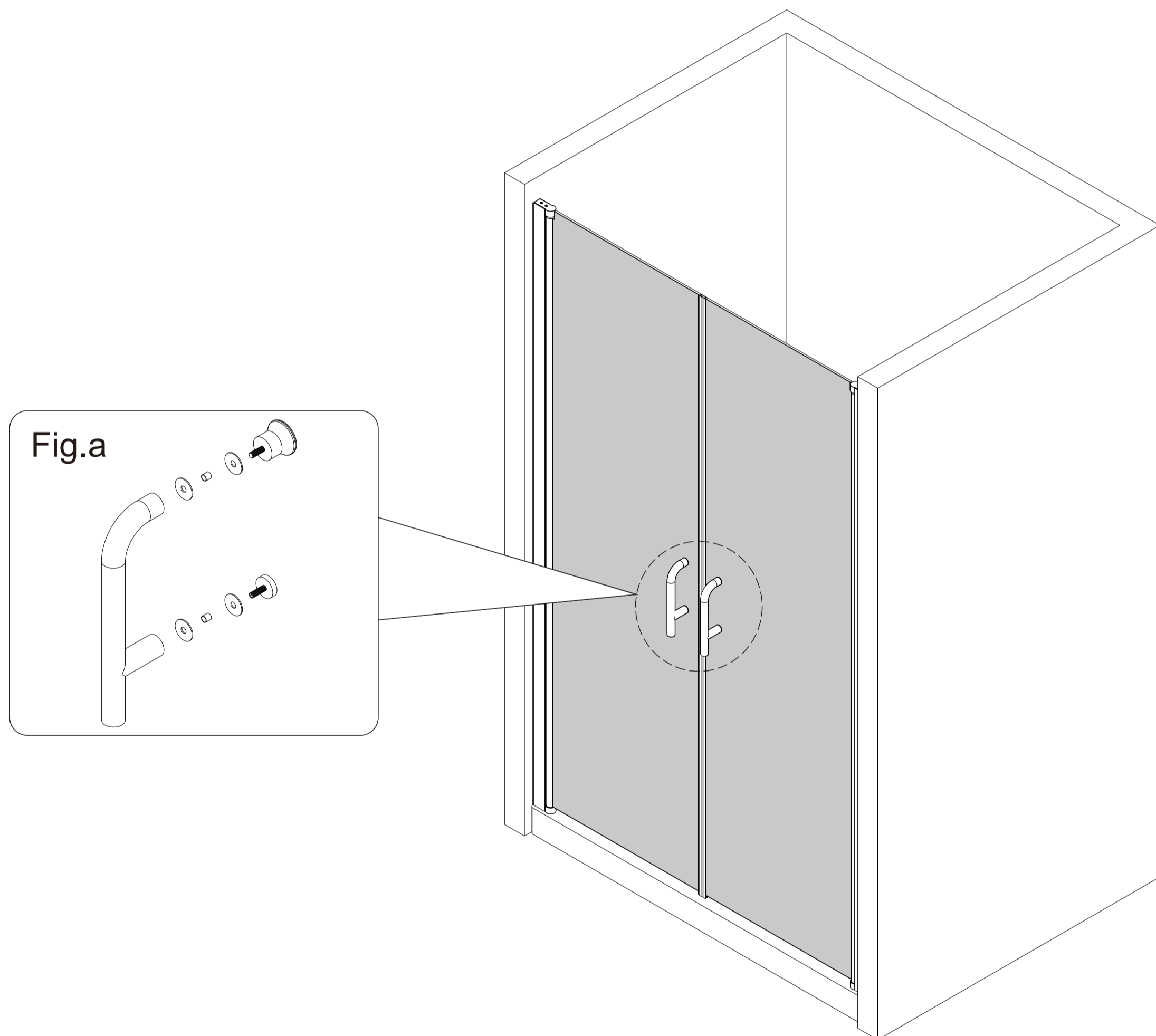
NOTE

The Plastic spacer is an aid tool to prevent the glass from touching the ground



15 Install the **Handle(H)**

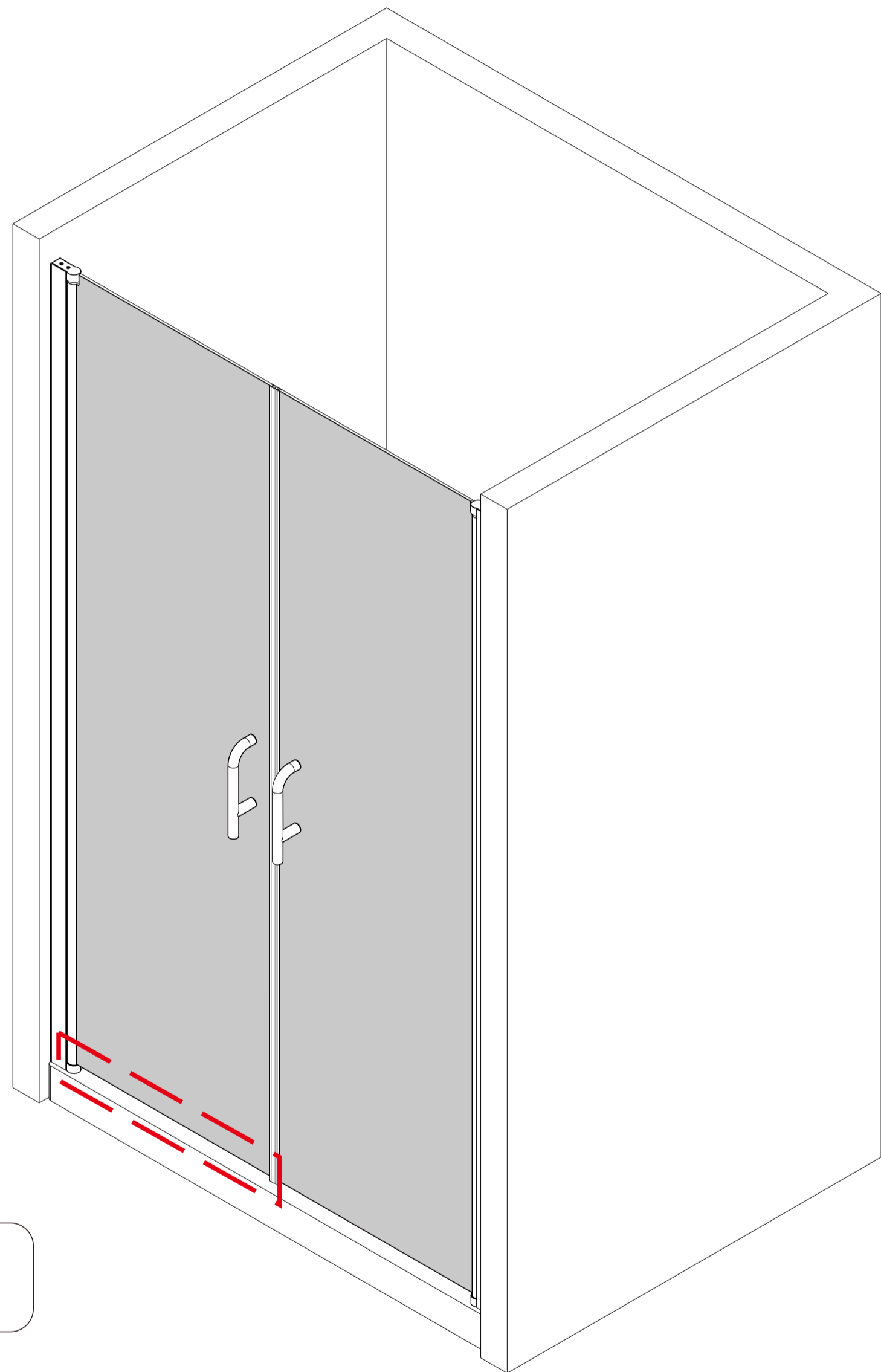
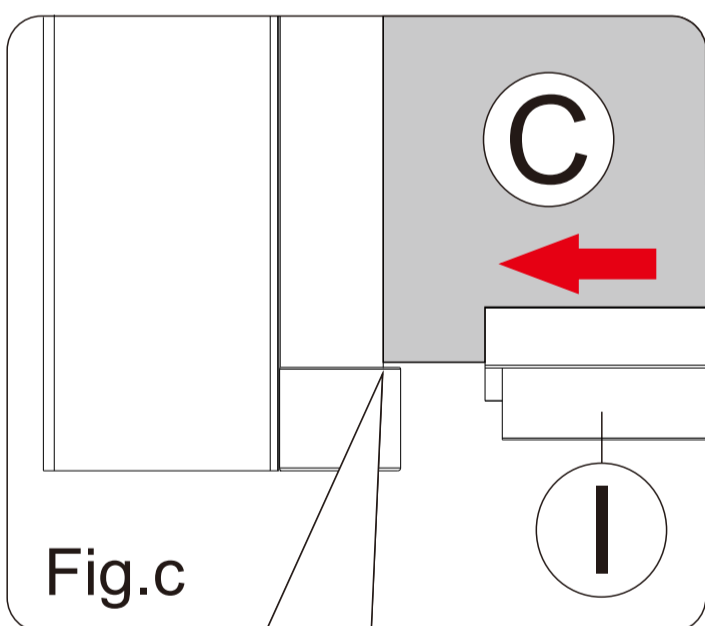
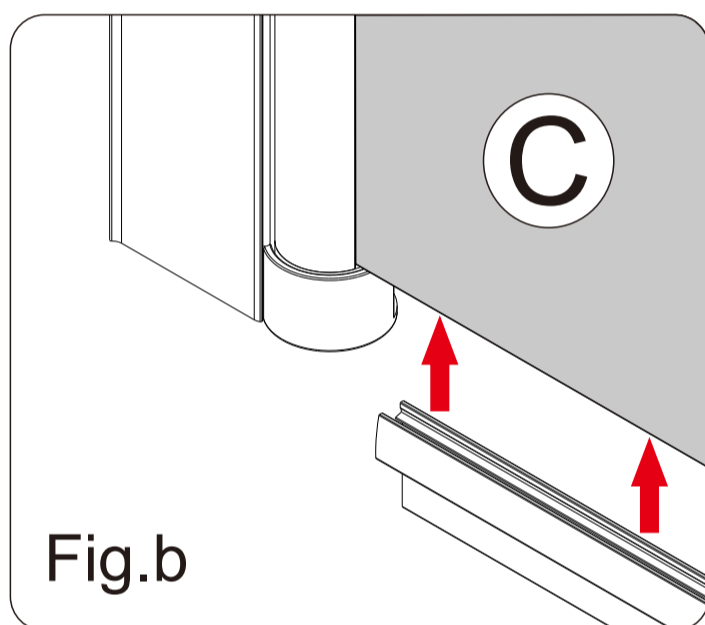
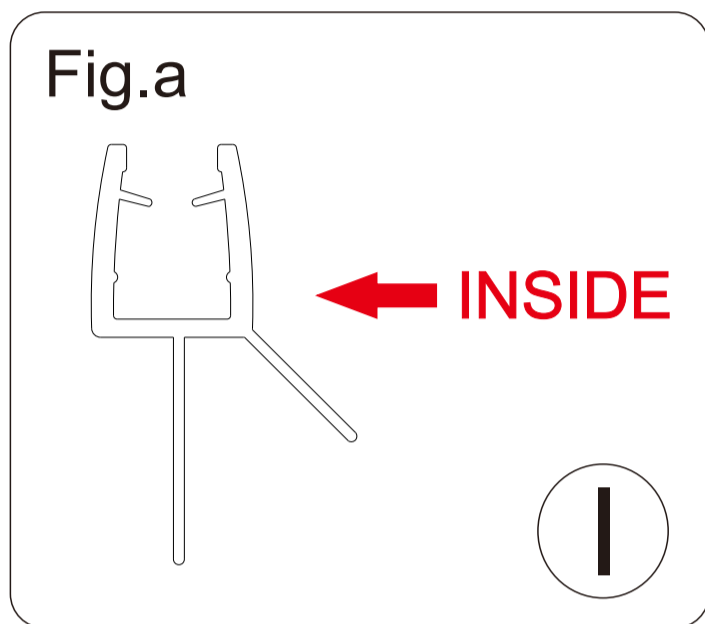
NOTE 1. Install the **Handle (H)** on the **Glass Door (C)** as Fig.a.



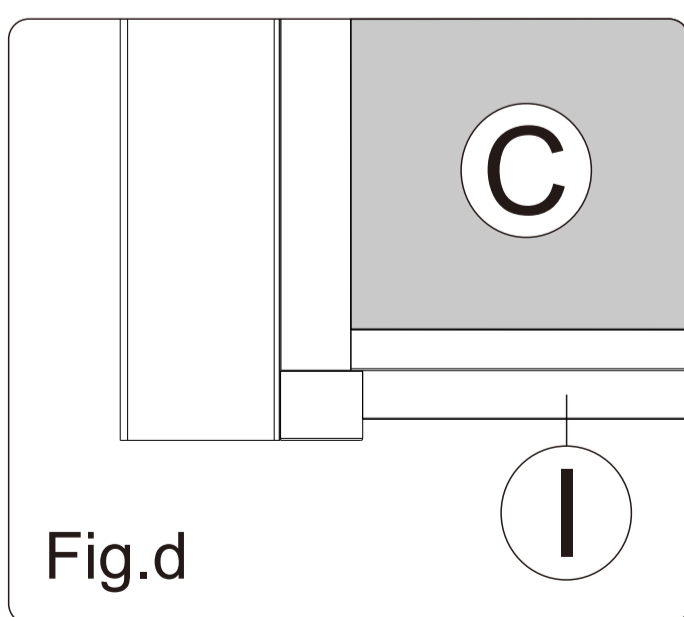
CAUTION: Do not put glass directly on the ground

16 Install the **Bottom Anti-Water Strip(I)**

NOTE 1. Install the **Bottom Anti-Water Strip (I)** on the left **Glass Door (C)**.
 Note: Make sure to insert the **Bottom Anti-Water Strip (I)** all the way to the bottom as Fig.a & Fig.b & Fig.c and Fig.d .



The **Bottom Anti-Water Strip (I)** needs to be inserted to the end

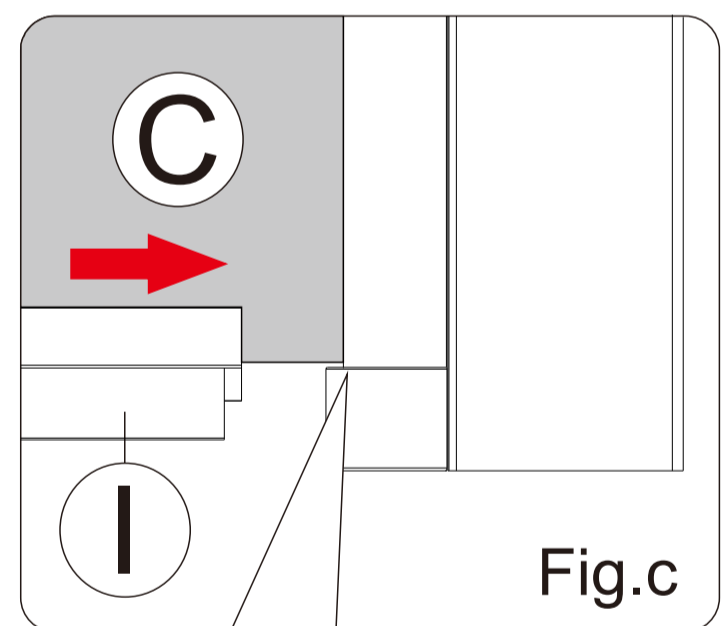
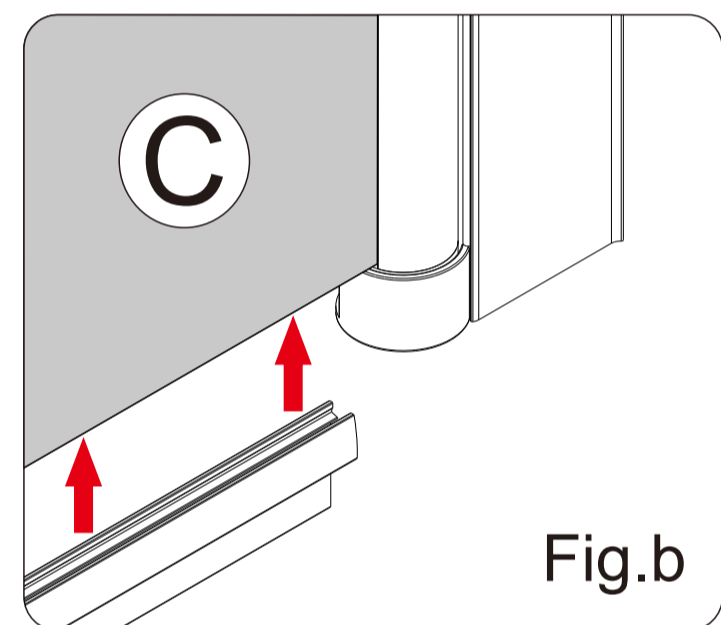
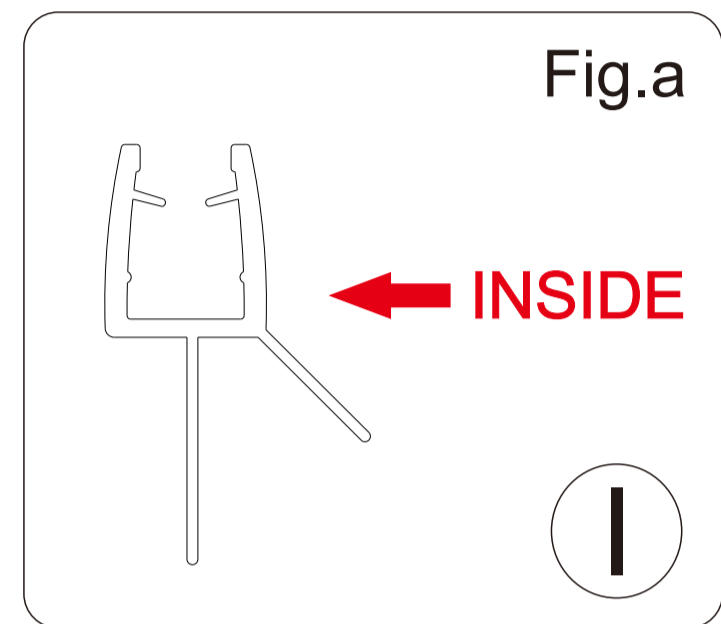
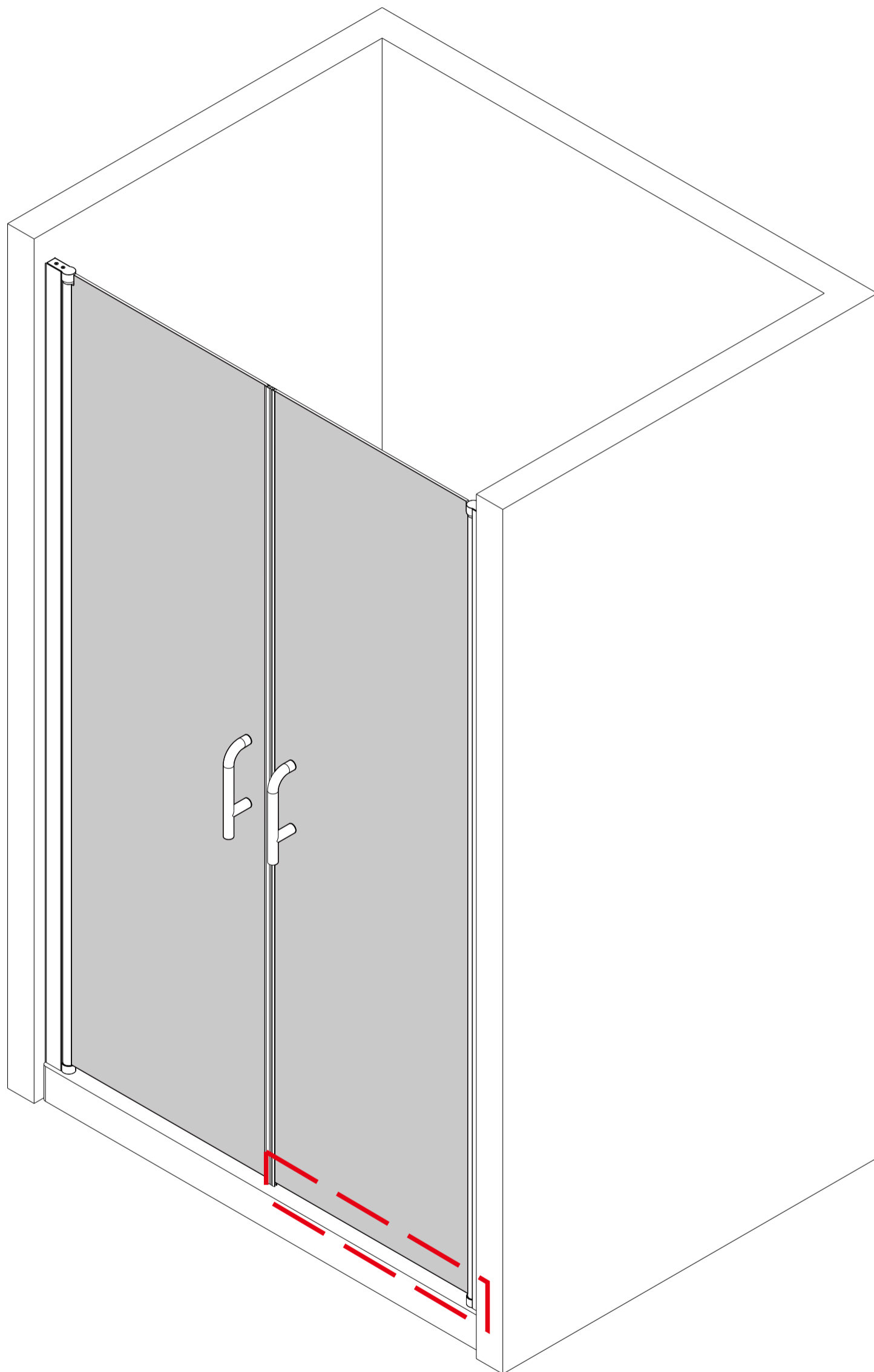


17

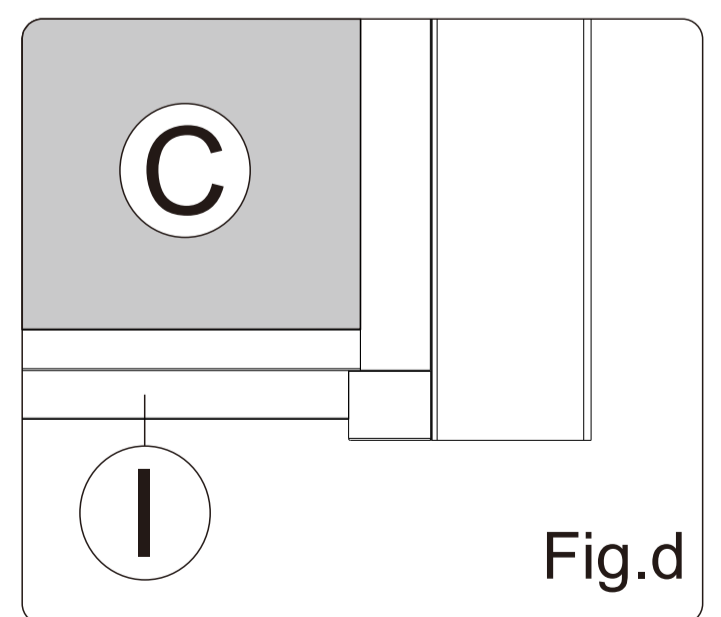
Install the Bottom Anti-Water Strip(I)

NOTE

1. Install the **Bottom Anti-Water Strip (I)** on the right **Glass Door (C)**.
 Note: Make sure to insert the **Bottom Anti-Water Strip (I)** all the way to the bottom as Fig.a & Fig.b & Fig.c and Fig.d .



The **Bottom Anti-Water Strip (I)** needs to be inserted to the end

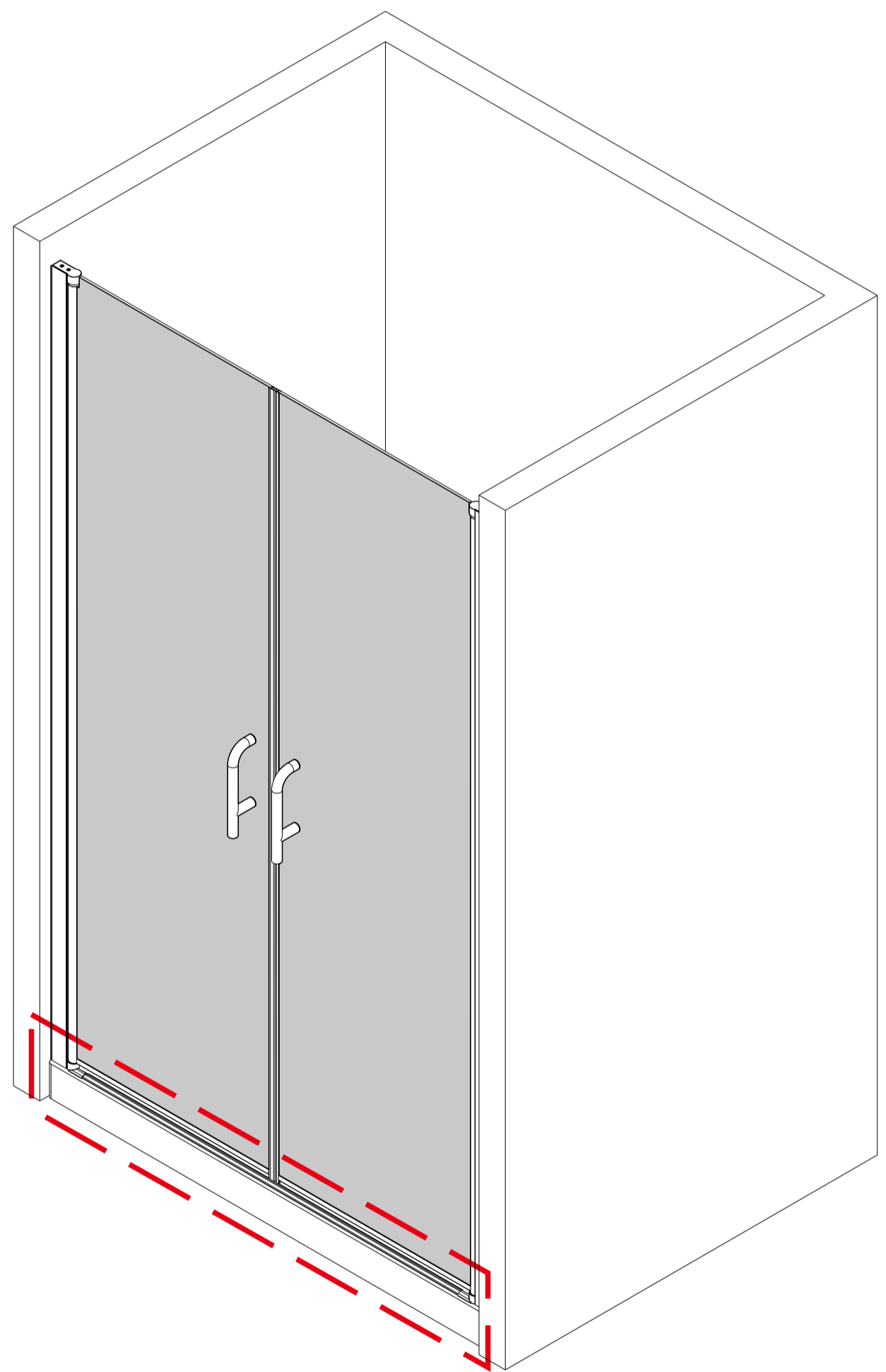
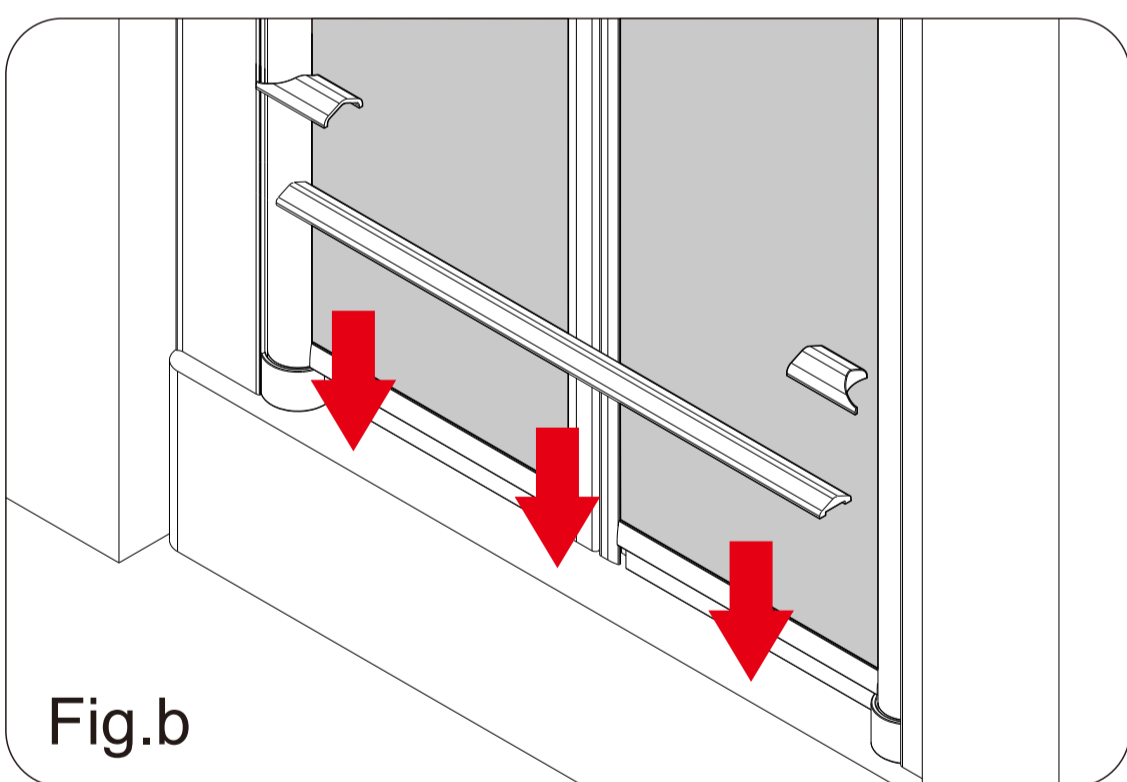
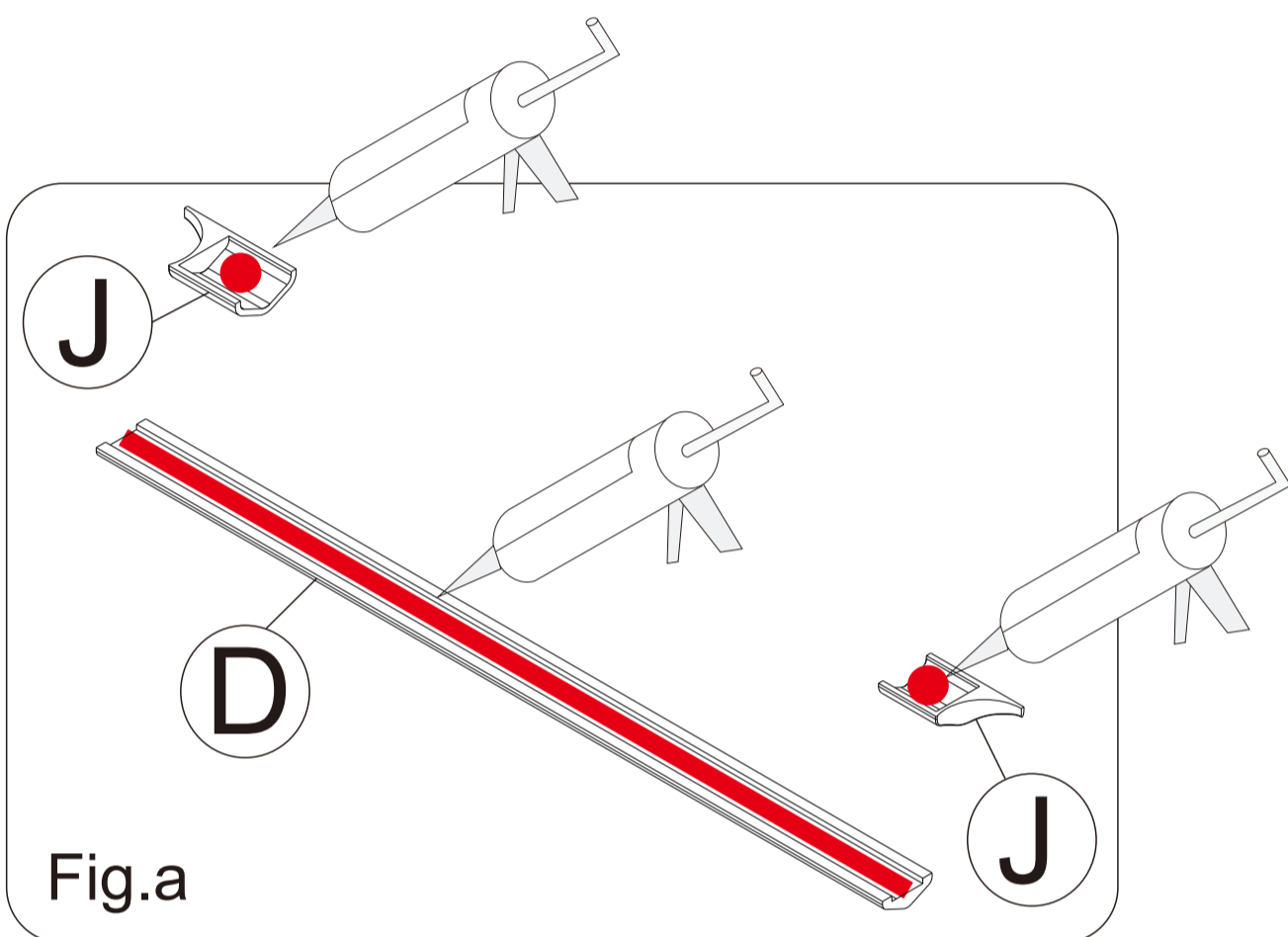


18

Install the **Alu. Threshold(D)** and **Connector(L&M)**

NOTE

1. Apply glass glue to the bottom of the **Alu. Threshold(D)** to prevent water seepage as Fig.a
2. Install the **Alu. Threshold(D)** and **Connector(J)** as Fig.b

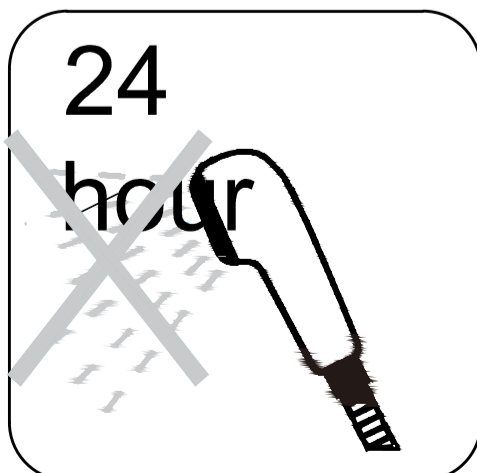
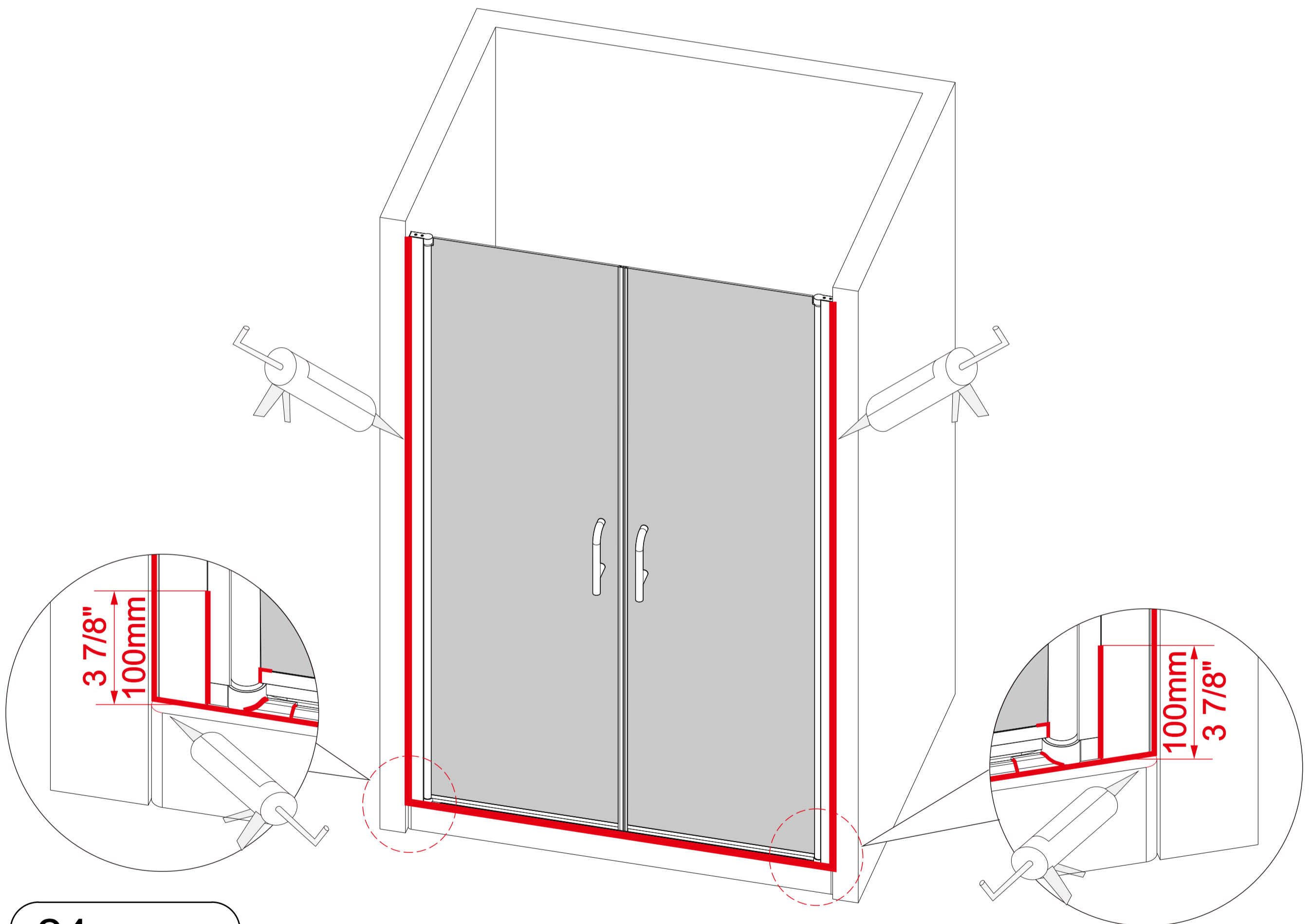


19 SEALING

NOTE The surfaces need to be clean and free of debris before applying silicone.

NOTE Make sure that the Shower door closes tightly and opens smoothly. Apply a good quality silicone sealant along the **Wall Jamb(A)** and **Alu. Threshold(D)**.

! Allow 24 hours for the silicone to cure before using the shower.



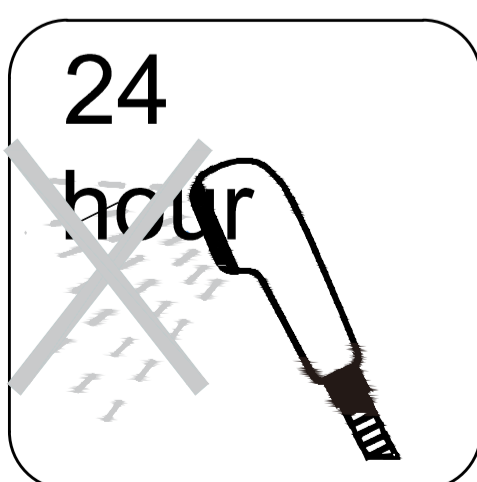
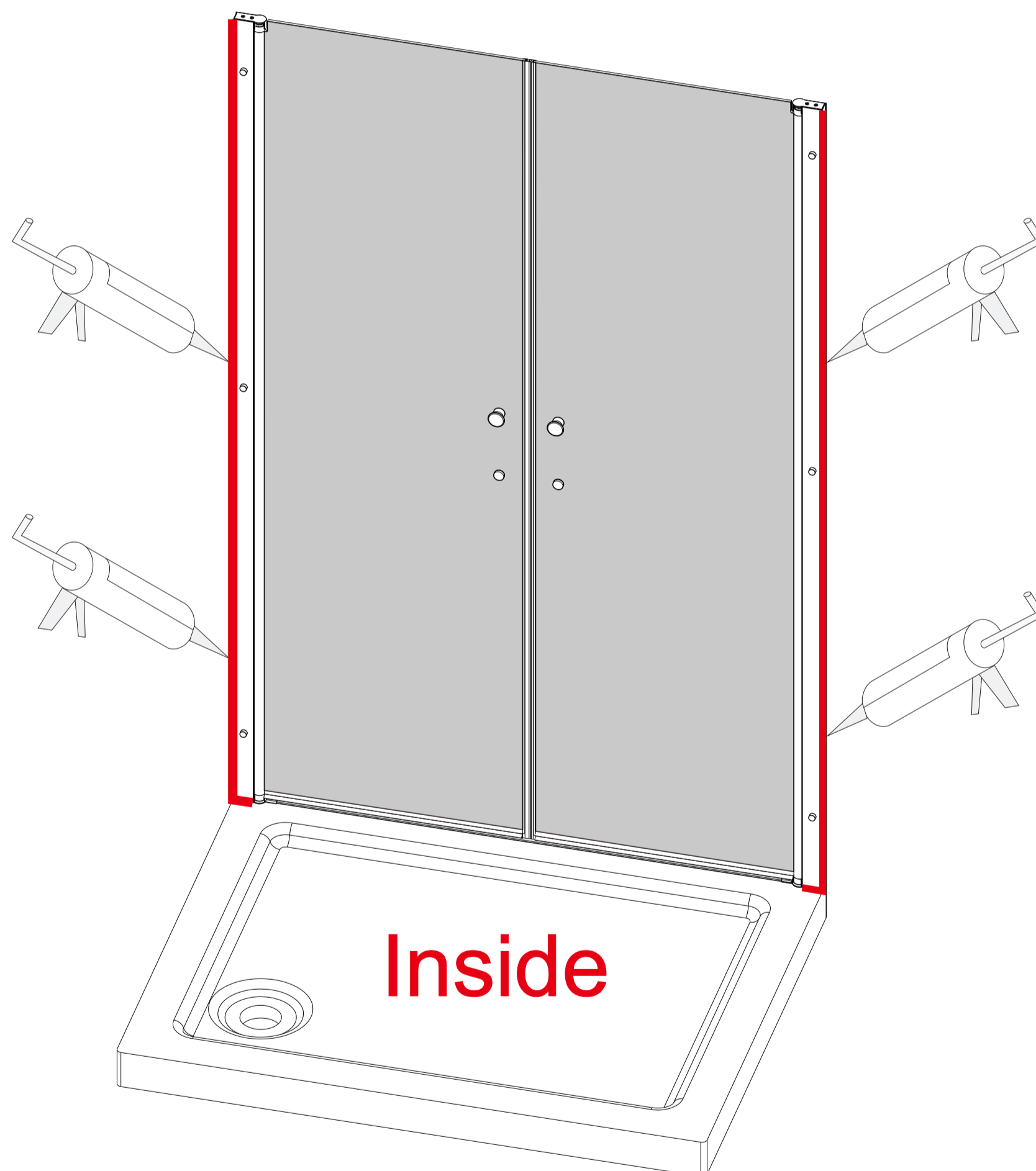
! Apply Silicone Sealant, (not supplied).

20 SEALING

NOTE The surfaces need to be clean and free of debris before applying silicone.

NOTE Make sure that the Shower door closes tightly and opens smoothly. Apply a good quality silicone sealant along the **Wall Jamb(A)** and **Alu. Threshold(D)**.

! Allow 24 hours for the silicone to cure before using the shower.



! Apply Silicone Sealant, (not supplied).