



Product Submittal	
Name	
Date	
Architect/Owner	
Contractor	
Tag	
Notes	

Iron Pipe Angle Stop Specification Sheet

Description

Used to control and shut off water flow to fixtures or appliances for maintenance and repair. 1/2 in. FIP iron pipe inlet connection makes for quick installation and quarter-turn, full-port brass ball valve makes for easy operation.

Features And Benefits

- Sleek chrome finish for an attractive appearance.
- Quarter-turn, full-port brass ball valve.
- Compatible with MIP threads.
- Can be installed in wet lines.

Specification Data

Materials	
Valve body	DZR LF brass
Knurled Handle	ABS
Valve ball	DZR LF brass
Seat	PTFE

Temperature Performance

- Minimum working temperature 33°F
- Maximum working temperature 160°F
- Maximum working pressure 125 psi

Flow Rate

- 1/4" Compression 2.2 GPM at 20 psi
- 3/8" Compression 4.0 GPM at 20 psi

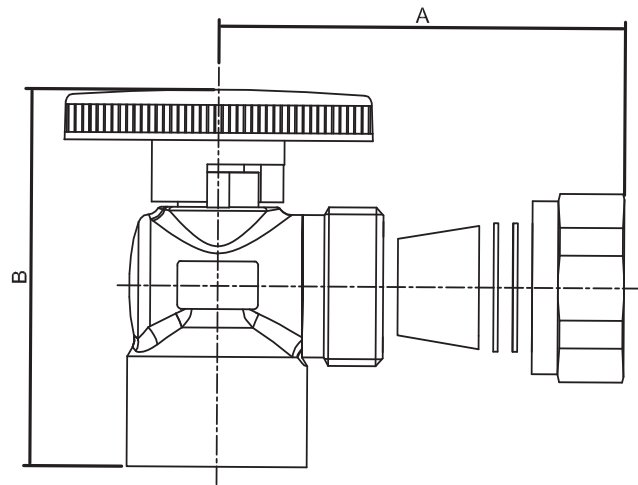
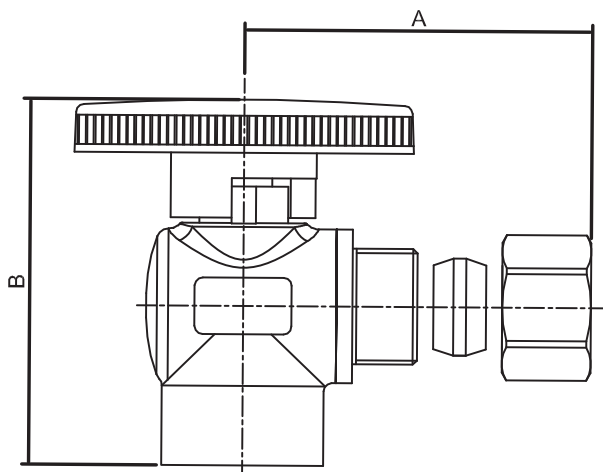


Part Listing

- FIPA1214Z 1/2 in. FIP x 1/4 in. OD Compression
- FIPA3838Z 3/8 in. FIP x 3/8 in. OD Compression
- FIPA1238Z 1/2 in. FIP x 3/8 in. OD Compression
- FIPA1212Z 1/2 in. FIP x 1/2 in. OD Compression
- FIPA1212SZ 1/2 in. FIP x 1/2 in. OD Slip Joint

Dimensions

Part Number	DIM A (IN)	DIM B (IN)
FIPA1214Z	1.02	1.97
FIPA3838Z	1.14	1.93
FIPA1238Z	1.14	1.97
FIPA1212Z	1.26	1.97
FIPA1212SZ	1.16	1.97



Codes and Listing

cUPC
 ASME A112.18.1
 CSA B125.1
 NSF/ANSI/CAN 61
 NSF/ANSI 372

