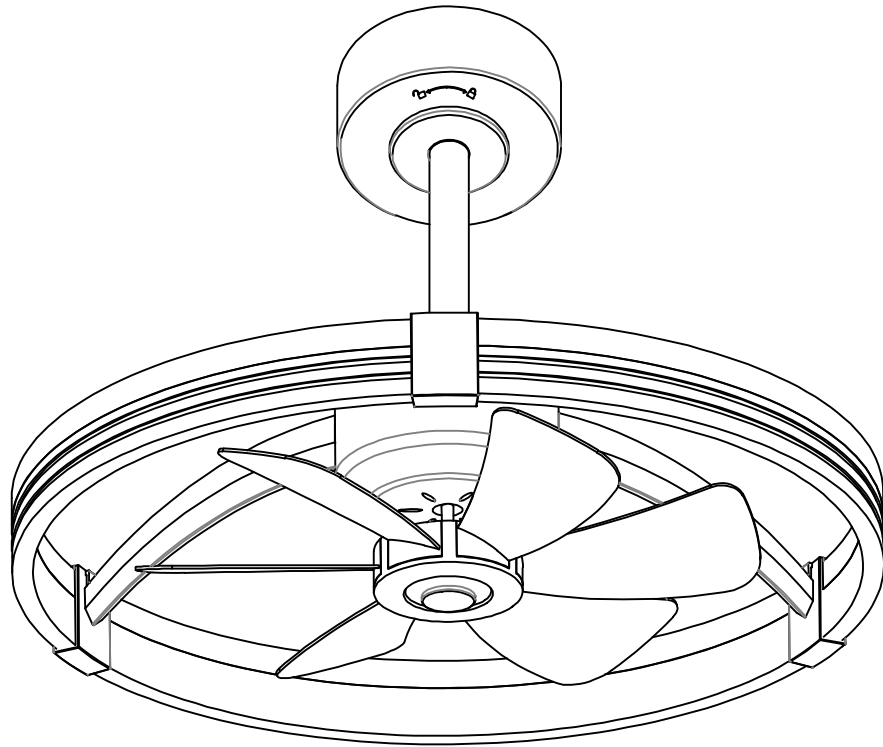


# INSTALLATION & USER MANUAL

## CEILING FAN WITH LIGHT



ITEM# 33082

Customer Service:support @ ceilingfanhelp.com

# Table of Contents

---

Table of Contents.....2  
Safety Information.....2  
Product Dimensions.....3  
Hardware Included.....3  
Fan Parts Included.....3

Installation Instructions.....4-13  
Remote Control Operation.....14  
Troubleshooting .....15

## Safety Information

---

### READ AND SAVE THESE INSTRUCTIONS

- 1, To reduce the risk of electric shock, ensure electricity has been turned off at the circuit breaker or fuse box before you begin.
2. All wiring must be in accordance with the National Electrical Code "ANSI/NFPA 70" and local electrical codes. Electrical installation should be performed by a qualified licensed electrician.
- 3, Make sure the outlet box and support structure are securely mounted and rated to safely support a fan weighing up to 35 lbs (15.9 kg); this fan must be installed on a UL-listed outlet box clearly marked "Acceptable for Fan Support of 35 lbs (15.9 kg) or less." If you are unsure about safety or compatibility, please consult a qualified electrician.
4. Do not place objects in the path of the blades.
5. To clean the fixture ,turn off the power, wait for it to cool, and wipe the fixture with a dean dry.soft cloth.
6. After making electrical connections, spliced conductors should be turned upward and pushed carefully up into the outlet box. The wires should be spread apart with the grounded conductor and the equipment-grounding conductor on one side of the outlet box and ungrounded conductor on the other side of the outlet box.
7. All screws must be checked and retightened where necessary before installation .



**WARNING:** To reduce the risk of electrical shock or fire, do not use this fan with any solid-state fan speed control device. it will permanently damage the electronic circuitry.



**WARNING:** To reduce the risk of fine or injury do not use this product in conjunction with any variable(rheostat) wall control.



**WARNING:** To reduce the risk of personal injury, do not bend the blade brackets when installing the brackets balancing the blades, or cleaning the fan. Do not insert objects.



**WARNING:** To reduce the risk of fire, electric shock or personal injury, mount to outlet box marked "acceptable for fan support of 35 lbs. (15.9 Kg) or less "and use screws provided with the outlet box



**WARNING:** To avoid possible electrical shock, turn the electricity off at the main fuse box before wiring



**WARNING:**To reduce the risk of electrical shock, this must not be installed with an isolating wall control/switch, as it may cause incompatibility issues.



**CAUTION:** To reduce the risk of personal injury,use only the screws provided with the outlet box.



**CAUTION:** Please use carefully when working around or cleaning the fan to avoid injury or damage to the fan.

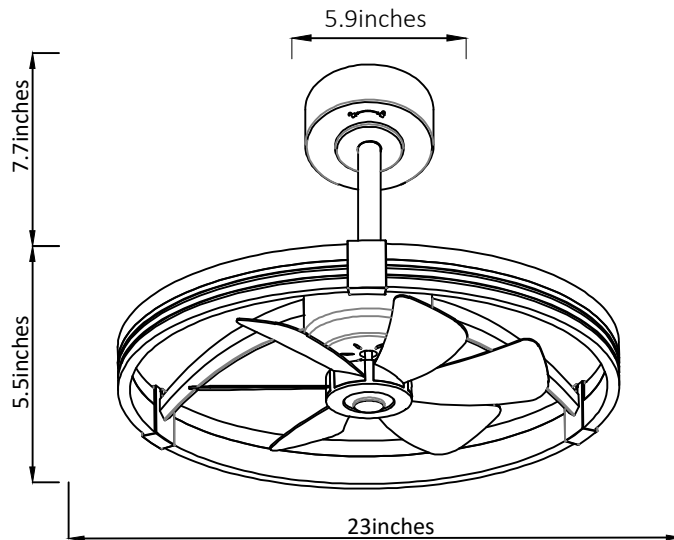


**CAUTION:** The fan must be mounted with a minimum of 7 ft (2.1 m) clearance from the trailing edge of the blades to the floor.

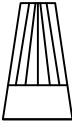
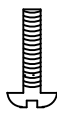

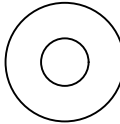




**CAUTION:** Unauthorized changes or modifications may void your right to operate this equipment.

# Product Dimensions

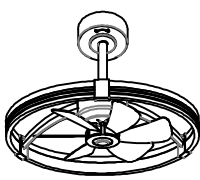

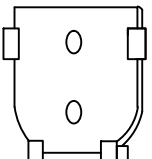
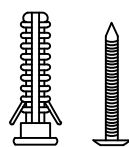


## Hardware Included

1  Wire Nut	2  J-Box Screw	3  Rubber Expansion plug
4  Washer	5  Self-Tapping Screw	6  Expansion Screw

Hardware Package	Quantity
1. Wire Nut	3
2. J-Box Screw	2
3. Rubber Expansion plug	4
4. Washer	4
5. Self-Tapping Screw	4
6. Expansion Screw	2

## Fan Parts Included

1  Ceiling Fan Housing	2  Remote Control
3  Remote Control Wall Plate	4  Remote Control Accessory Pack

Item Name	Quantity
1. Ceiling Fan Housing	1
2. Remote Control	1
3. Remote Control Wall Plate	1
4. Remote Control Accessory Plate	1

# Installation Instructions

---

## Energy Saving Usage

Proper installation and use ensure optimal fan performance and energy savings. Follow these tips:

### Optimal Fan Placement

Ceiling fans should be installed in the center of the room, at least 7.5 feet above the floor and 18 inches away from the walls. If ceiling height permits, it is recommended to install the fan between 7.5 and 9 feet above the floor for optimal airflow.

### Save Energy-Turn Off When Not in Use

If the room is unoccupied, turn off the ceiling fan to save energy.

### Year -Round Fan Use

Summer Season: Use the ceiling fan in the counterclockwise direction. The airflow created by the ceiling fan produces a wind-chill effect, making you feel cooler. Select a fan speed that provides a comfortable breeze; lower speeds consume less energy.

Winter Season: Reverse the motor and operate the ceiling fan at a low speed in the clockwise direction. This produces a gentle updraft, which pushes the warm air near the ceiling down into the occupied space. Remember to adjust your thermostat when using your ceiling fan. This simple step can lead to additional energy and cost savings

# Installation Instructions

---

## Electrical and Structural Requirements

"Your ceiling fan requires:

1. A grounded electrical supply(AC 110-130V,60Hz, 15 amp circuit).
- 2.A fan-rated outlet box (supports up to 35 lbs).

Make sure the outlet box is clearly labeled and specifically rated for ceiling fan use.

If you are replacing an existing light fixture, turn off the power at the main fuse box before removing the old fixture.



### WARNING

To ensure safety and prevent electrical shock, it is not enough to simply turn off the wall switch. Before wiring, turn off power at the main fuse box. All wiring must comply with national and local electrical codes.

Additionally, make sure the fan is properly grounded to help prevent electric shock.

Following these precautions will help ensure the safe installation and operation of your ceiling fan.



### WARNING

Do not use a variable-speed (rheostat) wall control or dimmer switch to operate this fan. Doing so may damage the fan's internal remote control receiver.

Only the provided remote control should be used to operate this fan.

# Installation Instructions

## FAN BLADE: INSTALL/REMOVE

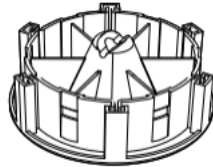
### Needed accessories:

C (6)

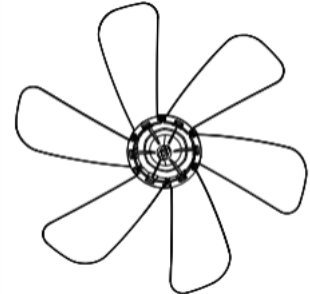


Fan blade

D (1)

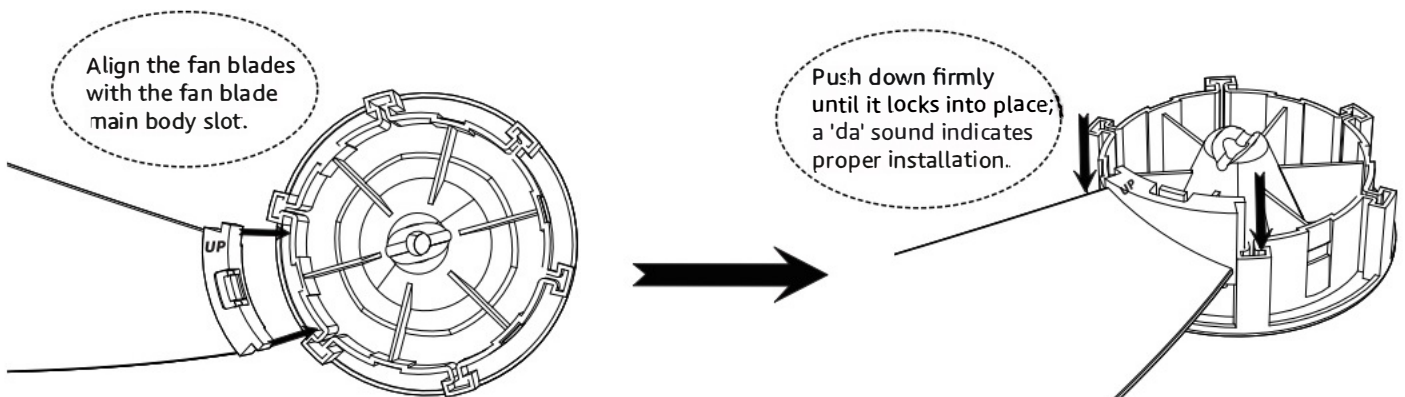


Fan blade body



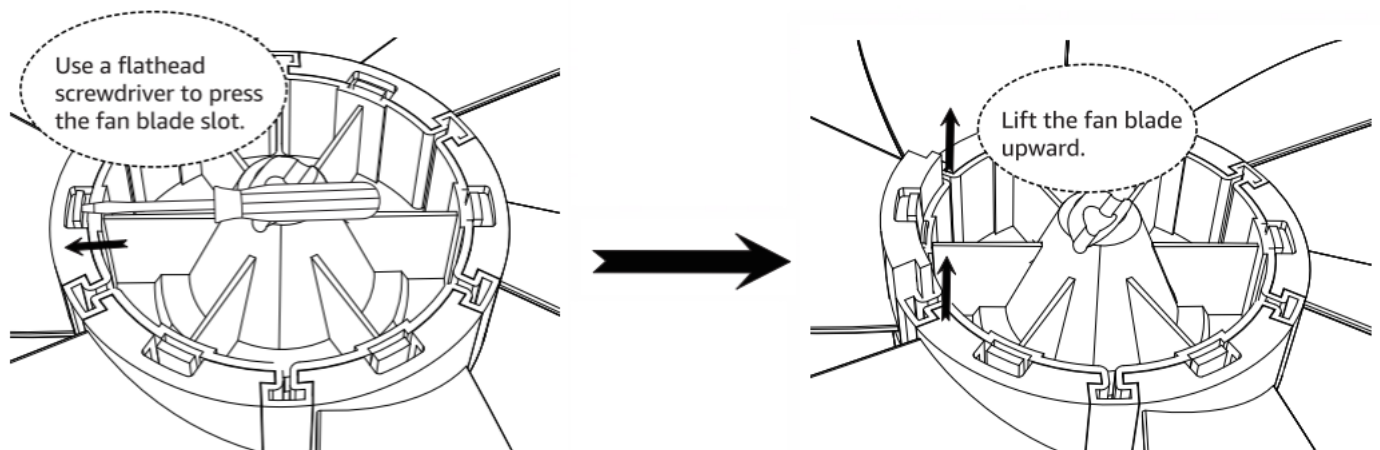
### INSTALL

Note: 'UP' mark and fan clips must face upward – incorrect orientation prevents use.



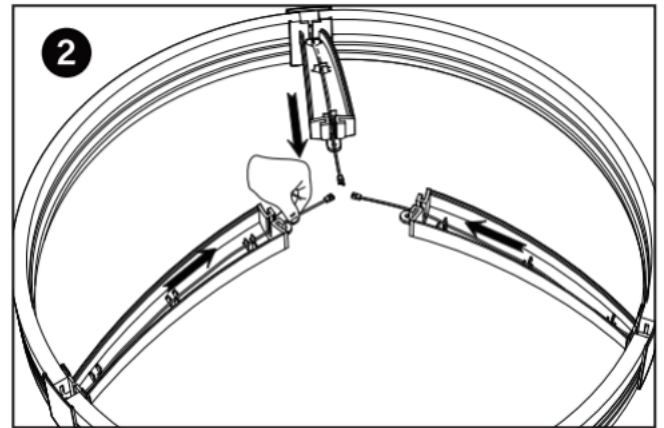
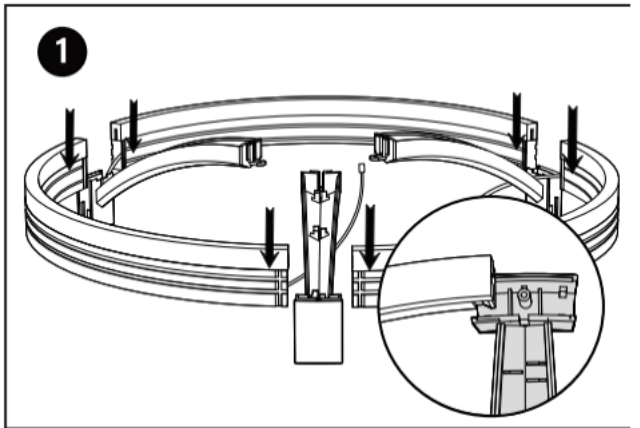
### REMOVE

Note: Please push the screwdriver towards the tail of the blade.

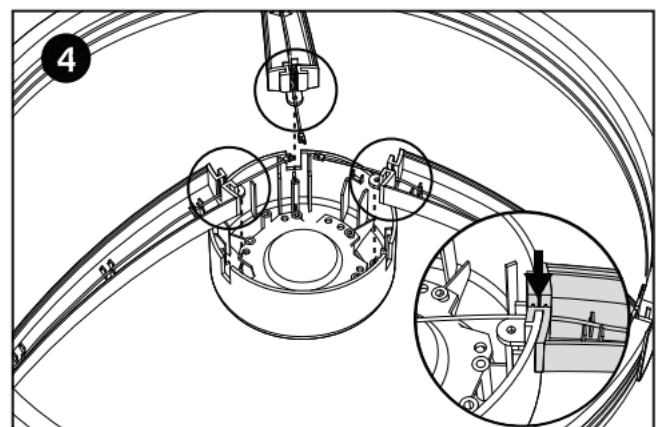
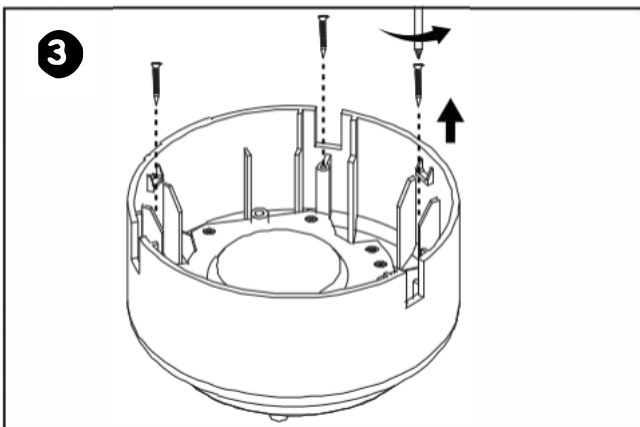


# Installation Instructions

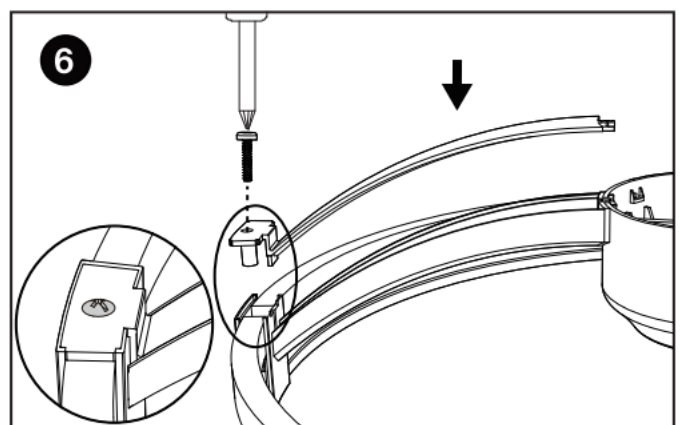
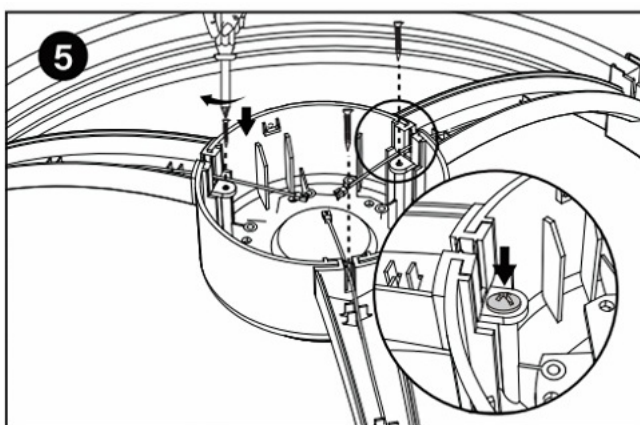
## INSTALLATION



- 1** Simultaneously move the frame arm part downward and secure it in the slot.
- 2** Route and secure the wiring harness into the frame arm's designated wire channel.



- 3** Remove the screws of the lamp body part pre-installed inside the fan motor host.
- 4** Align and snap the frame arm's retention buckle into the motor housing's designated mounting slot.

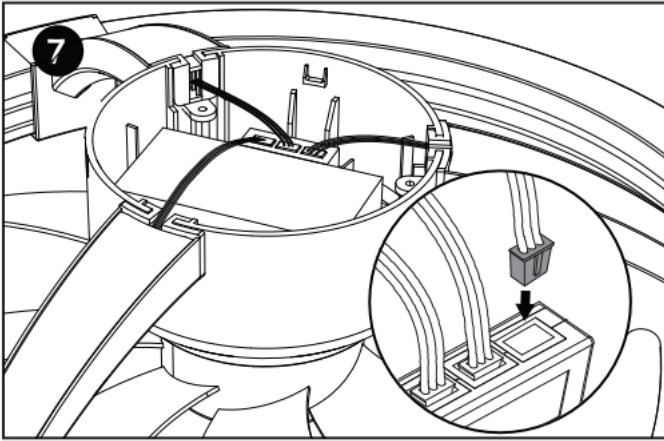


Use the screws removed in step three to tighten and secure.

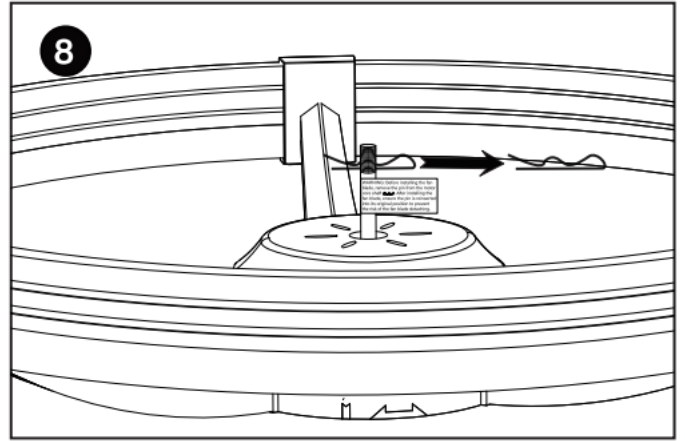
- 6** Move the frame arm cover downward and install it onto the frame arm, then tighten and secure it using the screws pre-installed on the frame arm cover.

# Installation Instructions

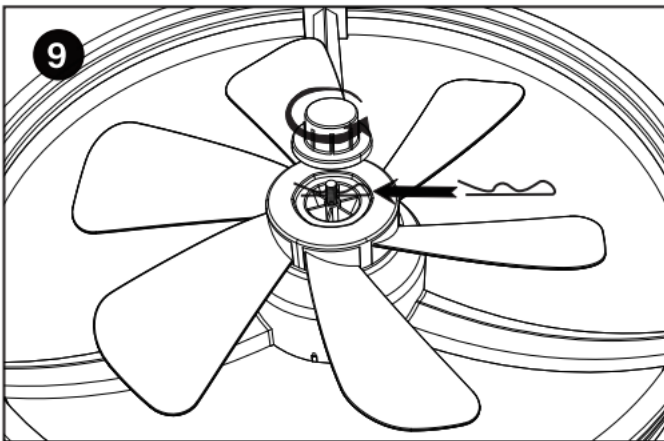
---



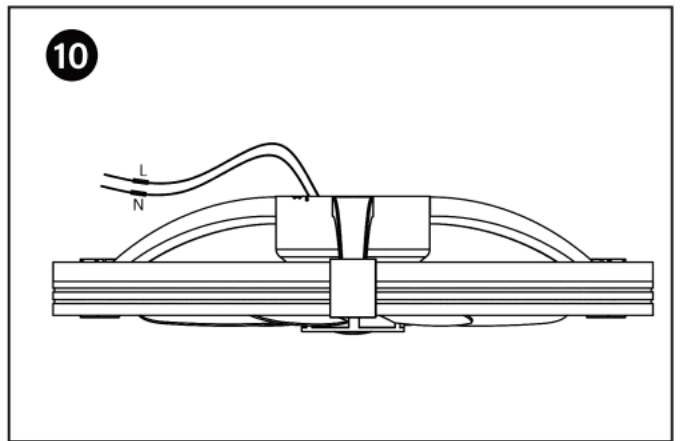
**7** Insert the three terminal connectors.



**8** Remove the pin from the motor core shaft. (Note: Remove the label.)



Align the fan blades with the motor core, insert the pin, and then screw in the fan blade cap counterclockwise to secure it.



**10** Waiting for the installation of the hanger rod

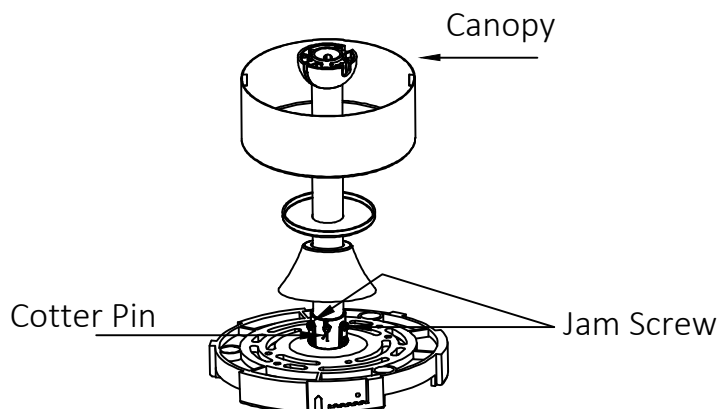
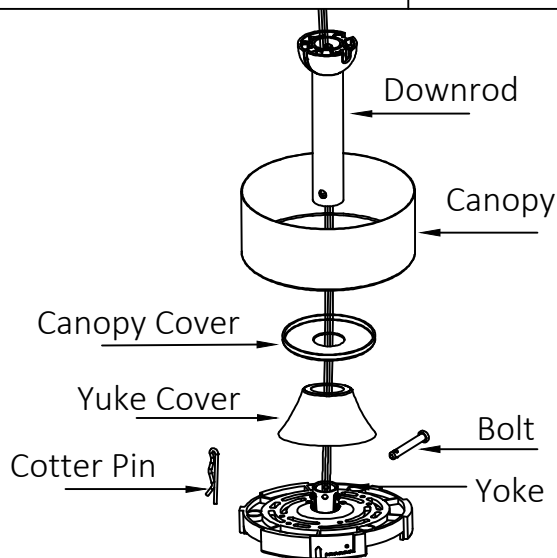
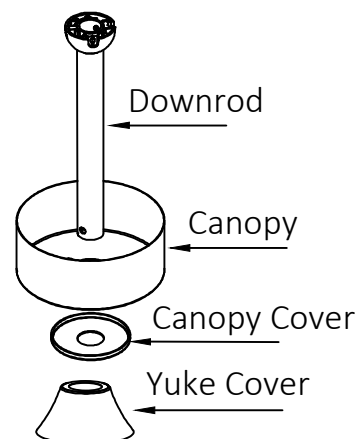
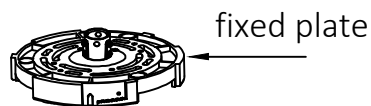
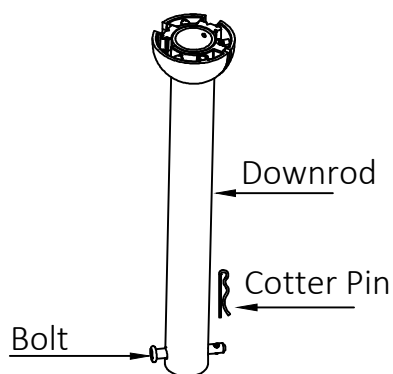
# Installation Instructions

## Install the suspension kit

- Take out fan downrod.
- Remove cotter pin and bolt from downrod
- Take out fan motor housng.
- Loosen jamscrew in yoke until it is flush with the inside surface.
- Place the downrod inside the canopy, canopy cover, and yoke cover.
- Route wires exiting motor through yoke cover, canopy and downrod.
- Insert bolt through hole in and downrod. Be careful not to damage or cut the fan wires
- Tighten bolt. Secure with cotter pin through hole in the end of the bolt.
- Secure downrod in position by tightening jam screws.
- Slide yoke cover down and it will flush with the motor housing.

CAUTION: To ensure wobble-free operation and to avoid damage to the fan, the downrod and the set crew must be completely tightened.

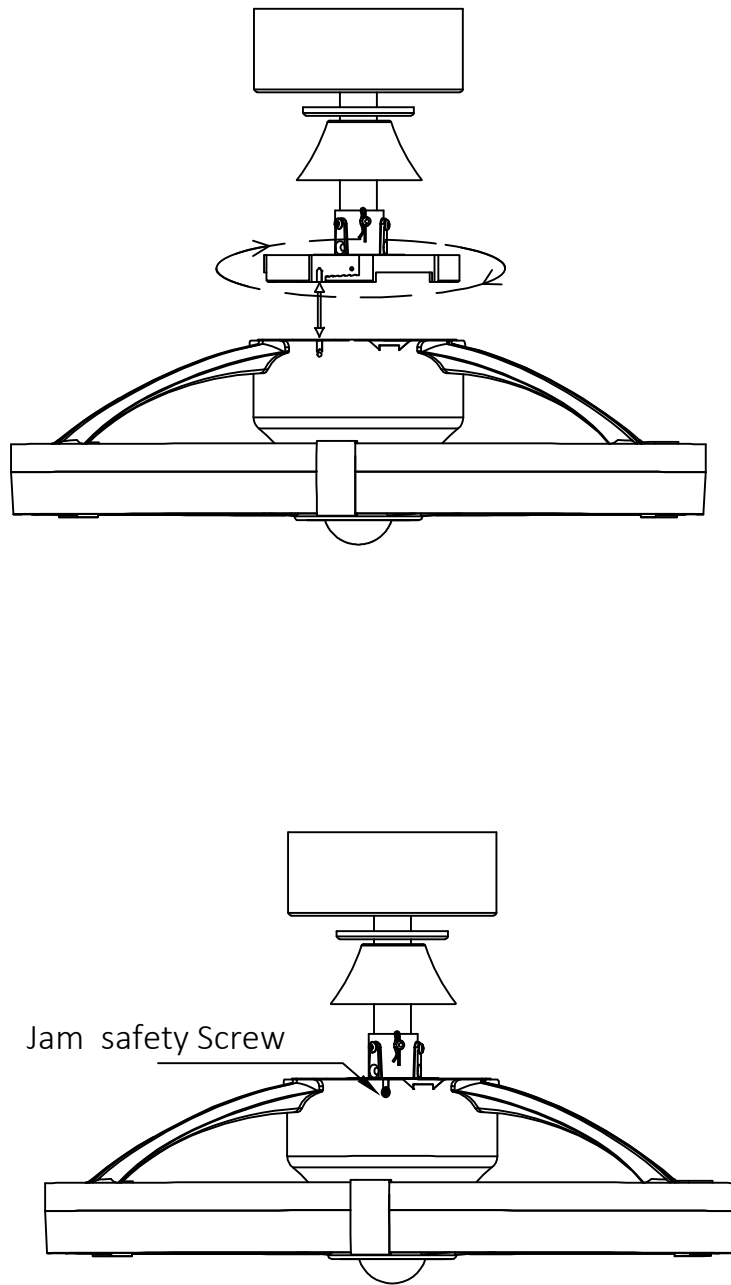
Fig.11



# Installation Instructions

## Step4 Assembling the Fan body

Fig.12

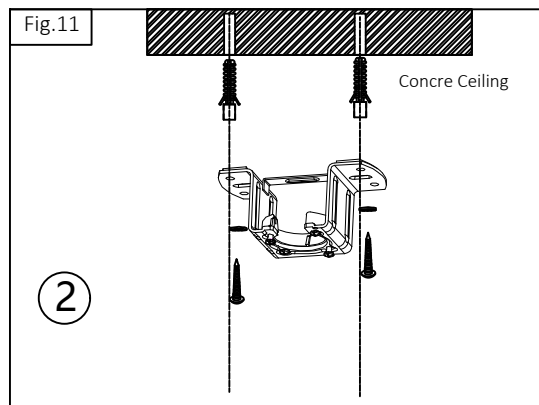
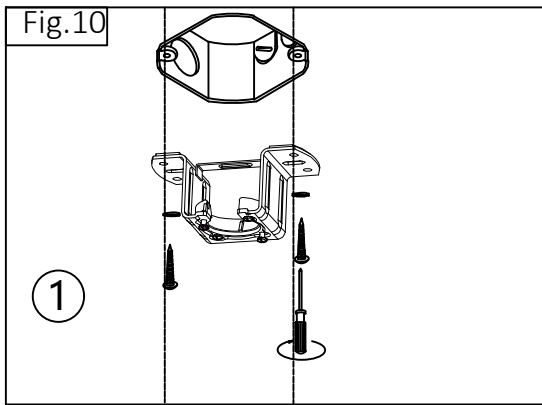


### Mounting the Ceiling Fan Housing

1. Align the upward arrow on the bottom of the lamp with the corresponding arrow on the hang board.
2. Push the lamp upwards until it is fully seated on the hang board. Then, rotate the lamp foundation clockwise to secure it.

Lock the safety screw to ensure the lamp is secure.

# Installation Instructions

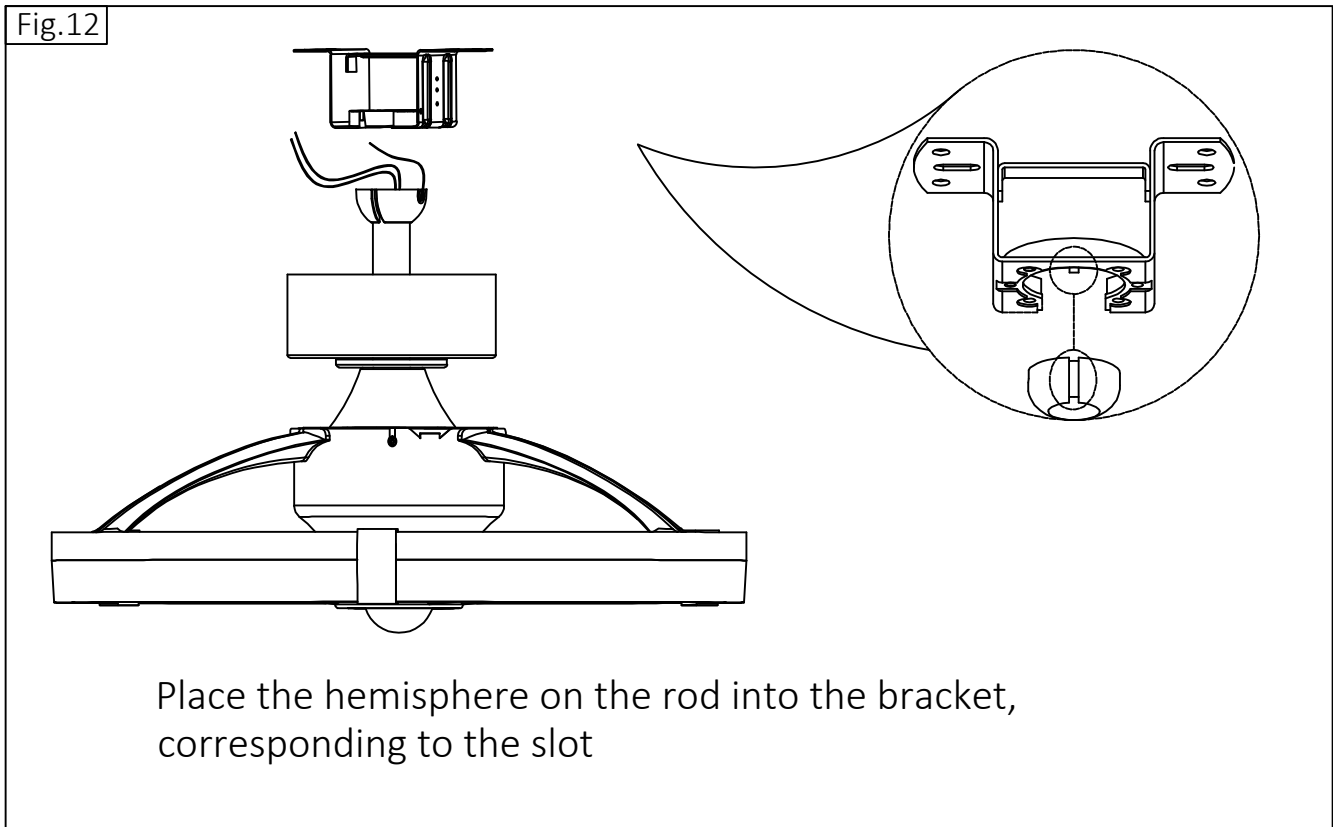


## 2. Install the fan bracket

- Attach the fan bracket to the outlet box (not included) using the provided J-Box screws.
- Secure the fan bracket to the ceiling with the two self-tapping screws.

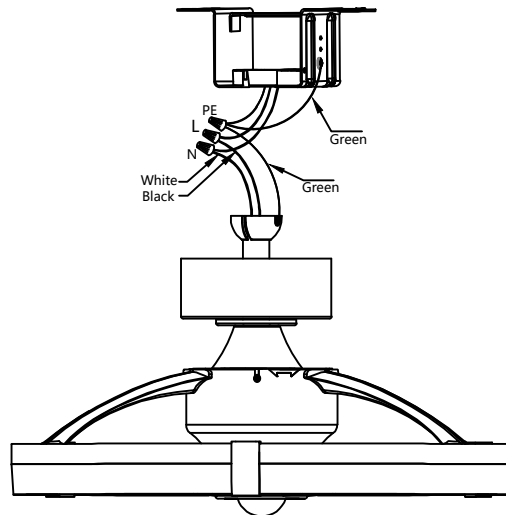
## 3. Drill and secure on Concrete Ceiling

- Drill an 6mm hole into the concrete ceiling.
- Insert the expansion screw into the hole.
- Align the fan bracket with the hole and tighten it securely with a nut.



# Installation Instructions

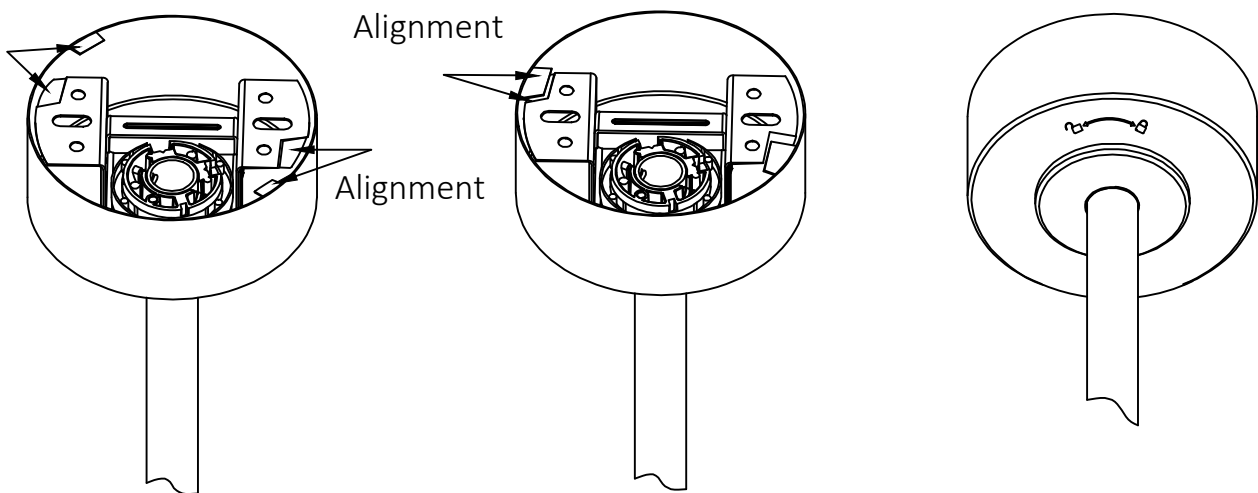
Fig.13



## Wiring Instructions

1. Neutral Wire: Connect the white wire (ceiling) to the white wire (fan).
2. Live Wire: Connect the black wire (ceiling) to the black wire (fan).
3. Ground Wire: Connect all green ground wires:
  1. From the hanging board
  2. From the fan
  3. To the ceiling interface

Fig.14

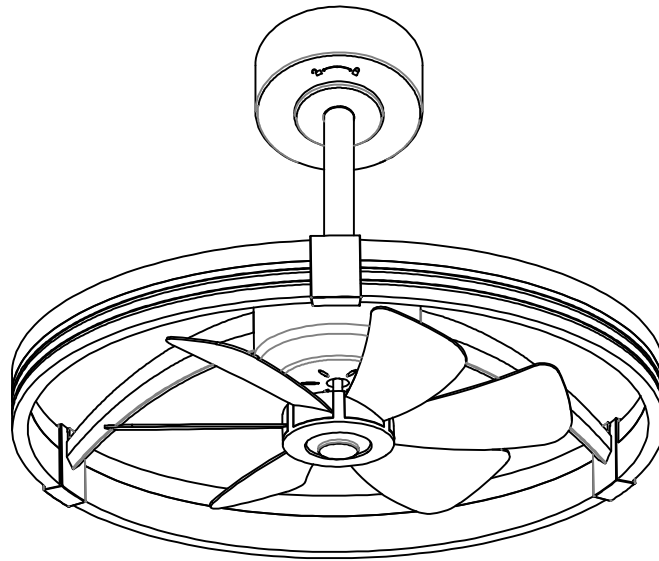


Step 14 Attaching the Canopy and rotate clockwise until it is fixed

# Installation Instructions

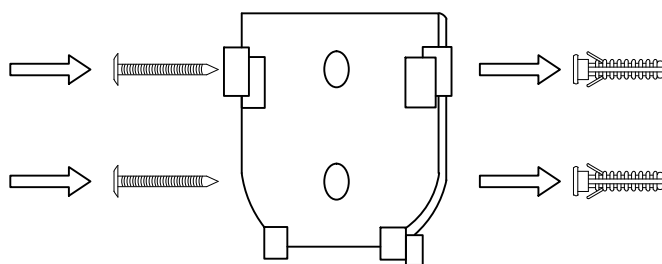
---

Fig.15



Step 15: Test lamp.

Fig.16

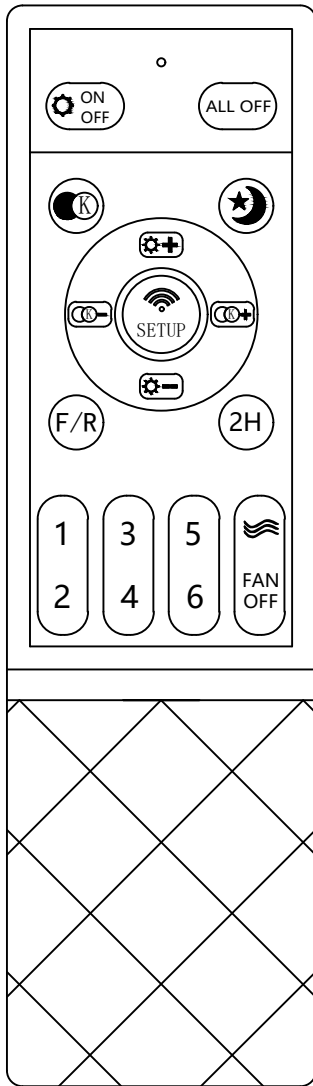


## Installing the wall Plate

Use the two screws and plastic anchors (provided) to securely attach the wall plate..

# Remote Control Operation

---



-  Light ON/OFF
-  ALL OFF
-  CCT Switch
-  Night Light
-  Brightness +
-  Brightness -
-  CCT+(cooler )
-  CCT+(warmer)
-  Fan Forward/Reverse
-  Timer
-  Fan speed
-  Nature Wind
-  Fan off
-  Pairing

## Note

The remote control has been pre,paired at the factory and is ready for use after installation.

### Pairing the Remote Control

1. Turn on the power switch.
2. within 5 seconds upon turning on , long press "SETUP" button, the light flashes 1 times , then the action is done.
3. If not , turn off the power, and repeat it after 1 minute.

### Clearing the Remote Control Code

1. Turn on the power switch.
2. Within 3 seconds, press and hold the "ALL OFF" button to clear the code.

### Troubleshooting

If the remote control does not operate the fan or lights:

1. Replace the AAA batteries (2 pieces, not included).
2. Pair the remote control again using the steps above.

# Troubleshooting

Issue	Solution
The fan will not start.	<ul style="list-style-type: none"><li><input type="checkbox"/> Check the main and branch circuit fuses or breakers.</li><li><input type="checkbox"/> Check the line wire connections to the fan.</li><li><input type="checkbox"/> Check the battery in the remote control.</li><li><input type="checkbox"/> Ensure you are in the normal range of 10-20 feet.</li><li><input type="checkbox"/> Turn the main power source off, then restore power to the unit. Within 3 seconds of turning the fan's power on, press and hold the "SET Up" button for 5 seconds to complete the pairing process. Once the receiver detects the set frequency the fan's LED light will blink once.</li></ul>
The fan is noisy.	<ul style="list-style-type: none"><li><input type="checkbox"/> Ensure all motor housing screws are snug.</li><li><input type="checkbox"/> Ensure the wire nut connections are not rattling against each other.</li><li><input type="checkbox"/> Allow a 24-hour "breaking in" period. Most noises associated with a new fan disappear during this time.</li><li><input type="checkbox"/> Ensure the canopy is a short distance from the ceiling. it should not touch the ceiling.</li><li><input type="checkbox"/> Ensure your outlet box is secure and rubber isolator pads were used between the mounting plate and outlet box.</li></ul>
The fan wobbles.	<ul style="list-style-type: none"><li><input type="checkbox"/> This fan has a one-piece blade design, fan blade balancing kit is not applicable to this product.</li><li><input type="checkbox"/> If the fan wobbles, disconnect the power by removing the fuses or turning off the circuit breakers from the main power source, then check with the following: Remove the grille from the fan body by first removing the decorative cap at the center of the grille by rotating the decorative cap anti-clockwise, use a Phillips screwdriver to tighten the screw inside of the plastic threaded nipple</li><li><input type="checkbox"/> If the wobbling persists, adjust the angle of the grille slightly to make it more perpendicular to the ground.</li><li><input type="checkbox"/> If the problem persists, please contact our customer service.</li></ul>
Fan moves backwards and forwards when turned on.	<ul style="list-style-type: none"><li><input type="checkbox"/> This is normal start-up procedure for DC motor fans. The partial movement during start-up is the result of the DC motor aligning the internal magnetic poles for proper motor operation. This design saves electricity and allows the fan to operate much quieter than standard AC motor fans.</li></ul>