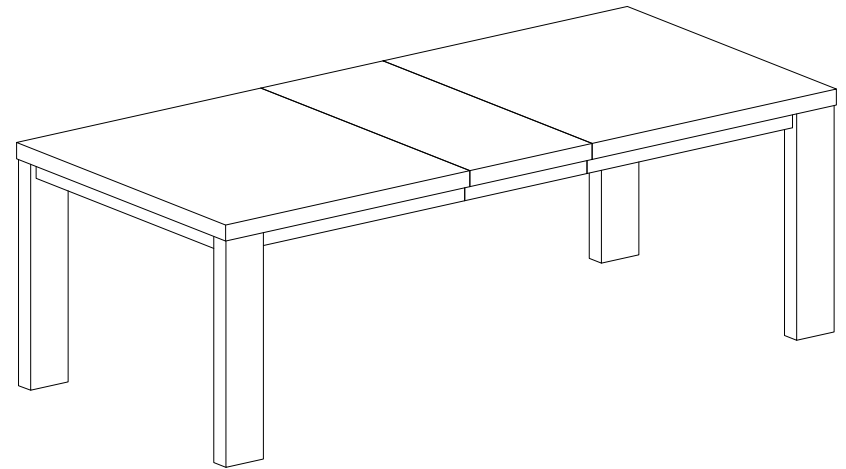


DESMOND EXTENDABLE WOOD DINING TABLE

DESIGN# SFV2194

Assembly Instructions



Need help?

Feel free to contact us via email or call
if you have any specific questions!

contact us:

cs@safavieh.com

866-422-9070

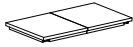
SAFAVIEH
C O U T U R E

Thanks for bringing Safavieh Couture into your home

Everything we make is incredibly simple to set up, including your new dining table. You won't need any additional tools.

Parts List

A x 1
Table Top



B x 1
Leaf



C x 4
Leg



Hardware List

HW1 x 12
Hex Socket Bolt 5/16"-18 x 2"

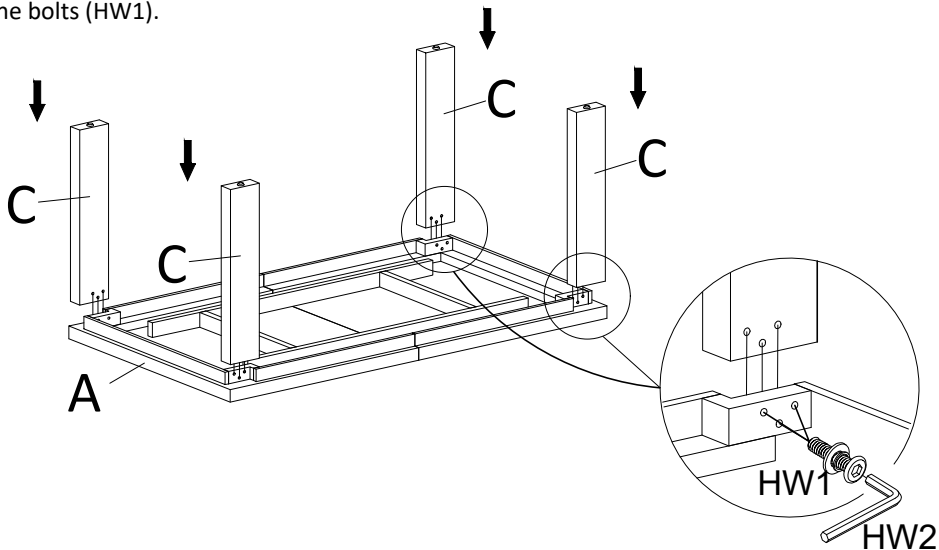


HW2 x 1
Allen Key M4



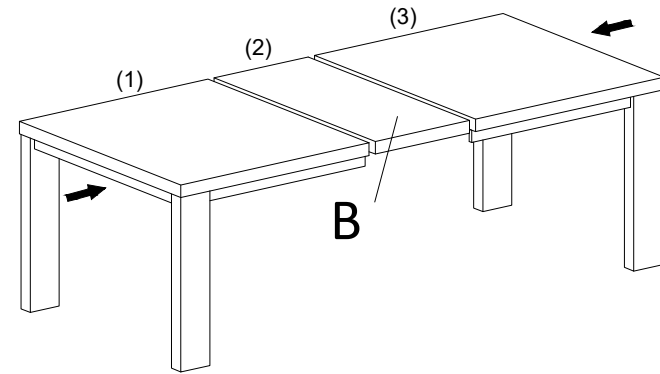
1

Place the table top (A) upside down on a soft surface. Align the screw holes on the legs (C) to the screw holes on the apron of the table top (A). Attach the legs by using the Allen key (HW2) to screw in the bolts (HW1).



2

Turn the assembled table upright. Pull the table top boards (1&3) apart. Place the leaf (B) in the middle of the 2 boards and push them back together. Lock the two boards to the leaf by using the locking latch underneath the table top.



3

Use the levelers on the bottom of the legs to adjust the table as needed to make it level. Place the dining table in the place where you will use it. We'd love to see it - just tag us (we're @safavieh) and use the hashtag #safavieh on Instagram!

