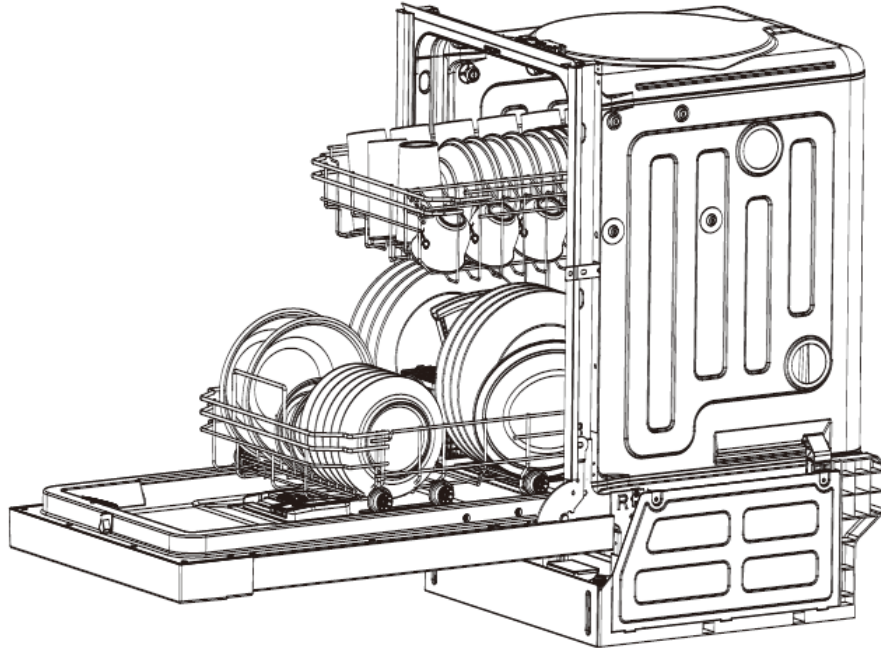


EDGESTAR<sup>®</sup>

# 18" Built-In Dishwasher



## **BIDW1802SS / BIDW1802WH BIDW1802BL**

### Owner's Manual

*For more information on other great EdgeStar products on the web, go to <https://www.edgestar.com>  
To use the EdgeStar self-diagnostic tool, go to <https://support.edgestar.com>*

# IMPORTANT SAFETY INFORMATION

Read all instructions carefully prior to use. For your safety, the information detailed in this manual should be followed. Improper use and/or handling can cause serious damage to the appliance and/or to the user including but not limited to fire, explosion, and/or electric shock, resulting in personal injury, or death. This dishwasher is intended for domestic use only; any other use may invalidate the warranty.

Use this appliance only for its intended purpose as described in this Owner's Manual.



## Electrical Safety

- The dishwasher must be connected to a grounded permanent electrical system by a licensed plumber.
- Improper connection of the equipment-grounding conductor can result in a risk of electric shock.
- Do not, under any circumstances, cut or remove the third (ground) prong from the power cord.
- Check with a qualified electrician or service representative if you are in doubt whether the appliance is properly grounded.
- Use only the correct power supply with appropriate amperage. Do not exceed the suggested power ratings.
- To minimize the possibility of electric shock, disconnect this appliance from the power supply before attempting any maintenance.
- Turning the dishwasher OFF does not disconnect the appliance from the power supply.
- Use a power supply that cannot be turned off by a wall switch or pull chain.
- Do not start or stop the dishwasher by switching the circuit breaker's power on and off.
- Never plug or unplug the dishwasher with wet hands.
- Always turn the unit off and disconnect it from the power supply before cleaning or maintenance.
- If the power cord is damaged, it must be replaced by the manufacturer, a service agent, or a qualified technician.
- Keep the unit and control panel dry; do not spray water directly on the control panel to avoid electric shock.



**Caution:** Hydrogen gas is flammable. Under certain conditions, hydrogen gas may be produced in a water heater that has not been used for more than two weeks. To prevent the possibility of damage and/or injury, turn on all hot water faucets and allow them to run for several minutes. Do this before using any electrical appliance connected to the hot water system. This simple procedure will release any built-up hydrogen gas. Since hydrogen gas is flammable, do not smoke, use an open flame, or use any appliance during this process.



## General Safety

- Installation, maintenance and repair should be performed by a qualified installer. Work by unqualified persons could be dangerous and may void the warranty.
- This dishwasher should be properly installed and placed in a location in accordance with the Installation Instructions prior to operation.
- Do not attempt to repair or replace any part of your dishwasher unless it is specifically recommended in this manual.
- All other service maintenance should be completed by a qualified technician.
- Use this appliance only for its intended purpose as described in this Owner's Manual.
- This dishwasher must be installed indoors.
- This appliance is not intended for use by children.
- Do not allow children to play with, on, or inside this or any appliance.
- Close supervision is necessary if this appliance is used near children.
- Use caution when opening or closing the door to avoid injury.
- Use only powder, tabs, liquid detergents, or rinse agents recommended for use in a dishwasher and keep them out of the reach of children.
- Using a detergent that is not specifically designed for dishwashers may have an undesired result such as excessive suds.
- To avoid damage to the door seal, place sharp items strategically.
- Load sharp knives handle-side up to reduce the risk of injury.
- Do not wash plastic unless it is marked as dishwasher safe. For plastic items not marked as dishwasher safe, refer to the manufacturer's recommendations.
- Do not operate your dishwasher unless everything enclosed is securely in place.
- Do not tamper with controls.
- Do not sit or stand on the door or dish rack of the dishwasher.
- The door should remain closed. Left in the down position, the door presents a tripping hazard.
- Do not discard the dishwasher without removing the door.
- Do not store or use combustible materials such as gasoline or other flammable vapors and liquids in the vicinity of this or any other appliance.
- Contents washed in Sanitize or Hi Temp mode may be hot to the touch. Use care before handling.
- Do not wash non-dishware items such as furnace filters, paint brushes, etc. in your dishwasher. Discoloration, staining, and/or other damage to dishwasher may result.
- Do not touch the heating element during or immediately after use.



**Note:** This owner's manual is provided for reference use only. Specifications may change without prior notice. Refer to the product label on the back of your dishwasher for the latest technical information.

# Table of Contents

|   |            |
|---|------------|
| <b>IMPORTANT SAFETY INFORMATION</b> .....               | <b>I</b>   |
| <b>TABLE OF CONTENTS</b> .....                          | <b>III</b> |
| <b>FIRST TIME OPERATING INSTRUCTIONS</b> .....          | <b>1</b>   |
| <b>INTRODUCTION</b> .....                               | <b>1</b>   |
| <b>PARTS IDENTIFICATION</b> .....                       | <b>2</b>   |
| Front View with Door Open .....                         | 2          |
| Front View with Door Closed.....                        | 3          |
| <b>UNPACKING THE DISHWASHER</b> .....                   | <b>3</b>   |
| <b>FEATURES OF YOUR NEW DISHWASHER</b> .....            | <b>4</b>   |
| Multiple Filter System.....                             | 4          |
| Smart Wash System .....                                 | 4          |
| How Your Dishwasher Cleans .....                        | 4          |
| <b>OPERATING INSTRUCTIONS</b> .....                     | <b>4</b>   |
| Pre-Check .....   | 4          |
| Quick Start.....  | 5          |
| Control Panel.....                                      | 5          |
| Cycle Chart.....  | 7          |
| <b>PREPARING AND LOADING DISHES</b> .....               | <b>8</b>   |
| Dish Preparation .....                                  | 8          |
| Loading the Lower Basket.....                           | 8          |
| Loading the Upper Basket.....                           | 9          |
| Adjusting the Upper Basket.....                         | 9          |
| Loading the Silverware Basket.....                      | 10         |
| Forgot to Add a Dish? .....                             | 11         |
| <b>FILLING DETERGENT AND RINSE AID DISPENSERS</b> ..... | <b>11</b>  |
| Only Use Proper Detergent.....                          | 11         |
| Filling the Detergent Dispenser.....                    | 11         |
| Filling the Rinse Aid Dispenser .....                   | 13         |
| Completing a Wash Cycle .....                           | 14         |
| <b>DISHWASHER MAINTENANCE</b> .....                     | <b>15</b>  |
| Cleaning the Exterior.....                              | 15         |
| Cleaning the Interior.....                              | 15         |
| Cleaning the Filter System .....                        | 15         |
| Cleaning the Lower Spray Arm .....                      | 18         |
| Protecting Against Freezing .....                       | 18         |
| Preparation for Storage .....                           | 18         |
| Moving the Dishwasher .....                             | 18         |
| <b>TROUBLESHOOTING</b> .....                            | <b>19</b>  |
| Error Codes.....  | 19         |
| Troubleshooting Guide.....                              | 20         |
| <b>SPECIFICATIONS</b> .....                             | <b>22</b>  |
| <b>EDGE STAR LIMITED WARRANTY</b> .....                 | <b>23</b>  |

# First Time Operating Instructions

Before use, make sure all packaging labels and materials are removed from the unit. Be sure to keep track of all included parts and pieces before discarding the packaging materials. It is advised that you keep the original box and packaging materials in case you ever need to move or ship the appliance in the future.

## Introduction

Thank you for purchasing this EdgeStar dishwasher. We hope that this purchase will be the beginning of a lasting and rewarding relationship between you and EdgeStar. We will provide the customer support and exemplary products necessary to nurture that relationship.

This manual contains important information regarding the proper installation, use, and maintenance of your dishwasher. Following this manual will ensure that your product will work at its peak performance and efficiency.

Please save the original product packaging in case you need to safely transport your dishwasher.

### For Your Records:

Please write down the model number and serial number below for future reference. Both numbers are located on the ratings label on the back of your unit and are needed to obtain warranty service. You may also want to staple your receipt to this manual as it is the proof of your purchase, and is also needed for service under your warranty.

Model Number: \_\_\_\_\_

Serial Number: \_\_\_\_\_

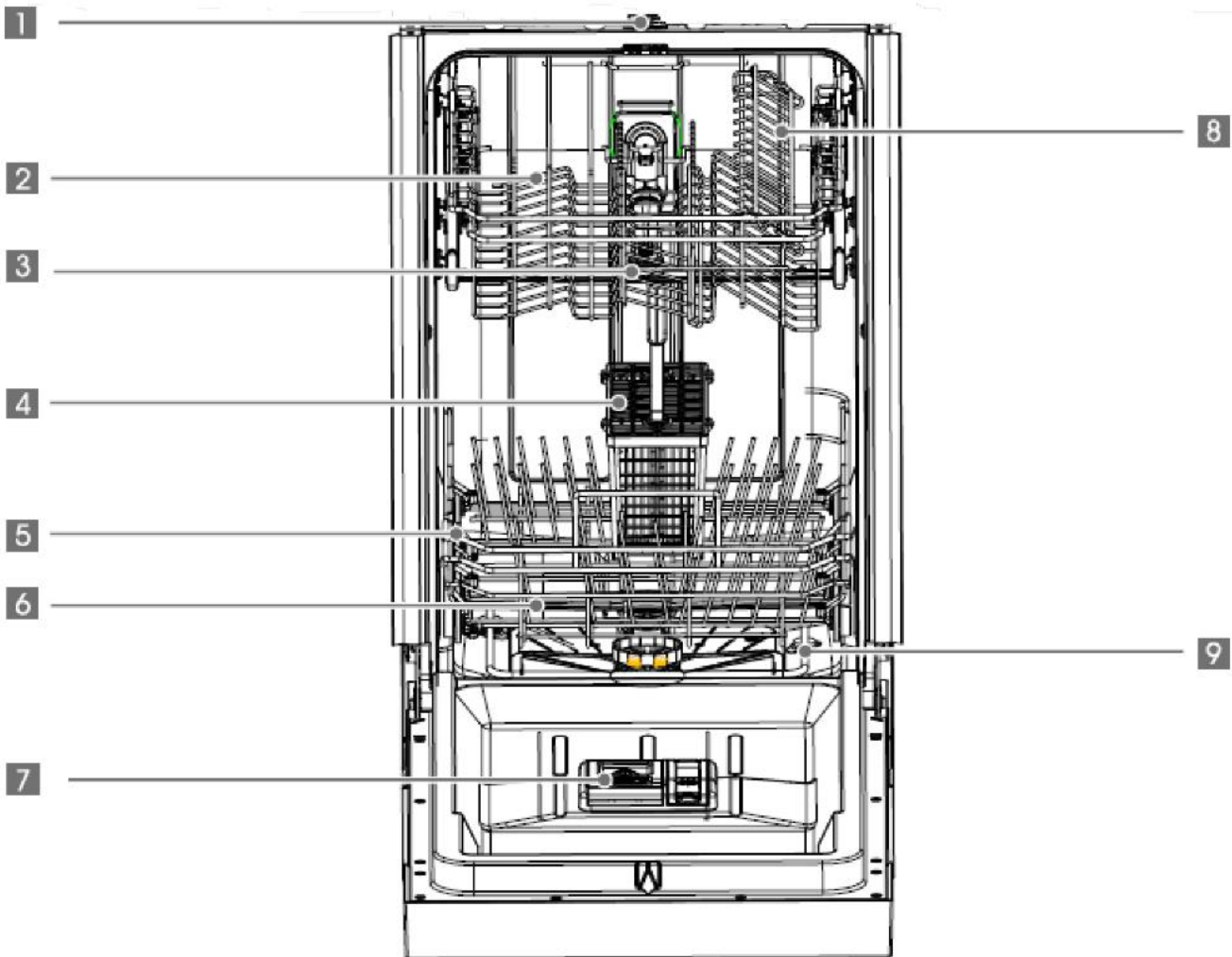
Date of Purchase: \_\_\_\_\_

For a more efficient experience, please do the following before contacting customer service:

- If you received a damaged product, immediately contact the retailer or dealer that sold you the product.
- Read and follow this instruction manual carefully to help you install, use, and maintain your dishwasher.
- Read the troubleshooting section of this manual as it will help you diagnose and solve common issues.
- Visit us on the web at <https://www.edgestar.com> to register your product, download product guides, and access additional troubleshooting resources and up-to-date information. You can also find an interactive self-diagnostic tool at <https://support.edgestar.com>
- If you need warranty service, our friendly customer service representatives are available via email at [service@edgestar.com](mailto:service@edgestar.com).

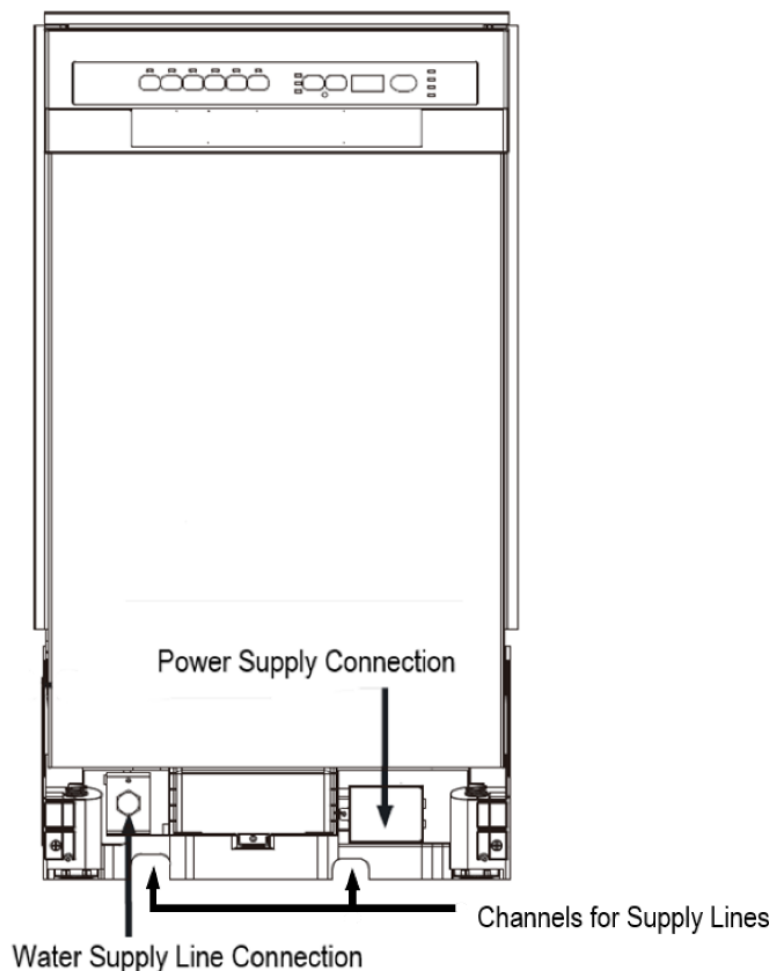
# Parts Identification

## Front View with Door Open



- |                          |                              |
|--------------------------|------------------------------|
| <b>1</b> Lock            | <b>6</b> Lower Spray Arm     |
| <b>2</b> Upper Basket    | <b>7</b> Rinse Aid Dispenser |
| <b>3</b> Upper Spray Arm | <b>8</b> Cup Shelf           |
| <b>4</b> Cutlery Basket  | <b>9</b> Heating Element     |
| <b>5</b> Lower Basket    |                              |

## Front View with Door Closed



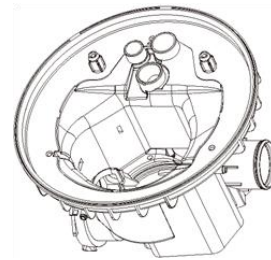
## Unpacking the Dishwasher

- Use at least two people to move and install the dishwasher to prevent injuries. Always lift the dishwasher to move it as sliding it can damage its base and feet, or floor surfaces.
- Carefully remove the packaging materials and inspect the dishwasher for damage. If the dishwasher is damaged immediately contact the dealer that sold you the product. We recommend that you retain the carton and all packing materials in case you ever need to move or ship the appliance in the future.
- Remove any shipping labels or tape from your dishwasher before using. Do not use sharp instruments, rubbing alcohol, flammable fluids, or abrasive cleaners to remove labels or tape. These products can damage the surface of your dishwasher.
- Check to make sure all provided installation accessories are included. If any parts are missing, please contact customer service. Make sure to locate and set aside the dishwasher's kick plate. The kick plate is attached to the packing material of the dishwasher.
- Put the dishwasher on a level and flat surface that is able to support its entire weight.
- DO NOT remove the sound-absorbent padding that surrounds the exterior of the tub of the dishwasher.

# Features of Your New Dishwasher

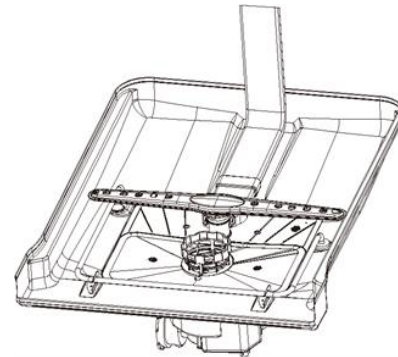
## **Multiple Filter System**

Your dishwasher has a Multiple Filter System. In the system there are three filters that can separate soiled water and clean water in different chambers. This Multiple Filter System improves your dishwasher's performance with less water and energy use.



## **Smart Wash System**

Your dishwasher also has a Smart Wash System. When a partial load of lightly soiled dishes is placed into the unit, a short wash cycle will automatically be performed. When a full load of heavily soiled dishes is placed into the unit, a heavy wash cycle will automatically be performed. The Smart Wash System can determine the length of the cycle required to clean the dishes and will clean more efficiently every time.



## **How Your Dishwasher Cleans**

Your dishwasher cleans by spraying a mixture of hot water and detergent onto soiled dish surfaces through the two spray arms. The unit first fills with water covering the filter area. Water is then pumped through the multiple filter system and spray arms. Separated soil particles go down the drain as water is pumped out and replaced with clean water. The number of water fills will vary with the cycle being used.

Cycle times are approximate and will vary with the options selected. Hot water is necessary to activate the detergent and melt fatty food soils. An automatic sensor checks the incoming water temperature. If it is not at the appropriate temperature the timer will delay the cycle to allow automatic water heating during the main wash. When the Hi temp or Sanitize option is selected an even higher temperature will be used to handle heavier soiled loads.

## **Operating Instructions**

To get the best performance from your dishwasher, read all operating instructions in this manual.

### **Pre-Check**

Pre-check the following things before using the dishwasher:

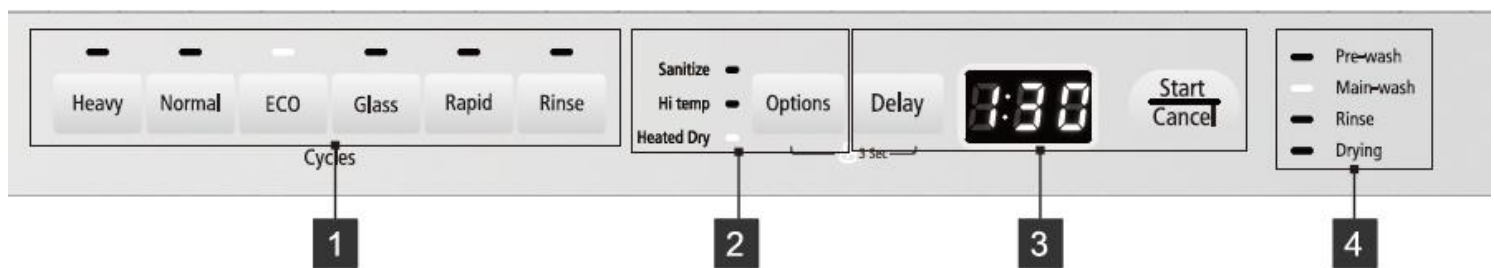
1. The dishwasher is level.
2. The inlet valve is open.
3. The hot water valve is open.
4. There are no leaks at the drain or inlet ports.
5. The unit's power plug is connected to a grounded outlet.
6. The power is switched on.
7. There are no kinks in the drain and inlet hoses.
8. All packing and printed materials are removed from the dishwasher.



## Quick Start

1. Load the dishwasher (see Preparing and Loading Dishes section.)
2. Add detergent (see Filling the Detergent Dispenser.)
3. Add LIQUID rinse aid (see Filling the Rinse Aid Dispenser.) Rinse aid greatly improves drying and reduces water spots and film. The heated drying option will not perform as well without rinse aid. If the rinse aid is low or none is added the Status Display will show the error code "LSb."
4. Close the door.
5. Select the desired Wash Cycle (see Control Panel and Cycle Chart.)
6. Select the desired Options (see Control Panel.) The indicator light(s) next to the Options button will glow when selected.
7. Run the hot water faucet nearest the dishwasher until the water is hot, then turn it off.
8. To Start, press Start/Cancel (see Control Panel.)

## Control Panel



### 1. Wash Cycles

- **Heavy** – This cycle is for hard to clean, heavily soiled dishes, pots and pans.
- **Normal** – This is the standard cycle. It is for regularly soiled dinner dishes and silverware.
- **ECO** – Suitable for cleaning normally soiled tableware. This is the most efficient cycle in terms of energy and water consumption.
- **Glass** – For lightly soiled loads such as glasses, crystal and china.
- **Rapid** – A shorter wash for lightly soiled loads that do not need drying.
- **Rinse** – Use for rinsing dishes, glasses and silverware that will not be washed right away.

### 2. Options

- **Sanitize** – This option maintains the water temperature at 156°F (69°C) max. The max temperature may not be reached if the incoming water temperature is too low. The Sanitize option is only available for Heavy, Normal and ECO cycles.
- **Hi Temp** – This option maintains the water temperature at 140°F (60°C) max. The Hi Temp option is available for Heavy, Normal, ECO and Glass cycles.
- **Heated Dry** – When this option is selected the electric heater works during the drying cycle. The Heated Dry option is available for all cycles except Rinse.

### 3. Additional Features

- **Delay** – To delay the start of a selected cycle, press the Delay button until the desired delay time shows (in hours) on the display. You can delay the start for 1 to 24 hours. Press Start/Cancel once to begin the delay timer. To cancel the delay start function before the time period is over, press the Start/Cancel button again.

- **Status Display** – If the Delay Start function is selected, the number of HOURS (H:01 – H:24) remaining in the delay time is shown. After a Wash Cycle is selected, the remaining time of the cycle is shown in hours and minutes (2:45 – END or -:--.) In certain situations that are critical to the dishwasher's function and safe operation, the display may show error codes. If error codes are displayed, contact the dealer for help in trouble shooting the problem. See error codes on page 18.
- **Start/Cancel** – Press to start a Wash Cycle or to start the Delay time. Press again to cancel the cycle. When canceling a cycle the timer will count down from 60 seconds to allow the unit to drain. If you want to Pause a cycle (e.g. to load additional plates), simply open the door. WARNING - contents may be hot! Close the door and press start again to continue the cycle.
- **Control Panel Lock** – To disable the Control Panel press and hold both the Options and Delay buttons for 3 seconds (the lock indicator light will turn on.) To turn the Control Panel back on press and hold both buttons for another 3 seconds (the lock indicator light will turn off.)

#### 4. Cycle Progress Indicator

- When Pre-wash, Main-wash, Rinse or Drying is lit the Wash Cycle is currently in that stage.
- When the selected cycle is complete all indicator lights will be turned off and the display will read END.

## Cycle Chart



**Note:** The remaining time can suddenly increase or decrease by several minutes. This means the Smart Sensor has checked the soil level and determined if additional water fills need to be added or subtracted.

| Wash Cycle | Description                      | Water Use (Gal./Lit.)  | Cycle Time (Min.) |
|------------|----------------------------------|------------------------|-------------------|
| Heavy      | Pre-wash                         | 5.2 G / 19.7 L         | 145 - 160         |
|            | Main-wash (140°F/60°C)           |                        |                   |
|            | Rinse (149°F/65°C)               |                        |                   |
|            | Rinse with Sanitize (156°F/69°C) |                        |                   |
|            | Drying                           |                        |                   |
| Normal     | Pre-wash                         | 2.5-4.9 G / 9.5-18.5 L | 135 - 155         |
|            | Main-wash (131°F/55°C)           |                        |                   |
|            | Rinse (140°F/60°C)               |                        |                   |
|            | Rinse with Sanitize (156°F/69°C) |                        |                   |
|            | Drying                           |                        |                   |
| ECO        | Pre-wash                         | 4.1 G / 15.5 L         | 105 - 130         |
|            | Main-wash (122°F/50°C)           |                        |                   |
|            | Rinse (131°F/55°C)               |                        |                   |
|            | Rinse with Sanitize (156°F/69°C) |                        |                   |
|            | Drying                           |                        |                   |
| Glass      | Pre-wash                         | 4.1 G / 15.5 L         | 95 - 100          |
|            | Main-wash (122°F/50°C)           |                        |                   |
|            | Rinse (131°F/55°C)               |                        |                   |
|            | Drying                           |                        |                   |
| Rapid      | Pre-wash                         | 3.3 G / 12.5 L         | 60                |
|            | Main-wash (122°F/50°C)           |                        |                   |
|            | Rinse (131°F/55°C)               |                        |                   |
| Rinse      | Pre-wash                         | 1.8 G / 6.7 L          | 20                |
|            | Rinse                            |                        |                   |

# Preparing and Loading Dishes

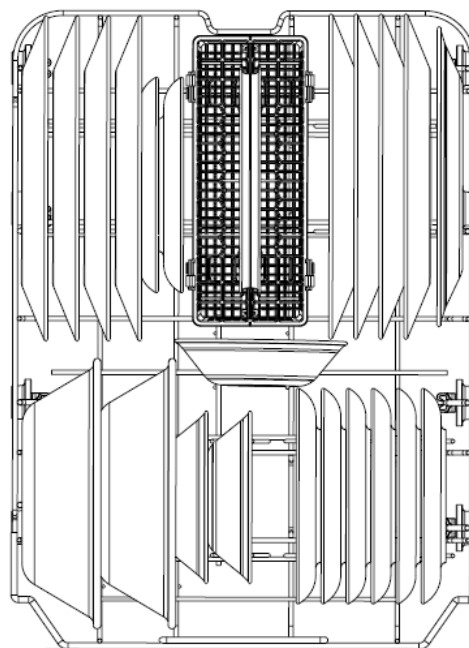
## ***Dish Preparation***

Scrape away large pieces of food, bones, pits, toothpicks, etc. The continuously filtered wash system will remove the remaining food particles. Burned-on foods should be loosened before loading. Empty any liquids from glasses and cups. Foods such as mustard, mayonnaise, vinegar, lemon juice and tomato based products may cause discoloration of stainless steel and plastics if allowed to sit for a long period of time. Unless the dishwasher is to be operated at once it is best to run the Rinse Cycle to wash off these food soils. If the dishwasher drains into a food disposer, be sure disposer is completely empty before starting dishwasher.



## ***Loading the Lower Basket***

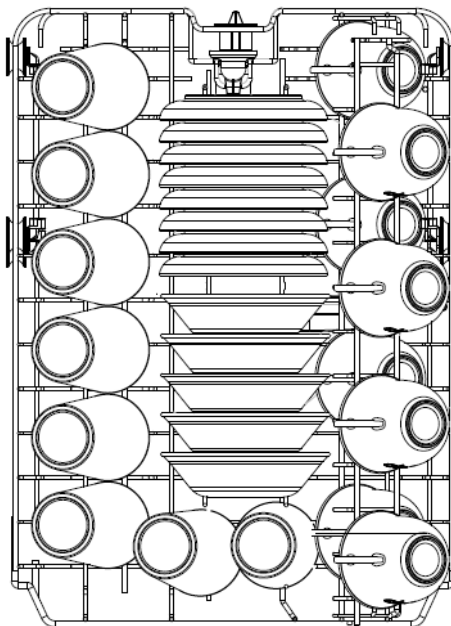
The lower basket is designed for larger items that are the most difficult to clean such as dinner plates, soup bowls, pots, pans, lids and casserole dishes. The largest items should be placed along the edges so they do not interfere with the upper spray arm rotation, and to make sure they do not prevent the detergent dispenser from opening. Load large items such as pots and pans into the dishwasher so their open sides are slanted or face downwards to allow water to drain. The silverware basket should be located at the center rear as shown below.



**8 place setting**

### ***Loading the Upper Basket***

The upper basket is designed for glasses, mugs, cups, small plates, bowls and plastic items marked “dishwasher safe.” For best results, place the items with their soiled surfaces facing down or toward the center. Tilt slightly for better drainage.

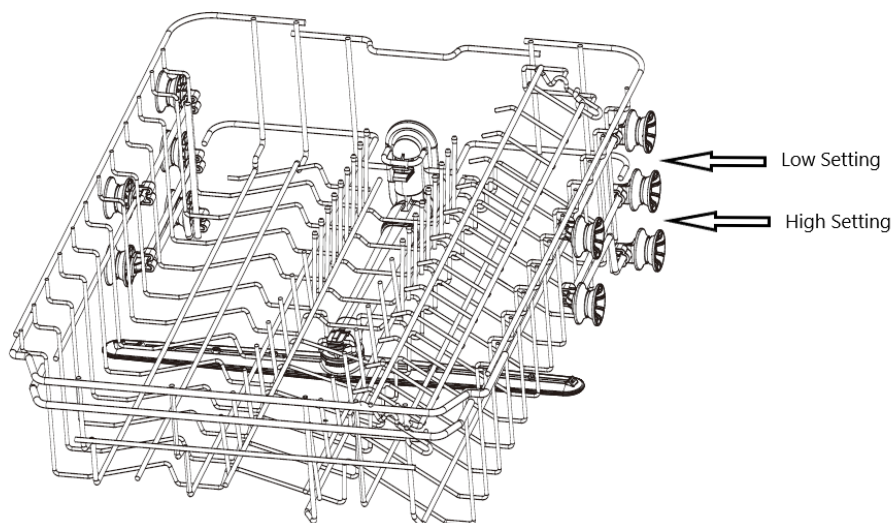


**8 place setting**

### ***Adjusting the Upper Basket***

The upper basket can be raised to allow for dishes up to 11” in the lower basket. Make sure dishes loaded in the lower basket do not interfere with the rotation of the spray arm which is located on the bottom of the upper basket. (Check this by rotating the spray arm by hand.) If the spray arm comes in contact with dishes in the lower basket, raise the upper basket.

To raise the upper basket, completely remove the basket from the dishwasher by pulling it forward and removing it from the track. Next, slide the basket back onto with the track between the two sets of rollers labeled “High Setting” as illustrated below.

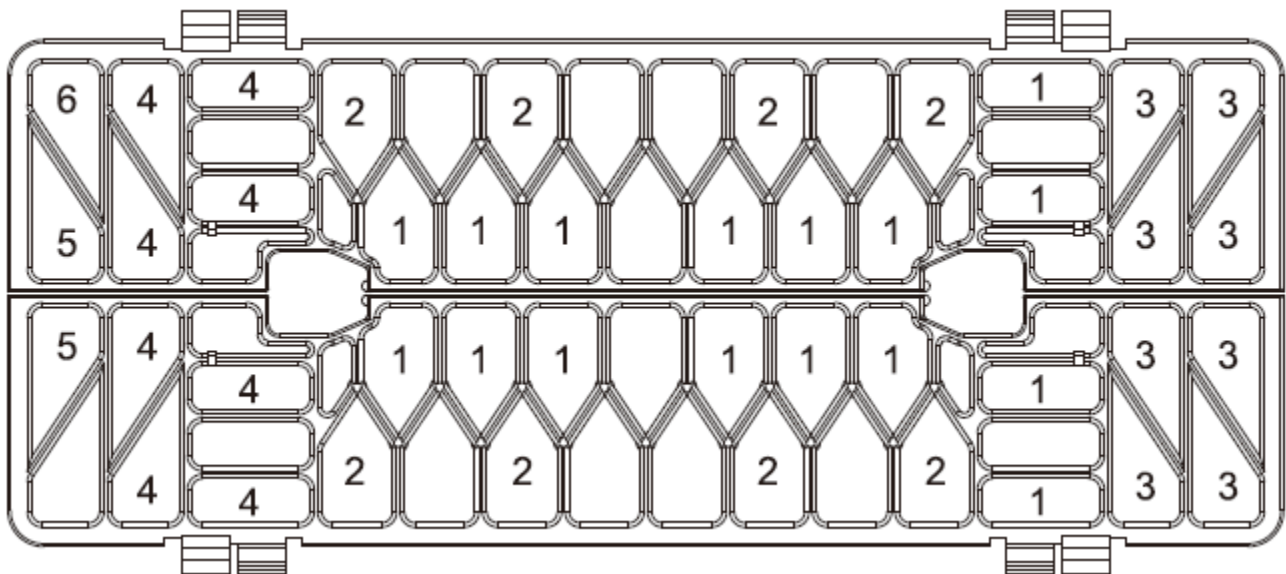
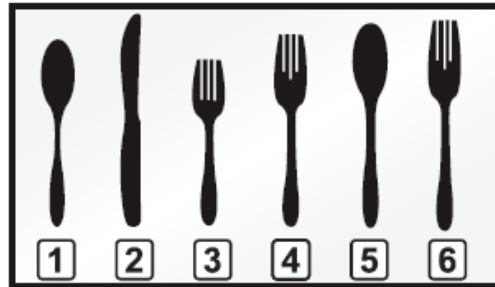


## Loading the Silverware Basket

The silverware basket is divided into separate compartments (illustrated below) to allow for maximum cleaning efficiency. Spoons and forks should be placed in the basket with their handles pointing downward. Knives and other sharp utensils should be placed in the basket with their handles pointed upward. Longer utensils should be placed in the horizontal position on the upper basket's cup shelf instead of in the silverware basket.

For best results, DO NOT overload the silverware basket and be sure that similar pieces of silverware DO NOT nest together.

1. Spoons
2. Knives
3. Salad Forks
4. Dinner Forks
5. Large Spoons
6. Large Forks



**Caution:** Do not let any item extend through the bottom of the cutlery basket. This may prevent the spray arm from spinning.



**Note:**

- For personal safety and the highest quality wash, securely place all silverware in the basket.
- Be sure the similar pieces of silverware do not nest together.
- Place most silverware with the handles down.
- Place knives and other potentially dangerous utensils handles-up.

## ***Forgot to Add a Dish?***

A dish can be added any time before the detergent dispenser opens:

1. Open the door slightly and wait several seconds for the wash cycle to stop.
2. You can open the door completely after the spray arms stop spinning.
3. Add remaining dishes.
4. Close the door.
5. Press the Start/Cancel button to continue the wash cycle.



**Caution:** TO AVOID BURN INJURY: Slightly open the door and wait until the spray arms and wash action stop. Failing to do so may cause hot water to splash out of the dishwasher

## **Filling Detergent and Rinse Aid Dispensers**

### ***Only Use Proper Detergent***

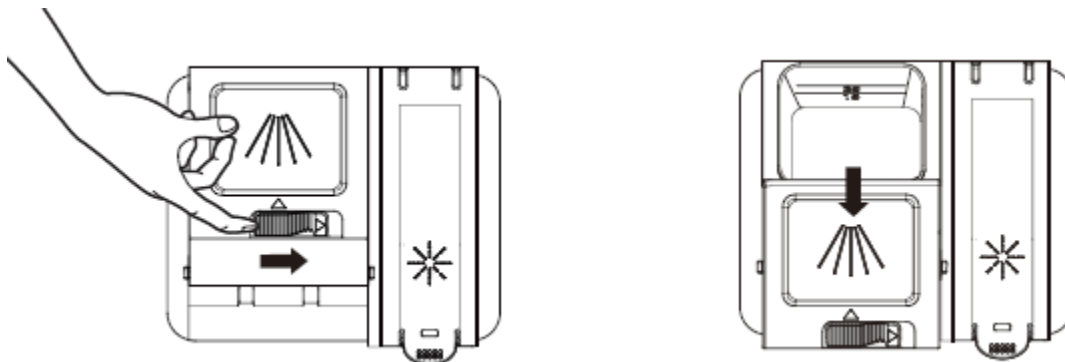
Use only detergent specifically made for use in dishwashers. Do not use detergents designed for hand washing dishes. Using a detergent that is not specifically designed for dishwashers will cause the dishwasher to fill with suds. During operation, these suds will spill out of the dishwasher vents. Keep your detergent fresh and dry. Do not put powder detergent into the dispenser until you are ready to wash dishes.

The amount of detergent to use depends on whether your water is hard or soft. With hard water, you need extra detergent to alleviate the deposits that are left by the excessive minerals. Less detergent is needed for soft water.

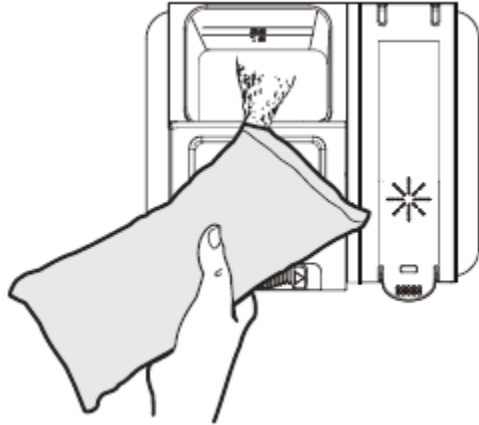
### ***Filling the Detergent Dispenser***

The dispenser must be refilled before the start of each wash cycle. Your dishwasher uses less detergent and rinse aid than a conventional dishwasher. Generally, only one tablespoon of detergent is needed for a normal wash load. Always add the detergent just before starting the dishwasher, otherwise it could get damp and will not dissolve properly during the wash cycle.

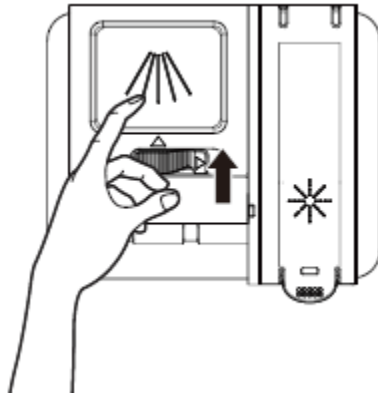
1. Open the detergent dispenser cap by pushing the detergent dispenser release to the right. The dispenser cap will flip open toward you. Note: The cap always remains open at the end of a washing cycle.



2. Add the recommended amount of dishwasher detergent to the main wash compartment.

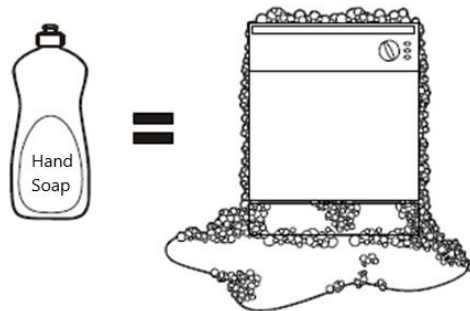


3. Close the cap by sliding it forward and pressing down.



**Caution:**

- Use only detergent specifically made for use in dishwashers.
- Do not use dish detergent designed for hand washing dishes as it will cause the dishwasher to overflow with suds.

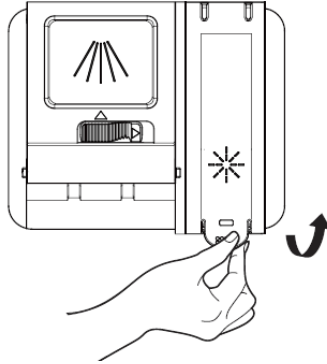




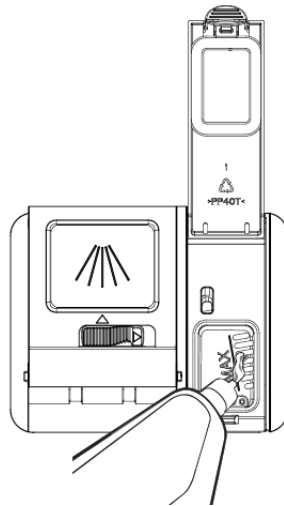
## ***Filling the Rinse Aid Dispenser***

The rinse aid is released during the final rinse to remove spots, prevent new film build-up on your dishes, glasses, flatware, cookware and plastic, and to improve drying time. Your dishwasher is designed to use **ONLY LIQUID** rinse aids. **DO NOT** use powdered rinse aids which will clog the dispenser and cause malfunctions. The rinse aid dispenser is located inside the door next to the detergent dispenser.

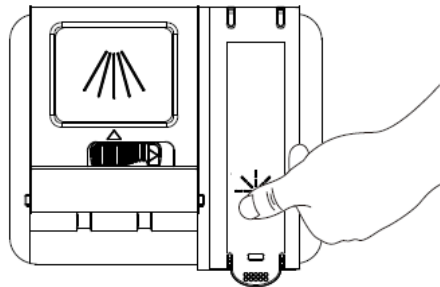
1. Open the rinse aid dispenser by lifting up the handle.



2. Fill the rinse aid reservoir with **LIQUID** rinse aid. Use the viewing port when filling the reservoir. **DO NOT** fill the reservoir above the “MAX” level indicator or rinse aid will overflow during the wash cycle.



3. Close the rinse aid dispenser by lowering the lid and pressing until it clicks shut.



4. Refill the rinse aid when the Status Display shows the “LSb” error code. Your dishwasher will run with low or no rinse aid, but your rinsing and drying results will suffer.



Note:

- Only use branded rinse aid, such as Jet-Dry, for the dishwasher.
- Never fill the rinse aid dispenser with any other substances or detergents.

### ***Completing a Wash Cycle***

When the selected wash cycle has finished, the Status Display will read END, or -:-- if it has been canceled. Open the door carefully and wait a few minutes before unloading the dishwasher to avoid handling the dishes and utensils while they are still hot. This will also assist in the drying process. It is normal for the dishwasher to be wet inside.

## Dishwasher Maintenance

Keeping your dishwasher clean improves its performance, reduces unnecessary repairs and lengthens its life.

### *Cleaning the Exterior*

It is best to clean spills on the outside of your dishwasher as they occur. Use a soft, damp cloth on the control panel and door to gently wipe away spills and dust. Never use sharp objects, scouring pads, or harsh cleaners on any part of the dishwasher as they may scratch and discolor the surface of your dishwasher. Do not clean the dishwasher by spraying water over it and avoid letting water come into contact with any of the electrical parts.



Note: If your dishwasher has a stainless steel door panel, you can clean it with a stainless steel cleaner for home appliances using a clean, soft cloth.

### *Cleaning the Interior*

Clean the interior of your dishwasher periodically to remove any dirt or food particles and prevent odors. Wipe the inside of the dishwasher, inner part of the door, and the door seal with a soft, warm, wet cloth. We recommend filling the detergent dispenser and running the dishwasher empty periodically using either the Normal or ECO wash cycle with the Sanitize option. This will keep your dishwasher clean.

If spots or odors are still present, run the Normal wash cycle with the dishwasher empty and without detergent until it flushes. Then, interrupt the cycle and put an 8 ounce cup of white vinegar into the bottom of the dishwasher. Close the dishwasher, press Start/Cancel, and let the cycle finish.



Note: Abrasive agents or some paper towels may scratch or leave spots on the stainless steel interior surface.

### *Cleaning the Filter System*

For best performance and results, the filter assembly must be cleaned regularly. The filter system removes soil and food particles from the water, allowing it to be recycled during the wash cycle.

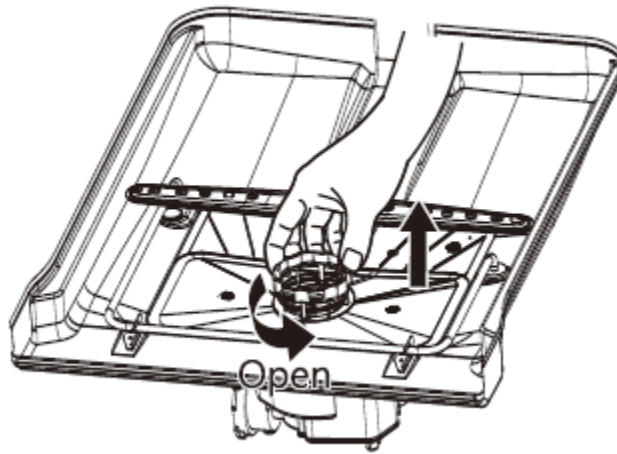
#### **Filter Assembly Parts**

The filter assembly consists of three filters:

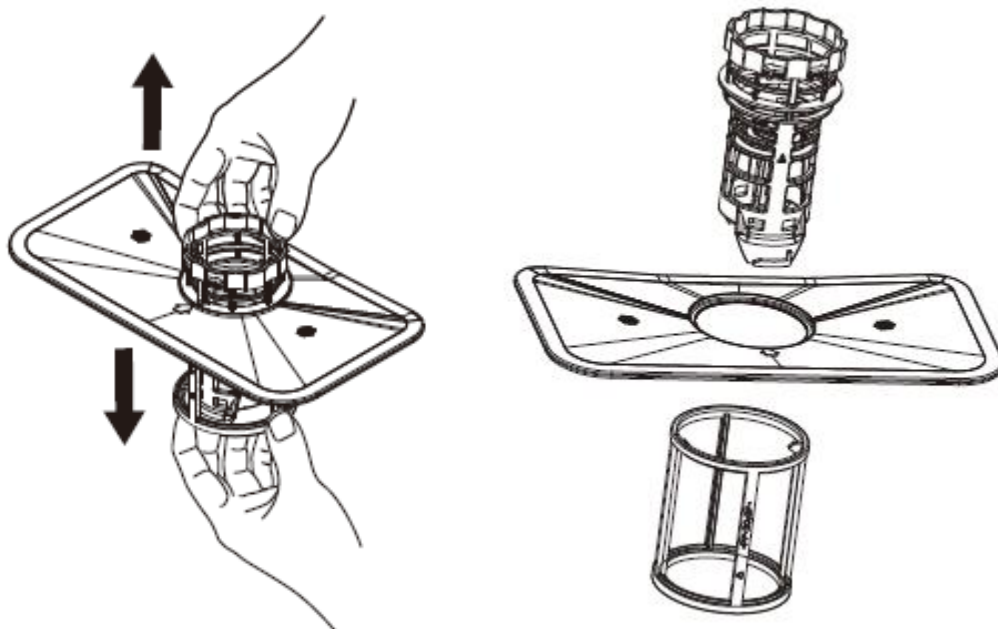
1. The **Course Filter** which collects large items, such as pieces of bone or glass that could block the drain.
2. The **Fine Filter** that holds soil and food residue and prevents them from being redeposited on the dishes during the wash cycle.
3. The **Main Filter** that traps soil and food particles, then breaks them down with assistance from a special jet on the spray arm and washes them down the drain.

## Removing, Cleaning and Replacing the Filter Assembly

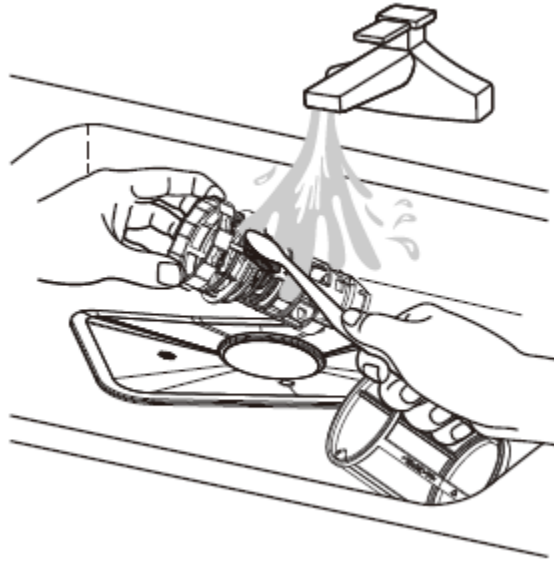
1. Turn off the dishwasher.
2. Rotate the filter assembly counterclockwise to unlock it, then pull up to remove it.



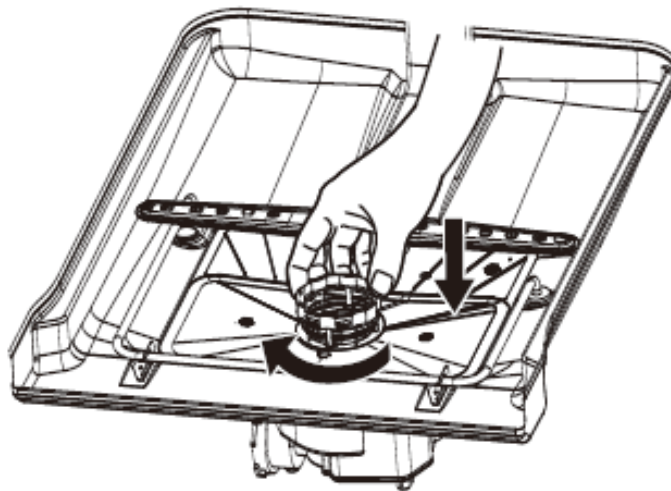
3. Take apart the three filters by pulling the fine and course filters in opposite directions, then separate them from the main (flat) filter.



4. Remove all debris from the filters by rinsing them under warm, running water. You may loosen trapped particles with a soft bristled brush.



5. Once clean, reassemble the filters and place the entire filter assembly back into its compartment. Then, rotate the course filter clockwise until it locks into place and the arrows on the main filter an



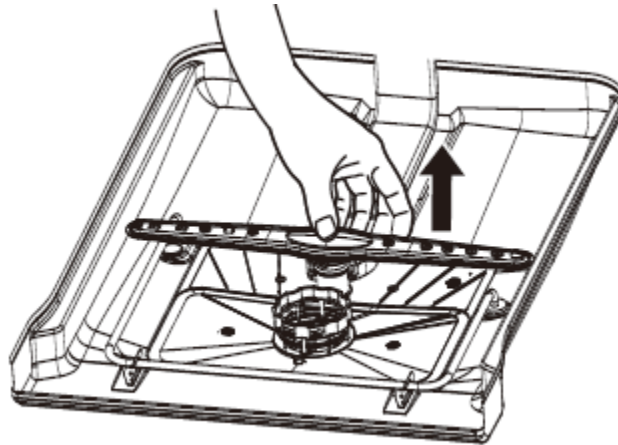
Note:

- If the filter assembly is not secured properly back into place the performance of the dishwasher will decrease
- Never run the dishwasher without the filter system in place.
- Clean the entire filter system at least once a week when in use.

## ***Cleaning the Lower Spray Arm***

The lower spray arm can be removed for periodic cleaning of the nozzles to prevent clogging and maintain the efficiency of your dishwasher. When removing the spray arm, exercise care so you don't damage or break it. To remove, clean and replace the lower spray arm:

1. Visibly check whether the nozzle holes are clogged by soil or food particles.
2. If cleaning is needed, remove the spray arm by grasping it in the middle and pulling it upwards.



3. Wash the spray arm nozzles under warm, running water. A soft bristled brush may be used to help remove particles.
4. Reinstall the spray arm by pushing it back down into place until it locks.
5. Check whether the spray arm has been reinstalled correctly by rotating it by hand. It should rotate freely and easily.

## ***Protecting Against Freezing***

If your dishwasher is left in an unheated place during the winter, ask a service technician to:

1. Turn off the electrical power to the dishwasher.
2. Turn off the water supply and disconnect the water supply line from the unit.
3. Drain the water from the supply line and inlet valve (use a pan to catch the water.)
4. Reconnect the water supply line to the inlet valve.
5. Remove the filter system and use a sponge to absorb the water that is in the filter (sump) area.

## ***Preparation for Storage***

When preparing to put the dishwasher into storage, it is recommended that you run a wash cycle with the dishwasher empty. Disconnect the unit from power. Remove any water remaining in the sump area with a cloth or absorbent sponge. Turn off the water supply and leave the door of the appliance slightly open. This will help the door seals to last longer and prevent odors from forming inside the dishwasher.

## ***Moving the Dishwasher***

If the dishwasher must be moved, keep it in the upright position. Do not transport the unit on its side or upside down.

# Troubleshooting

## Error Codes

Under certain conditions warning or malfunction codes will be shown on the Status Display.

| Error Code | Meaning                           | Possible Causes  |
|------------|-----------------------------------|--|
| E1         | Long water inlet time             | The water supply may not be opened or the water pressure may be too low. The water inlet may also be restricted or kinked. |
| E3         | Not reaching required temperature | Possible heating element malfunction.  |
| E4         | Overflow                          | Dishwasher may be leaking or may have overflowed because of too much detergent or the wrong kind of detergent.             |
| LSb        | Rinse aid warning                 | Dishwasher is empty or low on liquid rinse aid. Refill rinse aid dispenser.  |



### Warning:

- If E4 (Overflow) occurs, turn off the main water supply before calling service.
- If there is water in the base pan because of an overflow or leak, the water should be removed before restarting the dishwasher.
- The dishwasher must have the main power turned off and then on again to clear an error code.

## Troubleshooting Guide

| Issue                                     | Possible Cause   | Solution   |
|---|--|--|
| Dishwasher does not start                 | Fuse is blown or circuit breaker is tripped                | Replace fuse or reset circuit breaker. Remove any other appliances sharing the same circuit with the dishwasher.   |
|   | Power Supply is not connected or turned on                 | Call a certified technician to check and/or connect the power supply.  |
|   | Control panel lock is on                                   | Press and hold the Options and Delay buttons simultaneously for 3-5 seconds.   |
|   | Dishwasher door is not properly closed                     | Close dishwasher, ensuring that the door latches.  |
| Water not pumped from dishwasher          | Previous cycle has not finished or has been interrupted    | Restart the cycle and let it run to completion.  |
|   | Filter clogged   | Clean filter assembly.   |
|   | Kitchen sink clogged                                       | Ensure kitchen sink is draining well. If sink is not draining, refer to a plumber.   |
|   | Kink in drain hose   | Check drain hose.  |
| Dishwasher won't fill                     | Dishwasher door is not properly closed                     | Close dishwasher, ensuring that the door latches.  |
|   | Water valve is turned off                                  | Check water valve.   |
| Suds in tub                               | Improper detergent   | Use only the specified detergent. If improper detergent was used, open the dishwasher allowing suds to evaporate. Add 1 gallon of cold water to the tub. Close and latch the door. Start the "RINSE" wash cycle to drain the water. Repeat if necessary. |
|   | Spilled rinse aid  | Always clean up rinse aid spills immediately.  |
| Stained tub interior                      | Detergent used contained colorant                          | Do not use detergents with colorants.  |
| White film on dishwasher interior surface | Hard water minerals  | While wearing rubber gloves, use a damp sponge to clean the interior with dishwasher detergent. Never use any other cleaner to clean dishwasher.   |
| Rust stains appear on cutlery             | Items are not non-corrosive                                | Do not place non-dishwasher safe items in dishwasher.  |
| Knocking noise inside of dishwasher       | The spray arm is knocking against an item in the dish rack | Pause the wash cycle and rearrange the items which are obstructing the movement of the spray arm.  |



| <b>Issue</b>                        | <b>Possible Cause</b>   | <b>Solution</b>  |
|-------------------------------------|---|--|
| Rattling noise inside of dishwasher | Item is not securely placed in dish rack  | Pause the wash cycle and secure the items in the dish rack.                  |
| Black or gray marks on dishes       | Utensils may have rubbed against dishes   | Use a mild abrasive cleaner to eliminate marks. Load carefully.              |
| Detergent left in dispenser cup     | Dishes are blocking detergent dispenser door                                      | Re-load dishwasher according to instructions in this manual.                 |
| Spots and filming on dishes         | Water hardness is too high  | For extremely hard water install a water softener.                           |
|                                     | Improper loading of dishes  | See section on loading the dishwasher.                                       |
|                                     | Old rinse aid used  | Use fresh rinse aid.   |
|                                     | Rinse aid empty   | Add rinse aid to the dispenser.  |
| Etching                             | Using too much detergent  | Use less detergent especially if you have soft water.                        |
|                                     | The inlet water temperature exceeds 158°F   | Lower the inlet water temperature.   |
| Dishes are not cleaned              | Dishes were not loaded properly   | See section on loading the dishwasher.                                       |
|                                     | The wash cycle was not powerful enough  | Select a more intensive wash cycle.  |
|                                     | Not enough detergent was dispensed  | Use more or change brand of detergent.                                       |
|                                     | Items are blocking the path of the spray arms                                     | Rearrange the items so the spray arms can fully rotate.                      |
|                                     | The filter in the base of the dishwasher is not clean or is installed incorrectly | Clean and install the filter combination correctly.                          |
| Cloudiness on glassware             | Combination of too much detergent with soft water                                 | Use less detergent and/or select the shortest wash cycle to clean glassware. |
|                                     | The filter may be dirty or blocked  | Clean the filter.  |
| The dishes are not dry              | Improper Loading  | Re-load dishwasher according to instructions.                                |
|                                     | Not enough rinse aid  | Refill rinse aid.  |
|                                     | Dishes removed too soon   | Do not remove dishes from dishwasher immediately.                            |
|                                     | Wrong cycle selected  | Short cycles have lower cleaning performance. Choose a more intensive cycle. |

## Specifications

|                                    |                                      |
|------------------------------------|--------------------------------------|
| Description of product             | 18" Built-In Dishwasher              |
| Model                              | BIDW1802BL / BIDW1802SS / BIDW1802WH |
| Color                              | Black / Stainless Steel / White      |
| Number of Place Settings           | 8                                    |
| Maximum Diameter of Place Settings | 11"                                  |
| Voltage/Frequency                  | 120V AC/60Hz                         |
| Input Power                        | Wash motor 100W, Heater 700W         |
| Delay Start                        | 1-24 Hour                            |
| Unit Dimensions<br>H x W x D       | 32 1/2" x 17 5/8" x 22 7/16"         |
| Net Weight                         | 52.9 lbs.                            |
| Nominal Inlet Water Temperature    | 120°F                                |
| Water Pressure                     | 5.8 – 145 PSI                        |

# EdgeStar Limited Warranty

## One (1) Year Parts & Labor

This product is warranted by EdgeStar and is subject to any conditions set forth as follows:

### WHAT IS COVERED:

For a period of ONE (1) YEAR from the date of original retail purchase, EdgeStar will repair or replace any part free of charge including labor that fails due to a defect in materials or workmanship. Labor will be performed free of charge at an authorized EdgeStar repair facility and EdgeStar will supply new, rebuilt, or refurbished parts free of charge. EdgeStar may request a defective part be returned in exchange for the replacement part. All replacement parts or products will be new, remanufactured, or refurbished. All products and parts replaced by EdgeStar under warranty service become the property of EdgeStar. After the 12 month period, EdgeStar will no longer be responsible for labor charges incurred or replacement parts. All defective products and parts covered by this warranty will be repaired or replaced on a mail-in basis to an EdgeStar authorized repair facility. This warranty applies to the original purchaser only, and only covers defects in workmanship experienced during operation of the product under normal service, maintenance, and usage conditions. This warranty applies to the purchase and use of this product in residential settings within the contiguous United States of America.

Exceptions: Commercial or Rental Use  
Warranty

90 days labor and parts from date of original purchase. No other warranty applies.

WHAT IS NOT COVERED- The following limitations apply to the coverage of this warranty. This warranty does not cover:

- Labor charges for installation, setup, or training to use the product.
- Shipping damage, and any damage caused by improper packaging for shipment to an authorized service center, and any damaged caused by improper voltage or any other misuse, including abnormal service, handling, or usage.
- Cosmetic damage such as scratches and dents.
- Normal wear and tear on parts or replacement of parts designed to be replaced, e.g. filters, cartridges, batteries.
- Service trips to deliver, pick-up, or repair, install the product, or to instruct in proper usage of the product.
- Damages or operating problems resulting from misuse, abuse, operation outside environmental specifications, uses contrary to instructions provided in the owner's manual, accidents, acts of God, vermin, fire, flood, improper installation, unauthorized service, maintenance negligence, unauthorized installation or modification, or commercial use.
- Labor, service transportation, and shipping charges for the removal and replacement of defective parts, beyond the initial 12 month period.
- Products that have been modified to perform outside of specifications without the prior written permission of EdgeStar.
- Products lost in shipment, or theft.
- Products sold AS IS or from an unauthorized reseller.
- Products that have had their serial numbers removed, defaced, or with serial numbers that have been invalidated.
- Damage from other than normal household use.
- Replacement or repair of household fuses, circuit breakers, wiring or plumbing.
- Damage to personal property from use of product.
- Damage from service other than from an authorized EdgeStar repair facility.
- Hoses, knobs, lint trays and all attachments, accessories and disposable parts.
- Any service charges not specifically identified as normal such as normal service area or hours.
- Any special or consequential damages arising out of the use of the product.

OBTAINING WARRANTY SERVICE: If you believe your product is defective, contact EdgeStar Customer Support for troubleshooting assistance and warranty service at [www.edgestar.com](http://www.edgestar.com) or call 1-866-319-5473. Before contacting Customer Support you are required to have your model number, serial number, and proof of purchase available upon request. Once an EdgeStar authorized representative has confirmed that your product is defective and eligible for warranty service, the product must be returned to an EdgeStar authorized repair facility. EdgeStar is not responsible for damage resulting from shipper mishandling or improper packaging. Do not return a defective product to the place of purchase. Products received without a return authorization number will be refused.

THIS WARRANTY IS IN LIEU OF ANY OTHER WARRANTY, EXPRESS OR IMPLIED, INCLUDING WITHOUT LIMITATION, ANY WARRANTY OF MERCHANTABILITY OR FITNESS FOR A PARTICULAR PURPOSE. TO THE EXTENT ANY IMPLIED WARRANTY IS REQUIRED BY LAW, IT IS LIMITED IN DURATION TO THE EXPRESS WARRANTY PERIOD ABOVE. NEITHER THE MANUFACTURER NOR ITS DISTRIBUTORS SHALL BE LIABLE FOR ANY INCIDENTAL, CONSEQUENTIAL, INDIRECT, SPECIAL, OR PUNITIVE DAMAGES OF ANY NATURE, INCLUDING WITHOUT LIMITATION, LOST REVENUES OR PROFITS, OR ANY OTHER DAMAGE WHETHER BASED IN CONTRACT, TORT, OR OTHERWISE. IN NO EVENT AND UNDER NO CIRCUMSTANCE OF ANY TYPE OR KIND SHALL THE SELLER, MANUFACTURER AND/OR DISTRIBUTOR BE LIABLE FOR ANY REASON, UNDER ANY THEORY, FOR MORE THAN THE BASIC COST OF THE PRODUCT TO THE PURCHASER OR END USER. SOME STATES DO NOT ALLOW THE EXCLUSION OF INCIDENTAL OR CONSEQUENTIAL DAMAGES, SO THE ABOVE EXCLUSION MAY NOT APPLY TO YOU. THIS WARRANTY GIVES YOU SPECIFIC LEGAL RIGHTS. YOU MAY HAVE OTHER RIGHTS THAT VARY FROM STATE TO STATE.