

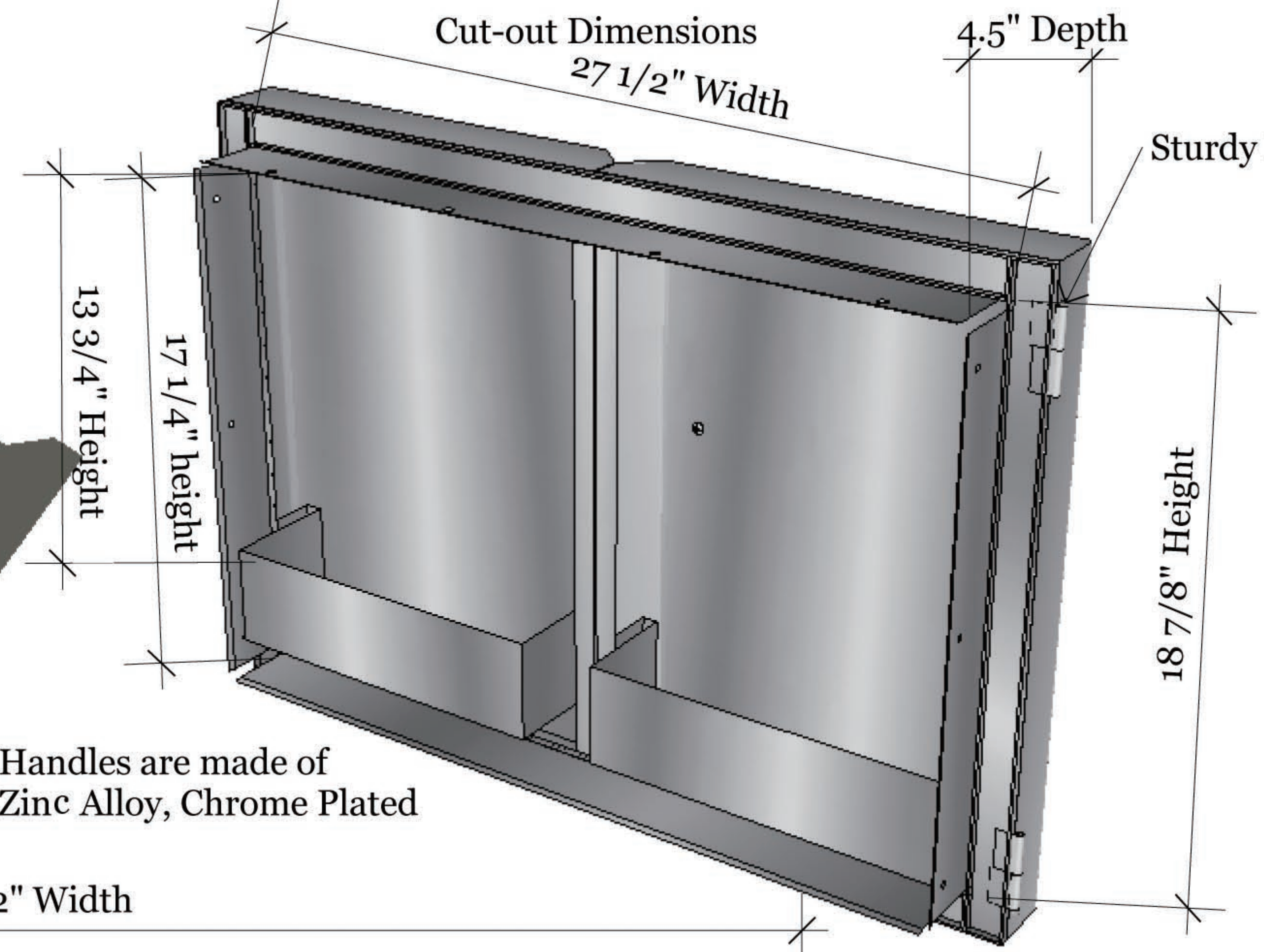
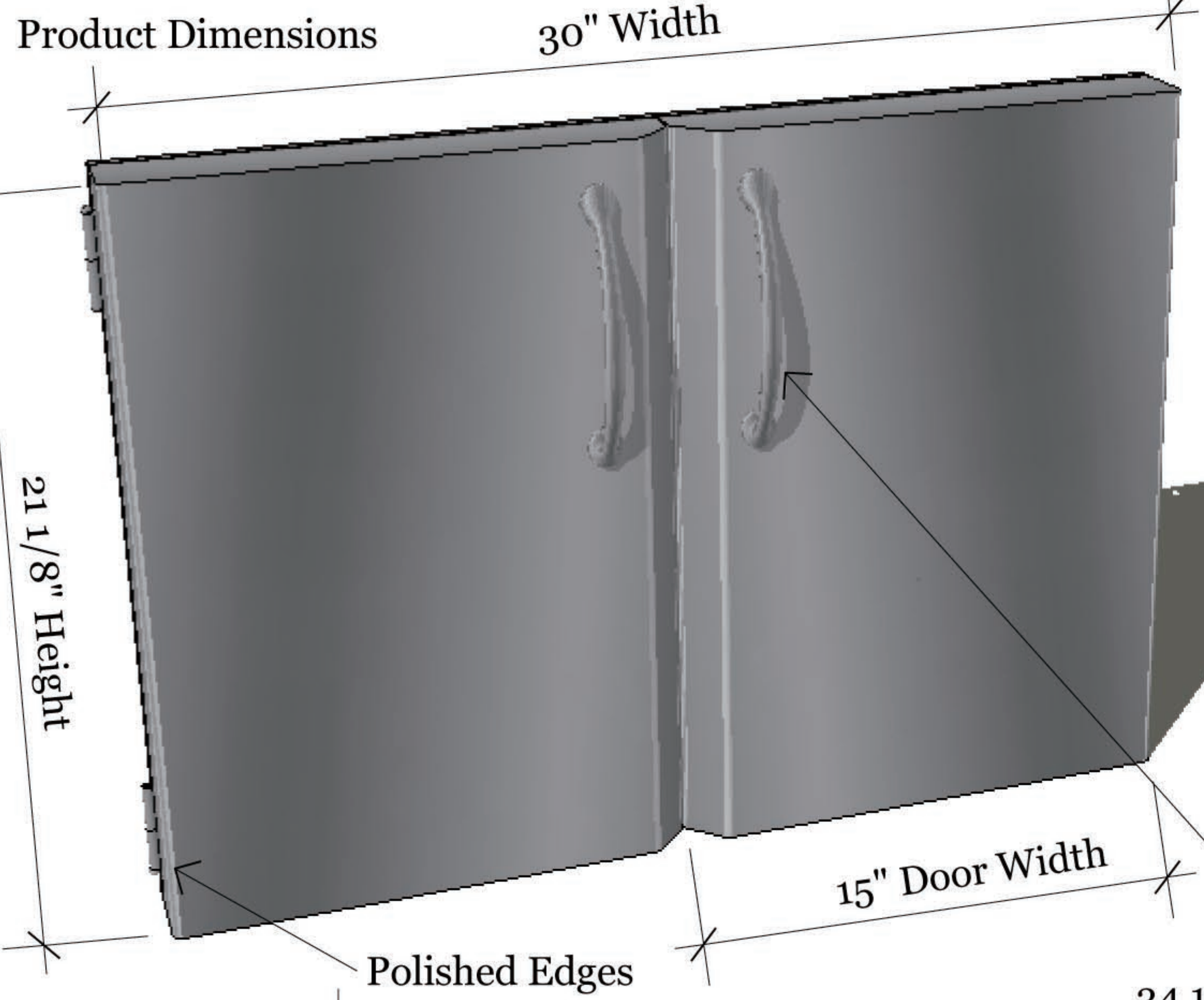
Sunstone Metal Products
 16004 Central Commerce Dr
 Pflugerville TX 78660
 Tel: 888.934.9449
 Bus: 512.487.5116
 Fax: 512.487.7016

PRODUCT
 30" Premium Double Door
 Item No. DD30

DESCRIPTION
 30" Premium Double Door
 with built in shelves, and
 bottom vent/drain

30" Premium Double Door w/Shelves
 30"W x 21 1/8"H x 4.5" D(Product Size)
 27-1/2"W x 18-7/8" H(Cut-out)
 20 LBS (Weight)

Material Specifications:
 304 Stainless Steel
 16 Gauge for Frame
 18 Gauge for Door
 Handles are made of Zinc Alloy,
 Chrome Plated.



Handles are made of
 Zinc Alloy, Chrome Plated

