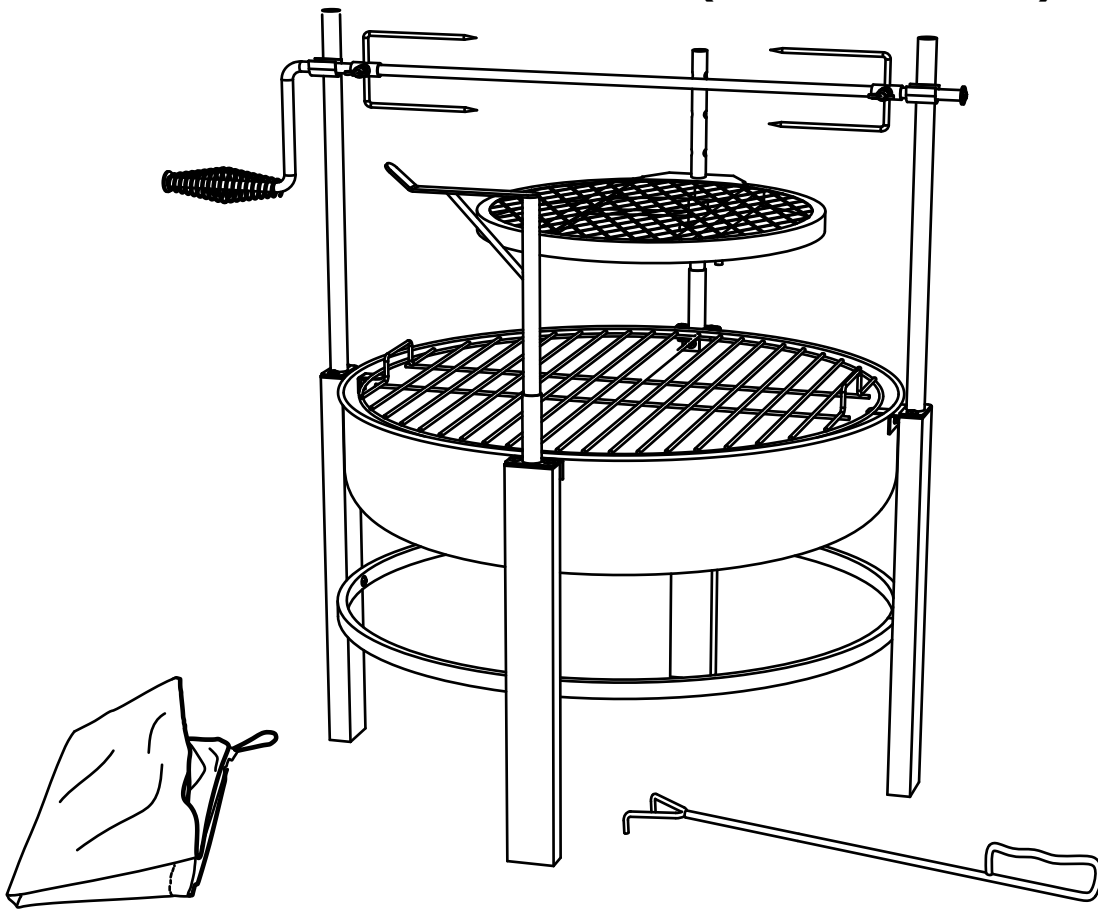


Manual Instructions

Product Name: Outdoor Fire Pit with Grill (SKU#FT-31236C)



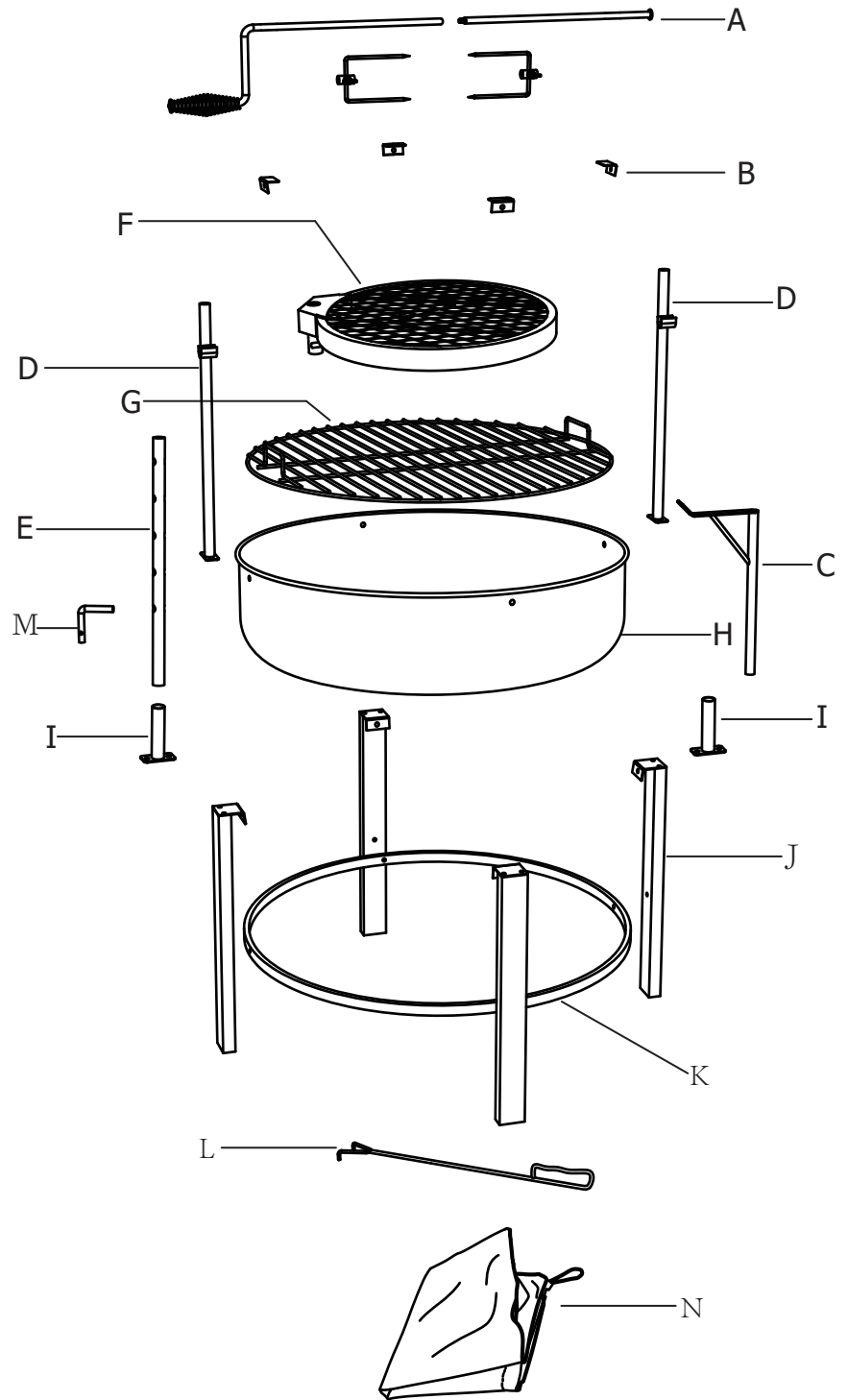
For technical assistance on assembly or replacement parts, please do not return this product to the store. Send email cbec@china-yayi.com for assistance.

⚠️ WARNINGS:

- This fire pit is intended for outdoor use only.
- This fire pit is intended for burning wood logs only. Do not burn coal, leaves, or other combustible materials in the bowl.
- Not for use by children. Keep children and pets away from this fire pit .
- When in use, the fire pit can reach extremely high temperatures that can cause serious injury to an unprotected hand. Protective gloves and long-handled tools are recommended for use with this fire pit.
- Never leave the burning fire pit unattended, and always extinguish the fire completely before leaving the fire pit.
- Do not use on a wooden deck or combustible surface such as grass, leaves, mulch, etc.
- Do not use fire pit on heat-sensitive or combustible structures.
- Check local fire regulations and municipal by-laws for information regarding the safe use of this product.
- Read all safety guidelines, warnings, instructions, and operating rules carefully before assembling and using this product.
- Some parts may contain sharp edges. Wear protective gloves if necessary during assembly and use.
- All surfaces will be hot and unsafe to touch during use.

PARTS LIST

No.	PARTS	Qty
A	Rotisserie Kit	1
B	Cooking Grill Support	4
C	Steel Arm	1
D	Grill Pole	2
E	Cooking Grill Stand	1
F	Cooking Grill 1	1
G	Cooking Grill 2	1
H	Fire Bowl	1
I	Steel Arm Stand	2
J	Legs	4
K	Base Ring	1
L	Poker	1
N	Cover	1
M	L Pin	1



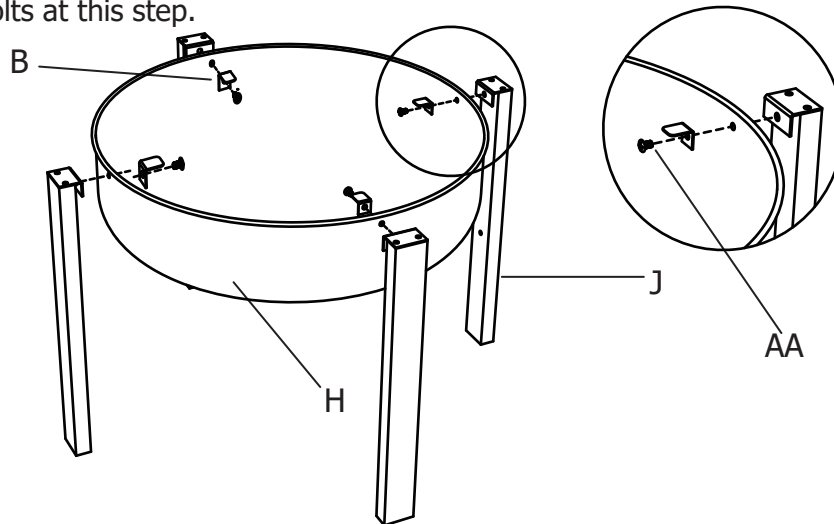
HARDWARE LIST

No.	Hardware	Qty
AA	M6x10mm Bolt	12
BB	M6x16mm Bolt	4

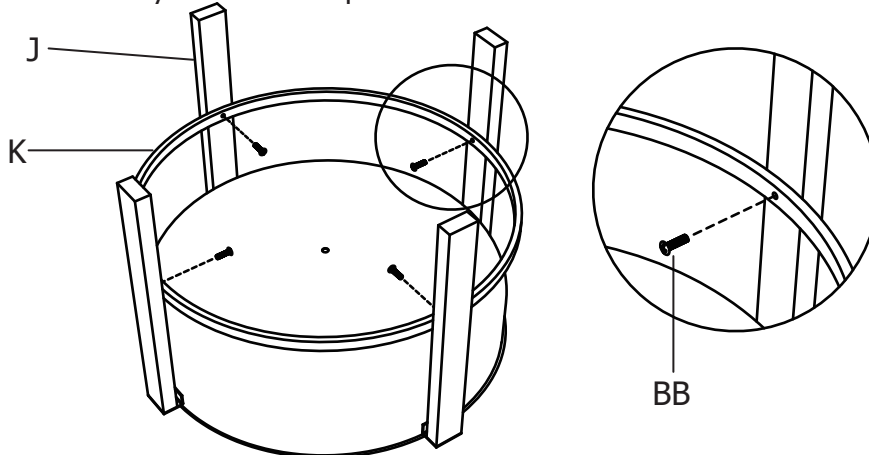
ASSEMBLY INSTRUCTIONS:

Note: You will need a screwdriver to complete the assembly (not included)

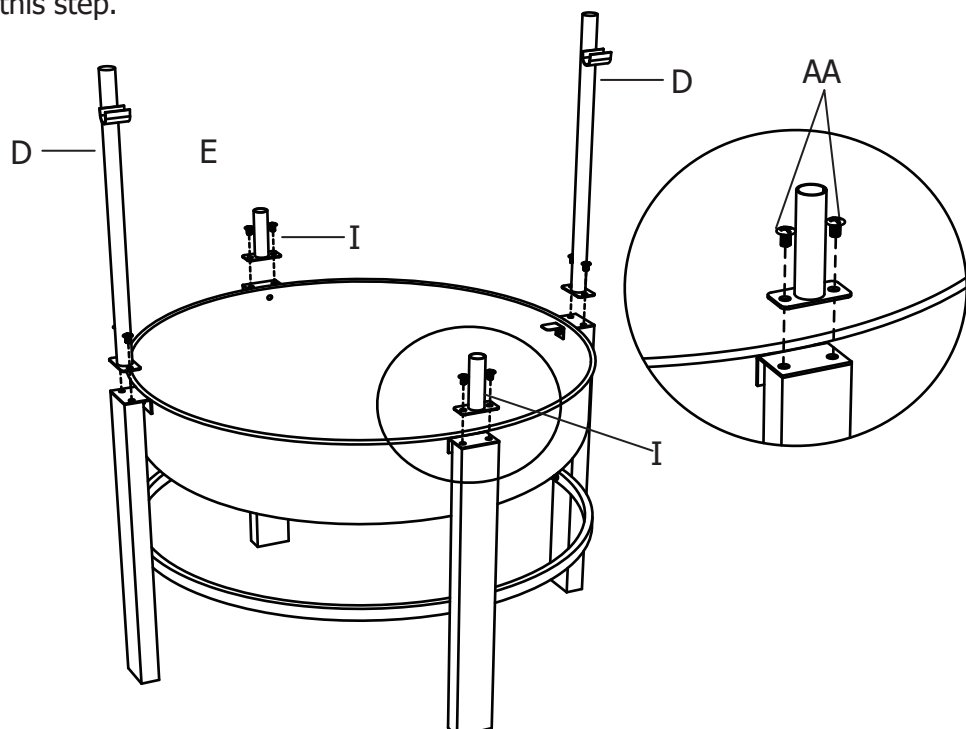
Step 1: Attach Legs (J) and Cooking Grill Support (B) to Fire Bowl (H) by using 4pcs M6 x10 Bolts (AA). DO NOT fully tighten the bolts at this step.



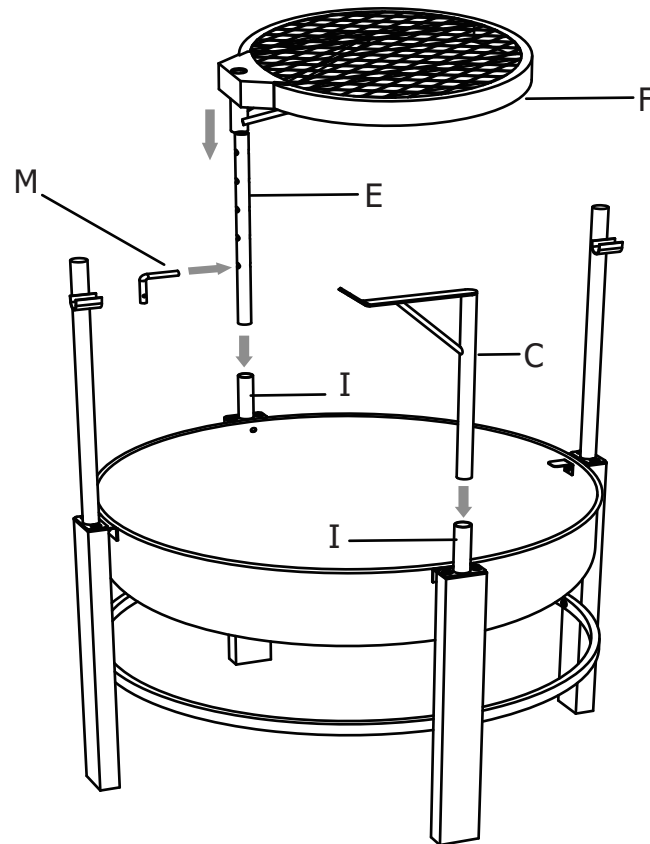
Step 2: Put fire bowl in soft area, attach Base Ring (K) to four Legs (J) by using 4pcs M6x16mm Bolts (BB). Fully tighten the bolts when they are in correct position.



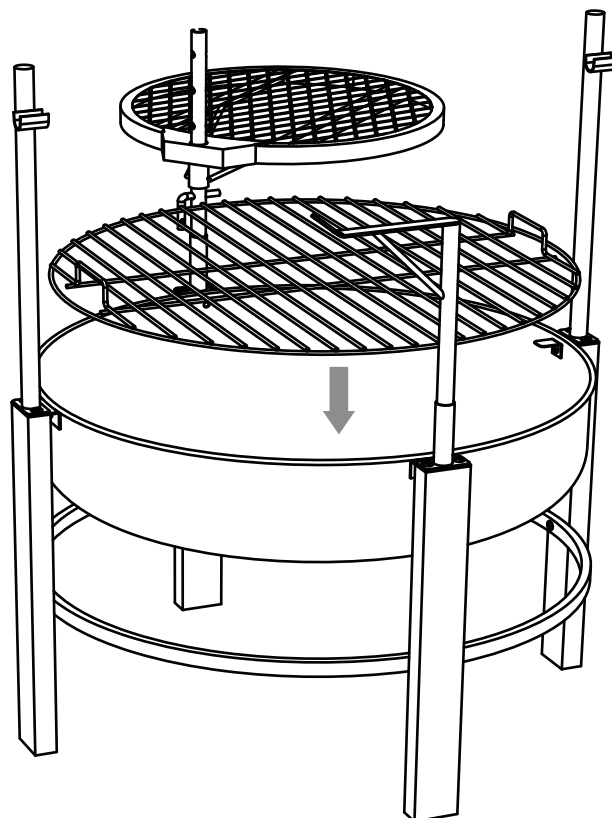
Step 3: Attach Grill Pole (D), Steel Arm Stand (I) to four Legs (J) by using 8pcs M6x10mm Bolt (AA). Fully tighten all bolts at this step.



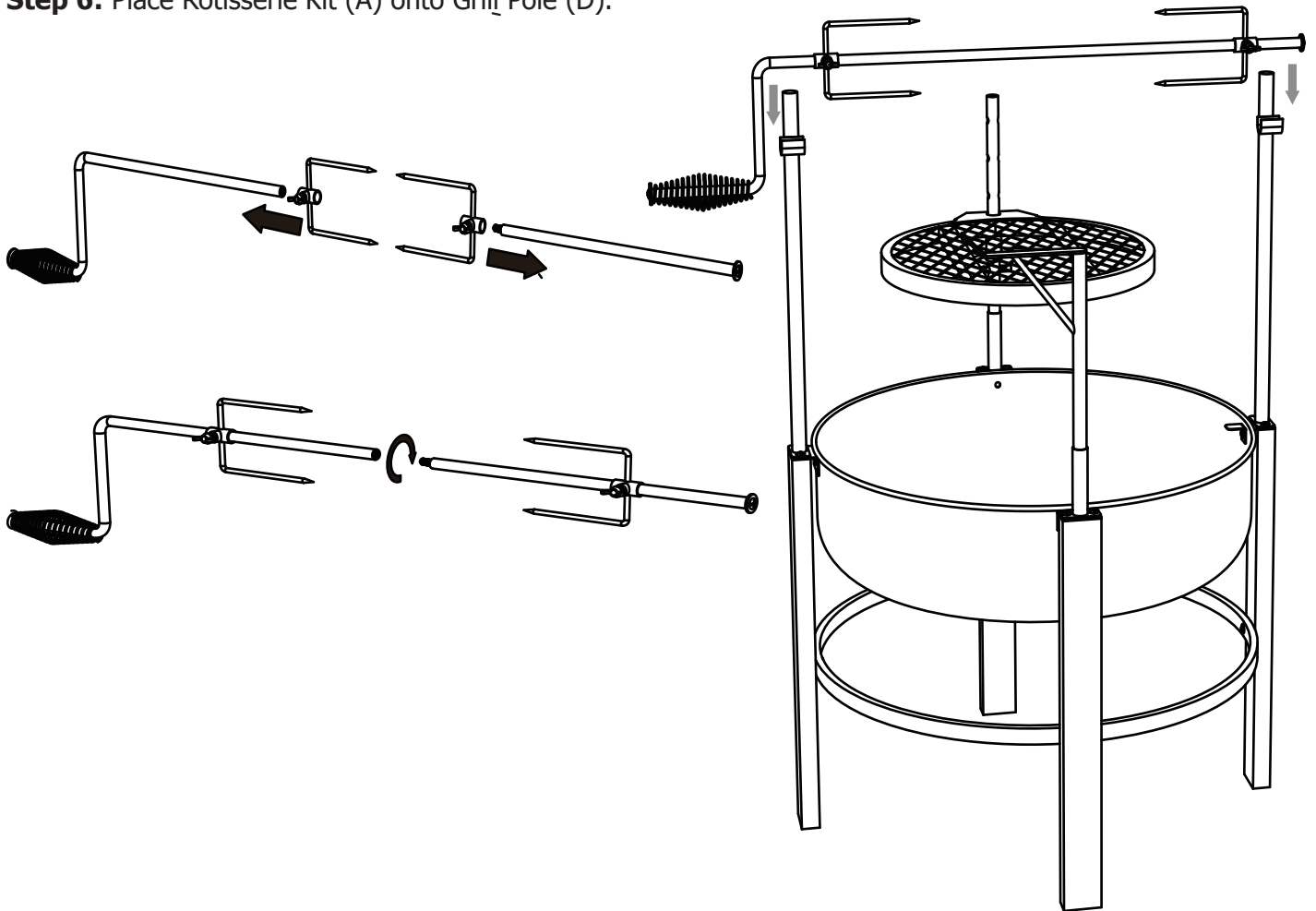
Step 4: Place Steel Arm (C) and Cooking Grill Stand (E) into Steel Arm Stand (I). Place Cooking Grill 1 (F) to Cooking Grill Stand (E). Using the L Pin (M) into the hole on pole to control the heights of the Cooking Grill 1 (F). This cooking grill 1 (F) can turn and locks in multiple positions.
Note: DO NOT bake food directly on this cooking grill, please use the cooking pan or or food-grade aluminum foil to grill indirectly.



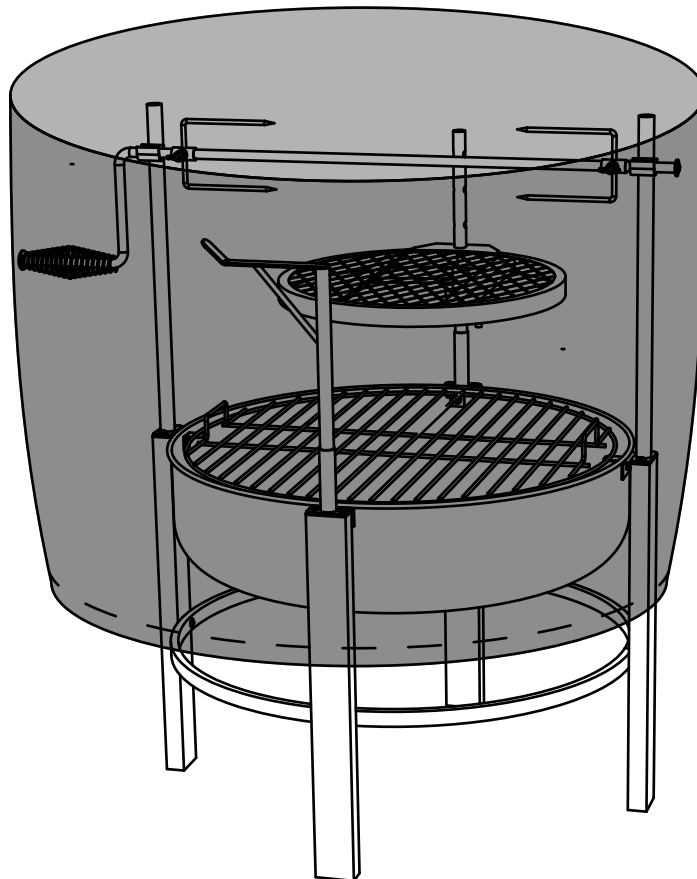
Step 5: Place Cooking Grill 1 (G) onto Cooking Grill Support (B).



Step 6: Place Rotisserie Kit (A) onto Grill Pole (D).



Step 7: Now your fire pit grill is ready for use. Keep Poker (L) near the fire pit for use anytime. After it has completely cooled, use a dry cloth to clean up the fire bowl, and then cover it with the cover.



OPERATING AND CARE INSTRUCTIONS:

1. MAINTENANCE

To ensure product safety and prolonged product life,thoroughly clean the fire pit after each use. Inspect for any damage(repair if needed).Store the fire pit in a dry place or cover to keep water out. Allow the fire pit to completely cool before attempting to clean or perform maintenance. Do not clean any part of the fire pit with abrasive chemicals or oven spray.

2. CLEANING

Mix warm water with mild dish washing detergent. Using a soft cloth,wipe the fire pit with the cleaning mixture. A nylon brush might be required to remove some stains (or use a citrus based degreaser). Rinse thoroughly and dry with a soft towel.

3. INSPECTING

Check that all hardware is tight. Look for damage or rust on the tables and grid riser post. Repair all damage before using the fire pit again. If rust is found,remove the rust and spray over using a high temperature black paint. Once the fire is out and the fire pit has completely cooled,remove and properly dispose of ash. Store the fire pit in a safe,dry place,out of reach from children and pets. For prolonged life,keep the fire pit covered and dry.

⚠ CALIFORNIA PROPOSITION 65 WARNING

WARNING: FUELS USED IN WOOD OR CHARCOAL BURNING APPLIANCES, AND THE PRODUCTS OF COMBUSTION OF SUCH FUELS, CAN EXPOSE YOU TO CHEMICALS INCLUDING CARBON BLACK, WHICH IS KNOWN TO THE STATE OF CALIFORNIA TO CAUSE CANCER, AND CARBON MONOXIDE, WHICH IS KNOWN TO THE STATE OF CALIFORNIA TO CAUSE BIRTH DEFECTS OR OTHER REPRODUCTIVE HARM. For more information go to: www.P65Warnings.ca.gov.

Welcome to share any pictures or videos about this fire pit !