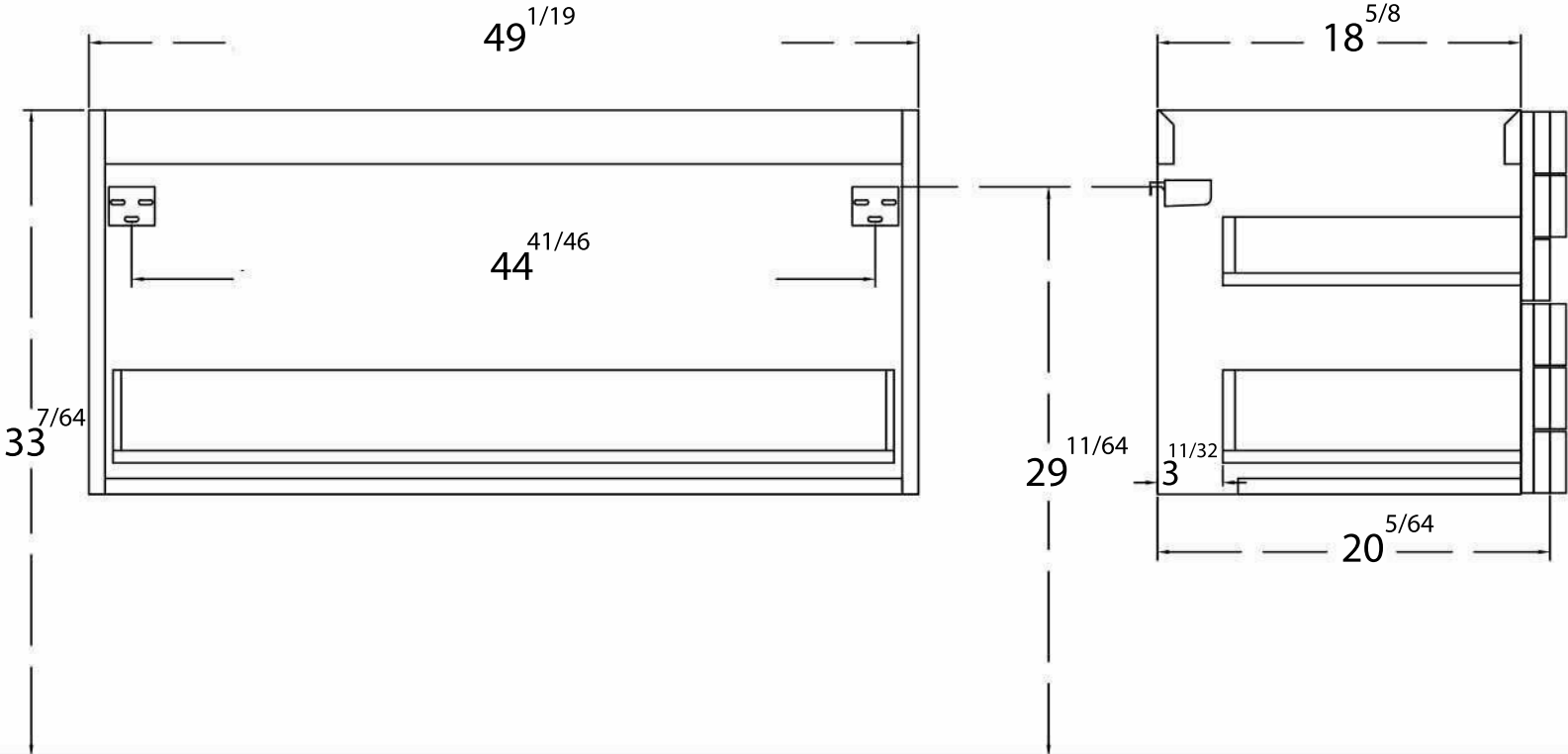
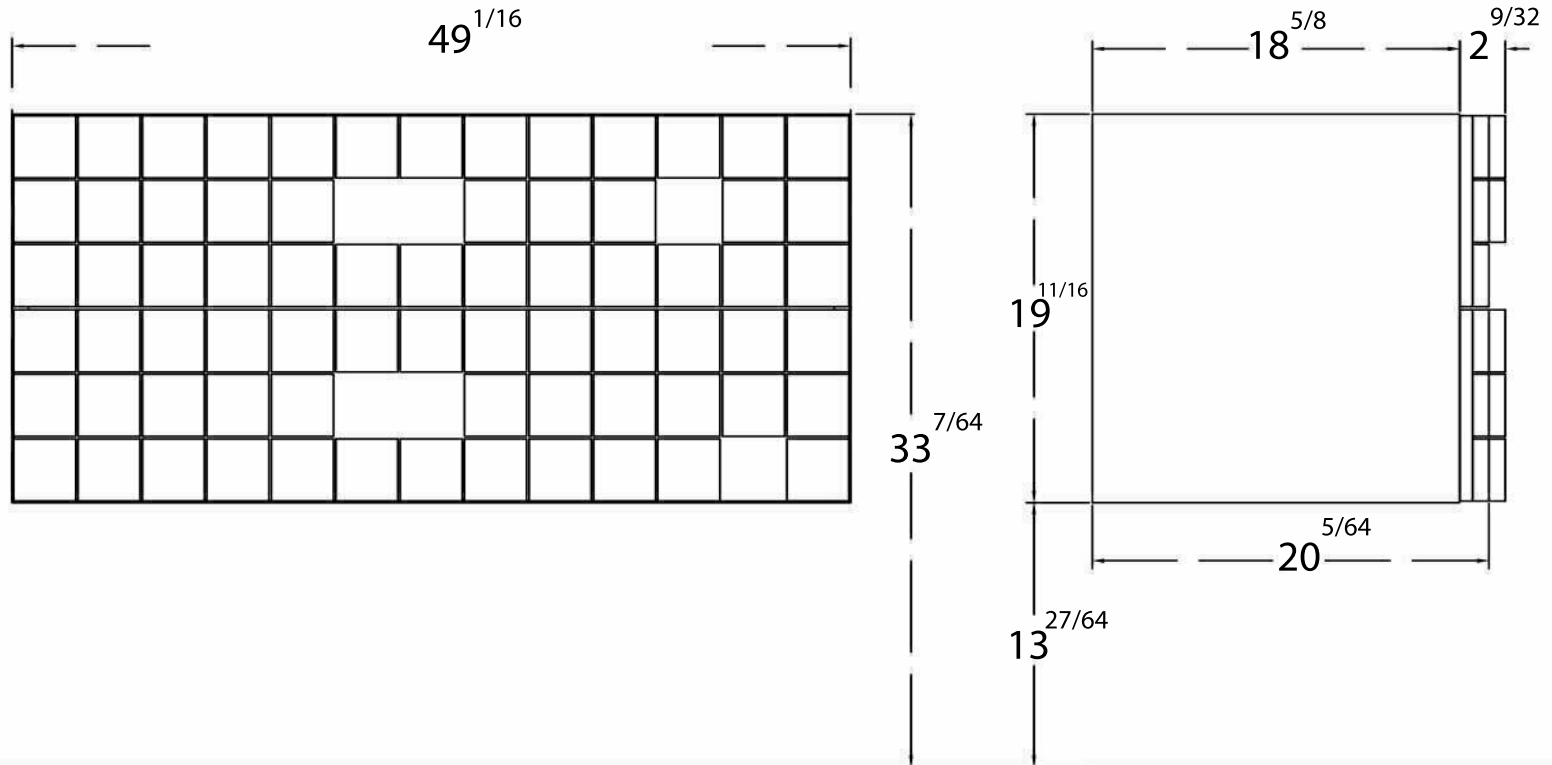


Wall Fixings



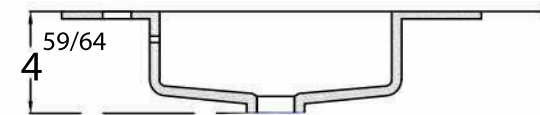
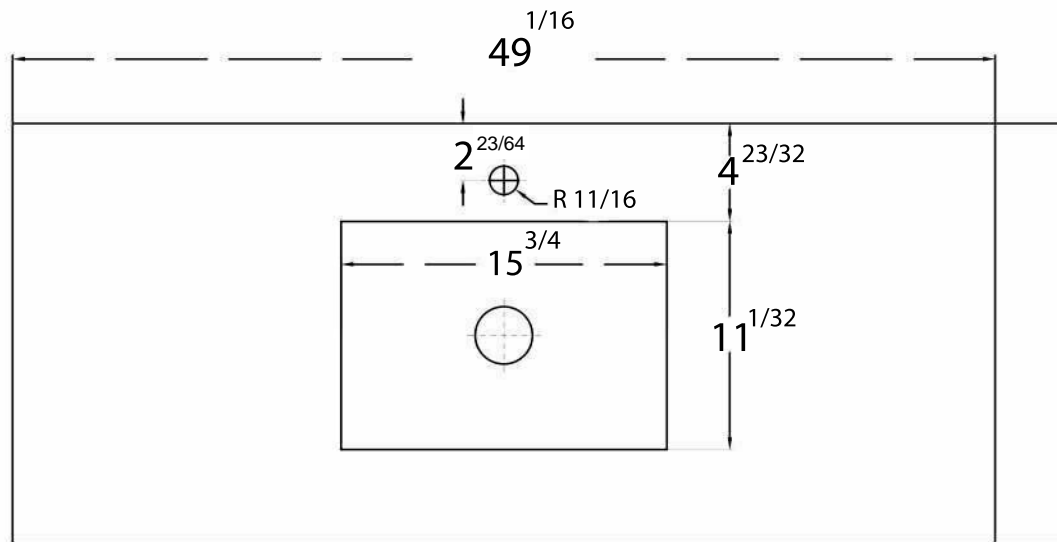
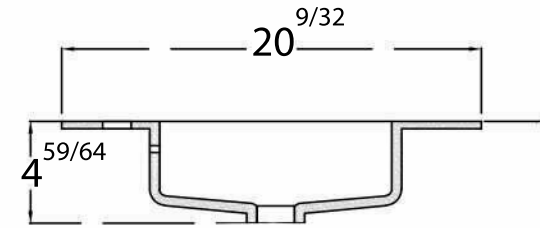
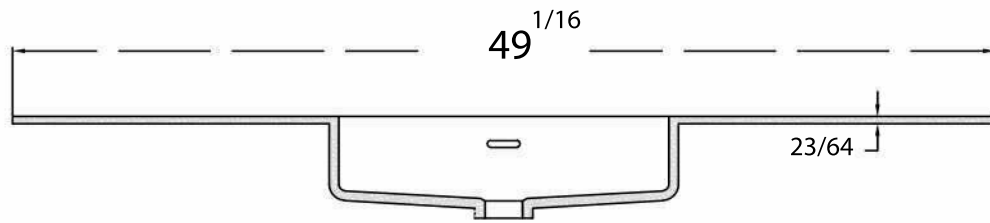
Tolerance  $\pm 5/64$

MATERIAL		FINISH	DIMENSIONS		PIECE	
AMERICAN OAK / MFC		Lacquer / Melamine	$49 \frac{1}{16}$	$x20 \frac{5}{64}$	$x19 \frac{11}{16}$	INSTALLATION
DESIGN	DATE	UNITS	PAGE	PAGES	SERIES	
	June 2023	Inches	1	2	EVVN112-48OAK	



Tolerance  $\pm 5/64$

MATERIAL		FINISH	DIMENSIONS		PIECE	
AMERICAN OAK / MFC			$49 \frac{1}{16}$	$x20 \frac{5}{64}$	$x19 \frac{11}{36}$	INSTALLATION
DESIGN	DATE	UNITS	PAGE	PAGES	SERIES	
	June 2023	Inches	2	2	EVVN112-48OAK	



Tolerance  $\pm \frac{5}{64}$

MATERIAL		FINISH	DIMENSIONS		PIECE
Solid Surface		Solid Surface	$49 \frac{1}{16}$	$29 \frac{9}{32}$	CENTRED BASIN
				$\frac{23}{64}$	
DESIGN	DATE	UNITS	PAGE	PAGES	SERIES
	June 2023	Inches	1	1	EVVN112-48OAK(BASIN)