

Tool required: Allen Wrench (provided)



Special Warnings

This fire pit is intended for Outdoor Use Only! DO NOT use on wooden decks.
This fire pit is intended to Burn Wood Logs Only! DO NOT burn coal, leaves or other combustible materials in the fire pit.
NOT for use by children. Keep children and pets away from the fire pit.
Fire pit is hot, use with caution. NEVER touch hot fire pit with bare hands.
NEVER leave burning fire pit unattended and always extinguish fire completely before leaving the fire pit.
Maintain a minimum of 5 FT from any structure!
DO NOT use near flammable or combustible objects or materials.
LOG GRATE is NOT intended for cooking and SHOULD NOT be used for this purpose.

Operation Instructions

Place wood logs on grate and light with match. DO NOT overload logs.
Please use Poker (provided) when handling.
We do not recommend pouring water over the fire unless necessary. The fire should be allowed to expire on its own.

Care and Maintenance

This fire pit is a quality built product and is made to last for many years.
The frame structure of this unit is made of powder-coated steel extrusion and under normal use, should resist rusting. Should rusting however, occur, we suggest using a steel brush on the affected area followed by a spray coating of a popular anti-rust paint.

Assembly Instructions

Estimated Assembly Time: 20 Minutes
DO NOT over tighten hardware!

Step 1 Place Mantle parts (B) on a soft, even clean surface with the groove sides upwards to form a square. Connect each by using Bolts (H1). (View Fig 1) Pls loosely tighten all bolts, complete bolt tightening process after four mantle parts be connected.

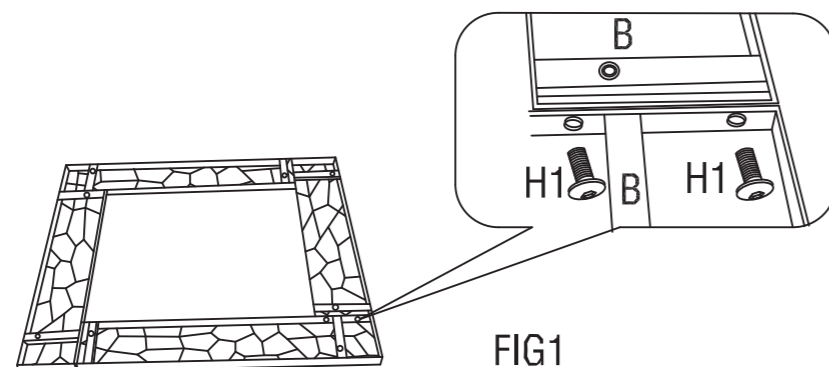


FIG1

Step 2 Attach Connecting Plates (F) to Corner Posts (A) by using Bolts (I) .Tighten the Bolts (I) with an Allen Wrench (L) (provided) . Then attach the Corner Posts (A) installed Connecting Plates (F) to the Mantles (B) by using Bolts (H2) . (View Fig 2)

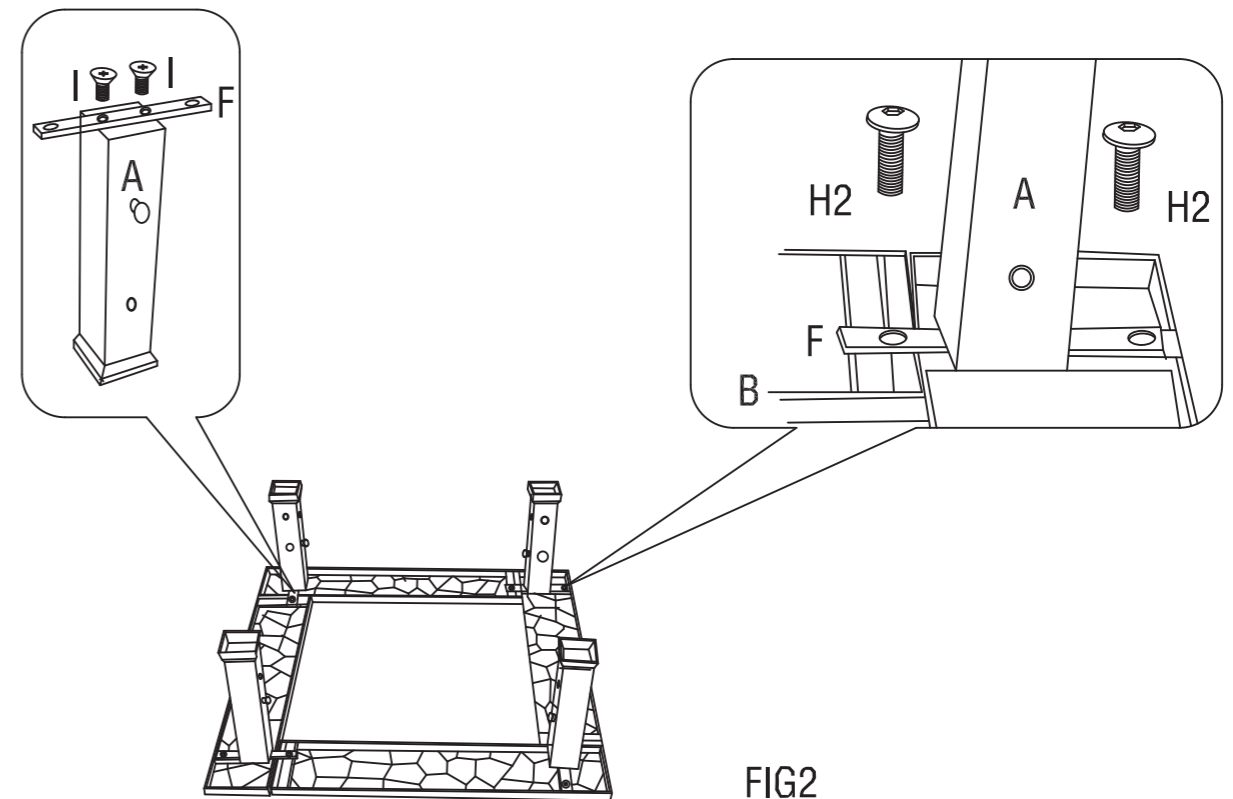


FIG2

Step 3 Mount Ladder Frames (G) to the studs pre-installed on the Corner Posts (A) . then attach the Ladder Frames (G) to the Corner Posts (A) by using Bolts (H1). (View Fig 3) .

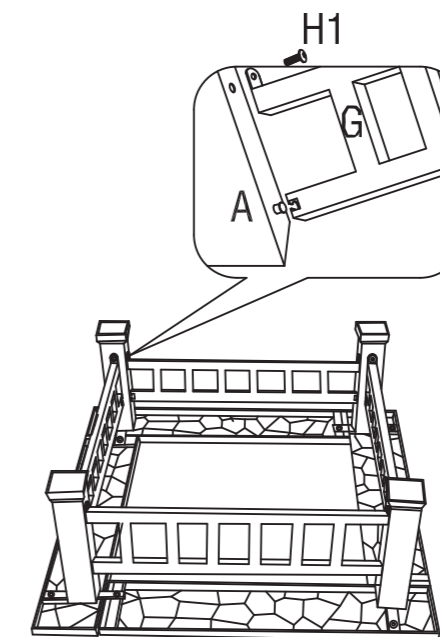


FIG3

Assembly Instructions

Step 4 Tighten all the bolts accordingly with an Allen Wrench (N) (provided) until all pieces fit together securely. Then turn the assembled fire pit frame over so that it sits securely (legs down) on a flat surface. Place Square Bowl (C) on the base and put Log Grate (N) in the Square Bowl (C) . Then place Grill (D) in the Square Bowl (C). (View Fig 4)

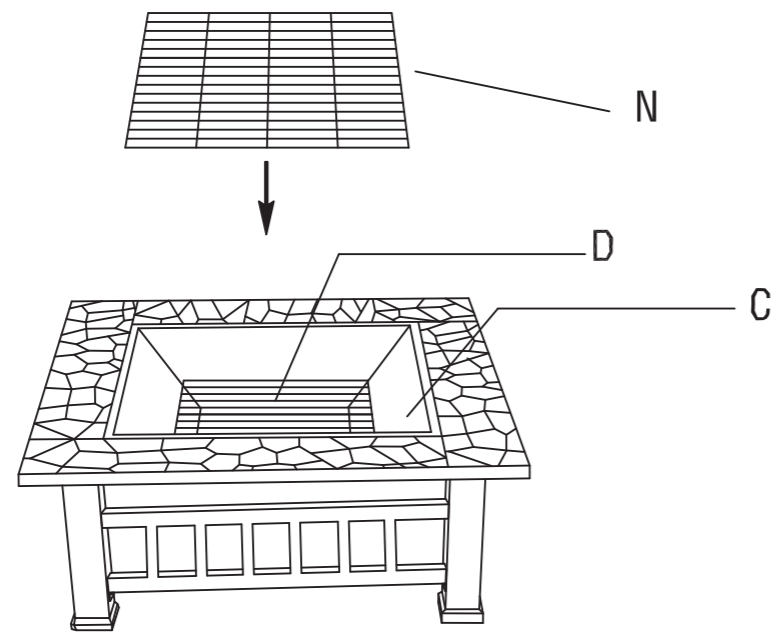


FIG4

Step 5 Remove Coffee Tabletop (N). Affix Lid Ring (J) to the Mesh Lid (E) by screwing the lid ring into the upper hole of the mesh lid. Then place the mesh lid on the square bowl. (View Fig 5)

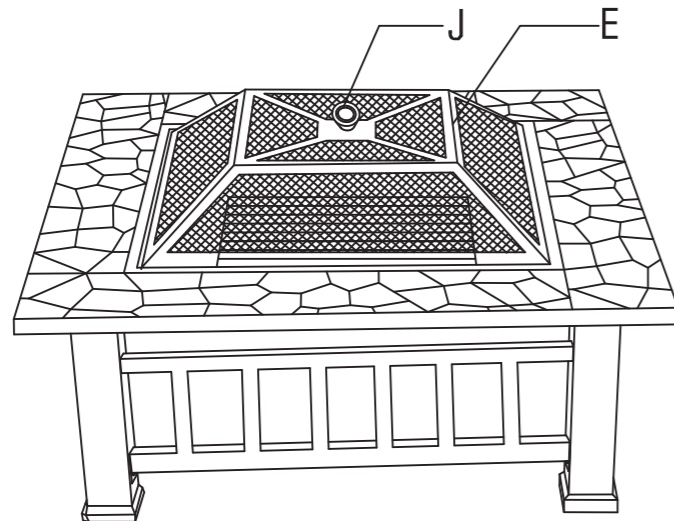


FIG5

Contact email : sale5@moda-furnishings.com

Part List

Part List	Description	Qty.	Drawings
A	Corner Post	4	
B	Mantle	4	
C	Square Bowl	1	
D	Log Grate	1	
E	Mesh Lid	1	
F	Connecting Plate	4	
G	Ladder Frame	4	
H1	Bolt (M6X12mm)	16	
H2	Bolt (M6X15mm)	8	
I	Bolt (M6X12mm)	8	
J	Lid Ring	1	
K	Protective Cover	1	
L	Poker	1	
M	Allen Wrench (M4)	1	
N	Grill	1	