

ASSEMBLY INSTRUCTIONS

Nightstand

MOD-7341 / MOD-7342 V0.01.27.26

modway



Questions? Contact us!

609.256.9000

cs@modway.com

Welcome.

Let's get started.

Before you begin, here are some things to keep in mind:

Assembly will take most people **about 30 minutes**. Consider having a friend help you!

Only use hand tools to assemble this item. Do not use power tools. Do not tighten bolts or screws completely until all hardware is lined up and inserted into the holes.

Read through all of the instructions before starting. Make sure you have all parts and components before discarding any packing materials.

Do not over-tighten screws and bolts to avoid stripping the hardware or cracking the item.

Assemble your item on a flat, carpeted area, with plenty of space to work. This will prevent damage and scratches to your floors or the item while you're assembling the product.

Keep all components and packaging out of reach of children or animals to avoid risk of choking or suffocation.

Care instructions are listed in the last step of this manual.

WAIT!

Missing parts or hardware? Need assistance?
Contact us before returning your item.
We're here to help!



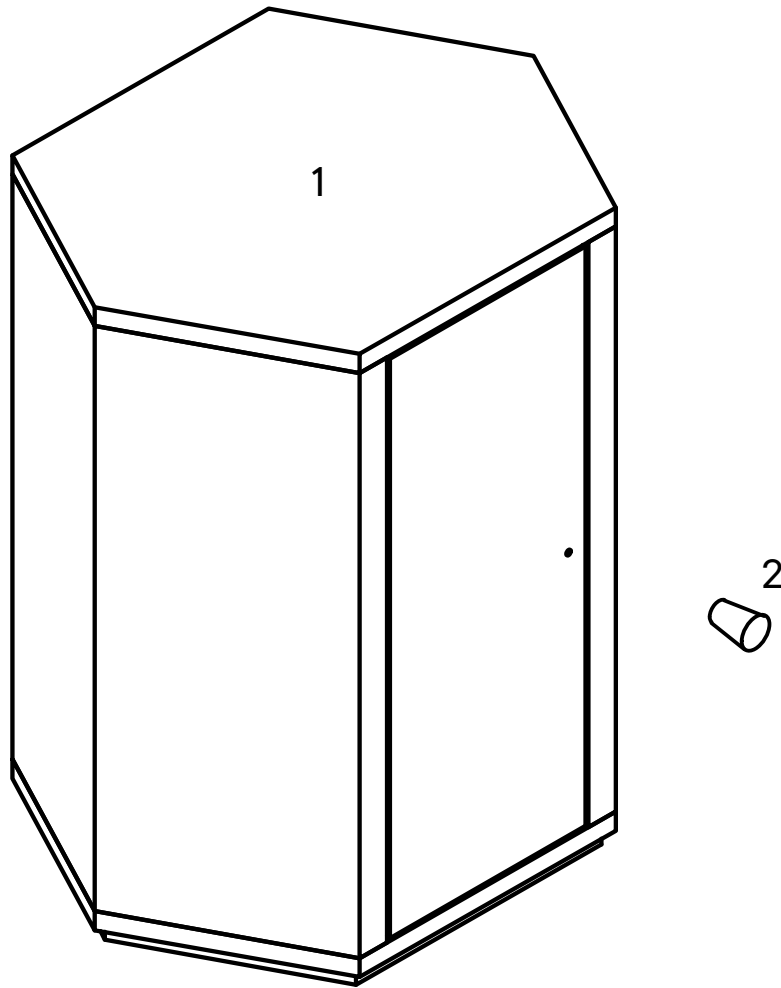
WHAT YOU NEED:



Phillips Head Screwdriver

FURNITURE COMPONENTS INCLUDED IN THE BOX:

All parts are numbered with a sticker according to this list.



1 Nightstand

x1

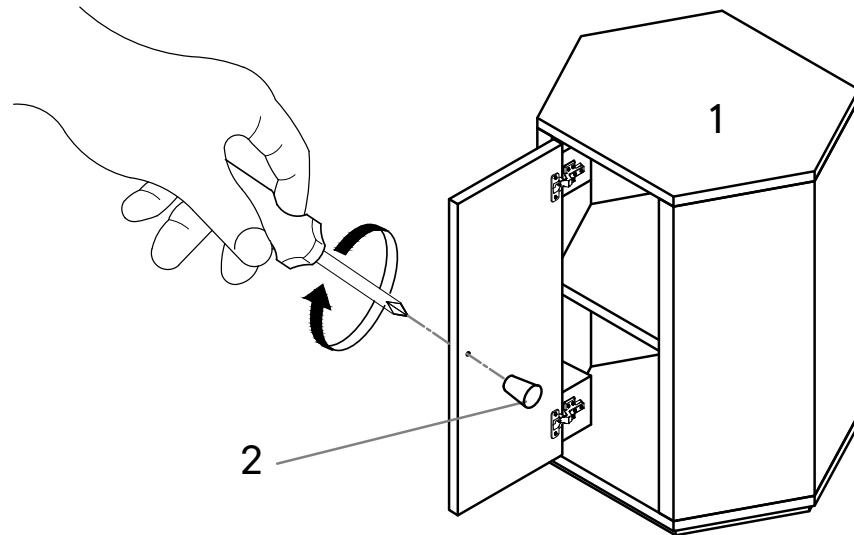
2 Knob

x1

COMPONENTS

| | | |
|---|------------|----|
| ① | Nightstand | x1 |
| ② | Knob | x1 |

1.1 Disassemble the Knob (2) from the Nightstand (1).
(Keep Knob and Bolt for reassembly later)

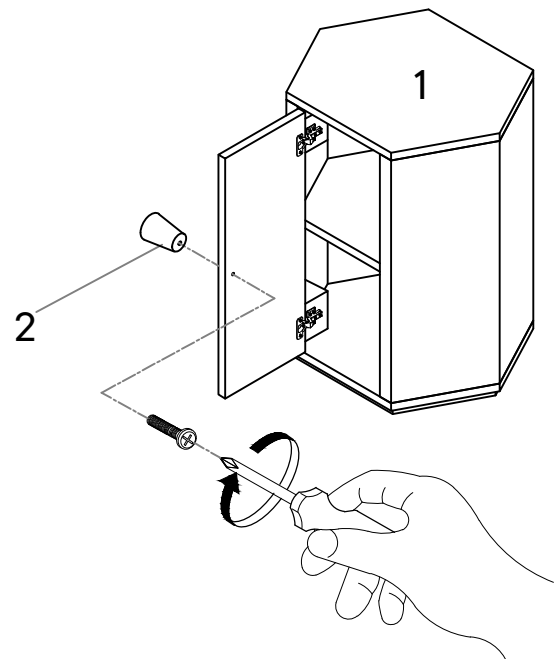
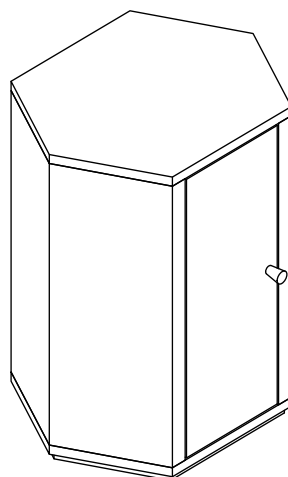


STEP 02

COMPONENTS

| | | |
|---|------------|----|
| ① | Nightstand | x1 |
| ② | Knob | x1 |

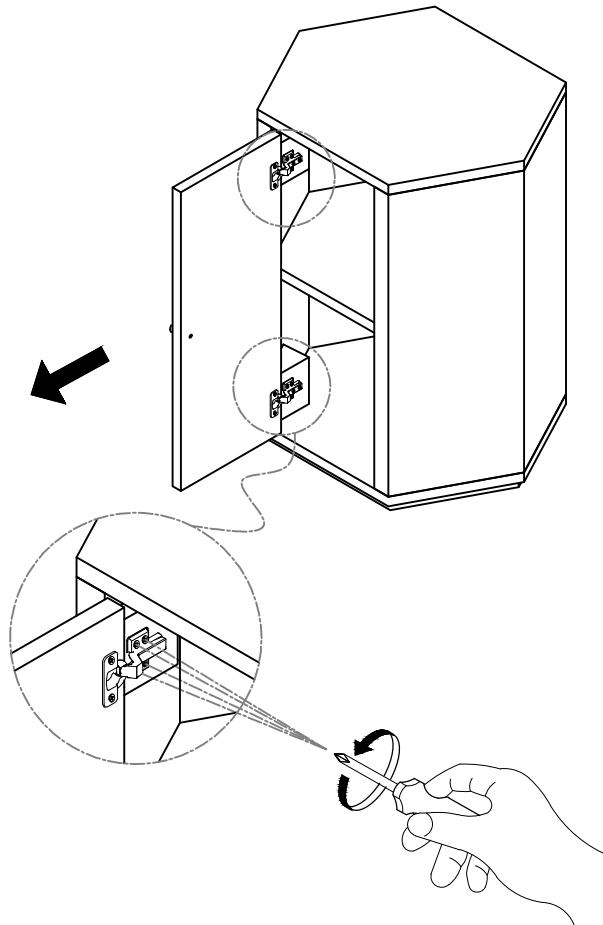
2.1 Assemble the Knob (2) to the Nightstand (1).



NOTE: The Nightstand is currently
Left-hand Reverse.

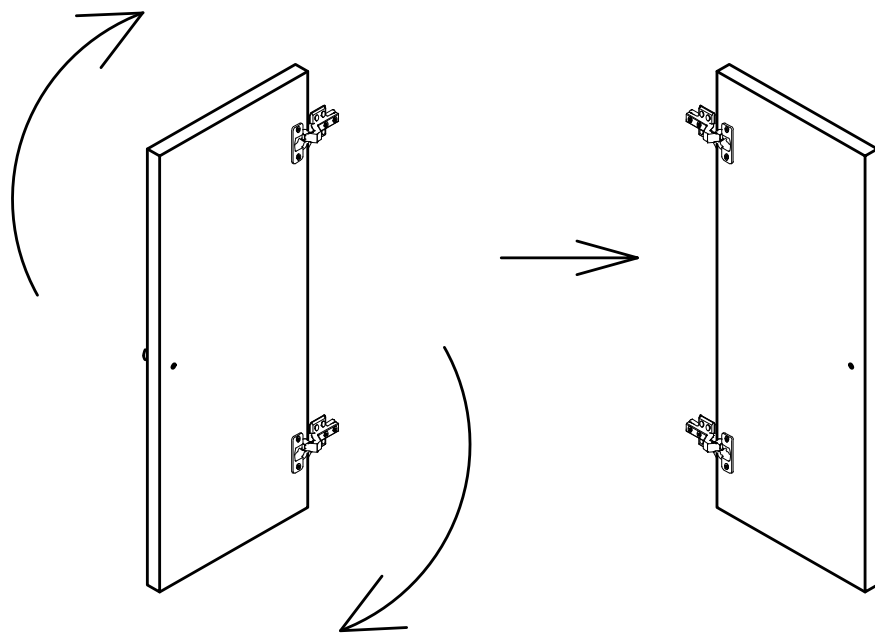
STEP 03

3.1. Optional: Right-hand Reverse:
Disassemble the door (including
both Hinges)

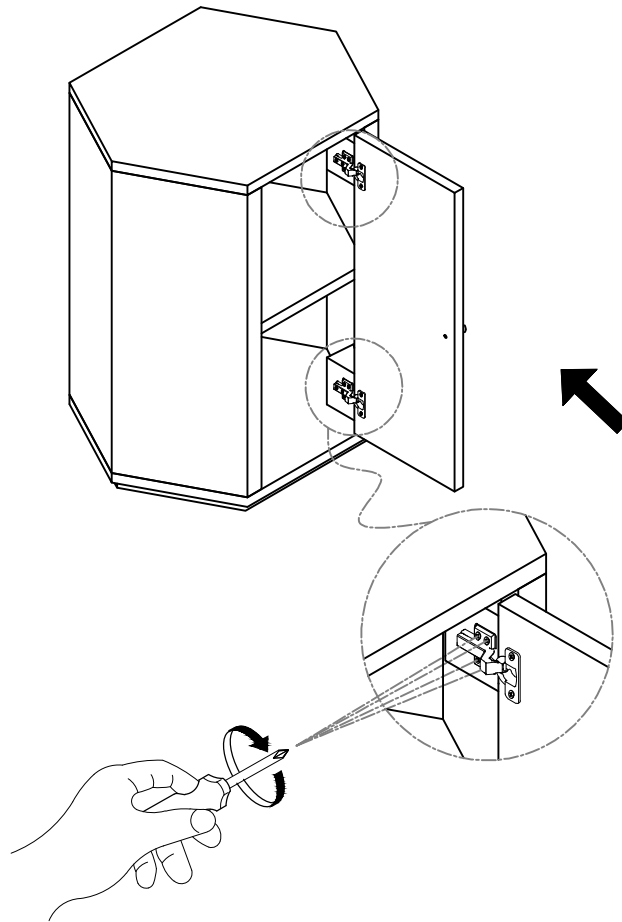


STEP 04

4.1 Turn the Door upside down.

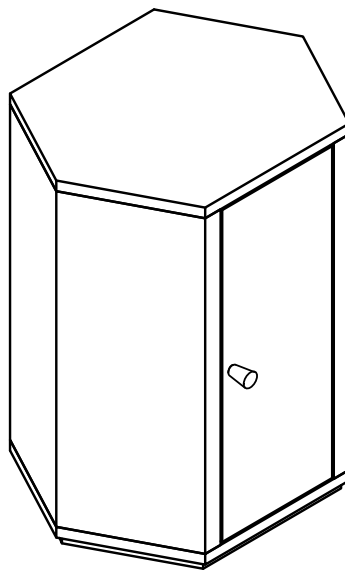


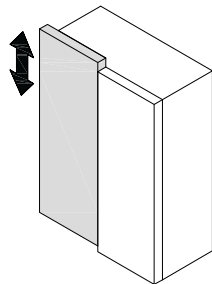
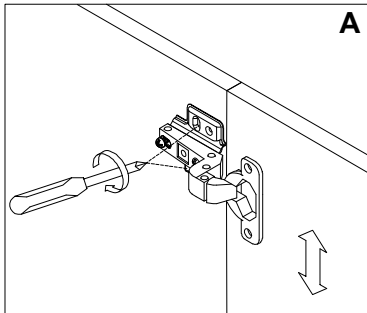
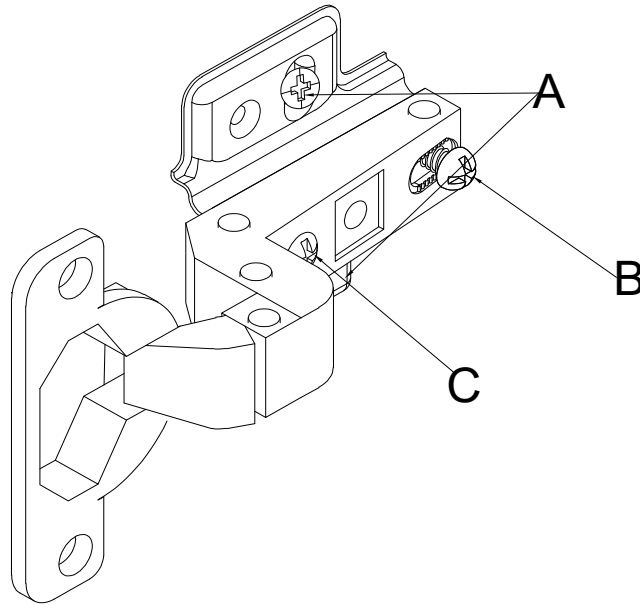
5.1. Reinstall the Door (including both Hinges) to the opposite side.



STEP 06

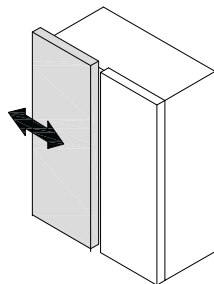
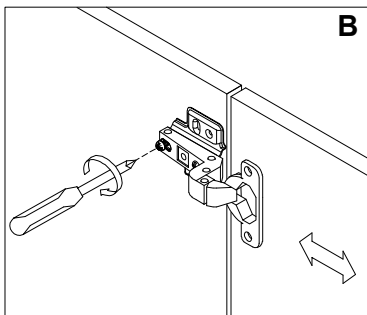
6.1. The Nightstand is now finished as Nightstand Üçerle .





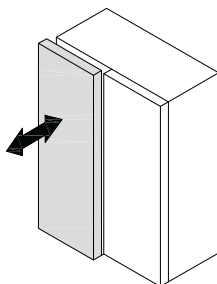
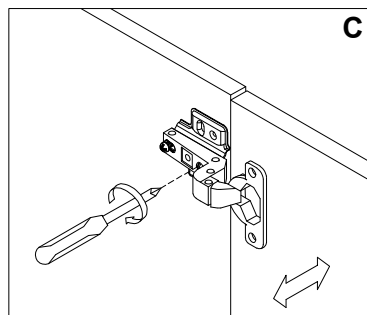
To Adjust the Vertical height.

Loosen the two screws "A" on both hinges. Two of them are usually in slotted holes which allows you to adjust up or down by few mm. Then tighten back up.



To Adjust depth.

Loosen Screw "B" and adjust door, if the door can not be adjusted, please loosen screw "C", then try again. Tighten screw "B" and "C".



To adjust side ways.

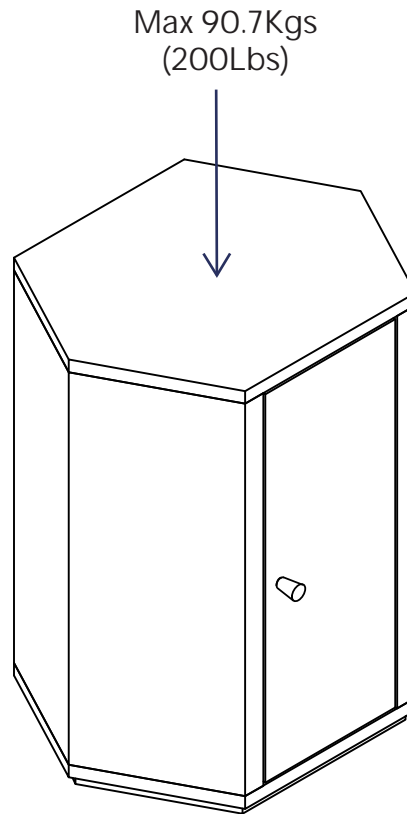
Turn screw "C" on BOTH hinges on each door.

Great job!

Nightstand assembly is completed and ready for using.

CARING FOR YOUR ITEM

- Indoor use only.
- Not contract grade.
- Clean using a non-abrasive cloth and a mild cleaner.
- Never use harsh chemicals, as they could damage the finish or integrity of the item.



CONNECT WITH US!

Tag us [@modway_furniture](#) and [#modway](#) for a chance to be featured.

modway



Questions? Contact us!
609.256.9000
cs@modway.com