

**! DANGER**  
**FIRE OR EXPLOSION HAZARD**  
 If you smell gas:  
 • Shut off gas to the appliance.  
 • Extinguish any open flame.  
 • If odor continues, leave the area immediately.  
 • After leaving the area, call your gas supplier or fire department.  
 Failure to follow these instructions could result in fire or explosion, which could cause property damage, personal injury, or death.

**! WARNING**  
 Do not store or use gasoline or other flammable vapors and liquids in the vicinity of this or any other appliance. An LP-cylinder not connected for use shall not be stored in the vicinity of this or any other appliance.

**INSTALLER:** Leave this manual with the appliance.  
**CONSUMER:** Retain this manual for future reference.

**! WARNING**  
 Improper installation, adjustment, alteration, service or maintenance can cause property damage, personal injury or loss of life. Refer to the owner's information manual provided with this appliance. Installation and service must be performed by a qualified installer, services agency, or the gas supplier.

**! WARNING**  
 For outdoor use only. Installation and service must be performed by a qualified installer, service agency, or the gas supplier.

**! WARNING**  
 If the information in this manual is not followed exactly, a fire or explosion may result causing property damage, personal injury, or loss of life.



**! DANGER**



**CARBON MONOXIDE HAZARD**

This appliance can produce carbon monoxide which has no odor.  
 Using it in an enclosed space can kill you.  
 Never use this appliance in an enclosed space such as a camper, tent, car or home.

**ATTACH YOUR RECEIPT HERE**

Serial Number \_\_\_\_\_ Purchase Date \_\_\_\_\_



**Questions, problems, missing parts?** Before returning to your retailer, call our customer service department at 1-866-439-9800, 8 am - 8 pm, EST, Monday - Sunday. You could also contact us at [partsplus@lowes.com](mailto:partsplus@lowes.com) or visit [www.lowespartsplus.com](http://www.lowespartsplus.com).

## SAFETY INFORMATION

---

Please read and understand this entire manual before attempting to assemble, operate or install the product. Failure to follow the dangers, warnings and cautions contained in this owners manual may result in a fire or explosion causing damage to property, serious bodily injury or death.

### **WARNING**

- The installation of this unit must adhere to local codes or Propane Storage and Handling Code, CSA B149.2.
- **THIS UNIT IS INTENDED FOR OUTDOOR USE ONLY!** This product shall be used outdoors, in a ventilated space and shall not be used in any enclosed area.
- This unit is to be used with propane gas only! (sold separately)
- Do not attach a remote gas supply to this unit.
- Only use propane gas for this unit.
- Solid fuels shall not be burned in this appliance.
- When igniting this unit, stay away from the burner as the flame will light up and may cause injury.
- **LP GAS WARNING:** Do not use any more than 1/4in depth lava rocks/pumice stones/LavaGlass® above the burner holes. Doing so will suffocate the flame.
- If the propane gas tank is leaking gas, you may hear, see, or smell a hiss. Do the following:
  1. Disconnect the propane gas tank.
  2. Do not attempt to fix the problem yourself.
  3. Contact your gas supplier or fire department for help.
- Applying too much propane may result in gas pooling and will not burn. Allow fresh air into the unit so that the remaining gas may escape.
- Do not use a flame to check for gas leaks.
- Manifold pressure: 11 inch w.c. (2.74kPa).
- use LP propane tanks with the following dimensions: diameter 12 in. height 18 in. - capacity 20 lbs.
- You must use a propane tank that has a collar to protect the gas valve.
- Do not fill tank over 80 percent full.
- The tank system must be set up for vapor withdrawal.
- Discontinue use if any part of the propane tank is damaged. Rust and dents may be hazardous and should be inspected by a gas supplier.
- Do not burn anything other than the provided materials for this fire table.
- Keep away from the unit for the first 20 minutes after igniting your unit for the first time, as lava rocks/pumice stones/LavaGlass® could pop out and cause injury. Should any rocks pop out, discard them.
- Always ensure that lava rocks/pumice stones/LavaGlass® are completely dry before use. Failure to do so will cause them to crack or pop.
- Do not operate unit until all parts are fully assembled.
- Do not paint or color any part of this heating unit.
- Unit may be hot while in use, do not attempt to move it while in use.
- Never leave this heating unit unattended while in use.
- This unit is not intended for cooking.
- Keep any flammable items away and do not use any other fireplace cover for this unit.
- Keep a safe distance to avoid burning skin or clothing.
- Do not sit or rest hands or feet on this heating unit.
- Never place hands or fingers on upper portion of this unit while in use.
- Keep all electrical cords and fuel supply hose away from heated surfaces.
- Cover must be removed when burner is in operation.

## SAFETY INFORMATION

---

- Combustible material should not be within 60 inches of the top of the unit, or within 48 inches around the entire unit.
- Keep the appliance area clear and free from combustible material, gasoline and other flammable vapors and liquids.
- If the flame goes out while burning, turn the gas valve off. Wait for 5 minutes before repeating the initial lighting procedure. Once you have a flame started, hold down the control knob for 1 minute.
- Do not add water into the unit.
- Do not operate unit if any part has been under water. Immediately call a qualified service technician to inspect the appliance and replace any part of the control system and any gas control that has been under water.
- Do not disconnect any part while unit is in use.
- Do not store a spare propane tank on or near this unit.
- If the heating unit is indoors, detach the propane tank and leave outdoors.
- Do not operate on a boat or vehicle. This unit must be used on a flat surface outdoors ONLY.
- Always remove protective cover before operating (if applicable).
- Do not set the protective cover over the unit until it is turned off and completely cooled down.
- Check for leaks after not using the unit for long periods of time.
- **Children should never operate this unit. Children must be supervised while near this unit.**
- Keep gas tank at least 5 feet away from unit when lit. (if external tank)
- Maximum gas supply: 250 psi; Min. gas supply: 10 psi.
- **All installation and repair should be done by a qualified professional. this unit should be inspected annually and cleaned regularly.**
- Inspect all elements of this heating unit before each use. If there is damage, the burner must be replaced.
- Keep the hose out from any pathways to eliminate any accidental damage. (if external tank)
- Be aware of the hazards of high temperatures and stay away from the unit to avoid any burns or injury.
- The gas supply tank should be constructed and marked with the specifications for the LP gas tanks of the U.S. Department of Transportation or the National Standard of Canada CAN/CSA-B339, LP gas tanks, spheres and tubes for Transportation of Dangerous Goods; and Commission.
- The LP gas tank must have a listed overfilling prevention device and a QCCI or type I, (CGA791) LP gas tank connection.
- This heating appliance should not be used on plastic or artificial wood decks.
- **Children and adults should be alerted to the hazards of high surface temperatures and should stay away to avoid burns or clothing ignition.**
- **Young children should be carefully supervised when they are in the area of the appliance.**
- **Clothing or other flammable materials should not be hung from the appliance or placed on or near the appliance.**
- **Any guard or other protective device removed for servicing the appliance shall be replaced prior to operating the appliance.**
- **Installation and repair should be done by a qualified service person. the appliance should be inspected before use and at least annually by a qualified service person. More frequent cleaning may be required as necessary. It is imperative that the control compartment, burners and circulating airways of the appliance are kept clean.**

### IF APPLICABLE:

- Allow heating item to cool completely before placing on lid.
- DO NOT use heating item while lid is installed. Always remove the lid while heating item is in use.

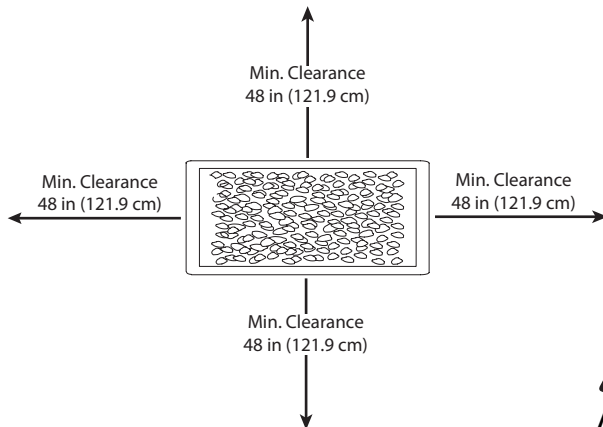
## SAFETY INFORMATION

---

Only use the regulator and hose assembly provided with this unit. Replacement parts must be supplied directly by the manufacturer.

Inspect the burner before use of this unit. If the burner shows any kind of damage, do not operate the appliance. For assistance with repair or replacement of the burner or any other parts, call our customer department at 1-866-439-9800.

**NOTE: You must follow all steps to properly assemble this heating item. Make sure the gas valve is turned “OFF” before assembling. Do NOT attempt to assemble without proper tools.**



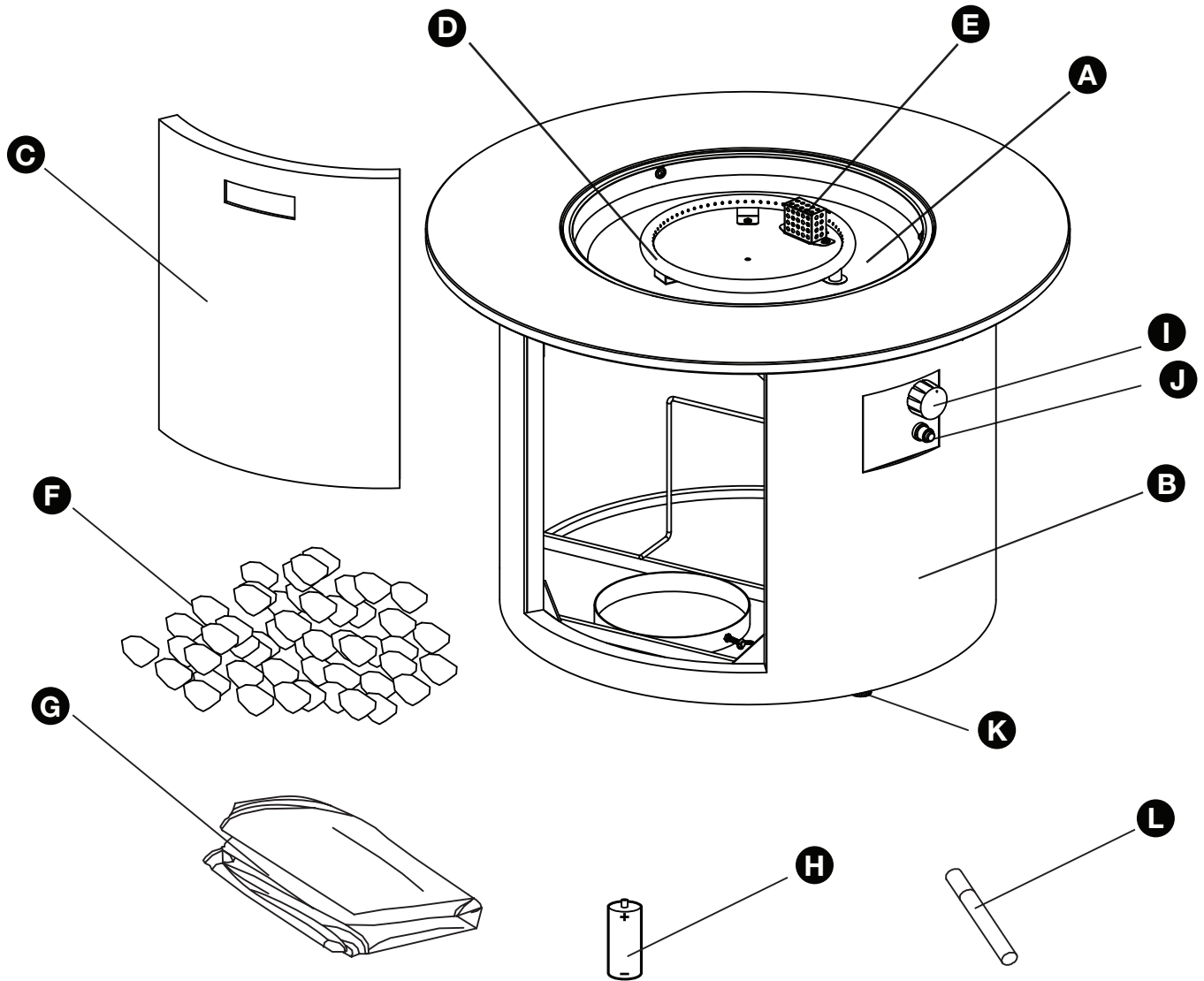
**Combustible materials should not be within 60 inches of the top of the unit, or within 48 inches around the entire unit.**



### **DANGER**

Always place this outdoor fire pit on a hard, level, non-combustible surface such as concrete, rock or stone.

**PACKAGE CONTENTS**



| PART | DESCRIPTION                       | QUANTITY |
|------|-----------------------------------|----------|
| A    | Firebowl                          | 1        |
| B    | Body                              | 1        |
| C    | Door                              | 1        |
| D    | Burner (preassembled)             | 1        |
| E    | Guard (preassembled)              | 1        |
| F    | Lava Rocks                        | 2 bags   |
| G    | Protective Cover                  | 1        |
| H    | Battery (AAA)                     | 1        |
| I    | Control Knob (preassembled)       | 1        |
| J    | Electronic Igniter (preassembled) | 1        |
| K    | Feet (preassembled)               | 3        |
| L    | Touch-up Pen                      | 1        |

## **PREPARATION**

---

Before beginning assembly of product, make sure all parts are present. Compare parts with package contents list and hardware contents list. If any parts are missing or damaged, do not attempt to assemble the product.

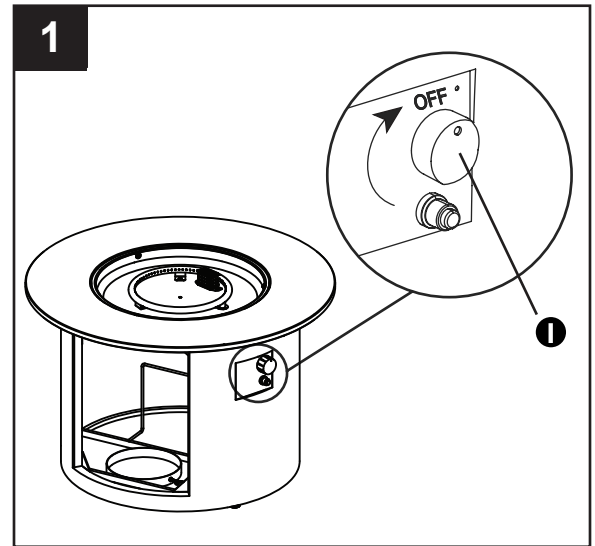
**Estimated Assembly Time:** 10 minutes

No tools required.

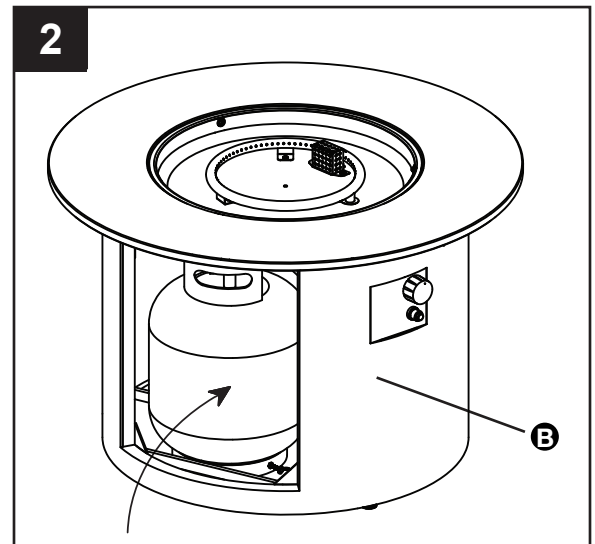
**NOTE:** You must follow all steps to properly assemble the heating unit. Make sure the gas valve is turned "OFF" before assembling. Do NOT attempt to assemble without proper tools.

## ASSEMBLY INSTRUCTIONS

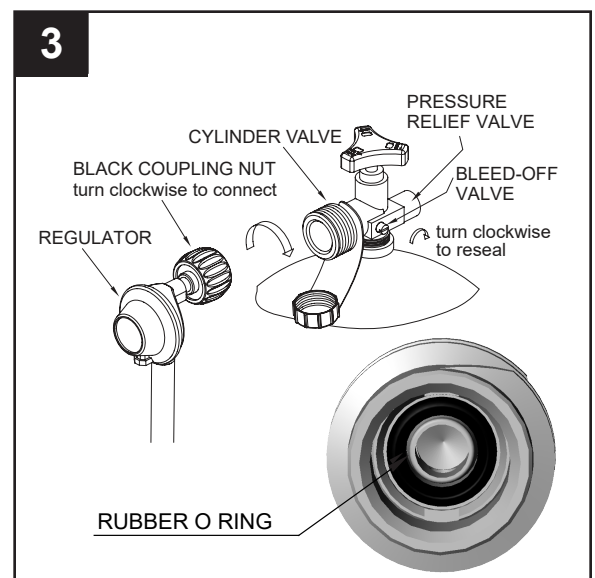
1. Check that the control knob (I) for the gas supply system is turned to the "OFF" position before starting any assembly.



2. Remove door from body (B) and place propane gas tank (not included) into the metal stand inside of the body (B).



3. Turn the cylinder valve on the tank clockwise to close the propane tank. Attach the preassembled regulator from the body (B) to the cylinder valve by turning the regulator coupling nut clockwise. Make sure it is fastened securely and tighten connections by hand only.

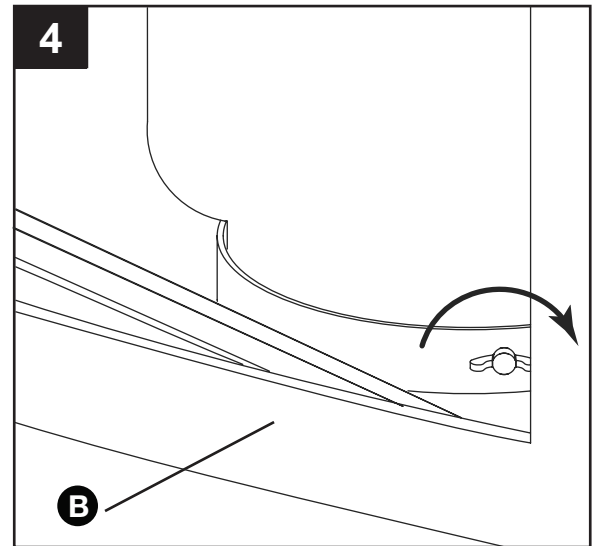


### **!** WARNING

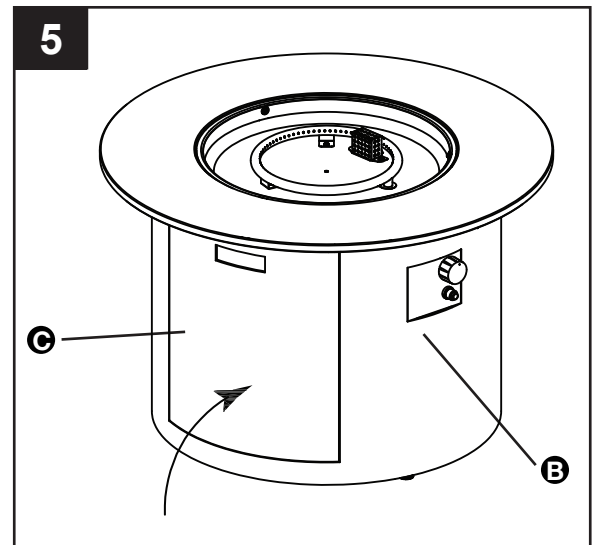
Please inspect the rubber O ring in the propane tank valve to ensure it is not worn before attaching regulator. Worn rubber O ring can cause leaks, explosions and serious injury by propane tank.

## ASSEMBLY INSTRUCTIONS

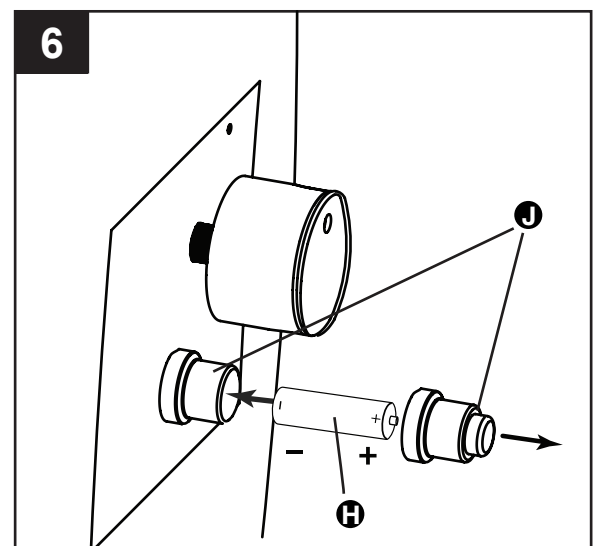
4. Once the tank is attached to the regulator, make sure the propane gas tank sits on the metal stand inside body (B) completely. Turn the preassembled wing screw on the outer part of metal stand clockwise to secure the propane gas tank tightly.



5. Replace door (C) onto the body (B).



6. Remove the rubber cap on the electronic igniter (J) by unscrewing and slide battery (H) into the battery slot. Make sure the positive side of the battery faces outwards. Screw the electronic igniter cap (J) over the battery tightly.



## ASSEMBLY INSTRUCTIONS

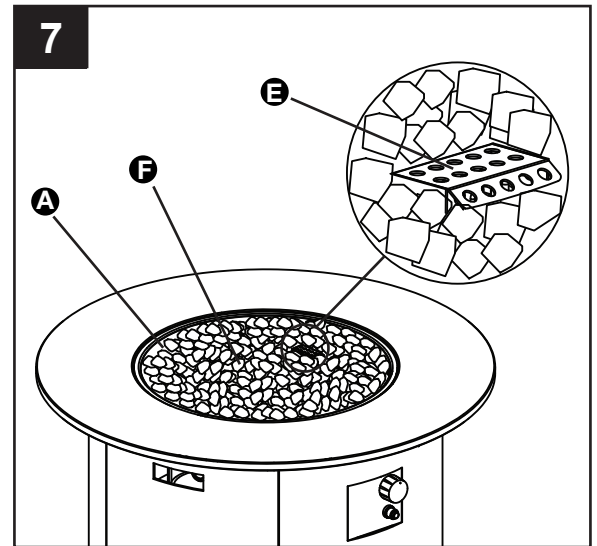
7. Pour lava rocks (F) into the firebowl (A).

### **WARNING**

To ensure proper function, the guard (E) on this burner (D) should be free of lava rocks at all times.

Keep away from the unit and have the unit to burn 20 minutes for the first time use.

Always ensure that lava rocks/pumice stones/LavaGlass® are completely dry before use. Failure to do so will cause them to crack or pop.

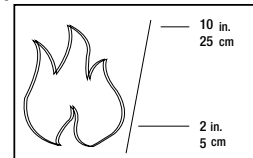


## OPERATING INSTRUCTIONS

Before performing a leak test, be sure that no sparks can occur and you are in a spacious outdoor area. Connect the propane gas tank to the regulator and turn the valve on the unit to the “OFF” position. Brush a soap and water mixture on all connections. Turn the gas supply on; if bubbles occur on any connection there may be a leak. **If you smell gas or a leak is discovered turn the gas valve off, disconnect propane gas tank and do not use the appliance until the leak is repaired.**

Do not use the heating unit without inspecting the gas hose. If there are signs of wear or abrasion you must replace the hose (if applicable). Pumice stones/lava rocks/LavaGlass® could pop up and strike somebody’s face during the process of lighting this unit; stand away from the unit for the first 20 minutes after igniting. Flame height should be a yellow/blue color between 2 - 10 inches in height.

Wait 50 minutes after extinguishing flame prior to place a lid (if applicable) or protective cover on heating item.

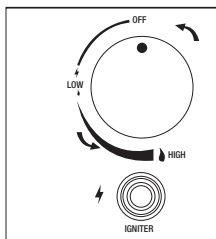


### To Light

1. Make sure the control knob (I) is in the “OFF” position.
2. Remove door (C) and slowly open the valve on the propane gas tank by turning the knob counterclockwise.
3. Replace the door (C) on the body (B).
4. Push and hold in the electronic igniter (J) to create sparks within the electrode, continue to hold.
5. Push in the control knob (I) and turn to the “LOW” position. Keep holding down the control knob (I) to allow gas to flow for 15 seconds.
6. If ignition doesn’t occur within a few seconds, release the control knob (I) and rotate to the “OFF” position. Wait for 5 minutes for gas to clear and then repeat the above lighting instructions.
7. Once the fire product is lit, the flame intensity may be controlled by turning the control knob (I) between the “LOW” and “HIGH” positions.

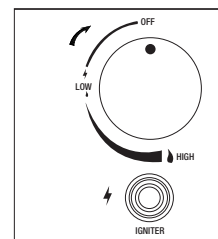
### To Extinguish

1. Turn control knob (I) clockwise to the “LOW” position; let the knob pop up and continue turning the control knob (I) to the “OFF” position.
2. Close the cylinder valve on the propane gas tank if you don’t intend to use it for a long time.



### WARNING

If the burner does not ignite with the burner control valve open, gas will continue to flow out of the burner and could accidentally ignite causing injury or property damage.



## CARE AND MAINTENANCE

---

- Before performing any maintenance always disconnect propane gas tank.
- **Store your product indoors during winter months. Avoiding extreme cold temperatures will prevent from exposure damage.**
- Keep the heating item free and clear from combustible materials.
- Visually inspect burner for obstructions and keep tank enclosure free and clear from debris.
- Use a soft brush to get rid of the mild stains, loose dirt and soil after the burner and pumice stones/lava rocks/LavaGlass® are completely cooled down. Wipe down with a soft cloth.
- Harsh weather conditions may cause stubborn stains, discoloration and possibly rust pitting.
- Permanent damage may occur if powder or solvent comes in contact with painted or plastic components on this heating unit.
- Keep the heating unit stored away from direct sunlight.
- If storing this unit inside, disconnect the propane gas tank from the gas valve.
- Not using manufacturer approved or supplied parts/accessories may result in a defective condition and void the warranty of this heating unit.
- Always place lid (if applicable) or protective cover on heating item when not in use.

### Envirostone® Surface Care

Our Envirostone® material has been sealed with a patented treatment to prevent staining and moisture absorption, but it does require proper maintenance to ensure the integrity of the surface. Please see below for recommendations on maintaining your Envirostone® surface for years of pleasure:

- Clean any spills immediately to prevent permanent Envirostone® surface staining or damage. Blot any liquid spills with a clean, dry cloth to avoid spreading of the spill to the rest of the table. Clean your Envirostone® surface with a soft, clean cloth or sponge. Mix a solution of warm clean water and mild dish soap to remove any surface dirt or mild spills. Rinse all soap solution off of the tabletop and dry completely to avoid water spots. Regularly cleaning the Envirostone® surface will aid in a longer lasting product.
- Do not use petroleum-based or abrasive cleaning products. Do not use any harsh brushes when cleaning the Envirostone® surface.
- Do not slide products across the Envirostone® surface to avoid permanent scratching and damage.
- Always use protective mats such as coasters or placemats when eating on an Envirostone® surface. These protective products will help absorb sweating on cool beverages and will block out any heat rings from appearing beneath a warm mug or plate. When placing hot dishes on an Envirostone® surface, always use mats or hot pads.
- Envirostone® surface must be covered at all times when not in use. Cover your product with an outdoor furniture cover when not in use to protect it from the elements. Store your product indoors during winter months. Avoiding extreme cold temperatures will prevent cracking of the tabletop.



**Wipe spills immediately**



**Use coasters**



**No harsh chemicals**



**Protect from elements**

## TROUBLESHOOTING

| PROBLEM                                 | POSSIBLE CAUSE                                                                                                                                                                                                                                                                                          | CORRECTIVE ACTION                                                                                                                                                                                                                                                                                                                                                                                                 |
|-----------------------------------------|---------------------------------------------------------------------------------------------------------------------------------------------------------------------------------------------------------------------------------------------------------------------------------------------------------|-------------------------------------------------------------------------------------------------------------------------------------------------------------------------------------------------------------------------------------------------------------------------------------------------------------------------------------------------------------------------------------------------------------------|
| Heating unit won't light                | <ol style="list-style-type: none"> <li>1. Igniter pin and burner are wet.</li> <li>2. Igniter battery is incorrectly inserted.</li> <li>3. Igniter pin is broken.</li> <li>4. Electrode wire is loose or disconnected.</li> <li>5. Electrode wire is shorting between valve and igniter pin.</li> </ol> | <ol style="list-style-type: none"> <li>1. Dry off with a soft cloth.</li> <li>2. Check which direction the battery is inserted.</li> <li>3. Contact the manufacturer for a replacement part.</li> <li>4. Reconnect wire to the igniter box located inside the unit behind the igniter box.</li> <li>5. Contact the manufacturer for a replacement part.</li> </ol>                                                |
| Burner won't light while using a match  | <ol style="list-style-type: none"> <li>1. No gas flow.</li> <li>2. Regulator isn't connected securely to the tank.</li> <li>3. Gas flow is obstructed.</li> <li>4. Burner ports are clogged.</li> </ol>                                                                                                 | <ol style="list-style-type: none"> <li>1. Check that the gas tank isn't empty.</li> <li>2. Tighten regulator connection to the gas tank.</li> <li>3. Check all hoses for kinks and bends.</li> <li>4. Turn all gas flow connections off. Insert an opened paperclip (or similar item) into each of the burner ports to clear them out.</li> </ol>                                                                 |
| Heating unit emits a lot of black smoke | <ol style="list-style-type: none"> <li>1. Flame is obstructed at burner ports.</li> <li>2. Regulator hose is kinked</li> </ol>                                                                                                                                                                          | <ol style="list-style-type: none"> <li>1. Check that all burner ports are free of any small lava rocks/pumice stones/LavaGlass<sup>®</sup> pieces.</li> <li>2. Straighten hose of all bends or kinks.</li> </ol>                                                                                                                                                                                                  |
| Sudden drop in gas flow                 | <ol style="list-style-type: none"> <li>1. No gas flow.</li> <li>2. Excess flow safety valve has been activated.</li> </ol>                                                                                                                                                                              | <ol style="list-style-type: none"> <li>1. Check that the gas tank isn't empty.</li> <li>2. Turn the control knob to the 'OFF' position. Close the tank valve and disconnect propane gas tank. Turn the control knob to 'HIGH'; wait 1 minute. Turn the control knob back to the 'OFF' position. Reconnect propane gas tank. Light the fire unit as indicated in the 'To Light' section of this manual.</li> </ol> |
| Flame blows out easily                  | <ol style="list-style-type: none"> <li>1. High or gusting winds.</li> <li>2. No gas flow.</li> <li>3. Excess flow safety valve has been activated.</li> </ol>                                                                                                                                           | <ol style="list-style-type: none"> <li>1. Increase flame to 'HIGH'.</li> <li>2. Check that the gas tank isn't empty.</li> <li>3. See 'sudden drop in gas flow' above</li> </ol>                                                                                                                                                                                                                                   |

## WARRANTY

This product has a one-year warranty against manufacturing defects in workmanship or materials.

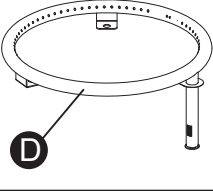
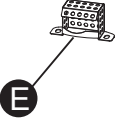
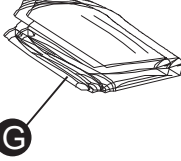
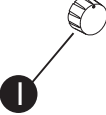
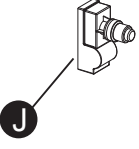
The manufacturer warranty will be voided by, and manufacturer disclaims any responsibility for, the following actions:


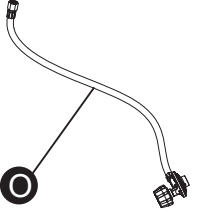
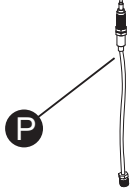
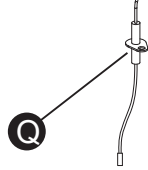
- Modification of the unit and/or components including the gas valve assembly.
- Use of any component part not manufactured or approved by the manufacturer.
- Use and installation other than what is listed in this manual.

Please contact the manufacturer for replacement parts.

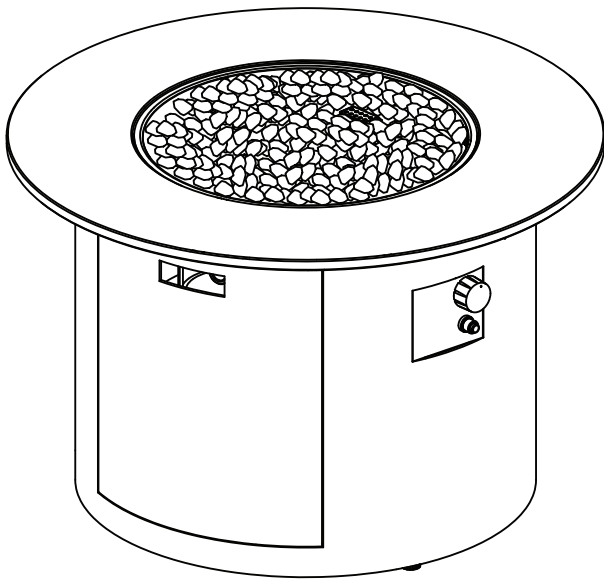
## REPLACEMENT PARTS LIST

For replacement parts, call our customer service department at 1-866-439-9800, 8 am - 8 pm, EST, Monday - Sunday. You could also contact us at [partsplus@lowes.com](mailto:partsplus@lowes.com) or visit [www.lowespartsplus.com](http://www.lowespartsplus.com).

| PART   | DESCRIPTION        |                                                                                     |
|--------|--------------------|-------------------------------------------------------------------------------------|
| Part D | Burner             |    |
| Part E | Guard              |    |
| Part G | Protective Cover   |   |
| Part I | Control Knob       |  |
| Part J | Electronic Igniter |  |

| PART   | DESCRIPTION  |                                                                                       |
|--------|--------------|---------------------------------------------------------------------------------------|
| Part N | Valve        |    |
| Part O | Regulator    |    |
| Part P | Thermocouple |   |
| Part Q | Ignition Pin |  |





**INSTALADOR:** Deje este manual junto al electrodoméstico.  
**CONSUMIDOR:** Conserve este manual para referencia futura.

### ⚠ ADVERTENCIA

La instalación, ajuste, alteración, reparación o mantenimiento inadecuados pueden producir daños de propiedad, lesiones personales, opérida de la vida. Consulte el manual de información del propietario que se incluye con este electrodoméstico. La instalación y servicio deben ser realizados por un instalador calificado, una agencia deservicio, o el proveedor de gas.

### ⚠ PELIGRO

#### PELIGRO DE INCENDIO O EXPLOSIÓN

Si percibe olor a gas:

- Cierre el suministro de gas al electrodoméstico.
  - Apague todas las llamas expuestas.
  - Si el olor persiste, abandone el área inmediatamente.
  - Después de salir del área, llame a su proveedor de gas o al Departamento de Bomberos.
- El incumplimiento de estas instrucciones podría provocar un incendio o una explosión que ocasionen daños materiales, lesiones personales o la muerte.

### ⚠ ADVERTENCIA

No almacene ni use gasolina ni otros vapores o líquidos inflamables cerca de este ni de ningún otro electrodoméstico. No se deben almacenar cilindros de gas PL que no estén conectados y en uso cerca de este ni de ningún otro electrodoméstico.

### ⚠ ADVERTENCIA

Solo para uso en exteriores. Un instalador calificado, una empresa de mantenimiento o el proveedor de gas deben realizar la instalación y reparación de este producto.

### ⚠ ADVERTENCIA

Si no se sigue con precisión la información de este manual, pueden provocarse incendios o explosiones que produzcan daños materiales, lesiones personales o la muerte.



### ⚠ PELIGRO



#### PELIGRO DE MONÓXIDO DE CARBONO

Este electrodoméstico puede producir monóxido de carbono, el cual es inodoro.

Usarlo en un espacio cerrado puede ser fatal.

Nunca use este electrodoméstico en un espacio cerrado como una caravana, una tienda de campaña, un automóvil o una casa.

### ADJUNTE SU RECIBO AQUÍ

Número de serie \_\_\_\_\_ Fecha de compra \_\_\_\_\_



**¿Preguntas, problemas o piezas faltantes?** Antes de volver a la tienda, llame a nuestro Departamento de Servicio al Cliente al 1-866-439-9800, de lunes a domingo de 8 a. m. a 8 p. m., hora estándar del Este. También puede ponerse en contacto con nosotros en [partsplus@lowes.com](mailto:partsplus@lowes.com) o visitar [www.lowespartsplus.com](http://www.lowespartsplus.com).

## INFORMACIÓN DE SEGURIDAD

---

Lea y comprenda por completo este manual antes de intentar ensamblar, usar o instalar el producto. No seguir los avisos de peligro, las advertencias y las precauciones de este manual del usuario podría provocar incendios o explosiones que causen daños materiales, lesiones personales graves o la muerte.



### ADVERTENCIA

- La instalación de esta unidad debe cumplir con los códigos locales o con el Código de almacenamiento y manipulación de propano, CSA B149.2.
- ESTA UNIDAD ESTÁ DISEÑADA ÚNICAMENTE PARA USO EN EXTERIORES. Este producto debe usarse en exteriores, en un espacio ventilado y no debe usarse en áreas cerradas.
- Esta unidad debe usarse únicamente con gas propano (se vende por separado).
- No conecte un suministro de gas remoto a esta unidad.
- Utilice únicamente gas propano para esta unidad.
- No se deben quemar combustibles sólidos en este electrodoméstico.
- Al encender esta unidad, manténgase alejado del quemador ya que la llama se encenderá y puede causar lesiones.
- ADVERTENCIA SOBRE EL GAS PL: no use rocas de lava, piedras pómez o vidrios LavaGlass® de más de 6,35 mm de profundidad sobre los orificios del quemador. Si lo hace, sofocará la llama.
- Si el tanque de gas propano tiene una fuga de gas, es posible que escuche, vea o perciba el olor de un silbido del gas. Haga lo siguiente: 1. Desconecte el tanque de gas propano. 2. No intente corregir usted mismo el problema. 3. Comuníquese con su proveedor de gas o con el Departamento de Bomberos para obtener ayuda.
- La aplicación de demasiado propano puede provocar una acumulación de gas sin quemar. Permita que entre aire fresco en la unidad para que se escape el gas restante.
- No utilice una llama para comprobar si hay fugas de gas.
- Presión en el tubo múltiple: 27,94 cm con cable (2,74 kPa).
- Utilice tanques de propano PL con las siguientes dimensiones: 30,48 cm de diámetro, 45,72 cm de altura y capacidad para 9,07 kg.
- Debe usar un tanque de propano que tenga un anillo para proteger la válvula para gas.
- No llene el tanque a más del 80 % de su capacidad.
- El sistema del tanque debe estar configurado para la extracción de vapor.
- Suspenda el uso si alguna pieza del tanque de propano está dañada. Un proveedor de gas debe inspeccionar las partes oxidadas y las abolladuras ya que podrían ser peligrosas.
- No queme otro material distinto de los que se proporcionan para esta mesa con fogón.
- Manténgase alejado de la unidad durante los primeros 20 minutos posteriores al encendido de la unidad por primera vez, ya que las rocas de lava, las piedras pómez o los vidrios LavaGlass® podrían saltar y provocar lesiones. Deseche las rocas que se salgan.
- Asegúrese siempre de que las rocas de lava, las piedras pómez o los vidrios LavaGlass® estén completamente secos antes de su uso. Si no lo hace, se agrietarán o estallarán.
- No opere la unidad hasta que todas las piezas estén completamente ensambladas.
- No pinte ni coloree ninguna pieza de esta unidad de calefacción.
- La unidad puede estar caliente mientras se usa, por lo tanto, no intente moverla.
- Nunca deje esta unidad de calefacción desatendida mientras esté en uso.
- Esta unidad no está diseñada para cocinar.
- Mantenga alejados los artículos inflamables y no utilice ninguna otra cubierta de chimenea para esta unidad.
- Mantenga una distancia segura para evitar quemarse la piel o la ropa.
- No se siente ni apoye las manos o los pies sobre esta unidad de calefacción.
- Nunca coloque las manos o los dedos en la parte superior de esta unidad mientras esté en uso.
- Mantenga todos los cables eléctricos y la manguera de suministro de combustible alejados de las superficies calientes.
- Se debe quitar la tapa cuando el quemador está en funcionamiento.

## INFORMACIÓN DE SEGURIDAD

---

- El material combustible no debe estar a 152,4 cm de la parte superior de la unidad ni a 121,92 cm alrededor de toda la unidad.
- Mantenga el área del electrodoméstico despejada y libre de materiales combustibles, gasolina y otros vapores y líquidos inflamables.
- Si la llama se apaga durante el funcionamiento, cierre la válvula del gas. Espere 5 minutos antes de repetir el procedimiento de encendido inicial. Una vez que haya encendido una llama, mantenga presionada la perilla de control durante 1 minuto.
- No vierta agua en la unidad.
- No opere la unidad si alguna de sus piezas estuvo sumergida en agua. Llame de inmediato a un técnico de servicio calificado para que inspeccione el electrodoméstico y reemplace cualquier pieza del sistema de control y cualquier control de gas que haya estado sumergido en agua.
- No desconecte ninguna pieza mientras la unidad esté en uso.
- No almacene un tanque de propano de repuesto en la unidad o cerca de ella.
- Si la unidad de calefacción está en interiores, separe el tanque de propano y déjelo al aire libre.
- No opere la unidad en un barco o en un vehículo. Esta unidad debe usarse ÚNICAMENTE sobre una superficie plana al aire libre.
- Siempre retire la cubierta protectora antes de operarla (si corresponde).
- No coloque la cubierta protectora sobre la unidad hasta que esté apagada y se haya enfriado por completo.
- Verifique que no haya fugas después de no usar la unidad durante largos períodos de tiempo.
- **Los niños nunca deben operar esta unidad. Vigile a los niños cuando se encuentren cerca de esta unidad.**
- Mantenga el tanque de gas a 1,52 m de distancia de la unidad, como mínimo, cuando esté encendido (si es un tanque externo).
- Suministro máximo de gas: 250 psi; suministro mínimo de gas: 10 psi.
- **Un profesional calificado debe realizar toda la instalación y reparación. Esta unidad debe inspeccionarse anualmente y limpiarse con regularidad.**
- Inspeccione todos los quemadores de esta unidad de calefacción antes de cada uso. Si encuentra daños, deberá reemplazar el quemador.
- Mantenga la manguera fuera de cualquier camino para eliminar cualquier daño accidental (si es un tanque externo).
- Sea consciente de los peligros de las altas temperaturas y manténgase alejado de la unidad para evitar quemaduras o lesiones.
- El tanque de suministro de gas debe estar construido y marcado con las especificaciones para los tanques de gas PL del Departamento de Transporte de EE. UU. o la Ley Nacional de Canadá CAN/CSA-B339, tanques, esferas y tubos de gas PL para el transporte de mercancías peligrosas y la comisión.
- El tanque de gas PL debe tener un dispositivo de prevención de sobrellenado homologado y una conexión de tanque de gas PL QCCI o Tipo I, (CGA791).
- Este electrodoméstico de calefacción no debe usarse sobre cubiertas de plástico o madera artificial.
- **Los niños y adultos deben estar alerta a los peligros de las altas temperaturas de la superficie y deben mantenerse alejados para evitar quemaduras o incendio de la ropa.**
- **Es necesario supervisar cuidadosamente a los niños pequeños cuando se encuentren en el área del electrodoméstico.**
- **No se debe colgar ropa u otros materiales inflamables sobre o cerca del electrodoméstico.**
- **Cualquier protector u otro dispositivo de protección que se haya quitado para reparar el electrodoméstico deberá reemplazarse antes de ponerlo en funcionamiento.**
- **Una persona calificada debe realizar la instalación y la reparación. Antes de su uso, es necesario inspeccionar el electrodoméstico y al menos una vez al año debe inspeccionarlo una persona calificada. Es posible que se requiera una limpieza más frecuente, según sea necesario. Es esencial que el compartimento de control, los quemadores y las vías respiratorias de circulación del electrodoméstico se mantengan limpios.**

### SI CORRESPONDE:

- Permita que el artículo de calefacción se enfríe completamente antes de colocar la tapa.
- NO use un artículo de calefacción mientras la tapa está colocada. Siempre retire la tapa cuando el artículo de calefacción esté encendido.

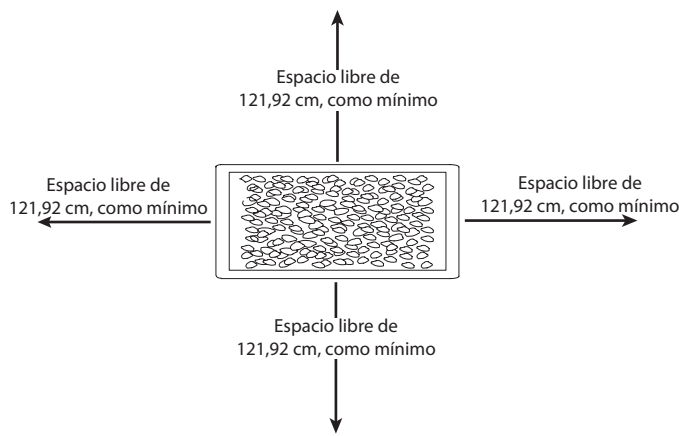
## INFORMACIÓN DE SEGURIDAD

---

Use solamente el ensamblaje del regulador y la manguera incluidos con esta unidad. El fabricante debe suministrar directamente las piezas de repuesto.

Inspeccione el quemador antes de usar esta unidad. Si el quemador presenta algún tipo de daño, no haga funcionar el electrodoméstico. Para obtener ayuda con la reparación o el reemplazo del quemador o de cualquier otra pieza, llame a nuestro Departamento de Servicio al Cliente al 1-866-439-9800.

**AVISO: debe seguir todos los pasos para ensamblar adecuadamente este artículo de calefacción. Asegúrese de que la válvula de gas esté cerrada antes del ensamblaje. NO intente ensamblar sin las herramientas adecuadas.**

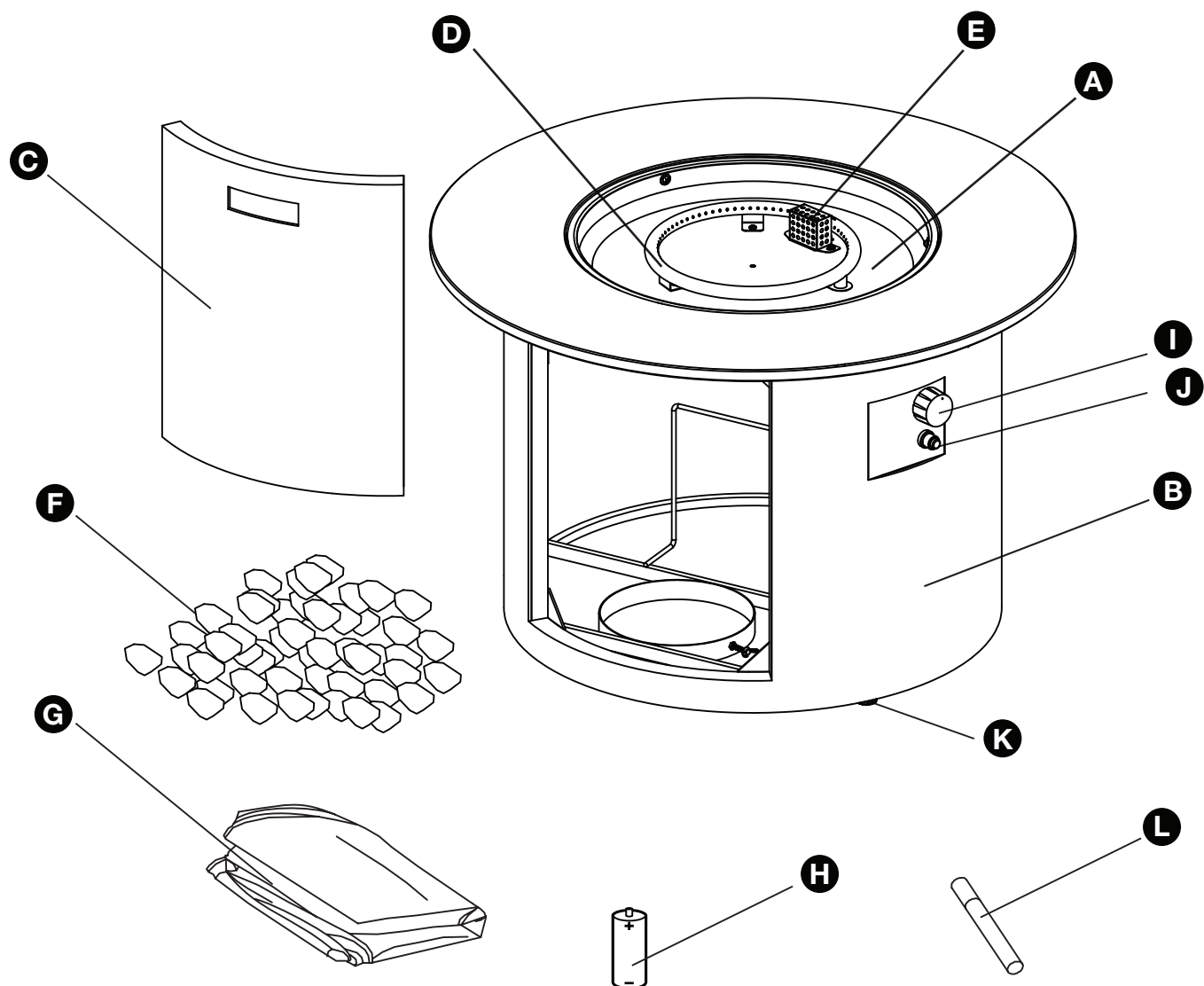


**Los materiales combustibles no deben estar a menos de 152,4 cm de la parte superior de la unidad o a menos de 121,92 cm alrededor de toda la unidad.**

### PELIGRO

Coloque siempre esta mesa de fuego para exteriores en una superficie firme, nivelada y no combustible como hormigón, roca o piedra.

## CONTENIDO DEL PAQUETE



| PIEZA | DESCRIPCIÓN                            | CANTIDAD |
|-------|----------------------------------------|----------|
| A     | Fogón                                  | 1        |
| B     | Cuerpo                                 | 1        |
| C     | Puerta                                 | 1        |
| D     | Quemador (preensamblado)               | 1        |
| E     | Protector (preensamblado)              | 1        |
| F     | Rocas de lava                          | 2 bolsas |
| G     | Cubierta protectora                    | 1        |
| H     | Batería (AAA)                          | 1        |
| I     | Perilla de control (preensamblada)     | 1        |
| J     | Encendedor electrónico (preensamblado) | 1        |
| K     | Base (preensamblada)                   | 3        |
| L     | Aplicador de retoque                   | 1        |

## PREPARACIÓN

---

Antes de comenzar a ensamblar el producto, asegúrese de tener todas las piezas. Compare las piezas con la lista del contenido del paquete y la lista del contenido de aditamentos. No intente ensamblar el producto si faltan piezas o si estas están dañadas.

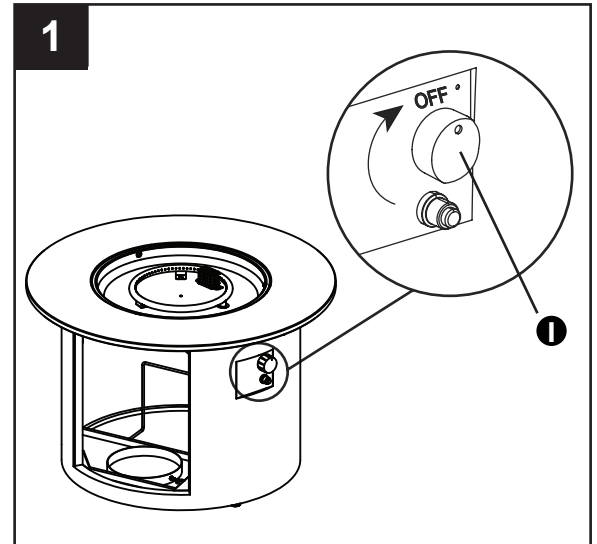
**Tiempo estimado de ensamblaje:** 10 minutos

No se necesitan herramientas.

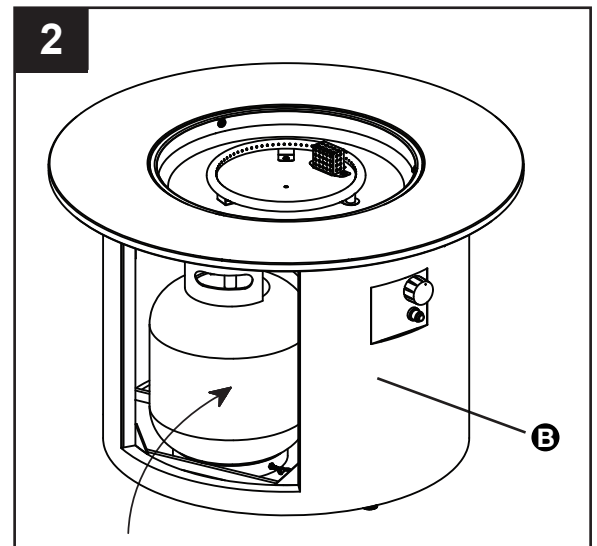
**NOTA:** debe seguir todos los pasos para ensamblar adecuadamente la unidad de calefacción. Asegúrese de que la válvula de gas esté cerrada antes del ensamblaje. NO intente ensamblar sin las herramientas adecuadas.

## INSTRUCCIONES DE ENSAMBLAJE

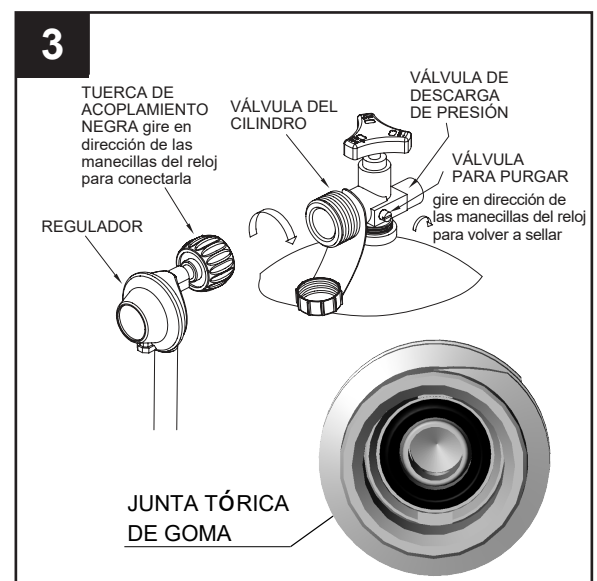
1. Verifique que la perilla de control (I) del sistema para el suministro de gas esté en la posición "OFF" (apagado) antes de comenzar cualquier ensamblaje.



2. Retire la puerta del cuerpo (B) y coloque el tanque de gas propano (no se incluye) en la base de metal del cuerpo (B).



3. Gire la válvula del cilindro del tanque en dirección de las manecillas del reloj para cerrar el tanque de propano. Gire la tuerca de acoplamiento en dirección de las manecillas del reloj para conectar el regulador previamente ensamblado del cuerpo (B) a la válvula del cilindro. Asegúrese de que esté bien sujeto y apriete las conexiones con la mano solamente.

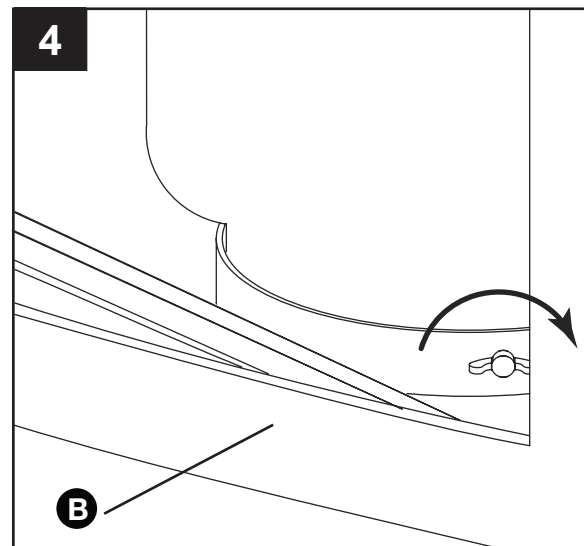


### **⚠ ADVERTENCIA**

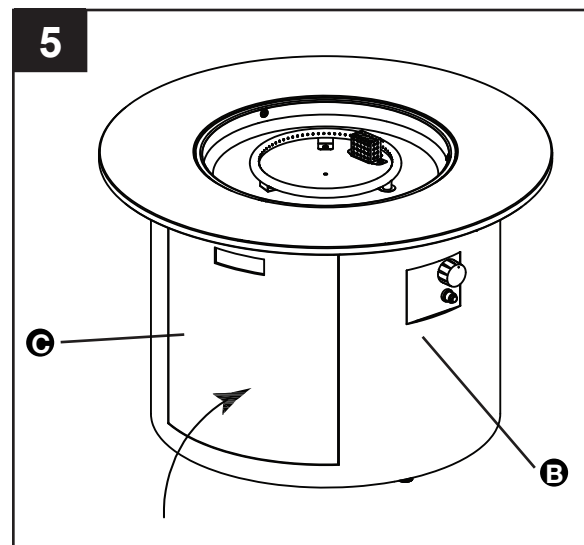
Inspeccione la junta tórica de goma de la válvula del depósito de propano para asegurarse de que no está desgastada antes de fijar el regulador. Una junta tórica de goma desgastada provoca fugas, explosiones y lesiones graves por el depósito de propano.

## INSTRUCCIONES DE ENSAMBLAJE

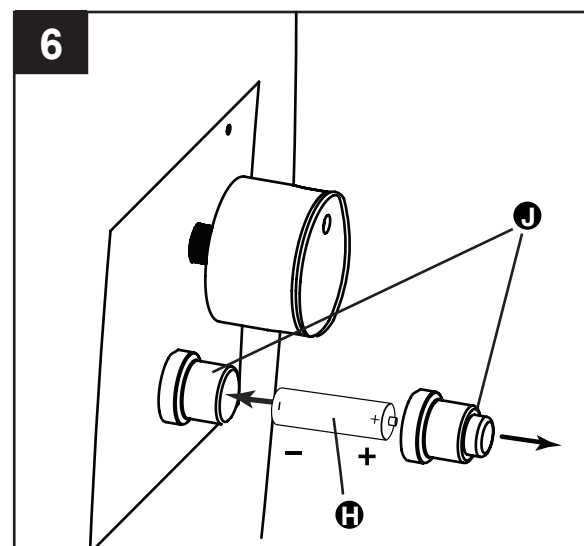
4. Luego de conectar el tanque al regulador, asegúrese de que el tanque de gas propano esté completamente apoyado sobre la base de metal dentro del cuerpo (B). Gire el tornillo de mariposa previamente ensamblado en la pieza exterior de la base de metal en dirección de las manecillas del reloj para asegurar de forma firme el tanque de gas propano.



5. Vuelva a colocar la puerta (C) sobre el cuerpo (B).



6. Retire la tapa de goma del encendedor electrónico (J) desenroscando y deslizando la batería (H) en la ranura de la batería. Asegúrese de que el lado positivo de la batería mire hacia afuera. Enrosque firmemente la tapa del encendedor electrónico (J) sobre la batería.



## INSTRUCCIONES DE ENSAMBLAJE

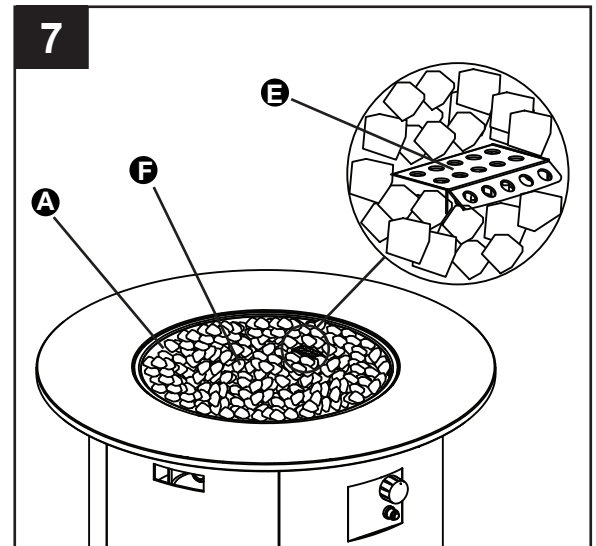
7. Vierta rocas de lava (F) en la chimenea (A).

### ADVERTENCIA

Para garantizar un funcionamiento adecuado, el protector (E) de este quemador (D) debe estar libre de rocas de lava en todo momento.

Manténgase alejado de la unidad y permita que permanezca encendida durante 20 minutos en el primer uso.

Asegúrese siempre de que las rocas de lava, las piedras pómez o los vidrios LavaGlass® estén completamente secos antes de su uso. No hacerlo podría provocar que se quiebren o salten.

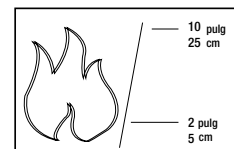


## INSTRUCCIONES DE FUNCIONAMIENTO

Antes de realizar una prueba de fugas, asegúrese de que no se produzcan chispas y de que se encuentre en un área exterior espaciosa. Conecte el tanque de gas propano al regulador y gire la válvula de la unidad a la posición "OFF" (apagado). Aplique con una brocha una mezcla de agua y jabón en todas las conexiones. Encienda el suministro de gas; si se forman burbujas en cualquier conexión, puede haber una fuga. **Si percibe olor a gas o si descubre una fuga, cierre la válvula para gas, desconecte el tanque de gas propano y no use el electrodoméstico hasta que se haya reparado la fuga.**

No utilice la unidad de calefacción sin inspeccionar la manguera de gas. Si encuentra signos de desgaste o abrasión, debe reemplazar la manguera (si corresponde). Las piedras pómez, las rocas de lava o los vidrios LavaGlass® podrían saltar y golpear en la cara a alguien durante el proceso de encendido de esta unidad; manténgase alejado de la unidad durante los primeros 20 minutos después de encenderla. La llama debe ser de un color azul/amarillo y tener entre 5,08 cm y 25,4 cm de altura.

Espere 50 minutos después de apagar la llama antes de colocar una tapa (si corresponde) o una cubierta protectora sobre el artículo de calefacción.

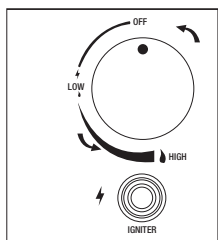


### Para encenderlo

1. Asegúrese de que la perilla de control (I) esté en la posición "OFF" (apagado).
2. Quite la puerta (C) y gire la perilla en dirección contraria a las manecillas del reloj para abrir lentamente la válvula en el tanque de gas propano.
3. Vuelva a colocar la puerta (C) en el cuerpo (B).
4. Mantenga presionado el encendedor eléctrico (J) para provocar chispas dentro del electrodo; continúe presionando.
5. Presione la perilla de control (I) y gire hasta la posición "LOW" (bajo). Mantenga presionada la perilla de control (I) para permitir el ingreso de gas durante 15 segundos.
6. Si el encendido no se produce dentro de algunos segundos, suelte la perilla de control (I) y gire a la posición "OFF" (apagado). Espere 5 minutos a que se disipe el gas y repita las instrucciones de encendido anteriores.
7. Una vez que el producto está encendido, puede controlar la intensidad de la llama con la perilla de control (I) entre las posiciones "LOW" (bajo) y "HIGH" (alto).

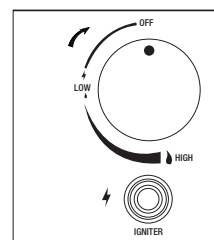
### Para extinguir las llamas

1. Gire la perilla de control (I) en dirección de las manecillas del reloj a la posición "LOW" (bajo); deje que la perilla se eleve y continúe girando la perilla de control (I) a la posición "OFF" (apagado).
2. Cierre la válvula del cilindro en el tanque de gas propano si no tiene previsto usarlo durante un tiempo prolongado.



### AVERTENCIA

Si el quemador no se enciende con la válvula abierta, el gas sigue fluyendo del quemador y puede encenderse por casualidad con riesgo de heridas o daños a la propiedad.



## CUIDADO Y MANTENIMIENTO

- Antes de realizar cualquier mantenimiento, siempre desconecte el tanque de gas propano.
- **Guarde su producto en interiores durante los meses de invierno. No exponer el producto a temperaturas extremadamente frías evitará daños por exposición.**
- Mantenga el artículo de calefacción libre y despejado de materiales combustibles.
- Inspeccione visualmente el quemador en busca de obstrucciones y mantenga la estructura del tanque despejada y sin escombros.
- Utilice un cepillo suave para eliminar las manchas leves, la tierra y la suciedad sueltas después de que el quemador y las piedras pómez, las rocas de lava o los vidrios LavaGlass® se hayan enfriado por completo. Limpiar con un paño suave.
- Las condiciones climáticas adversas pueden causar manchas rebeldes, decoloración y posiblemente picaduras de óxido.
- Pueden ocurrir daños permanentes si el polvo o el solvente entran en contacto con componentes pintados o plásticos en esta unidad de calefacción.
- Mantenga la unidad de calefacción guardada lejos de la luz solar directa.
- Si almacena esta unidad en el interior, desconecte el tanque de gas propano de la válvula para gas.
- No utilizar accesorios o piezas de repuesto aprobados o suministrados por el fabricante puede resultar en una condición defectuosa y anular la garantía de esta unidad de calefacción.
- Siempre coloque la tapa (si corresponde) o la cubierta protectora sobre el artículo de calefacción cuando no esté en uso.

### Cuidado de las superficies Envirostone®

Nuestro material Envirostone® está sellado con un tratamiento patentado que evita las manchas y la absorción de humedad, pero necesita de un mantenimiento adecuado para garantizar la integridad de la superficie. Consulte las recomendaciones de mantenimiento que se encuentran a continuación para saber cómo disfrutar de su superficie Envirostone® durante años:

- Limpie cualquier derrame inmediatamente para evitar manchas o daños permanentes en la superficie Envirostone®. Seque cualquier derrame de líquido con un paño limpio y seco para evitar que el derrame se extienda al resto de la mesa. Limpie la superficie de Envirostone® con una esponja o un paño suave y limpio. Mezcle una solución de agua limpia tibia y jabón para platos suave para eliminar la suciedad de la superficie o los derrames leves. Enjuague toda la solución de jabón de la mesa y séquela completamente para evitar manchas de agua. La limpieza frecuente de la superficie Envirostone® ayudará a que el producto dure más.
- No utilice productos de limpieza abrasivos o a base de petróleo. No utilice brochas ásperas cuando limpie la superficie Envirostone®.
- No deslice productos sobre la superficie de Envirostone® porque podría provocar rayones y daños permanentes.
- Siempre use tapetes protectores como posavasos o manteles individuales cuando coma sobre una superficie Envirostone®. Estos productos protectores ayudarán a absorber el sudor de bebidas frías y evitarán que los anillos de calor aparezcan debajo de una taza o de un plato caliente. Cuando coloque platos calientes sobre una superficie Envirostone®, siempre use tapetes o almohadillas resistentes al calor.
- La superficie de Envirostone® debe estar cubierta en todo momento cuando no esté en uso. Cubra el producto con una cubierta para muebles de exterior cuando no esté en uso para protegerlo de los factores climáticos. Guarde su producto en interiores durante los meses de invierno. No exponer el producto a temperaturas extremadamente frías evitará que se agriete la superficie de la mesa.



**Limpie los derrames de inmediato**



**Use posavasos**



**Sin productos químicos fuertes**



**Protéjalo contra el clima**

## SOLUCIÓN DE PROBLEMAS

| PROBLEMA                                              | CAUSA POSIBLE                                                                                                                                                                                                                                                                                                                                                                                             | ACCIÓN CORRECTIVA                                                                                                                                                                                                                                                                                                                                                                                                                                                                                            |
|-------------------------------------------------------|-----------------------------------------------------------------------------------------------------------------------------------------------------------------------------------------------------------------------------------------------------------------------------------------------------------------------------------------------------------------------------------------------------------|--------------------------------------------------------------------------------------------------------------------------------------------------------------------------------------------------------------------------------------------------------------------------------------------------------------------------------------------------------------------------------------------------------------------------------------------------------------------------------------------------------------|
| La unidad de calefacción no enciende                  | <ol style="list-style-type: none"> <li>1. La clavija del encendedor y el quemador están mojados.</li> <li>2. La batería del encendedor está colocada de manera incorrecta.</li> <li>3. La clavija del encendedor está rota.</li> <li>4. El cable del electrodo está suelto o desconectado.</li> <li>5. El cable del electrodo hace cortocircuito entre la válvula y la clavija del encendedor.</li> </ol> | <ol style="list-style-type: none"> <li>1. Seque con un paño suave.</li> <li>2. Compruebe en qué dirección está colocada la batería.</li> <li>3. Póngase en contacto con el fabricante para obtener una pieza de repuesto.</li> <li>4. Vuelva a conectar el cable a la caja del encendedor, ubicada dentro de la unidad, detrás de la caja del encendedor.</li> <li>5. Póngase en contacto con el fabricante para obtener una pieza de repuesto.</li> </ol>                                                   |
| El quemador no enciende con un fósforo                | <ol style="list-style-type: none"> <li>1. No hay flujo de gas.</li> <li>2. El regulador no está conectado al tanque de forma segura.</li> <li>3. El flujo de gas está obstruido.</li> <li>4. Los orificios de los quemadores están obstruidos.</li> </ol>                                                                                                                                                 | <ol style="list-style-type: none"> <li>1. Verifique que el tanque de gas no esté vacío.</li> <li>2. Apriete la conexión del regulador al tanque de gas.</li> <li>3. Revise todas las mangueras en busca de torceduras y dobleces.</li> <li>4. Cierre todas las conexiones de paso de gas. Coloque un clip para papel abierto (u otro artículo parecido) en cada uno de los orificios de los quemadores para quitar las obstrucciones.</li> </ol>                                                             |
| La unidad de calefacción emite mucho humo negro       | <ol style="list-style-type: none"> <li>1. La llama está obstruida en los orificios del quemador.</li> <li>2. La manguera del regulador está torcida.</li> </ol>                                                                                                                                                                                                                                           | <ol style="list-style-type: none"> <li>1. Compruebe que todos los orificios del quemador no tengan rocas de lava, piedras pómez o piezas de vidrio LavaGlass® pequeños.</li> <li>2. Enderece la manguera de todos en los dobleces o torceduras.</li> </ol>                                                                                                                                                                                                                                                   |
| Se produjo una disminución repentina del flujo de gas | <ol style="list-style-type: none"> <li>1. No hay flujo de gas.</li> <li>2. Se activó la válvula de seguridad de exceso de flujo.</li> </ol>                                                                                                                                                                                                                                                               | <ol style="list-style-type: none"> <li>1. Verifique que el tanque de gas no esté vacío.</li> <li>2. Gire la perilla de control a la posición "OFF" (apagado). Cierre la válvula del tanque y desconecte el tanque de gas propano. Gire la perilla de control a "HIGH" (alto); espere 1 minuto. Gire la perilla de control nuevamente a la posición "OFF" (apagado). Vuelva a conectar el tanque de gas propano. Encienda la unidad como se indica en la sección "Para encenderlo" de este manual.</li> </ol> |
| La llama se apaga con facilidad                       | <ol style="list-style-type: none"> <li>1. Hay viento fuerte o ráfagas de viento.</li> <li>2. No hay flujo de gas.</li> <li>3. Se activó la válvula de seguridad de exceso de flujo.</li> </ol>                                                                                                                                                                                                            | <ol style="list-style-type: none"> <li>1. Aumente la llama a "HIGH" (alto).</li> <li>2. Verifique que el tanque de gas no esté vacío.</li> <li>3. Consulte la sección anterior "Se produjo una disminución repentina del flujo de gas".</li> </ol>                                                                                                                                                                                                                                                           |

## GARANTÍA

Este producto tiene una garantía de un año contra defectos de fabricación relacionados con la mano de obra o con los materiales.

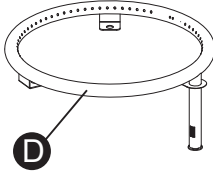
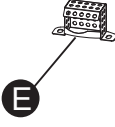
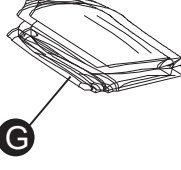
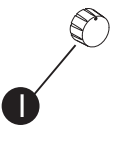
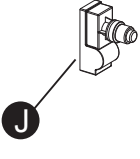
La garantía del fabricante quedará anulada y el fabricante renuncia a toda responsabilidad por las siguientes acciones:


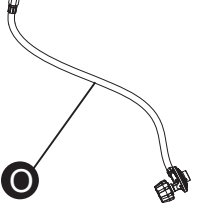
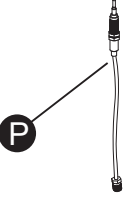
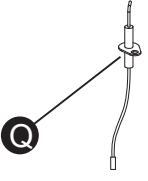
- Alteración de la unidad o de los componentes, entre otros, el ensamblaje de la válvula para gas.
- Uso de cualquier componente no fabricado o aprobado por el fabricante.
- Uso e instalación de manera distinta a como se muestra en este manual.

Comuníquese con el fabricante para obtener piezas de repuesto.

## LISTA DE PIEZAS DE REPUESTO

Para obtener piezas de repuesto, llame a nuestro Departamento de Servicio al Cliente al 1-866-439-9800, de lunes a domingo, de 8 a. m. a 8 p. m., hora estándar del Este. También puede ponerse en contacto con nosotros en [partsplus@lowes.com](mailto:partsplus@lowes.com) o visitar [www.lowespartsplus.com](http://www.lowespartsplus.com).

| PIEZA   | DESCRIPCIÓN            |                                                                                     |
|---------|------------------------|-------------------------------------------------------------------------------------|
| Pieza D | Quemador               |    |
| Pieza E | Protector              |    |
| Pieza G | Cubierta protectora    |   |
| Pieza I | Perilla de control     |  |
| Pieza J | Encendedor electrónico |  |

| PIEZA   | DESCRIPCIÓN          |                                                                                       |
|---------|----------------------|---------------------------------------------------------------------------------------|
| Pieza N | Válvula              |    |
| Pieza O | Regulador            |    |
| Pieza P | Termopar             |   |
| Pieza Q | Pasador de encendido |  |