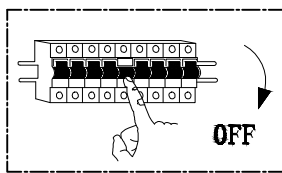
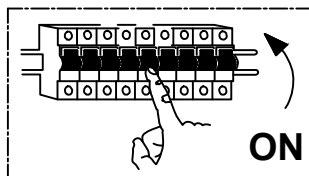
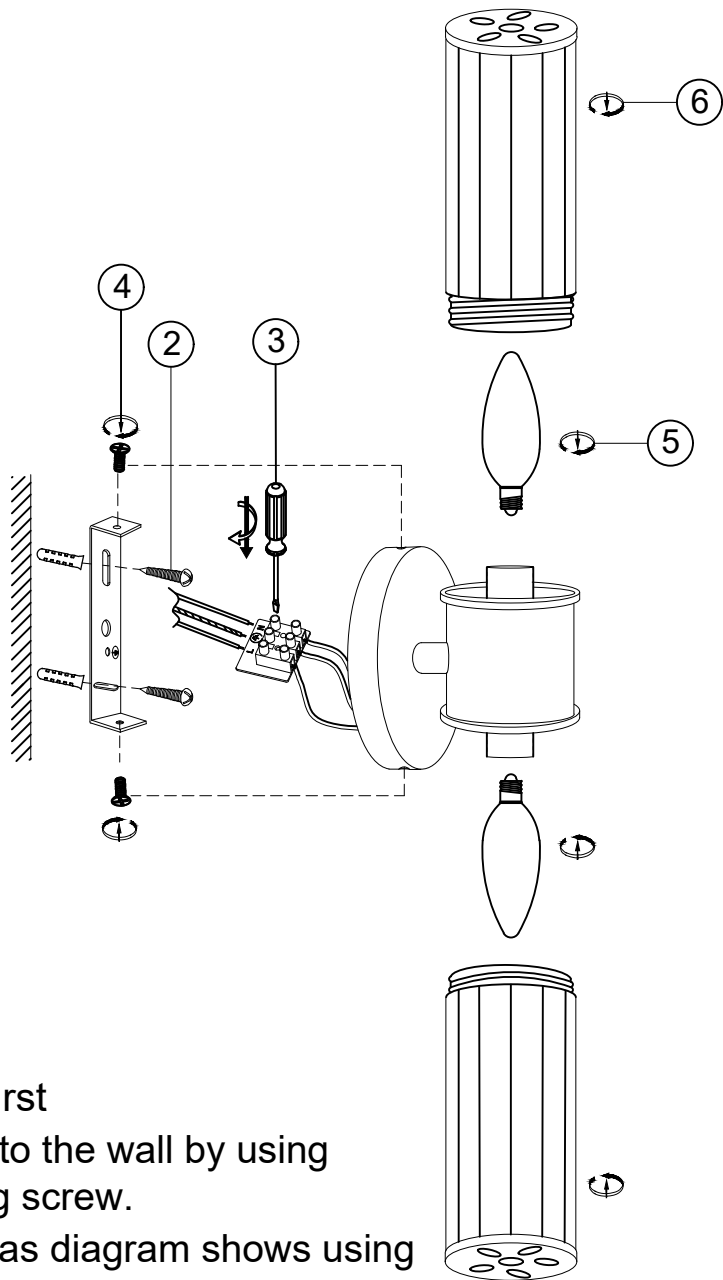


8005WL-02CP-US



①



⑦

- 1 : Please turn off the power first
- 2: Attach the mounting bracket to the wall by using anchoring and fix it by tapping screw.
- 3: Connect all the wiring L/N/G as diagram shows using plastic connector supplied.
- 4: Attach the wall plate to the mounting bracket and screw it using mounting screw supplied on fitting.
- 5: Install the light bulb (E12 socket)
- 6: Put the lamp shade into the cup-holder.
- 7 : Turn on the power switch and test the brightness

CE RoHS