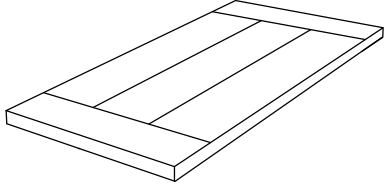
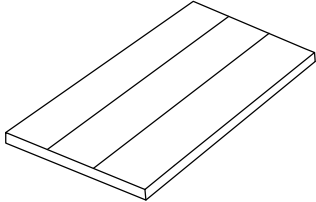
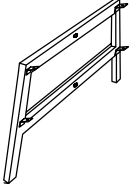



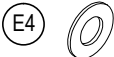



## ASSEMBLY INSTRUCTIONS

**ITEM # : 70052-47-01 END TABLE**

## TABLE PARTS & HARDWARE LIST

 <p>(A) TABLE TOP x 1</p>	 <p>(B1) SHELFx1</p>	 <p>(C) LEGS x 2</p>
 <p>(E1) ALLEN BOLT x 8 (Ø1/4" *15 MM)</p>	 <p>(E2) ALLEN BOLT x 4 (Ø1/4" *55 MM)</p>	
 <p>(E3) SPRING WASHER x 12 (Ø1/4")</p>	 <p>(E4) FLAT WASHER x 12 (Ø1/4"*Ø16mm)</p>	 <p>(E5) ALLEN KEY x 1 (M4)</p>

Customer Service Contact Information:  
Toll Free Phone Number: 1-844-771-2727  
Email: [consumercare@lanefurniture.com](mailto:consumercare@lanefurniture.com)  
Website: [www.lanefurniture.com](http://www.lanefurniture.com)

NOTES :

1. CHECK CAREFULLY FOR SMALL PARTS WHICH MAY COME LOOSE DURING SHIPMENT.
2. REMOVE ALL COMPONENTS FROM THE PACK AND PLACE ON A CLEAN, SOFT SURFACE TO ASSEMBLE.
3. UNITS SHOULD BE ASSEMBLED BY TWO OR MORE PEOPLE.
4. DO NOT OVER - TIGHTEN SCREW/ BOLTS UNTIL ASSEMBLY IS COMPLETED.
5. WITH USE, SCREW/ BOLT MAY BE COME LOOSE & MUST BE TIGHTENED PERIODICALLY.



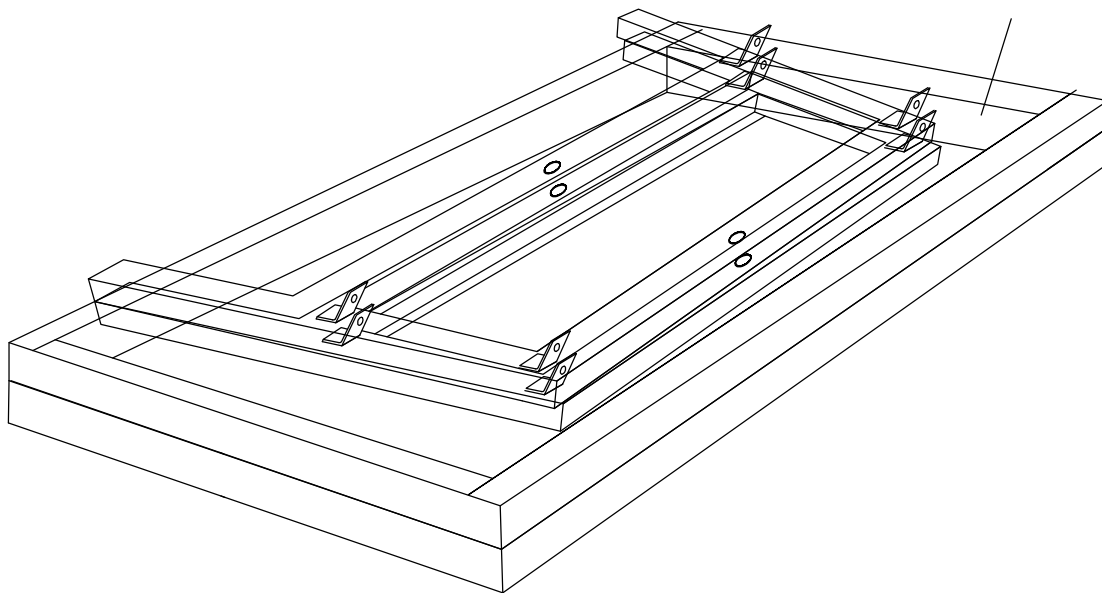
---

---

## TABLE PARTS & HARDWARE LIST



### HARDWARE PACK



---

Customer Service Contact Information:

Toll Free Phone Number: 1-844-771-2727

Email: [consumercare@lanefurniture.com](mailto:consumercare@lanefurniture.com)

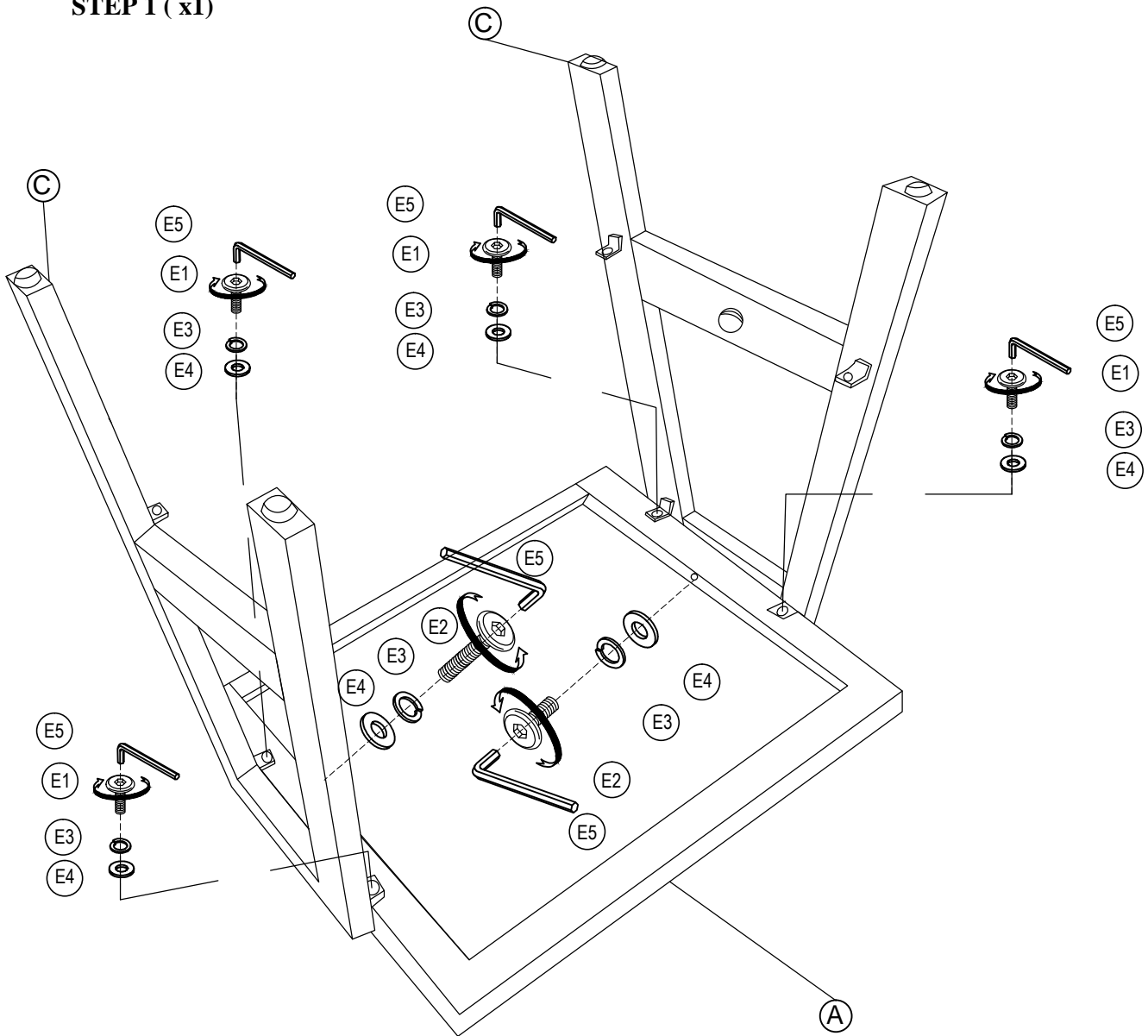
Website: [www.lanefurniture.com](http://www.lanefurniture.com)

NOTES :

1. CHECK CAREFULLY FOR SMALL PARTS WHICH MAY COME LOOSE DURING SHIPMENT.
2. REMOVE ALL COMPONENTS FROM THE PACK AND PLACE ON A CLEAN, SOFT SURFACE TO ASSEMBLE.
3. UNITS SHOULD BE ASSEMBLED BY TWO OR MORE PEOPLE.
4. DO NOT OVER - TIGHTEN SCREW/ BOLTS UNTIL ASSEMBLY IS COMPLETED.
5. WITH USE, SCREW/ BOLT MAY BE COME LOOSE & MUST BE TIGHTENED PERIODICALLY.



STEP 1 ( x1)



**STEP 2 ( x1)**

