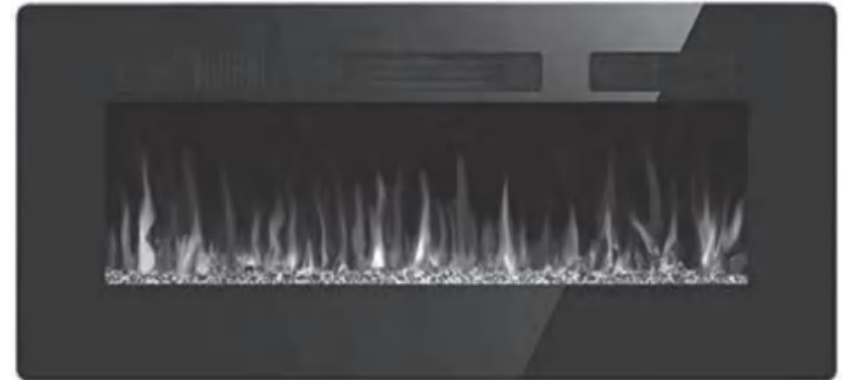




Before You Start

- ⚠ Please read all instructions carefully.
- ⚠ Retain instructions for future reference.
- ⚠ Separate and count all parts and hardware.
- ⚠ Read through each step carefully and follow the proper order.
- ⚠ We recommend that, where possible, all items are assembled near to the area in which they will be placed in use, to avoid moving the product unnecessarily once assembled.
- ⚠ Always place the product on a flat, steady and stable surface.
- ⚠ Keep all small parts and packaging materials for this product away from babies and children as they potentially pose a serious choking hazard.



NO VENTING REQUIRED

WARNING

Read and understand this entire owner's manual, including all safety information before plugging in or using this appliance. Failure to do so could result in fire, electric shock, or serious personal injury.

CERTIFIED UNDER CANADIAN AND
AMERICAN NATIONAL STANDARDS: ETL



IMPORTANT SAFETY INSTRUCTION



WARNING

These instructions should be carefully read before installation. The booklet must be kept and delivered to the new user. The Manufacturer reserves the right to vary the features of the product without prior notice. The technical data are indicative only.

1. THIS APPLIANCE IS HOT WHEN OPERATED AND CAN CAUSE SEVERE BURNS IF TOUCHED.

2. Do not operate appliance before reading and understanding instructions. Failure to operate appliance could cause fire or injury.
3. Keep this product away from combustible materials at least 3 feet (0.9 m), such as furniture, pillows, bedding, papers, clothes and curtains at least 3 feet (0.9 m). **WARNING:** In order to avoid overheating, do not cover the heater. The space may be inadequate when installed in a Recreational Vehicle.
4. Risk of burns. Please do not touch the appliance directly after use and cooling it for a while. Please turn off the control and then remove plug if you want disconnect power of appliance.
5. Do not install damaged or incomplete components.
6. Young children should be carefully supervised when they are in the same room with the appliance. They may be susceptible to accidental contact burns.
7. Do not install damaged, incomplete or substitute components.
8. To prevent accidental swallowing, small kits should be kept away from children and infants.
9. There is small batteries in the remote. Please keep away from children.

10. Do not install battery in the wrong direction, put it close to fire or mix with other type of batteries.
11. Ensure you have adequate safety measures to protect infants/toddlers from touching hot surfaces.
12. It is imperative that the control compartments, circulating blower and ventilation channel in the appliance are kept clean. The appliance should be inspected before use and examined by a qualified service person once a year.
13. Under no circumstances should this appliance be modified.
14. Do not use this appliance if any part has been in contact with water. Please call a qualified service technician to inspect the appliance immediately and to replace the parts which has been in contact with water.
15. Do not operate the appliance when the glass door was removed, cracked or broken. Replacement of the glass service should be done by a qualified service person.
16. Do not strike the glass door of appliance.
17. Keep the packaging material away from children and dispose of the materials in a safe manner.
18. Always unplug appliance when not in use.
19. Do not operate this appliance with a damaged cord or plug after the appliance malfunctions, please return appliance to authorized service facility for electrical or mechanical adjustment, or repair.
20. Do not use appliance outdoors.
21. Never place appliance where it may fall into a bathtub or other water container.
22. Do not run cord under carpet. Do not cover cord with throw rugs, furniture etc. Place cord away from cluttered area and where it will not be tripped over.
23. Connect to properly grounded outlets only.

24. Do not insert or allow foreign objects to enter any ventilation or exhaust valve as this may cause an electric shock or fire, or damage the appliance.

25. To prevent fire cases, do not block the air intake or exhaust valve in any way. Do not use appliance on soft surfaces, such as carpet, where exhaust valve may become blocked.

26. Always plug appliances directly into a wall outlet/receptacle. Do not use extension cord or relocatable power tap (outlet/power strip).

SAVE THESE INSTRUCTIONS

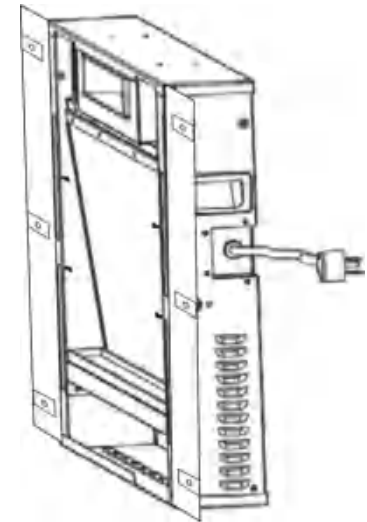
1. PACKING LIST

No.	Description	Quantity
1	Front Frame	1 pc
2	Electric Fireplace	1 pc
3	Back hook(Pre-attached)	36D、42D、50D (2 pcs) 60D、68D、72D (4 pcs)
4	Manual	1 pc
5	Decorative Stuff	Varies
6	Remote Control (without battery)	1 pc
7	Bumper bracket	36D、42D、50D (1 pc) 60D、68D、72D (2 pcs)



Style A

①



②



③



④



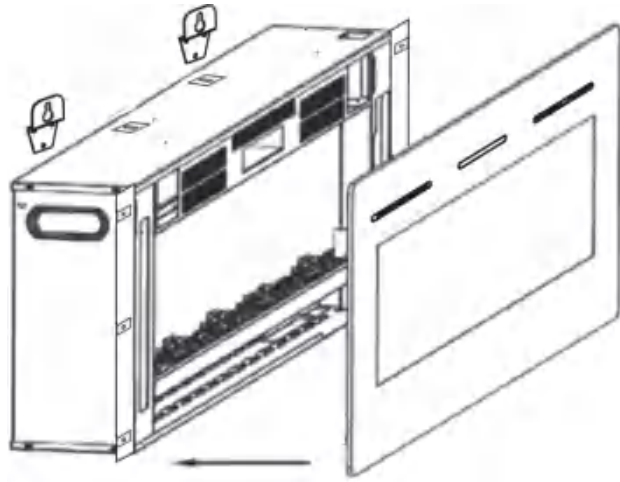
⑤



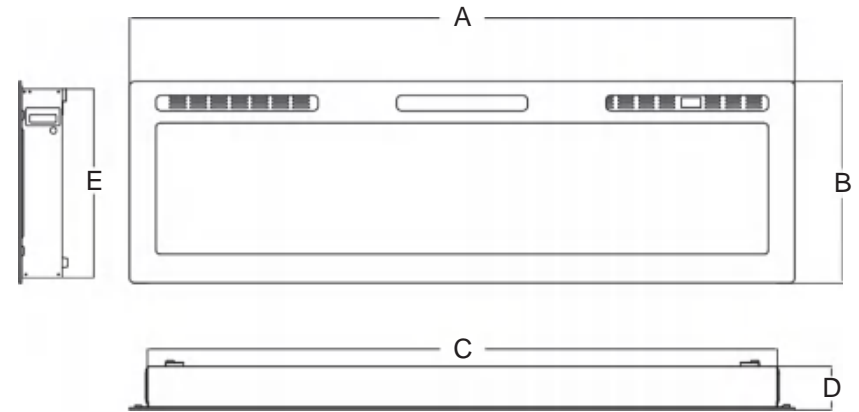
⑥



⑦



1.1 DIMENSIONS

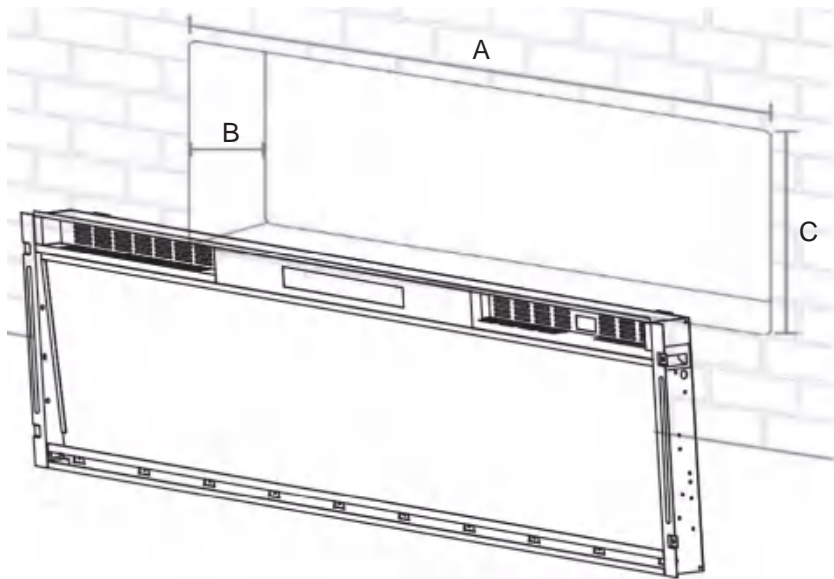


HARDWARE INCLUDED



Part	Description	
A	ST5*30 screw	36D、42D、50D (6+1) 60D、68D、72D (8+1)
B	Plastic expansion tube	8*35 36D、42D、50D (6+1) 60D、68D、72D (8+1)
C	Glass fixing screws The hook has a safety bracket mounting screw	ST4*12 (2+1) 36D、42D、50D (10+1) 60D、68D、72D (16+1)

Model	36D-DBL -SSDQ	42D-DBL -SSDQ	50D-DBL -SSDQ	60D-DBL -SSDQ	68D-DBL -SSDQ	72D-DBL -SSDQ
A(mm)	914	1067	1270	1524	1727	1828
B(mm)	460	460	460	460	460	460
C(mm)	833	985	1189	1443	1646	1747
D(mm)	100	100	100	100	100	100
E(mm)	430.5	430.5	430.5	430.5	430.5	430.5
A (in)	36	42	50	60	68	72
B (in)	18.11	18.11	18.11	18.11	18.11	18.11
C (in)	32.8	38.8	46.8	56.8	64.8	68.8
D (in)	3.94	3.94	3.94	3.94	3.94	3.94
E (in)	16.95	16.95	16.95	16.95	16.95	16.95



NOTE:

✘ Please leave enough space to place the power cord on the right side of the fireplace.

LISTING APPROVALS

This appliance has qualified with the ETL Standards for fixed and location-dedicated electric room appliances in the United States and Canada. If you need assistance during installation, please contact us.

NOTE: This appliance must be electrically wired and grounded in accordance with local or, in the absence of local, with National Electric Code ANSI/NFPA 70-latest edition in the United States or the Canadian Electric Code, ETL in Canada.

Model	36D-DBL-SSDQ	42D-DBL-SSDQ	50D-DBL-SSDQ	60D-DBL-SSDQ	68D-DBL-SSDQ	72D-DBL-SSDQ
A(mm)	843-853	995-1005	1190-1200	1453-1463	1646-1656	1757-1767
B(mm)	105-115	105-115	105-115	105-115	105-115	105-115
C(mm)	435-442	435-442	435-442	435-442	435-442	435-442
A (in)	33.2-33.6	39.2-39.6	46.9-47.3	57.2-57.6	64.8-65.2	69.2-69.6
B (in)	4.13-4.53	4.13-4.53	4.13-4.53	4.13-4.53	4.13-4.53	4.13-4.53
C (in)	17.1-17.4	17.1-17.4	17.1-17.4	17.1-17.4	17.1-17.4	17.1-17.4

Installation	Wall-mount or Recessed
Voltage	120VAC
Watts	Max 1500W
Amps	12.5AMP
BTUS	5100BTU

2. ELECTRICAL INSTALLATION NOTES

2.1 GENERAL INSTRUCTIONS



CAUTION-Some parts of this product can become hot and it is easy to cause burns. Pay attention to keep away from them.

- A. Please confirm that house circuit breakers for the outlet are on, before plugging your appliance into an electrical outlet.
- B. The appliance may emit a slight harmless odor when first used. It is caused by the initial heating of internal appliance elements and will not occur again.
- C. If your appliance does not emit heat, check the operation section of this manual for further information.
- D. Use with an ETL or UL certified protector.



RISK OF FIRE! THE POWER CORD MUST NOT BE PINCHED AGAINST A SHARP EDGE. SECURE CORD TO AVOID TRIPPING OR SNAGGING TO REDUCE THE RISK OF FIRE, ELECTRIC SHOCK, AND PERSONAL INJURY. DO NOT RUN CORD UNDER CARPETING. DO NOT COVER THE CORD WITH THROW RUGS ETC.

ARRANGE THE CORD AWAY FROM CLUTTERED AREAS AND WHERE IT WILL NOT BE TRIPPED OVER.

RISK OF FIRE! TO PREVENT A POSSIBLE FIRE, DO NOT BLOCK AIR INTAKE OR EXHAUST VALVE IN ANY MANNER. DO NOT USE IT ON SOFT SURFACES WHERE OPENINGS MAY BECOME BLOCKED.

RISK OF FIRE! DO NOT BLOW OR PLACE INSULATION AGAINST THE APPLIANCE.

THIS ELECTRIC APPLIANCE IS TESTED AND LISTED FOR USE ONLY WITH THE APPROVED OPTIONAL ACCESSORIES. USE OTHER ACCESSORIES THAT NOT TESTED FOR THIS ELECTRIC APPLIANCE COULD RESULT IN FIRE HAZARD.

A FIRE RESULT MAY CAUSING PROPERTY DAMAGE, PERSONAL INJURY, OR DEATH IF THE CUSTOMER DID NOT FOLLOW THE INSTRUCTION EXACTLY. DO NOT STORE OR USE GASOLINE OR OTHER FLAMMABLE VAPORS IN THE VICINITY OF THIS APPLIANCE.

THIS APPLIANCE IS HEAVY. THUS THERE NEED TWO PEOPLE FOR INSTALLING.

IN ANY WAY, HEATER VENTS ON THE ELECTRIC APPLIANCE CAN NOT BE COVERED. AS IT MAY LEAD TO A FIRE HAZARD.

Follow all national and local electrical codes.

1. The heater should be installed only using the mounting brackets we provided.
2. The heater can not be recessed in the ceiling. There must be enough space around the top of the heater to ensure adequate ventilation.
3. The heater should be placed at least 60 cm (24") away from surrounding walls.
4. At least 90 cm (35.5") should always be left in front of the heaters to ensure safety.
5. The Heater can not be located either directly below, or in front of a socket outlet.
6. The heater must be installed to prevent any control switches from being able to be touched by anyone who is in the shower or bath.
7. Make sure that there is no possibility of inflammable material, combustible material, or curtains coming into contact with the heater.

8. DO NOT USE THE HEATER WITHOUT SUPERVISION.

3. INSTALLATION INSTRUCTIONS

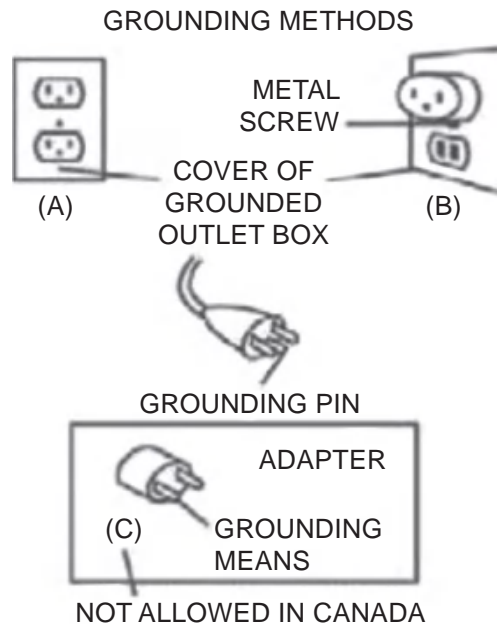
3.1 UNPACKING AND TESTING APPLIANCE

Carefully remove the appliance from the box. Before installing the appliance, make sure the appliance operates properly by plugging the power supply cord into a conveniently located 120 Volt grounded outlet.

3.2 GROUNDING APPLIANCE

This appliance is for use on 120 Volts. The cord has a plug as shown in (A). An adapter as shown in (C) is available for connecting three-blade grounding-type plugs to two-slot receptacles. The green grounding lug extending from the adapter must be connected to a permanent ground such as a properly grounded outlet box.

The adapter should not be used if a three-slot grounded receptacle is available. To disconnect the appliance, turn the controls off, then remove the plug from the outlet.



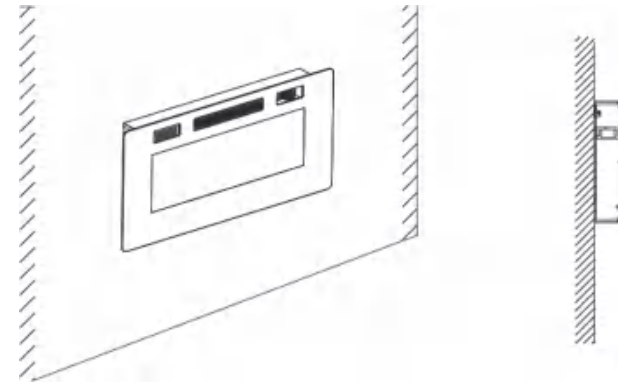
3.3 ASSEMBLY

The fireplace can be installed with 2 options:

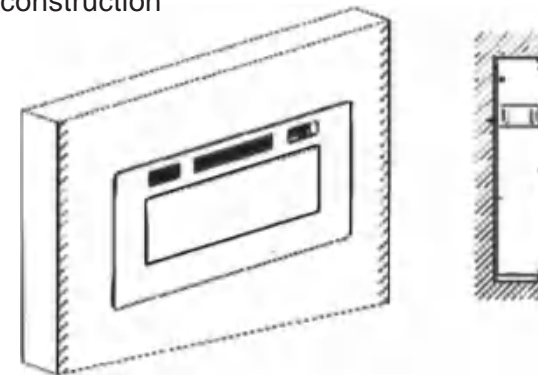
1. Wall hanging with provided mounting bracket.
2. Built-in construction (in-wall recessed).

Follow the installation instructions below based on installation preference.

Option 1:
Wall Hanging



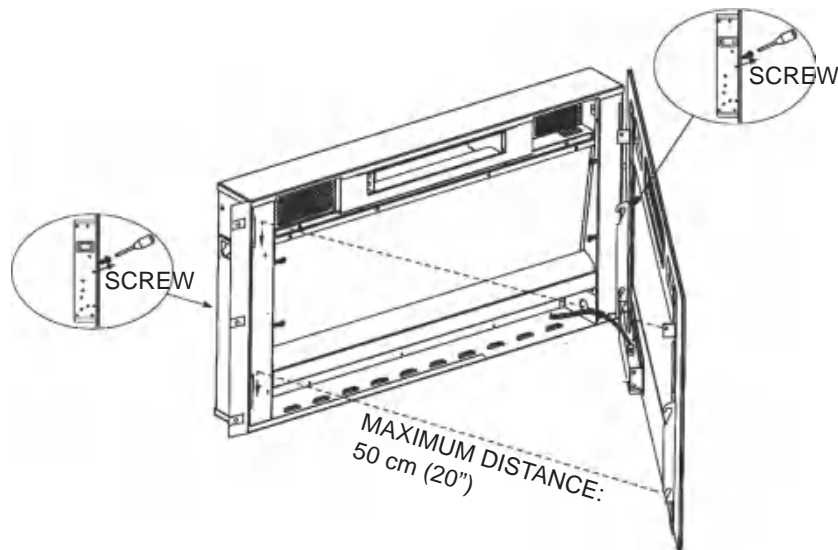
Option 2:
Built-in construction



Installation Option 1 - Wall Hanging

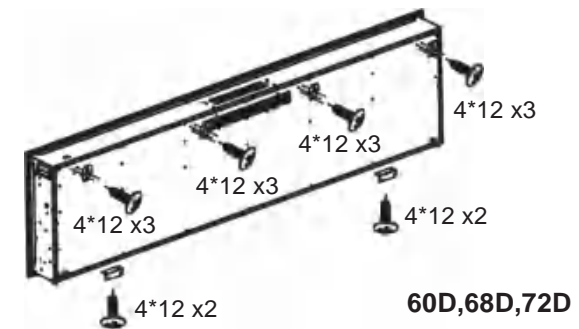
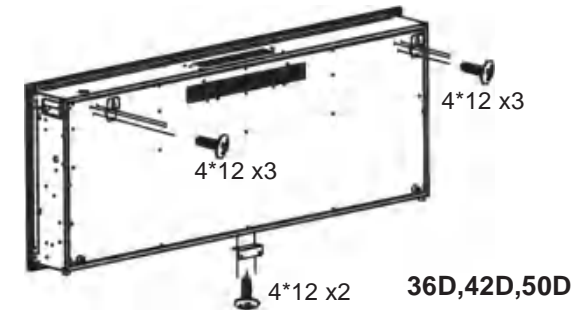
Step 1. Removing the Glass Frame:

- Remove the fixed screw in the side plate
- Lift the glass frame 1-2 cm (0.4"-0.8") vertically. Then the entire glass frame can be removed from the front.
- Take the glass frame 10-20 cm (4"-8") away from the appliance, pull out the data cable connector with the help of others or put the glass panel down on the ground before complete separation.



**SSDQ-DBL-36D、 SSDQ-DBL-42D、 SSDQ-DBL-50D、
SSDQ-DBL-60D、 SSDQ-DBL-68D、 SSDQ-DBL-72D**

Step 2. Installing the Mounting Bracket:



As many different finishing materials are used on the walls, it is highly recommended that you consult a local builder before installing this fireplace on the walls.

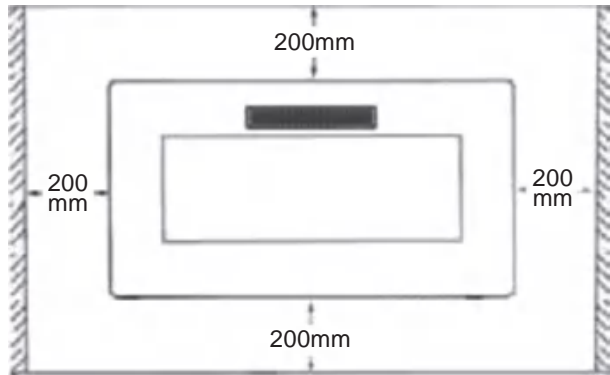
Choose an area that is not susceptible to moisture and is at least 36 inches away from curtains, furniture, bedding, or other combustible materials.

Place the fireplace with the glass removed on a safe counter surface with the back to the top, and fix the glass fixing bracket and safety bracket with accessory screws according to the following figure. It's on the fireplace back. When fixed, the direction and position of the support must be according to the diagram, otherwise it can not be hung on the wall.

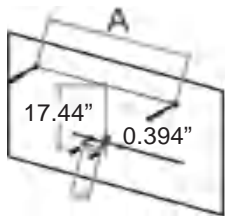
Step 3. Choosing a Wall Location

- Find a safe location, where minimum clearance from the ceiling and the mantel must be at least 8 inches (200 mm); minimum clearance from the front must be at least 3 feet (900 mm). Choose a location near an outlet so an extension cord is not required.

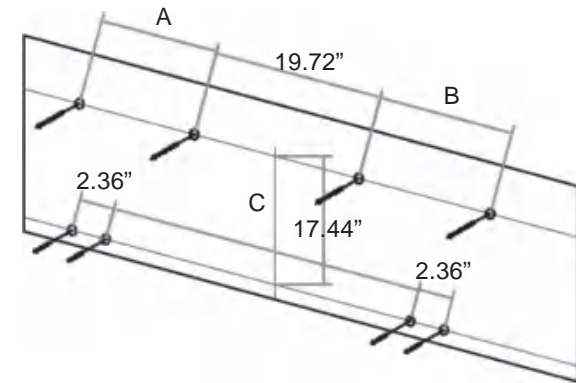
Note: DO NOT position the unit directly below a power outlet. Please check Safety Information for more warnings about placement, installation, and use of this product.



Step 4. Drilling the Holes and installing the Mounting Bracket



Model	A mm / in
36D	707 / 27.84
42D	859 / 33.82
50D	1063 / 41.85



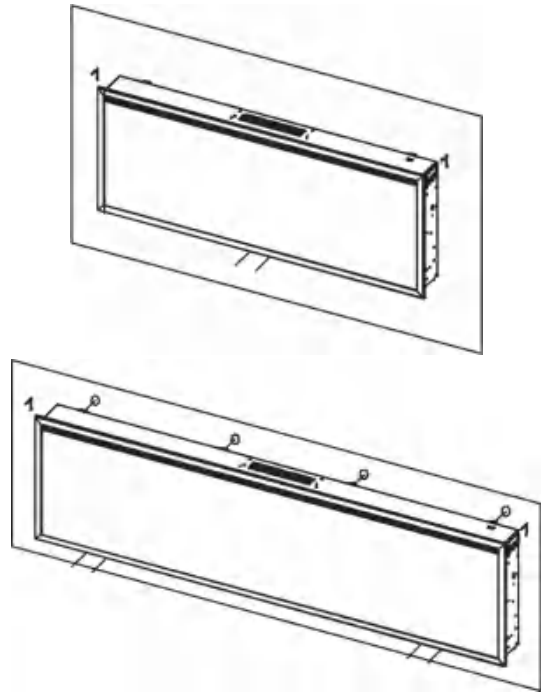
Model	A mm / in	B mm / in	C mm / in
60D	408 / 16.06	408 / 16.06	1160 / 45.67
68D	543 / 21.38	543 / 21.38	1318.4 / 51.91
72D	560 / 22.05	560 / 22.05	1464 / 57.64

Mark the position of the fixed hole on the wall according to the size requirements of the position below, and then use the hole punch to punch the hole matching with the plastic expansion pipe of the accessories of the machine according to the mark position.

Insert the plastic expansion tube into the drilled hole. The expansion tube should not be higher than the wall plane. Then screw a screw into the expansion tube that holds the support screw above.

The screw head is about 2-3mm away from the expansion tube, but the tightened expansion tube cannot be pulled out of the wall with about 120 force. Otherwise, the fixed hole and the expansion pipe are not qualified, and can not be hung on the fireplace.

Step 5. Hanging the Fireplace on the Bracket



After installing the fireplace, have two people lift the fireplace up and see if the hanging bracket on the back board is aligned with the wall. There are 2-3mm screws in the shoulder, and then use a small force to slowly introduce the fireplace into the fixing slot of the hanging plate, and then use ST5*30 screws to secure the safety bracket on the wall (plastic expansion tube has already been installed).

Step 6. Placing the Decorations

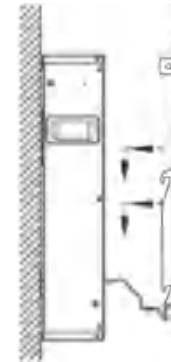
-Carefully place crystal (together with the appliance) or other decoration into the bottom tray on the front of the appliance as illustrated.



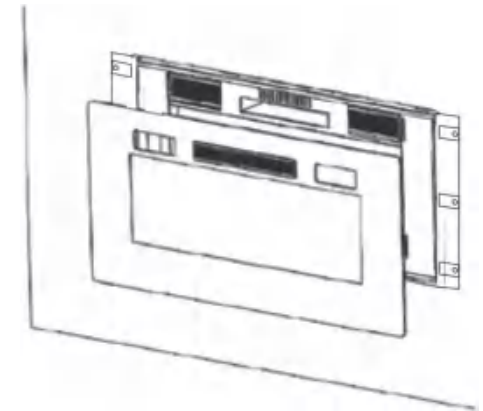
NOTE: Media bed kits may have sharp edges, wear safety goggles and gloves when handling.

-Connect the data cable connector before hanging the glass frame on the appliance.

- Gently push on the glass panel by aligning the 4 hooks until it snaps into position (sinks down 1-2 cm / 0.4"-0.8").

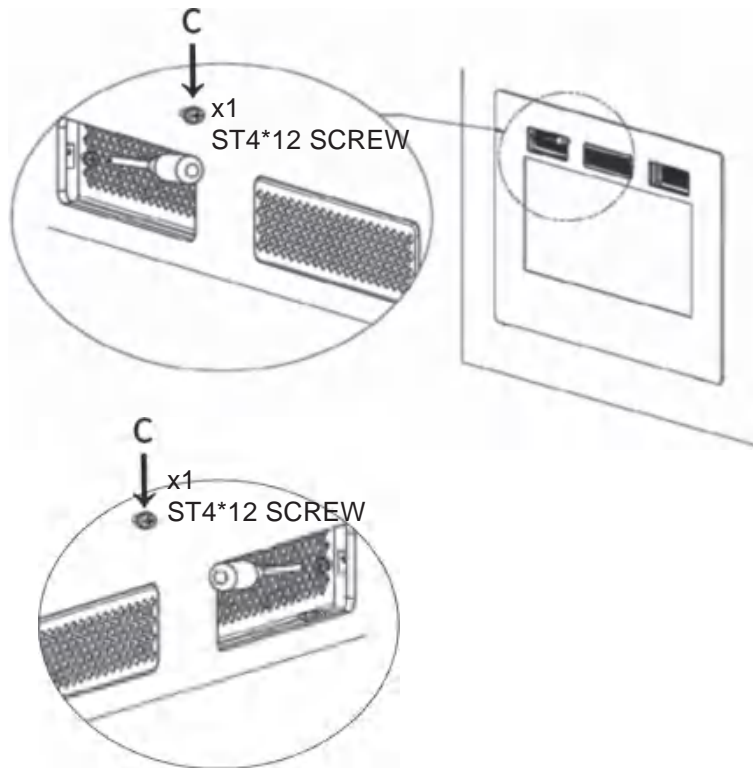


Connect the data cable connector



Step 7. Refasten the Glass Frame

- Thread the ST4*12 screw into the threaded holes on the glass panel. Check the alignment of the glass panel and securely tighten the screws.



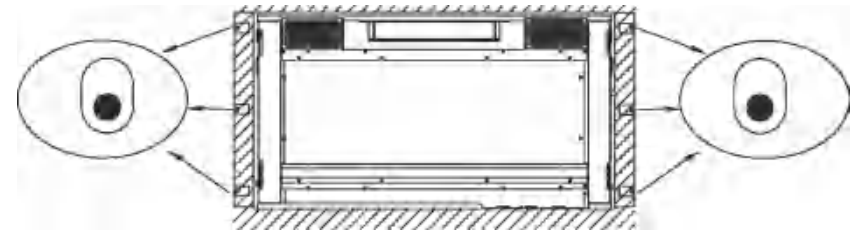
Installation Option 2 - Built in Construction

Step 1. Removing the Glass Frame

Step 2. Installing the Mounting Bracket

(Step 1 and Step 2 are same as Wall Hanging Installation.)

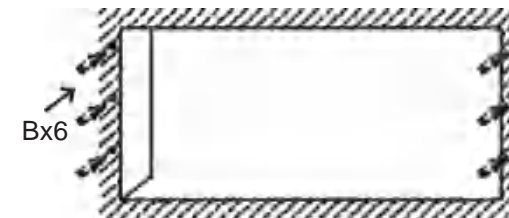
Step 3. Settling the Holes of Screw



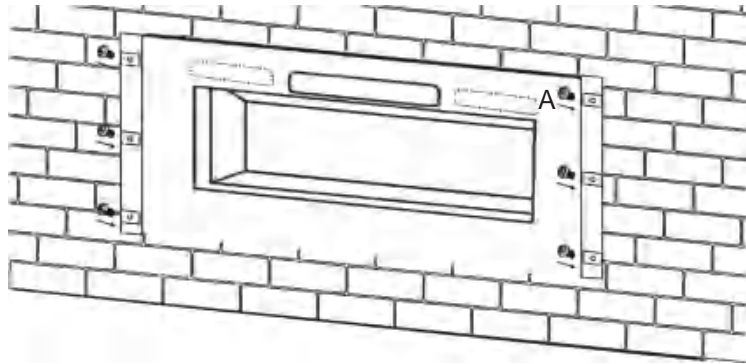
- The appropriate cavity (1-2 cm bigger for each side) needs to be prepared according to the size of the appliance.
- Put the fireplace in place, mark the holes which need to be drilled with a pencil. Then take it out of the cavity again.

Step 4. Drilling & Installing the Wall Anchors

- Drill the holes 7/25 in. (7 mm) on the prepared marks.
- Insert the wall anchors (Part B) into the holes by using a hammer.



Step 5. Placing the Pads and Fixing the Fireplace



- Screws A pass through the holes from the front of fireplace with screwdriver.

(Note: Install carefully and don't let the screws fall into the fireplace.)

- Put the Fireplace into the prepared cavity.
- Fasten the fireplace firmly into the wall by the screws for each side.

Step 6. Placing the Decorations

- Carefully place crystal (together with the appliance) or other decoration into the bottom tray on the front of the appliance as illustrated.

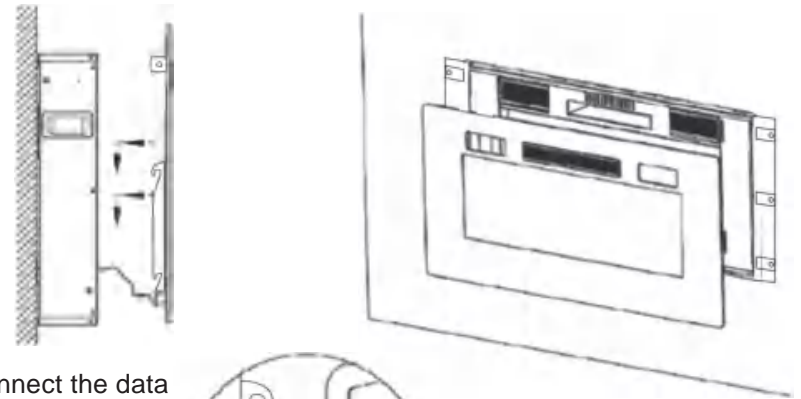


NOTE: Media bed kits may have sharp edges, wear safety goggles and gloves when handling.

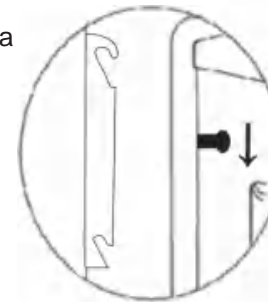
Step 7. Hanging the Glass Frame

- Connect the data cable connector before hanging the glass frame on the appliance.

- Gently push on the glass panel by aligning the 4 hooks until it snaps into position (sinks down 1-2 cm / 0.4"-0.8").



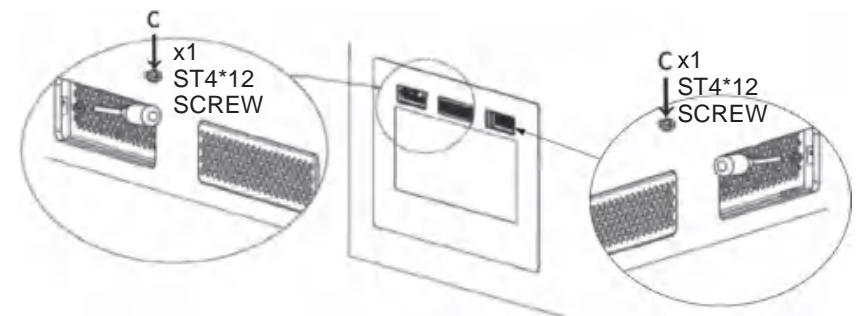
Connect the data cable connector



WARNING: It's better to reserve a space between frame and wall to enable better air circulation during working if available.

Step 8. Refasten the Glass Frame

- Thread the ST4*12 screw into the threaded holes on the glass panel. Check the alignment of the glass panel and securely tighten the screws.



4. FINISHING



GRILLE MAY BE HOT, DO NOT TOUCH AIR OUTLET UNTIL COOLED.

THE DOOR HOOKS ARE PART OF A SAFETY SYSTEM AND MUST BE PROPERLY ENGAGED. DO NOT OPERATE THE APPLIANCE WITH HOOKS DISENGAGED.

FACING FINISHING MATERIALS MUST NOT INTERFERE WITH AIR FLOW THROUGH AIR OPENINGS, OPERATION OF DOORS OR ACCESS FOR SERVICE. OBSERVE ALL CLEARANCES WHEN APPLYING COMBUSTIBLE MATERIALS.

BEFORE DOOR IS REMOVED. TURN THE APPLIANCE OFF AND WAIT UNTIL APPLIANCE IS COOL. DOORS ARE HEAVY AND FRAGILE, SO HANDLE WITH CARE.

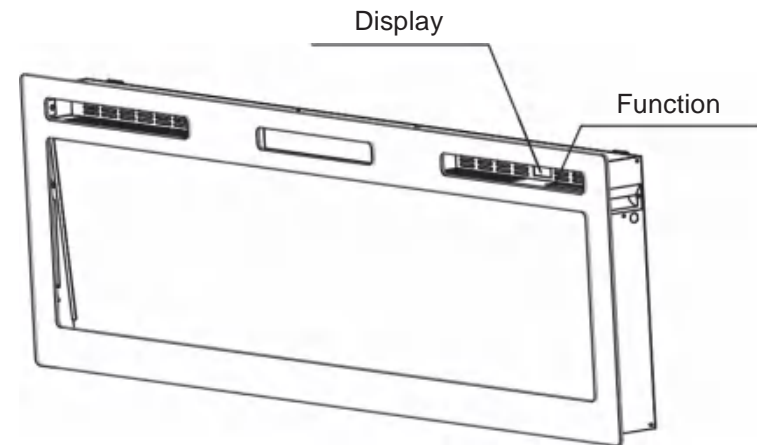
NOTE: Glass front must be removed and the appliance must be finished in its final location before the media bed kits are installed. Media bed kits may have sharp edges, wear safety glasses and gloves when handling.

5. OPERATING INSTRUCTION

Once the appliance has been plugged into a grounded electrical outlet, it is ready to operate.

5.1 MAIN POWER BUTTON

The main power switch for the fireplace is on the front right. Press indicator to turn on the appliance, press the other side to turn it off.

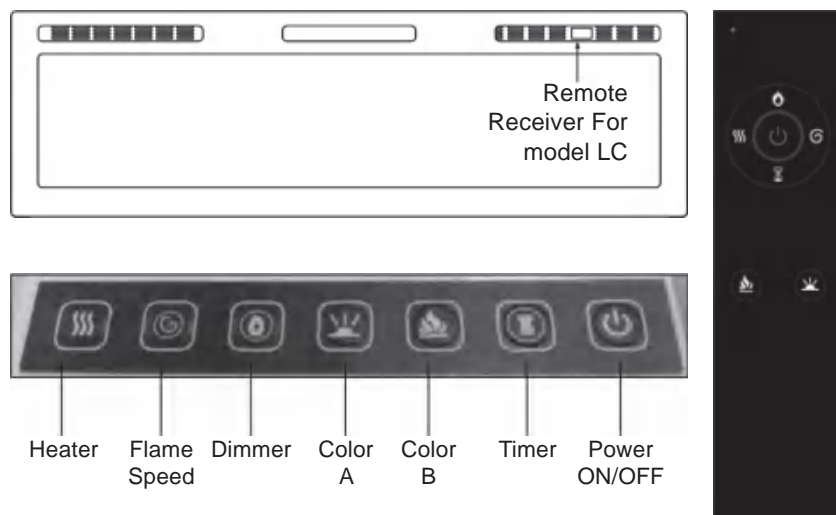






5.2 CONTROL PANEL /REMOTE CONTROL OPERATION




(Main Power Switch must be turned ON before using remote control.)

The control panel is on the upper right.

◆ Before use, open the back cover of the remote control and put in the AAA battery (Not Included).



POWER		Turn the appliance ON/OFF. NOTE: Make sure the main switch on the top of fireplace is turned on before operating.
DIMMER		Control Flame brightness. 5 Settings: (L1-L2-L3-L4-L5). Flame dims from L1 to L5. L5 is the brightest setting.
TIMER		Control the Timer. 12 Settings: (1~12H) Press button until reach desired setting.
FLAME SPEED		Control Flame speed. 5 Settings: (V1-V2-V3-V4-V5). Flame speed from V1 to V5. V5 is the largest setting.

HEATER		Control the Heater. Press button to initiate the heater. (OFF) no heater or blower. (-), heater blows warm air (750 W) (--), heater blows hot air (1500 W) NOTE: Heater functions cycle from (OFF) (-) (--)
COLOR B		Control the flame color. 13 Settings: 1. red; 2. yellow; 3. blue; 4. orange; 5. red & yellow; 6. red & blue; 7. blue & orange & red; 8. yellow & blue; 9. yellow & blue & orange; a. orange& blue; b. red & yellow & blue; c. multi color. Press the button again. until you hear a short buzzer, the digital tube displays the number "0", the color of the carbon bed light will be in 1-c color gradient.
COLOR A		Control the flame bed color. 13 Settings: 1. red; 2. gentian blue; 3. green; 4. pink; 5. yellow; 6. cyan; 7. purple; 8. white; 9. saffron; 10. sky blue; 11. verdant; 12. Capri blue; 13. the flame color and brightness will be changed automatically.

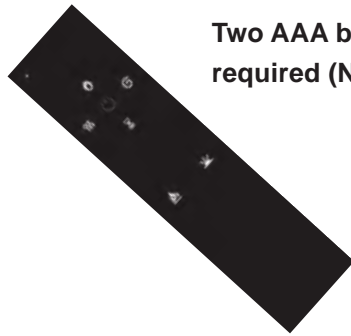
WARNING: Do not move or remove the mesh trim panel when the appliance is plugged in and operating. This will cause the remote control and touch panel to no longer function.

NOTICE: When the heater is first turned on, a slight odor may be present. This is normal and should not occur again unless the heater is not used for a long period of time.

NOTICE: To improve operation, aim the remote control at the front of the fireplace. DO NOT press the buttons too quickly. Give the unit time to respond to each command.

5.3 REMOTE CONTROL

◆ Before use, open the back cover of the remote control and put in the AAA battery.



Two AAA batteries are required (Not Included).



Battery must be recycled or disposed of properly. Check with your Local Authority for recycling advice in your area.

6. TROUBLE SHOOTING GUIDE

PROBLEM	SOLUTION
The mounting bracket cannot be removed	<ol style="list-style-type: none"> 1. The mounting bracket is pre-attached. Unscrew the two screws at both sides of the fireplace by Phillips screw driver, then remove the pre-attached mounting bracket. 2. If the problem is still not solved, please contact us.

PROBLEM	SOLUTION	
The control panel functions do not work	<ol style="list-style-type: none"> 1. Make sure the Power Switch on the control panel is turned on before operation. 2. Make sure you have reconnected the data cable which was pull out when you removed the glass frame. 3. If the problem is still not solved, please contact us. 	
Sudden power outage during the heating process	<ol style="list-style-type: none"> 1. Don't cover the air outlet. 2. Unplug the plug, wait for 10 minutes and try to open it again. 3. If the problem is still not solved, please contact us. 	
The appliance does not blow hot air when it turns on and off.	This is normal. The fans blow cool air while the appliance gradually heat up. The fans blow after the appliance turn off to cool the appliance and prevent overheating.	
The appliance does not blow hot air when it turns on and off.	1. Main Power supply switch is off.	Turn the main power supply switch to "ON" position.
	2. Circuit breaker has tripped.	Too many appliances on this circuit. Be sure that electrical supply for this unit is an individual circuit.
	3. Heater is unplugged from wall outlet.	Make sure the power cord is plugged into a functioning and properly grounded 12.5 Amp 120V AC electrical outlet.
	4. Power cord or power plug are damaged.	Contact a qualified electrician to replace power cord.

PROBLEM	SOLUTION	
The appliance does not blow hot air when it turns on and off.	5. Power outlet for power plug prong is loose.	Check the power outlet and replace with a new one.
	6. Loose wiring.	Check all wiring for loose connections. Contact a qualified electrician.
Heater is on, but no flame or low flame intensity.	1. Heater switches in on, but Flame is not on.	Long-press the "DIMMER" button for 6 seconds, the appliance will go into sleep mode. All the lights off, the heating function goes on. Long-press for 6 seconds again, the appliance will back to normal mode.
	2. Flame Adjusting knob is at low setting.	Turn the knob to maximum setting.
	3. Loose wiring.	Check all wiring for loose connections. Contact a qualified electrician.
Flame are frozen	1. Flame element is not attached to the motor.	Contact us.
	2. Rotation motor is defective.	Contact us.
Excessive noise in the lower portion of the heater.	1. Flame element isn't seated properly.	Contact us.
	2. Motor is defective.	Contact us.

PROBLEM	SOLUTION	
Heater system doesn't come on.	1. Heater power switch is off.	Turn the heater power switch to the "ON" position.
	2. Heater system is overheated.	Maybe the heater is covered or air inlet or air outlet is blocked; remove the clothes or the blockage and turn off the power switch and unplug it. Wait 10 minutes, and then turn the heater on again.
	3. Loose wiring.	Check all wiring for loose connections. Contact a qualified electrician.
	4. The air inlet or air outlet is blocked completely.	Leave adequate space around the unit. Remove the blockage, on or in front of the air outlet.
"HEAT " switch has been flipped in the on position, but there is no airflow.	1. The heater system is overheated. Temperature Limit thermostat is cut off.	Check the air inlet and outlet. Turn off the power switch and unplug it. Wait 10 minutes, and then turn the heater on again.
	2. Fan motor is defective.	Contact us.
	3. Fan blower is balanced badly.	Contact us.
	4. The "POWER" and the "HEAT" switches are not turned on.	Turn these two switches on.

PROBLEM	SOLUTION	
Fan runs but no heat is coming out.	1. Loose wiring.	Contact us.
	2. Bad heating element.	Contact us.
	3. Build up of dirt on the fans.	Clean all fans.
	4. Heater fan is defective.	Contact us.
The remote control does not work.	1. The battery is not properly installed.	Make sure the battery is properly installed. Move the battery's transparent insulating piece away before using.
	2. Not pointing to the right position.	Aim the remote control at the receiver.
	3. Have an obstacle in front of the machine.	Remove objects that may be in the way. Items between the remote control and the remote control receiver will block the signal.
	4. Press the remote control buttons too quickly.	Don't press the remote control buttons too quickly. Give the unit time to respond to your commands.
There is an odor coming from the heater.	The heater may emit a slight, harmless odor when first used. This is a normal condition caused by initial heating of the internal parts and will not occur again.	

NOTE: For the most of functional problems, you can unplug the plug, wait for 10 minutes and plug it again, the machine will reset to the initial status (product originals). If the problem is still not solved, feel free to contact us.

7. MAINTENANCE



DISCONNECT POWER AND ALLOW HEATER TO COOL BEFORE ATTEMPTING ANY MAINTENANCE OR CLEANING TO REDUCE THE RISK OF FIRE, ELECTRIC SHOCK OR DAMAGE TO PERSON.

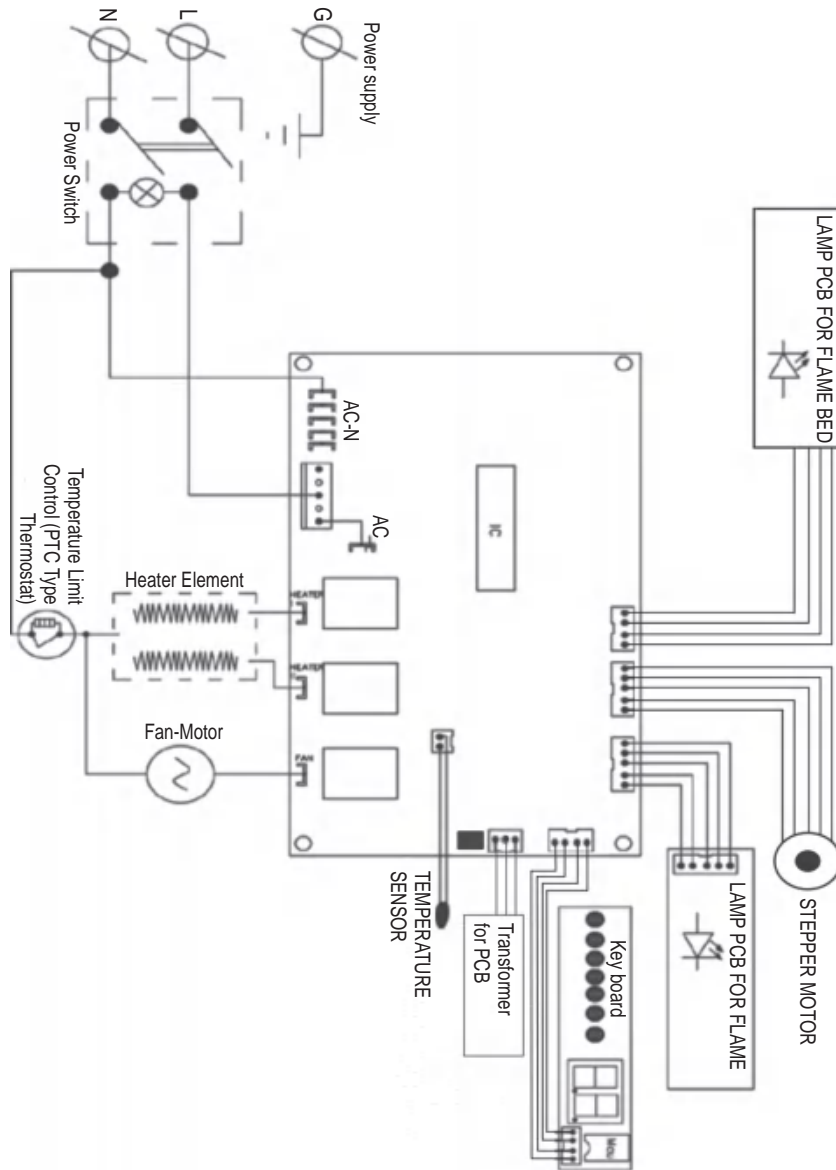
THE FIREPLACE SHOULD NOT BE OPERATED WITH AN ACCUMULATION OF DUST OR DIRT ON OR IN THE UNIT, AS THIS CAN CAUSE A BUILD UP OF HEAT AND SUBSEQUENT EVENTUAL DAMAGE. FOR THIS REASON THE HEATER MUST BE INSPECTED REGULARLY, DEPENDING ON CONDITIONS AND AT LEAST AT YEARLY INTERVALS.

7.1 PARTIALLY REFLECTIVE GLASS CLEANING

The partially reflective glass is cleaned in the factory during the assembly operation. During shipment, installation, handling, etc., the partially reflective glass may collect dust particles; these can be removed by dusting lightly with a clean dry cloth.

To remove fingerprints or other marks, the partially reflective glass can be cleaned with a damp cloth. The partially reflective glass should be completely dried with a lint-free cloth to prevent water spots. To prevent scratching, do not use abrasive cleaners.

7.2 SCHEMATIC DIAGRAM



8. Q&A

1.

Q: After installation, I found that half screen of my fireplace was no light. What should I do?

A: This problem was caused by the lamp strip of the product, which installed in the back inner place of the fireplace. Please check the plug of the lamp strip was fully inserted or not. If the problem couldn't be solved with above step, please contact customer service for help.

2.

Q: I turn on the fireplace and the flame is weak what should I do?

A: This problem is caused by the reflective strip (installed in the back inner place of fireplace). Please contact us to replace the reflective strip to solve this problem.

3.

Q: My fireplace makes a lot of noise, could you please tell me why?

A: Firstly, please confirm where the noise come from? There are usually 3 causes of noise.

(1) Motor noise. It is coming from the bottom of the fireplace and could be solved by changing motor, please contact with customer service for change.

(2) Reflected strip noise. It is coming from the back of the fireplace. Please take the fireplace apart, find the reflective strip, and cut off the excess.

(3) Fan noise. It is coming from top of the fireplace. Please contact customer service. They will send you a repair video and provide you with a repair plan as help to repair the fireplace.

If the problem couldn't be solved by above steps, please contact with customer service for help.

4.

Q: My fireplace does not heat up after plug in, what should I do?

A: It may be the control board is damaged, please contact us.

5.

Q: The remote control is insensitive, what should I do?

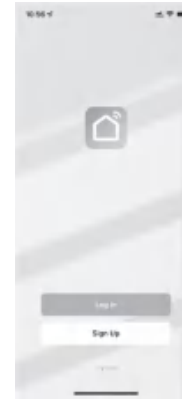
A: Please confirm you already take out the insulating parts in the remote and load the battery correctly. Then please aim at the upper right corner of the screen to test when using. If the remote still insensitive after above steps, please contact customer service.

1 DOWNLOAD THE APP



Search for Smart Life in Apple's App Store and other major app stores or scan the following QR code to download the Smart Life app.

2 USER ACCOUNTS



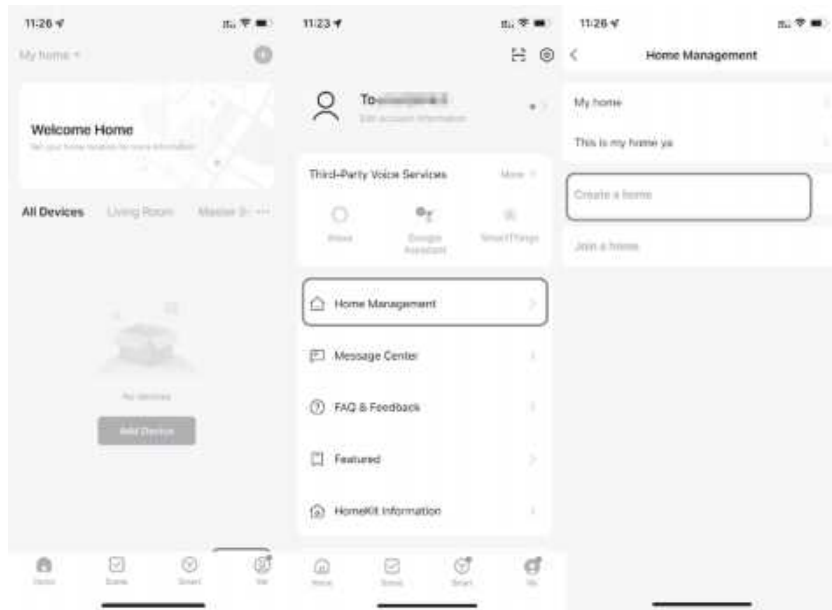
2.1 Register an account

1. Tap Sign Up and carefully read and agree on the User Agreement and Privacy Policy to go to the Register page.

3 USE THE APP

3.1 Manage homes and home members

1. After login to the app as a new user, the Home page where devices are listed appears. The user's avatar is displayed in the top-left corner of the page. Before home information is completed, the Home page does not display environment or room information.
2. In the bottom navigation bar, tap Me > Home Management to go to the Home Management page.
3. After the new user taps Home Management, the user can edit the information about adding a home on the page that appears.
4. If a home has already been added, tap Create a home on the Home Management page to go to the Create a homepage.
5. If you want more than one person to control the device, let others join your home.



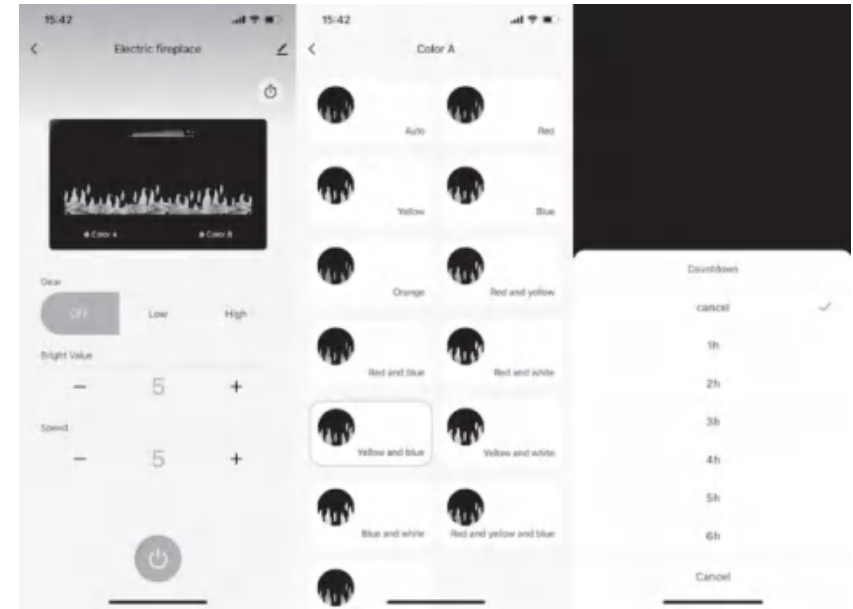
4 ADD A DEVICE



When you connect to wifi and turn on Bluetooth, the home page will automatically display the device to let you connect

5 CONTROL DEVICES

5.1 Use control panels



- 1.Gear --Control the strength of hot air
- 2.Bright Value --Control the brightness of the light
- 3.Speed --Control the flame beating speed
- 4.Color A/B --Control flame color
- 5.The clock -- Control the countdown time