

# Assembly Instructions

**Caution: You must read this before you proceed**

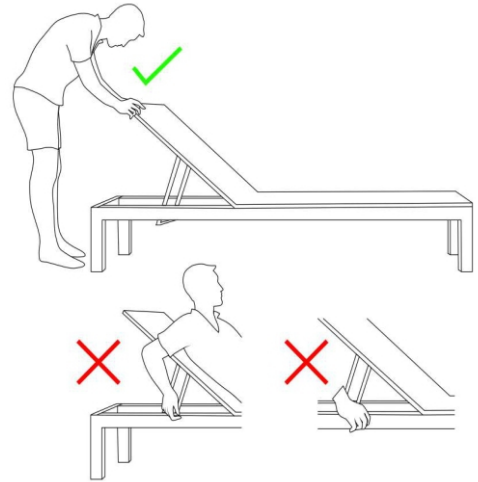
## SAFETY WARNING

Never adjust the chaise lounge or the recliner backrest while seated.

Always make sure the backrest is flat before moving the chaise lounge.











Keep all limbs clear from under the backrest when it is in a raised position.

Serious finger, hand, or other bodily injuries may result from adjusting the chaise lounge backrest position while seated.



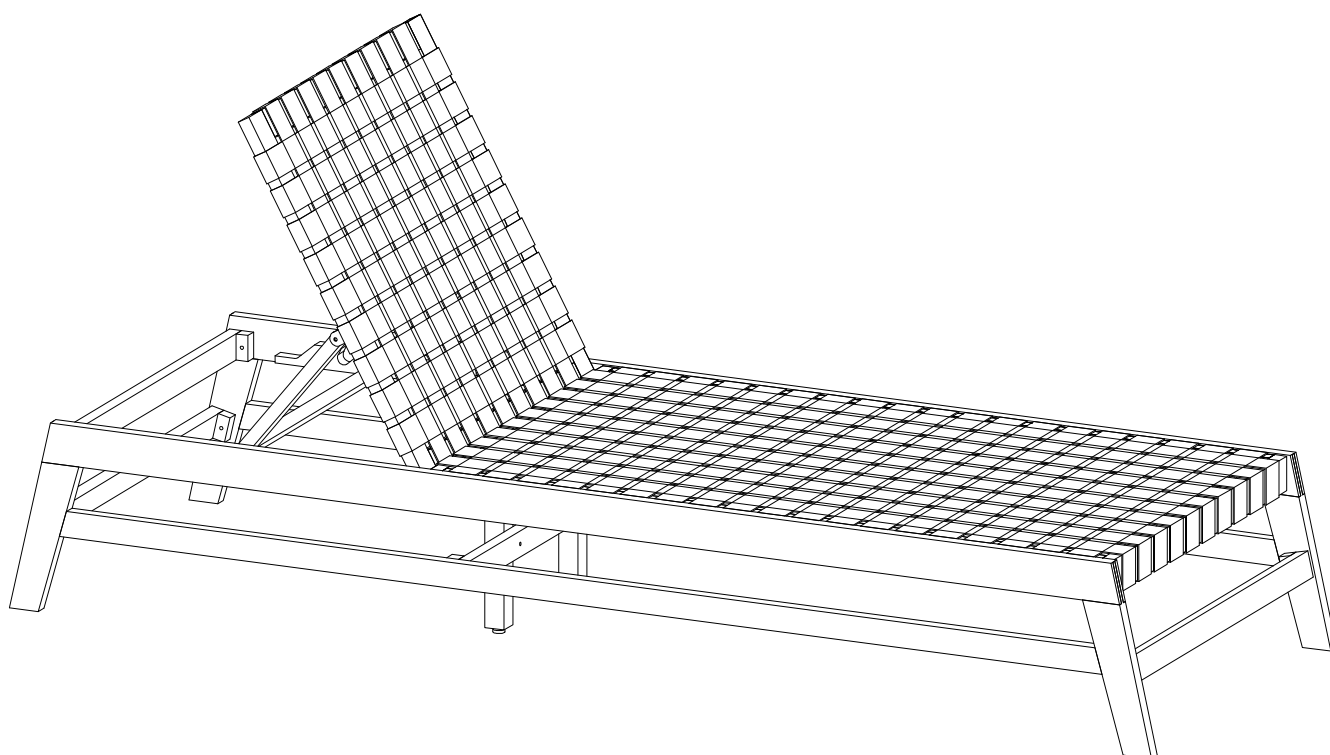
The examples pictured above are non exhaustive and are for your reference only

## Care & Maintenance

- ⊘  • Not for commercial use. For residential use only.
- ⊘  • Do not put hot items directly on furniture surface.
- ⊘  • Do not clean furniture with harsh cleansers or polishes.
- ✓  • To obtain the longest lifespan of your outdoor products, minimizing exposure to direct sunlight is recommended.
- ⊘  • Children should not climb or jump on the furniture.
- ⊘  • Do not write on furniture without a padded barrier to protect the surface.
- ✓  • To obtain the longest lifespan of your outdoor products, avoid extended and lengthy exposure to rain, snow, and direct sunshine. Whenever possible cover the product and /or place under patio or awnings.
- ⊘  • Stains may be removed with mild soap solution and damp cloth.
- ✓  • Keep away from sources of ignition.
- ✓  • Dust and pick-up spills using a clean, non-colored, lint-free cloth.





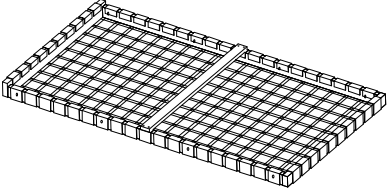
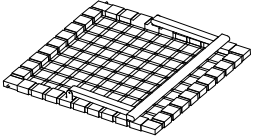
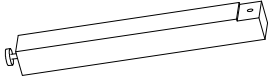
Please look in the Leg Panel for hardware packs

## LOUNGER

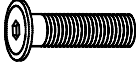






**CAUTION** : This Lounger is NOT a TOY.  
Keep your child / children at bay during the assembly process.  
Whenever moving or lifting the Lounger and to prevent damage to the Lounger, two adults are needed to execute this action.

# Parts List

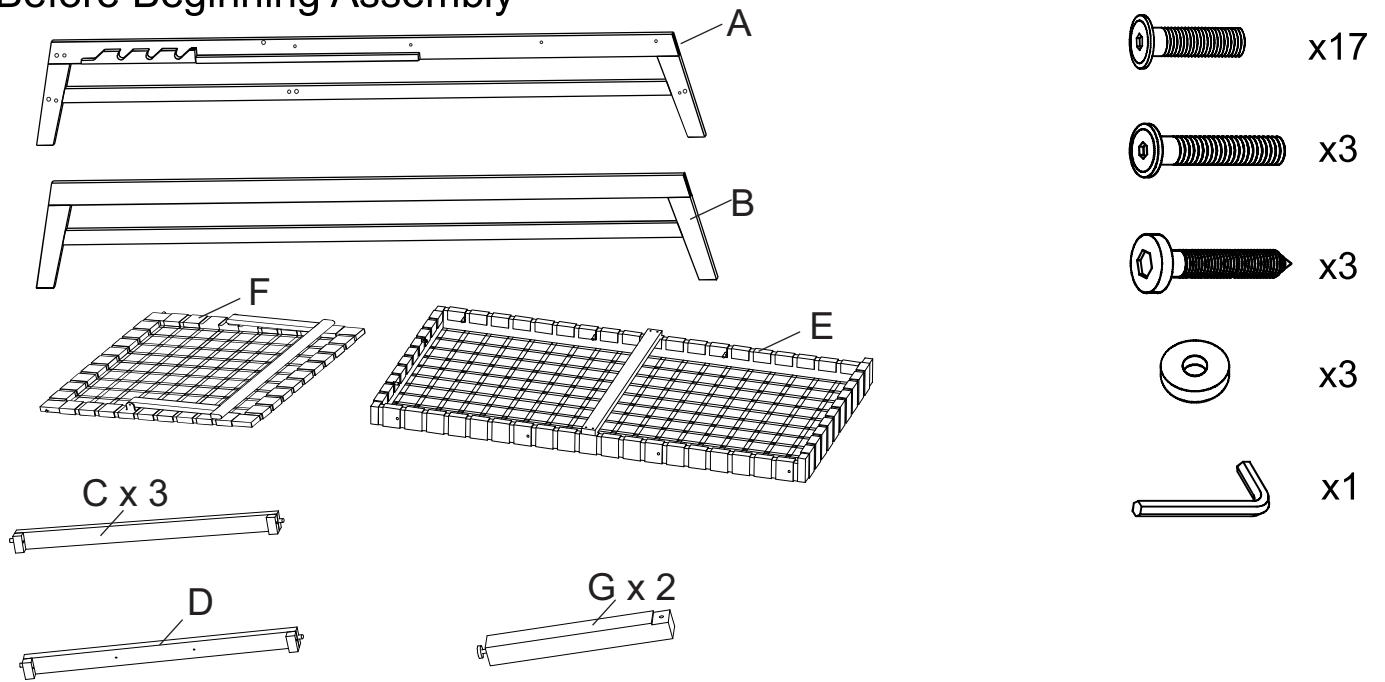
Label	Picture	Description	QTY
A		Right Leg Panel	1
B		Left Leg Panel	1
C		Front - Back Support	3
D		Middle Support	1
E		Seat Panel	1
F		Backrest Panel	1
G		Middle Leg	2

# Hardware

Label	Picture	Description	QTY
①		Bolt (M6 x 35mm)	17
②		Bolt (M6 x 45mm)	3
③		Screw (M6 x 40mm)	3
④		Plastic Washer (Ø8.5/Ø20x4mm)	3
⑤		Allen Wrench	1

# Assembly Preparation

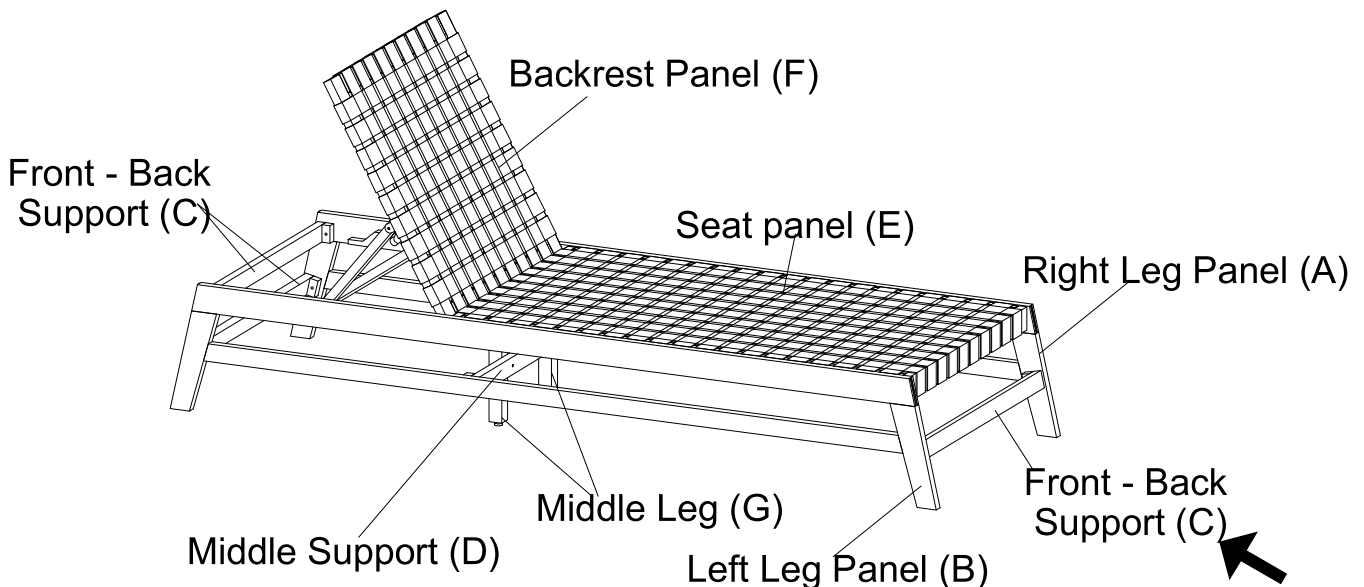
## Before Beginning Assembly



- Read instructions, cover to cover-
- Have 2 adults on hand for assembly-
- Do not assemble on flooring or carpet-
- Assemble on a clean non-marring surface (packing foam)-
- Save all packaging until finished-

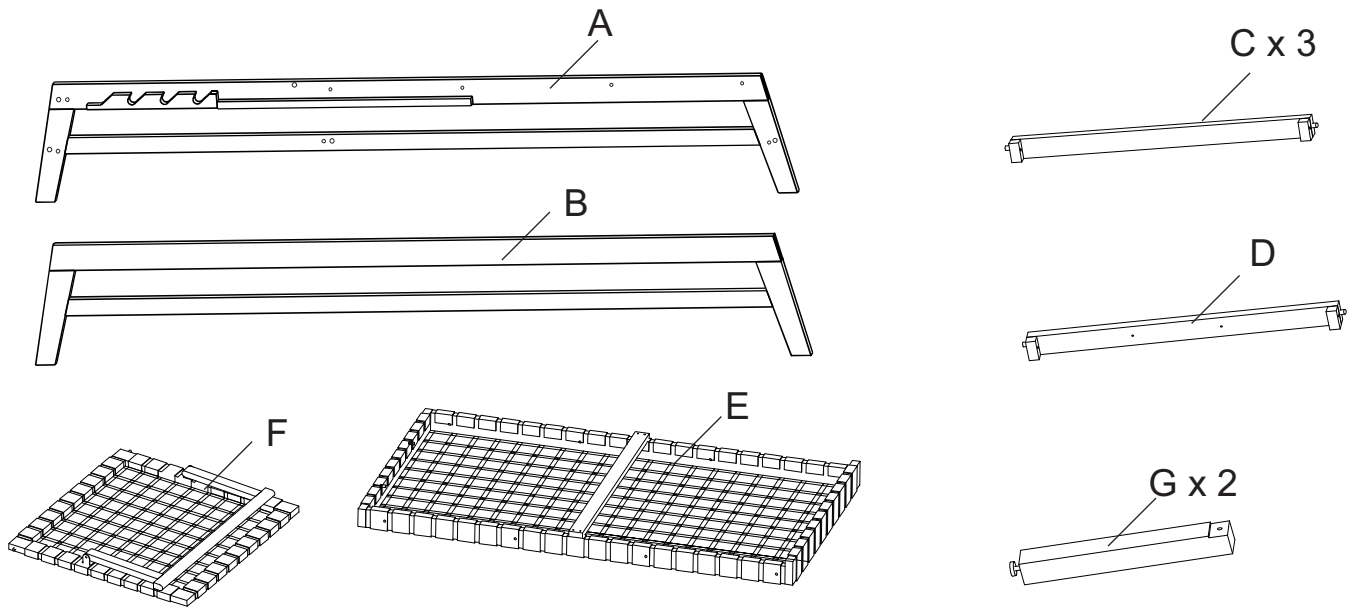
# Assembly Steps

## OVERVIEW



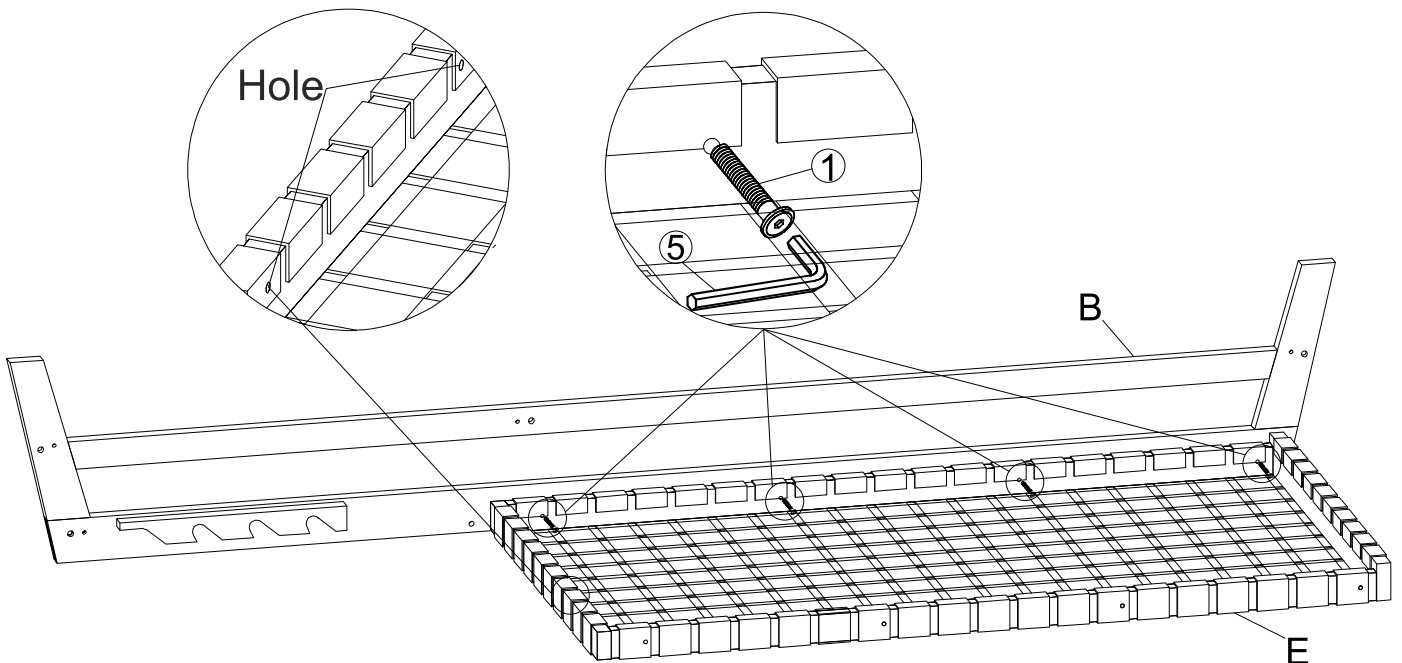
This Lounger has multiple parts and may require up to 30 minutes to assemble. To give you an overview of the Lounger parts, the above picture is to help you put the various parts into perspective. Please read through the instructions below to familiarise yourself with the parts and steps before assembly.

## Step 1



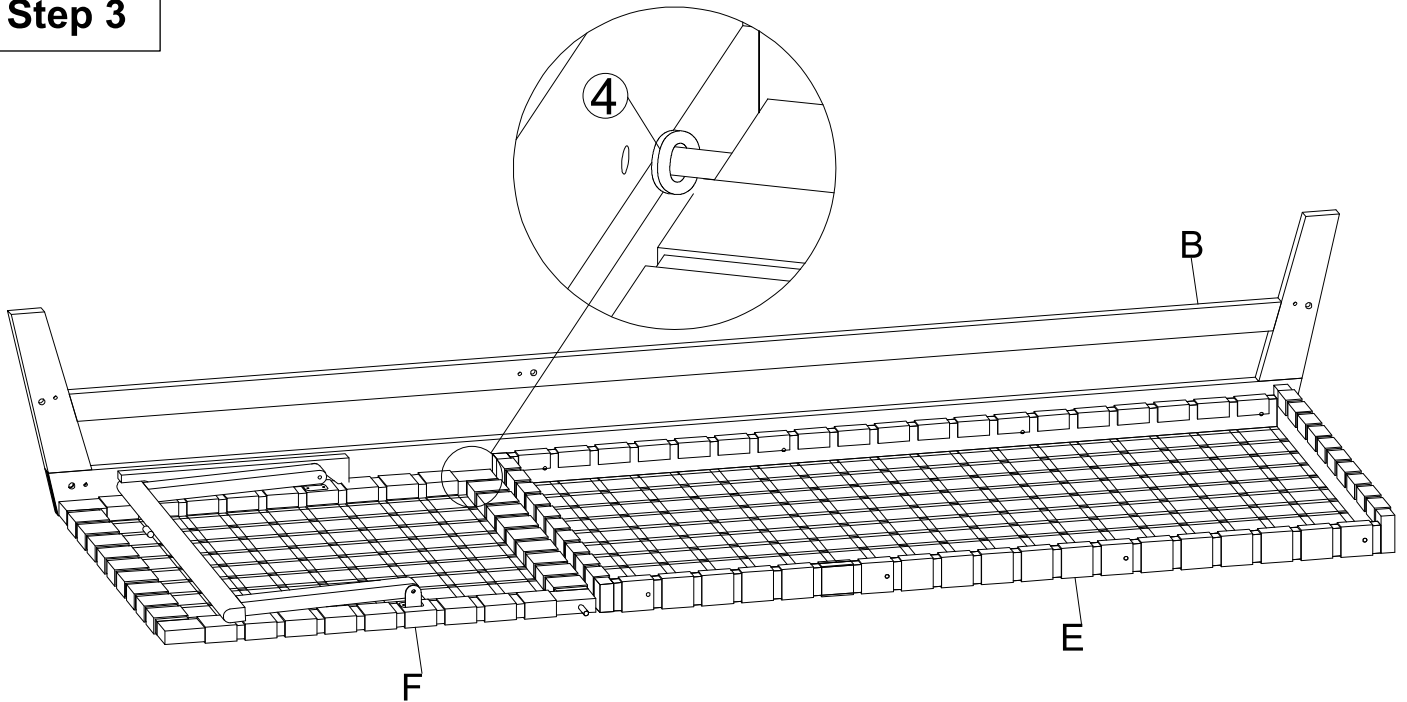
Unpack and place all parts on a clean, non-marring surface.

## Step 2



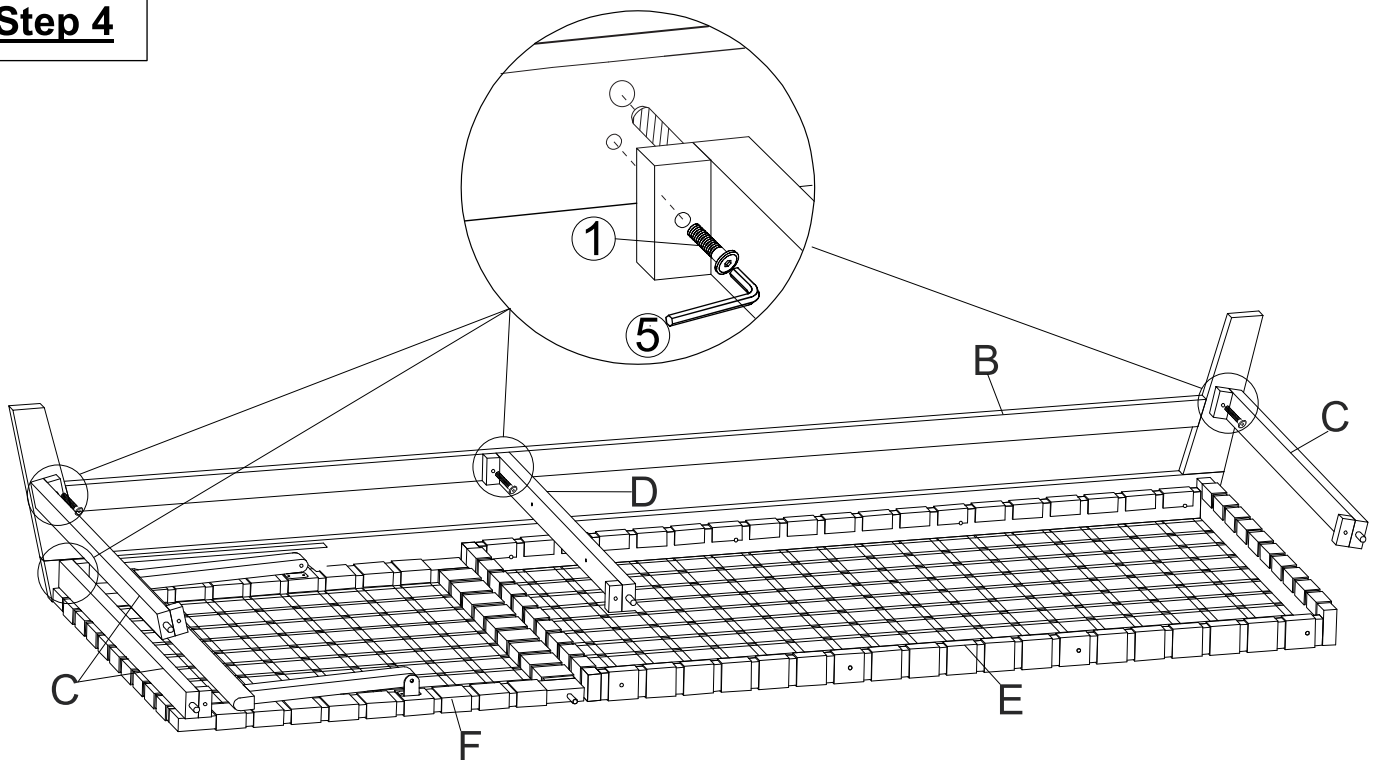
Place the Seat Panel (E) onto the clean, flat surface.  
With assistance from your adult partners, attach Left Leg Panel (B) to Seat Panel (E) using Bolt (1) and Allen Wrench (5) as above picture.  
**Do not fully tighten the Bolts.**

### Step 3



Position the Metal Dowel Pin on Backrest Panel ( F ) To the Tenon on the Left Leg Panel ( B ) using Panel Plastic Washer ( ④ ) as shown above picture.

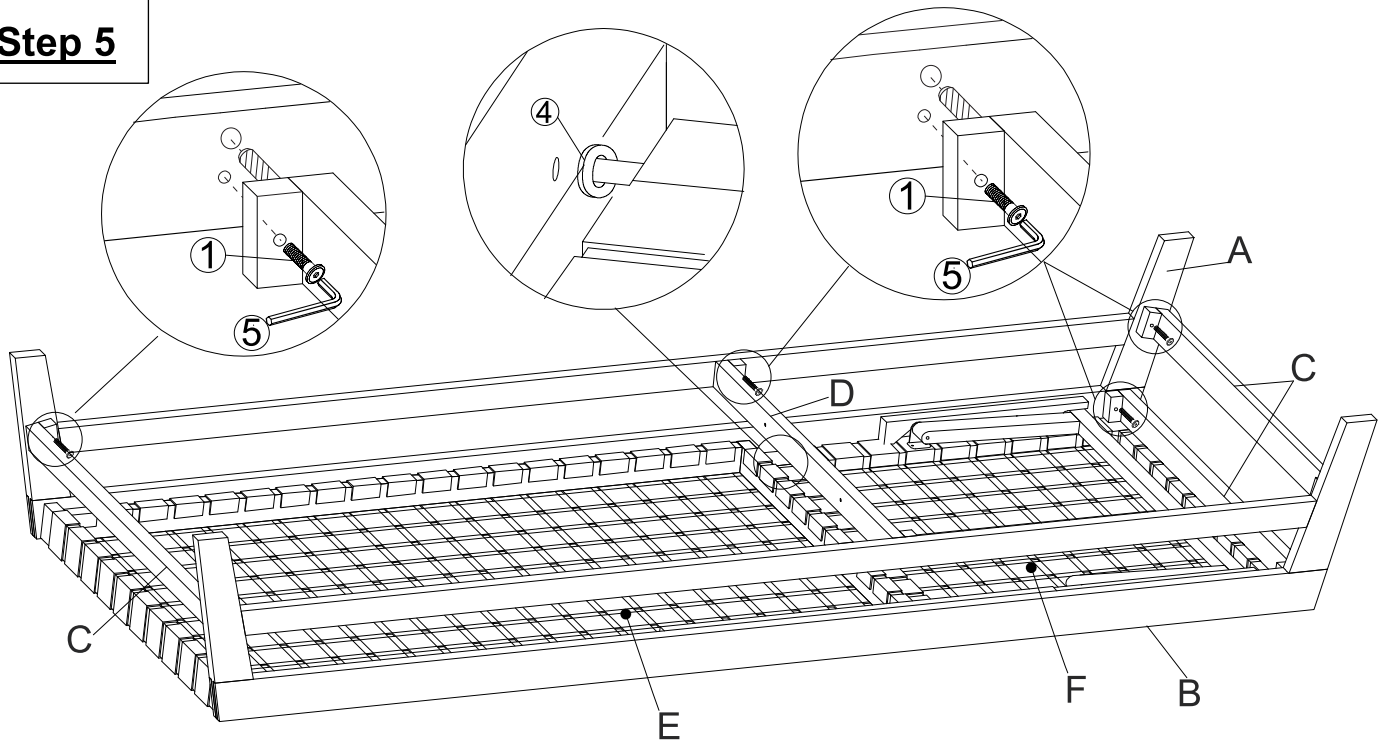
### Step 4



With assistance from your adult partners, insert Wooden Dowel on Front - Back Support ( C ) and Middle Support ( D ) into the holes on the Left Leg Panel ( B ), then use Bolts ( ① ) and Allen Wrench ( ⑤ ) to attach them together as show above picture.

**Do not fully tighten the Bolts.**

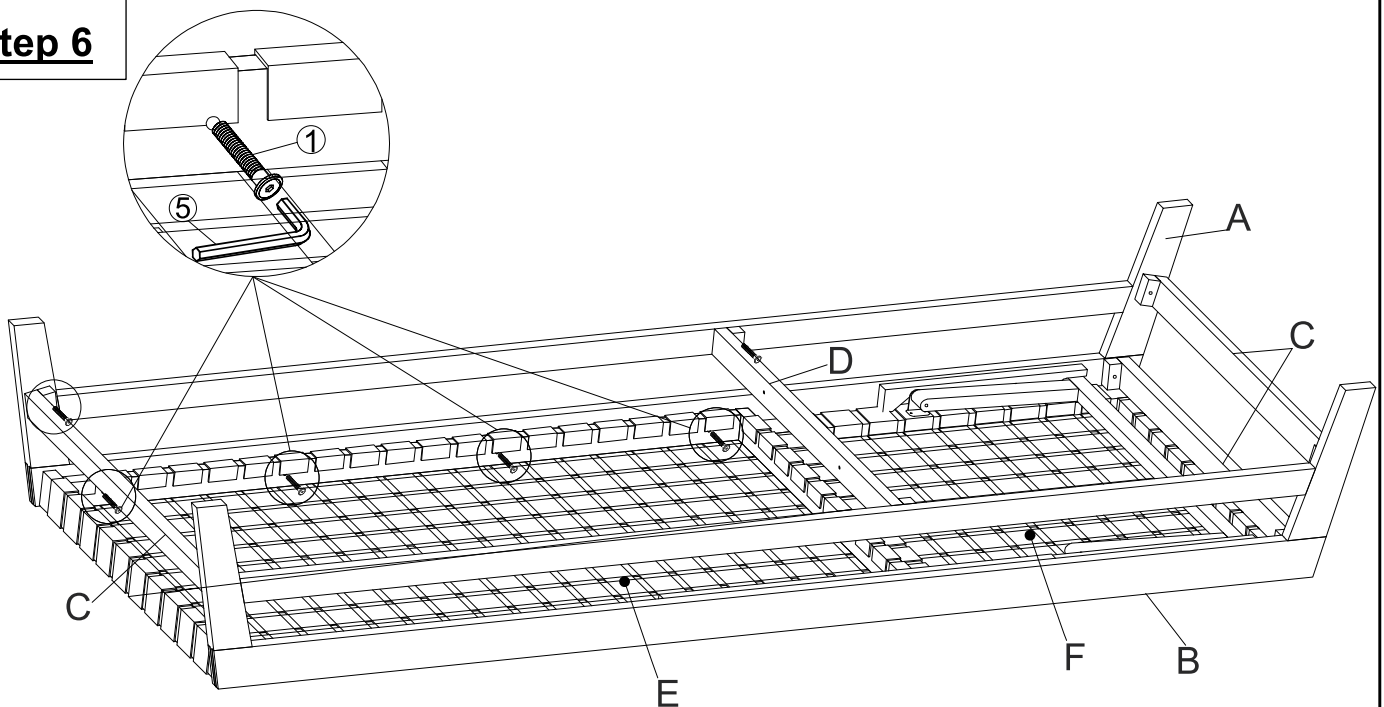
## Step 5



With assistance from your adult partners, flip pre-assemble part in Step 4 to other side.

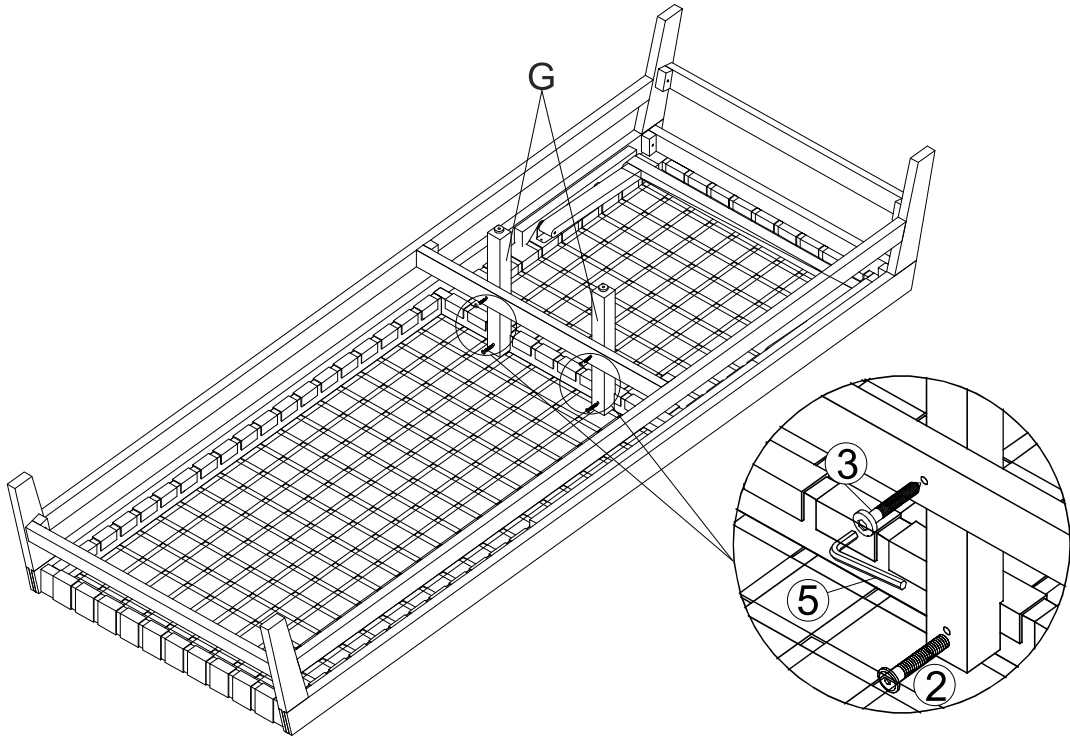
- Position the Metal Dowel Pin on Backrest Panel ( F ) To the Tenon on the Right Leg Panel ( A ) using Panel Plastic Washer ( ④ ) as shown above picture.
  - At the same time, insert Wooden Dowel on Front - Back Support ( C ) and Middle Support ( D ) into the holes on the Right Leg Panel ( A ), then use Bolts ( ① ), and Allen Wrench ( ⑤ ) to ensure them together as show above picture.
- Do not fully tighten Bolts.**

## Step 6



- Attach Seat Panel ( E ) to Right Leg Panel ( A ) using Bolt ( ① ) and Allen Wrench ( ⑤ ) as above picture.
- Do not fully tighten Bolts.**

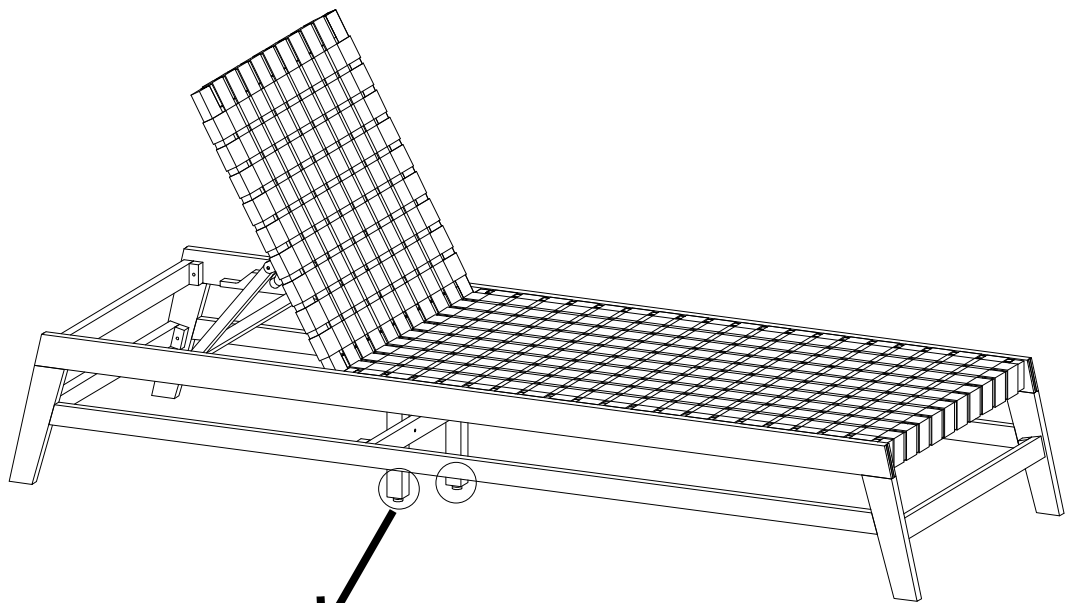
**Step 7**



Attach Middle Leg (G) onto the Middle Support (D) use Bolt (②), Screw (③) and Allen Wrench (⑤).

**Do not fully tighten the Screws and Bolts.**

**Step 8**

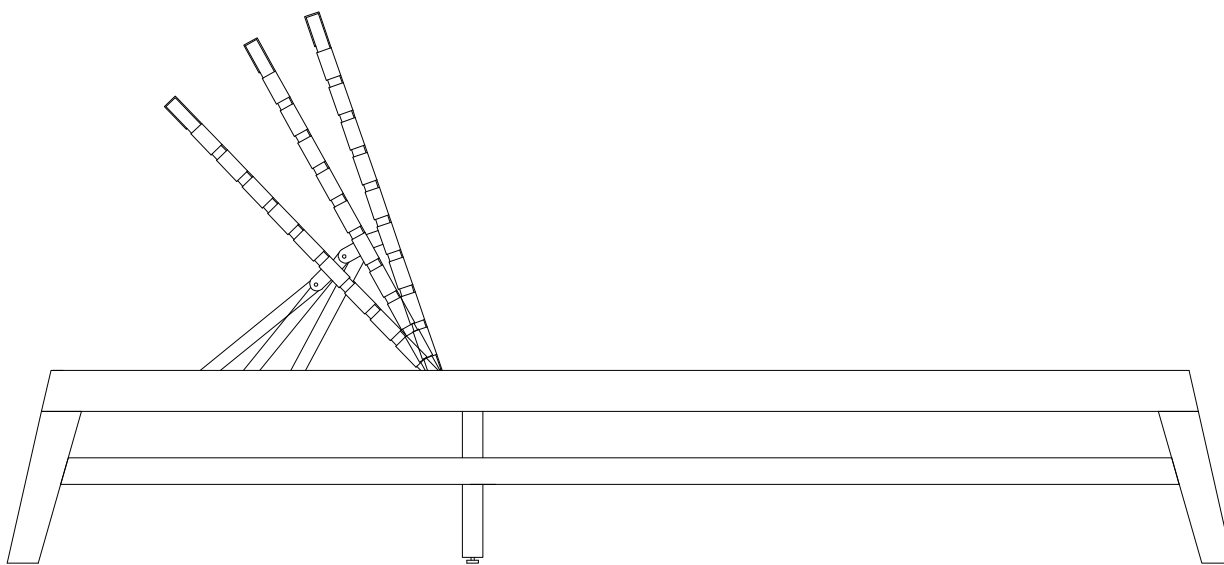


Adjust the height  
for balance

Lower to  
balance

Adjust Pre-installed

With assistance from your adult partners, turn the Lounger right side up. Check for any wobbles. In a sequential manner, gradually tighten all Bolts and Screws at all joints until evenly secured. Inspect the Lounger and make sure all parts are adequately connected. **CAUTION: When tightening the Bolts and Screws tighten sequentially. DO NOT tighten any Bolt or Screw fully and then move towards the next one. This could cause the frame to warp. If there are still wobbles, loosen the Bolts and Screws and execute the same above process.** With assistance from your adult partners, adjust the Levelers to the desired height to avoid wobbles. Your Lounger is ready for use. **This Lounger can only be used on a flat, level surface.**



The backrest of Lounger can be adjusted to different tilts.