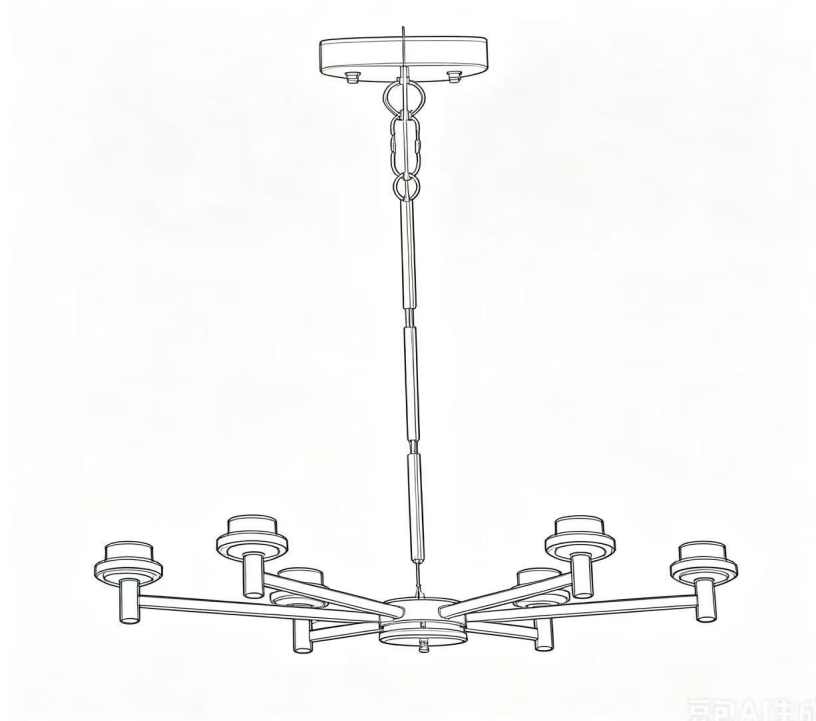


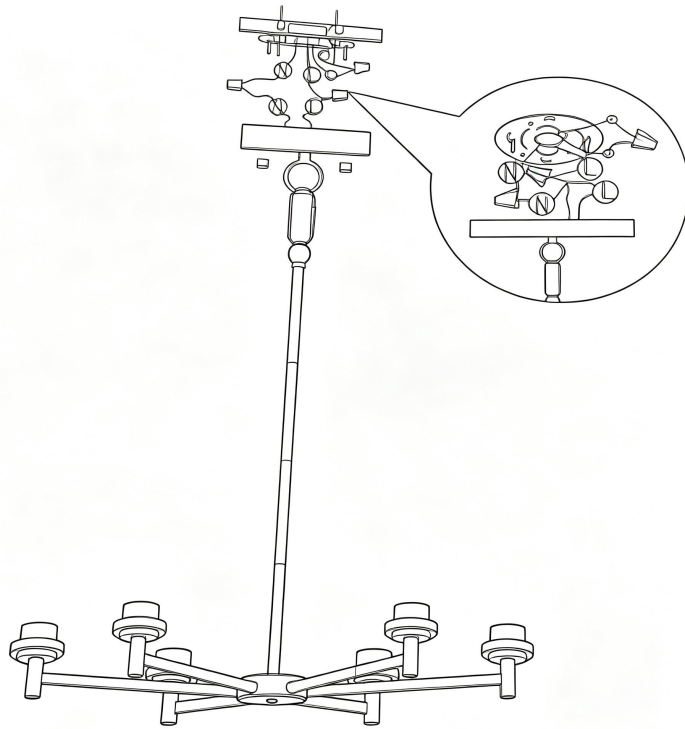
**Step 1: Mount and Wire the Lamp Heads**

1. Secure each lamp head to the circular fixture frame with the provided mounting nuts.
2. Make proper wire connections:
  - Connect the white neutral (N) wire from each lamp head to the white neutral (N) wire of the main pendant/chandelier body.
  - Connect the black hot (L) wire from each lamp head to the black hot (L) wire of the main pendant/chandelier body.



**Step 2: Hang the Main Fixture to Ceiling Mount**

Suspend the fully assembled lamp body from the ceiling mounting canopy, using the included suspension downrods and hanging iron chains.



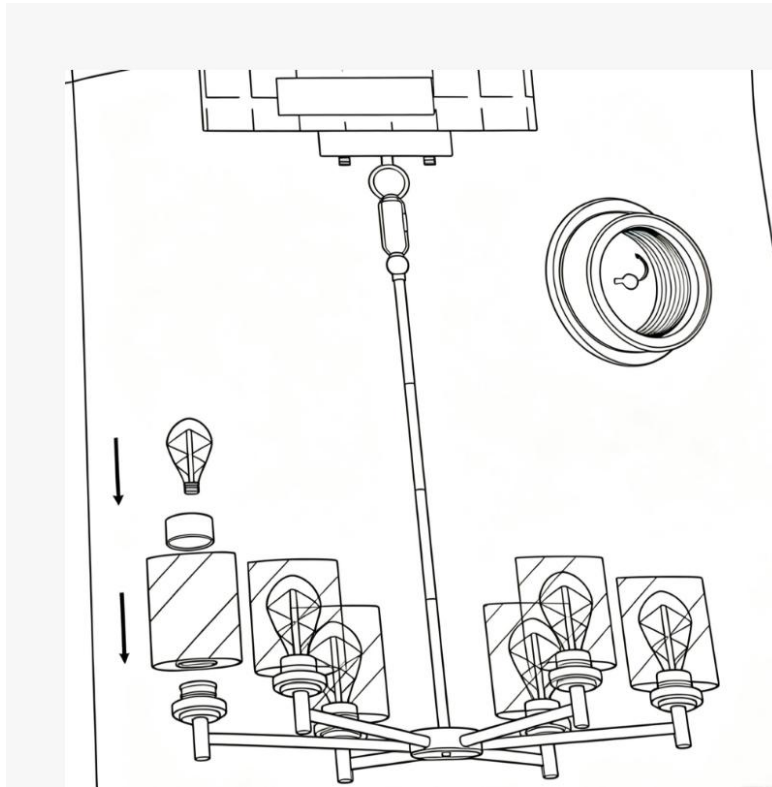
豆包AI生成

### 3. Main Household Electrical Connection

**WARNING:** Disconnect power supply at breaker before wiring to avoid electric shock.

Connect fixture wires to indoor household wires accordingly:

- Fixture Live Wire (L) → Indoor Live Wire
- Fixture Neutral Wire (N) → Indoor Neutral Wire
- Fixture Ground Wire (E) → Indoor Ground Wire



#### 4. Install Glass Shades & Bulbs

Mount the glass lampshades onto each lamp socket.

Install standard E26 light bulbs (Light bulb NOT included in package).

Your ceiling chandelier installation is now fully completed.

#### Troubleshooting Tips

If the fixture does NOT illuminate after full wiring and bulb installation:

1. Confirm you have installed compatible E26 base light bulbs
2. Ensure the main power is completely disconnected before any inspection
3. Gently lift up the internal contact tab inside the lamp socket to ensure full bulb contact