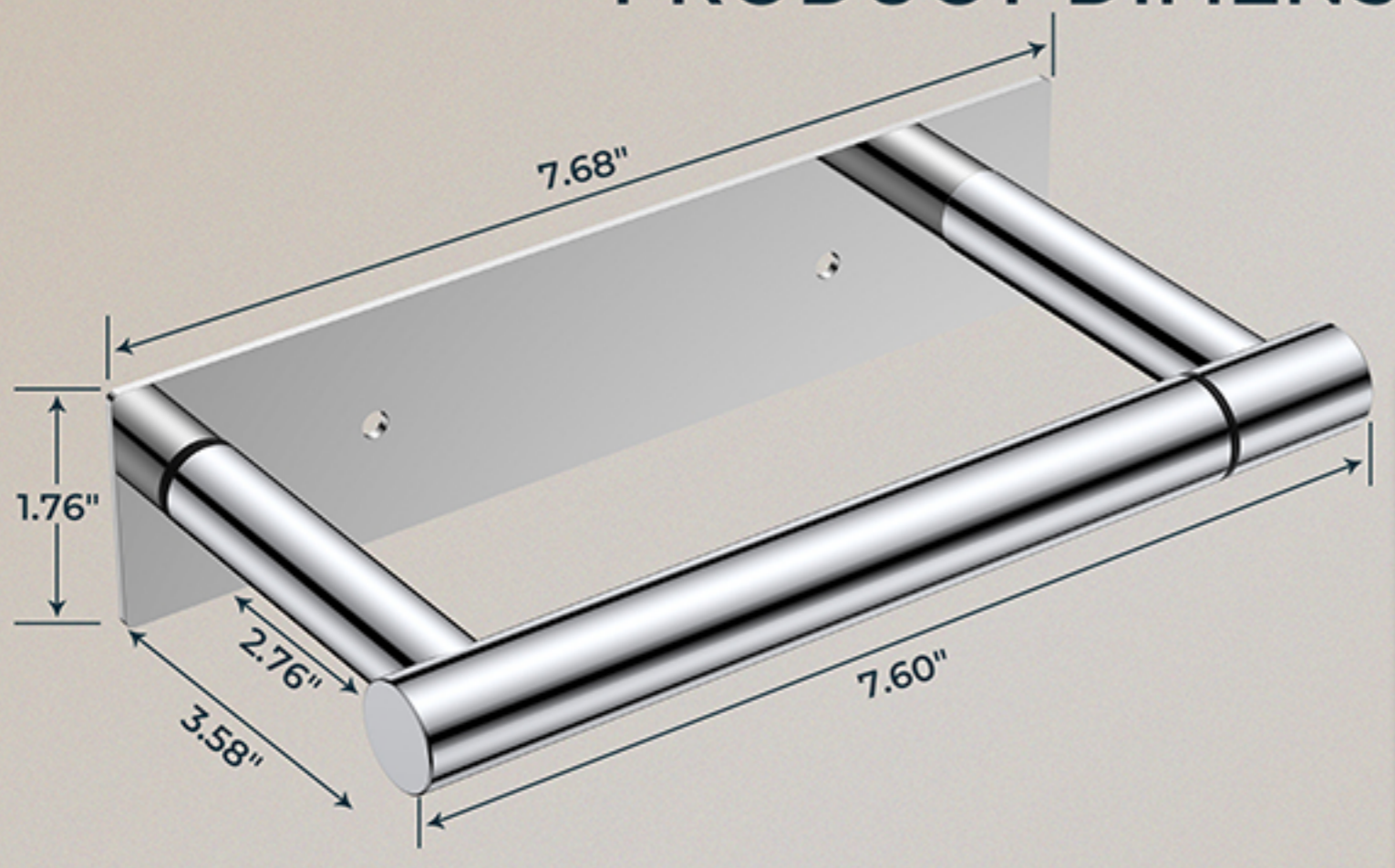
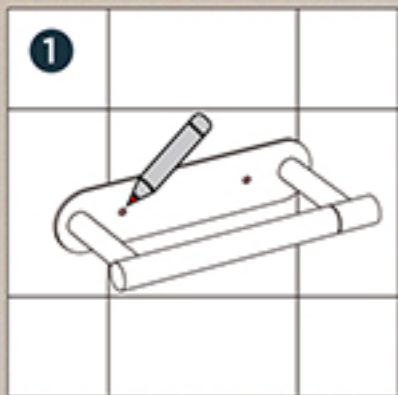


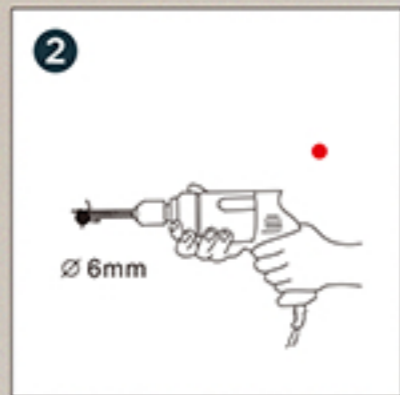
PRODUCT DIMENSIONS



Fit Rolls:



1. Press the toilet paper holder horizontally on the wall and mark the drilling position with a pencil



2. Use a 6MM drill bit to drill holes at the marked positions

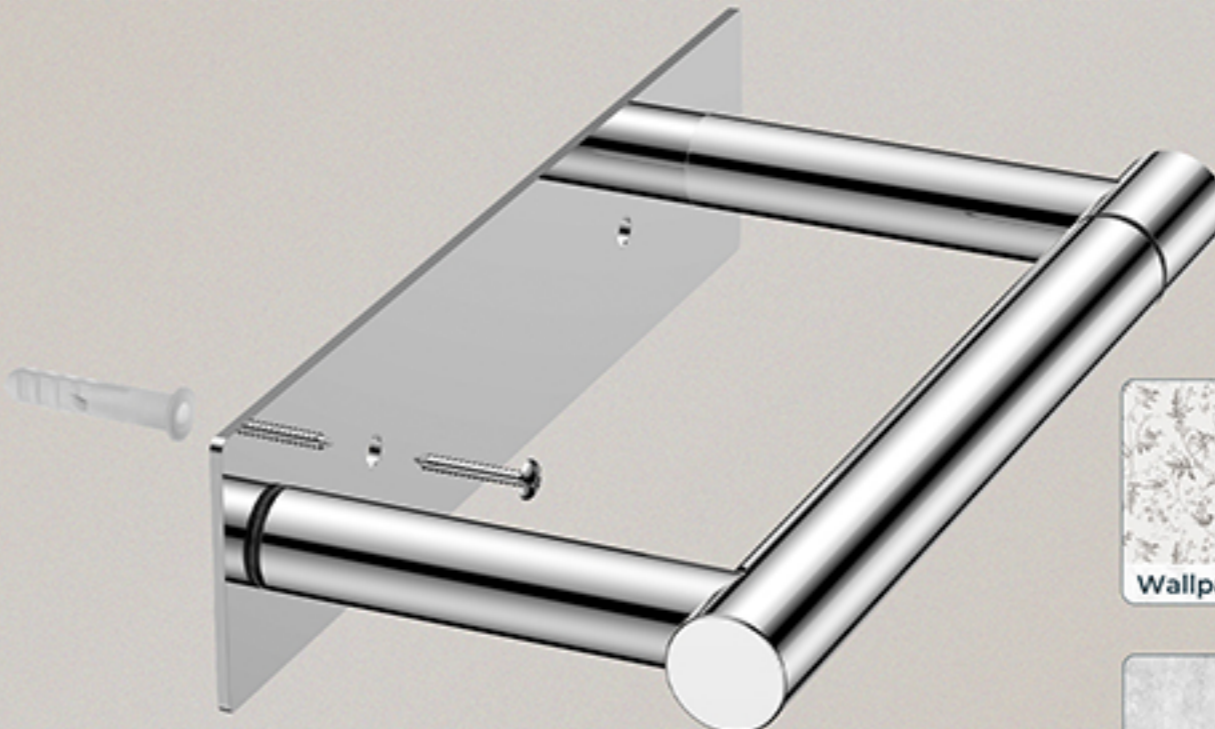


3. Knock 2 expansion screws into the wall and place the toilet paper holder on the marked position



4. Install the long screws into the holes

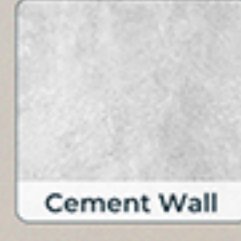
FOR THE ROUGH SURFACE-LONG SCREWS



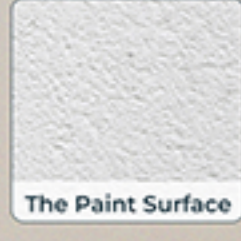
Wallpaper Wall



Plaster Wall



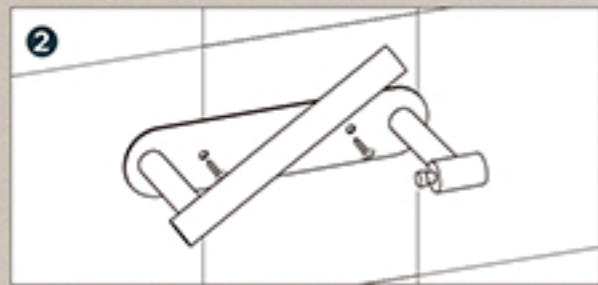
Cement Wall



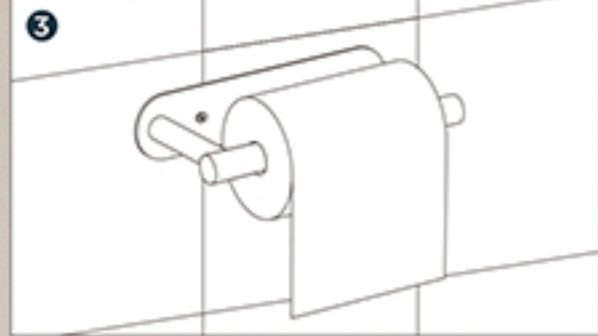
The Paint Surface



1. Press the paper towel holder horizontally against the wall and mark the drilling position with a pencil

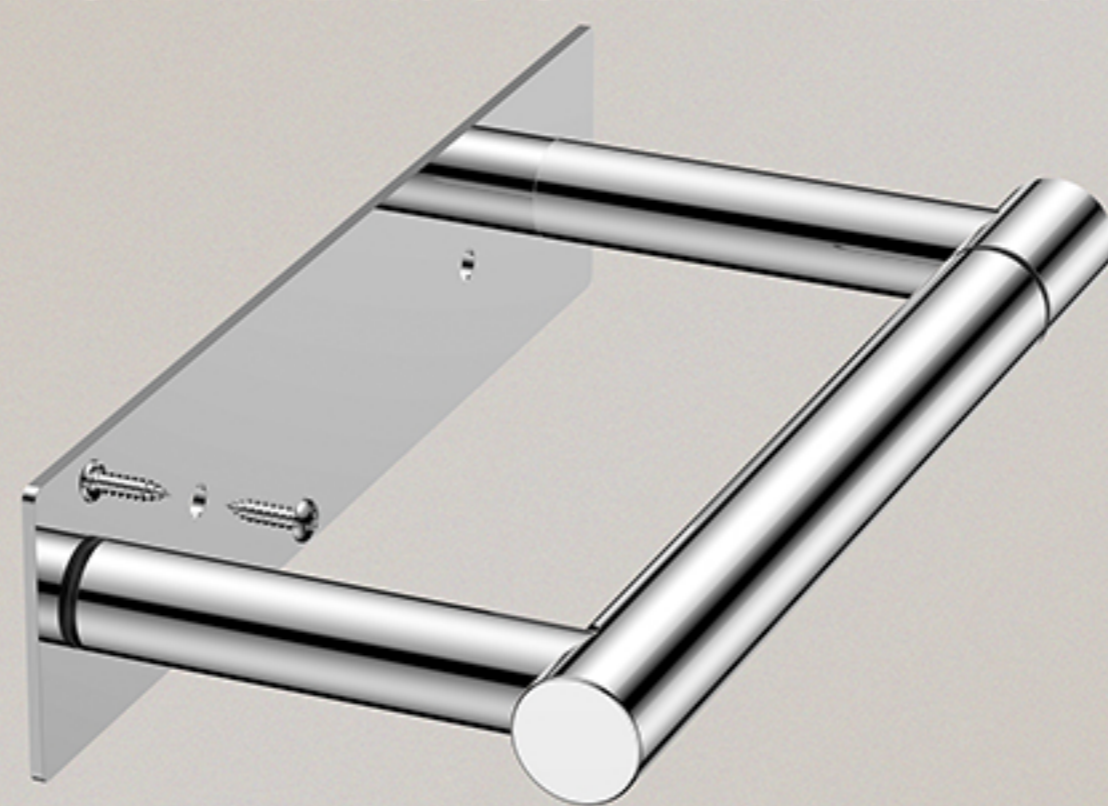


2. Install 2 short screws into the holes



3. Now you can use the paper towel holder

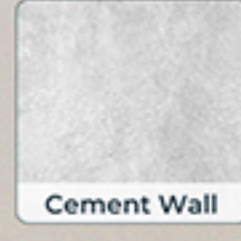
FOR THE WOODEN WALL-SHORT SCREWS



Wallpaper Wall



Plaster Wall



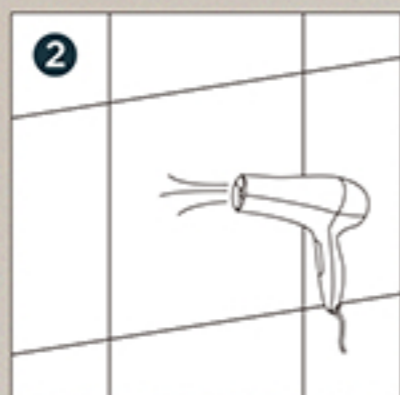
Cement Wall



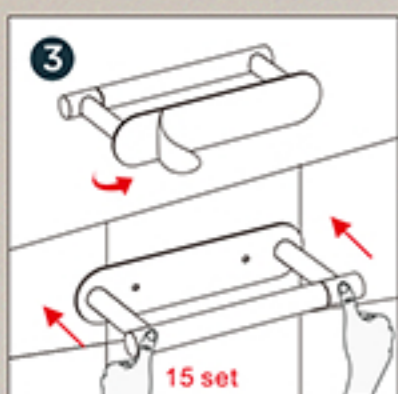
The Paint Surface



1. Clean the location surface where you want to paste it.



2. Dryer the location surface where you cleaned with a hair dryer.



3. Tear off the 3M adhesive and press the paper towel holder firmly against the wall for 15 seconds.



4. For optimal firmness, it is best to wait 24 hours before use.

ADHESIVE FOR THE SMOOTH SURFACE



Marble



Smooth Wood



Smooth Metal



Glass

Note: It is not recommended to install with adhesive only. It is recommended to install with screws simultaneously.