

## NOTICE

- \* Please make sure that you have all parts indicated and they are in good condition before you begin assembly of this item. Refer to part list and hardware list below for guidance.
- \* This item should be assembled on a soft surface to prevent scratching the finish during assembly.
- \* This item may require periodic tightening.
- \* If you are having difficulty, our friendly Customer Care team is always here to help. Please email [customersupport@safavieh.com](mailto:customersupport@safavieh.com)







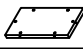



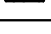

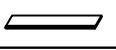
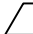
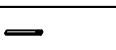
## PREPARATION

- \* Before beginning assembly of product, make sure all parts are present. Compare parts with part contents list and hardware contents list.
- \* If any part is missing or damaged, do not attempt to assemble the product.
- \* Estimated Assembly Time: 60 minutes; Needed for Assembly: 2 People.
- \* Tools Required for Assembly : Allen Key (included), Phillips screwdriver (not included)

## CARE AND MAINTENANCE

Adhesive felt pads should always be applied to areas of furniture which make direct contact with flooring, said application will prevent damage to the furniture and or surfaces on which the furniture lies. Objects placed on articles of furniture should rest on non abrasive material as to prevent damage to the wood finish. Objects whose composition consists of plastic and rubber are known to discolor and damage the wood surfaces on which they rest. Wipe up spills immediately and avoid common hazards such as hot dishes, harsh solvents and abrasives. Cleaning should be done with a soft lint free cotton cloth dampened with water or furniture polish. On highly used surfaces we recommend applying a quality paste wax which should be used on a regular basis to provide additional protection from scratches and spills. How often you apply the wax depends on how much wear the furniture receives.

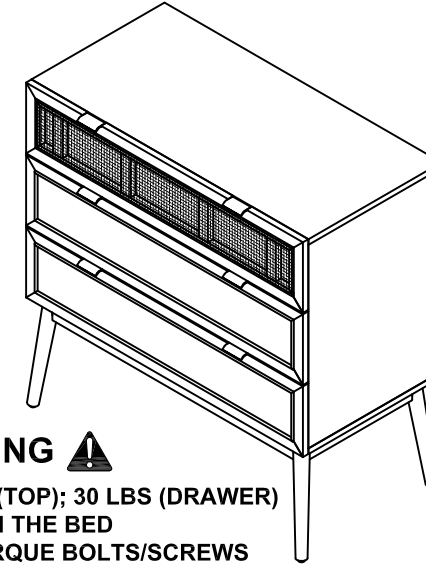
## Part List and Hardware List

PIECE	DESCRIPTION	PICTURE	QUANTITY
A	TOP PANEL		1X
B	LEFT PANEL		1X
C	RIGHT PANEL		1X
D	FRAME		2X
E	BOTTOM ASSEMBLY		1X
F	SIDE BACK PANEL		2X
G	CENTER BACK PANEL		1X
H	LEG		4X
I	UPPER DRAWER FRONT		1X
J	DRAWER LEFT		3X
K	DRAWER RIGHT		3X
L	DRAWER BACK		3X
M	DRAWER BASE		3X
N	DRAWER SUPPORT		3X
O	LOWER DRAWER FRONT		2X

# SAFAVIEH FURNITURE

Model# CHS5000






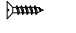





Product Dimensions: 36"W x 18"D x 36"H



**WARNING**

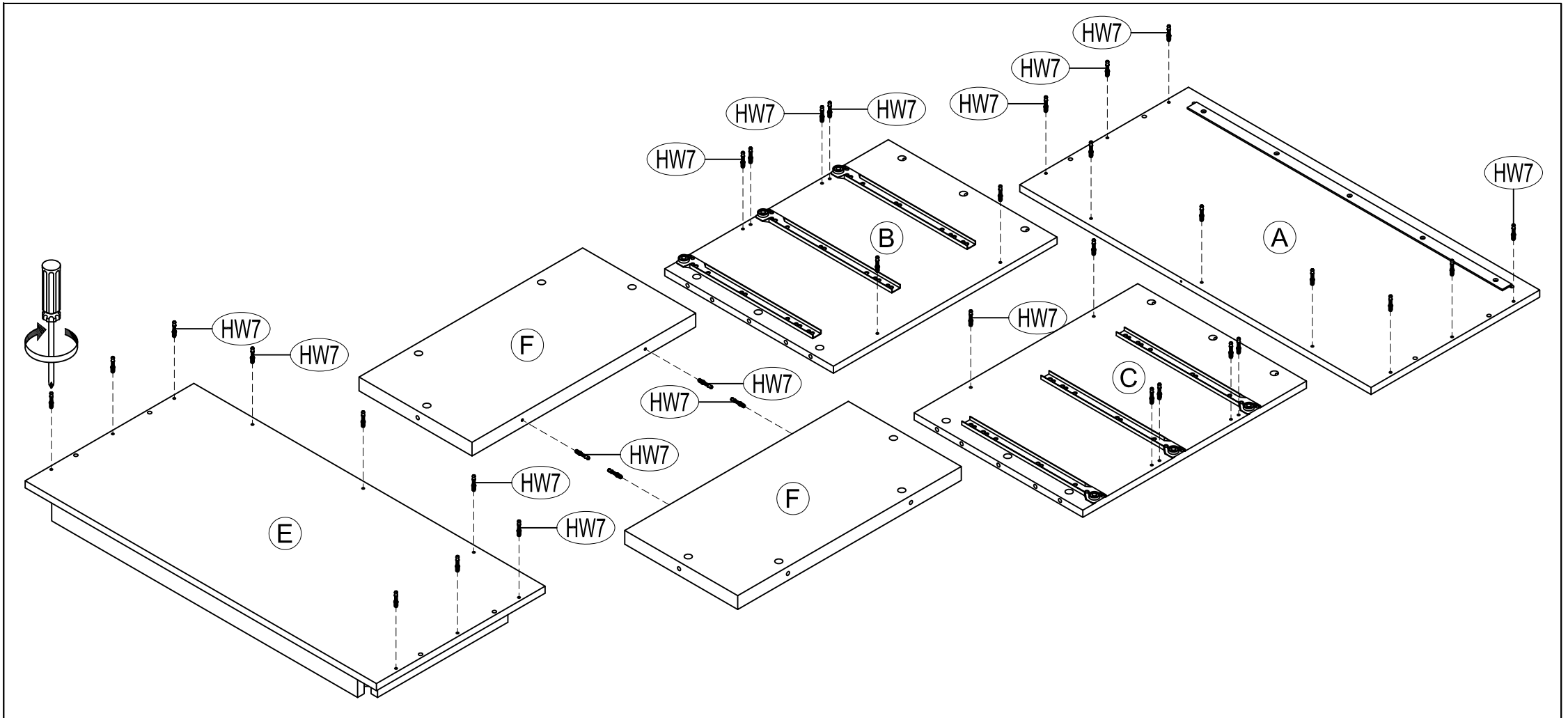


**WEIGHT CAPACITY : 110 LBS (TOP); 30 LBS (DRAWER)**  
**WARNING: DO NOT STAND ON THE BED**  
**WARNING: DO NOT OVER TORQUE BOLTS/SCREWS**

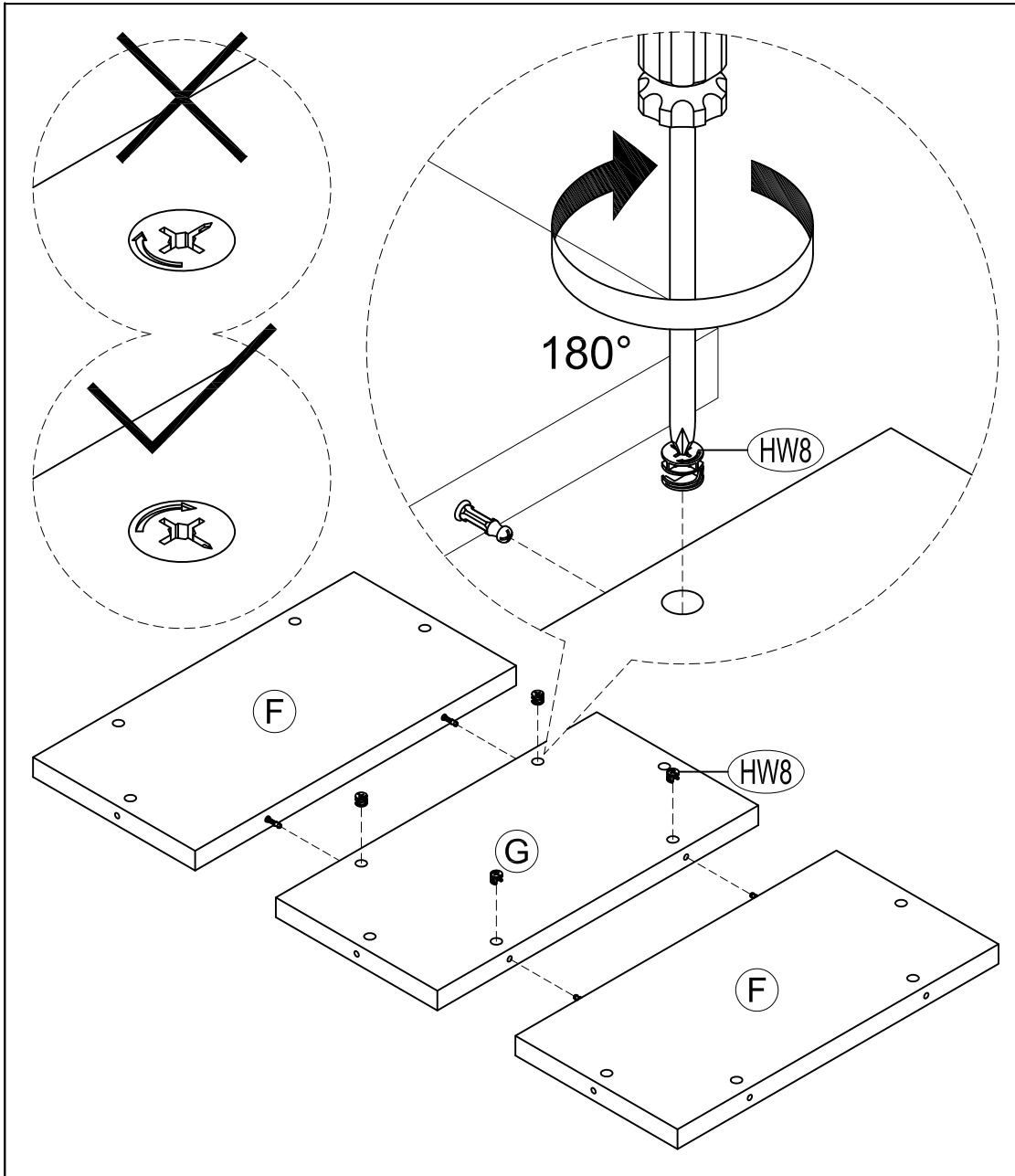
PIECE	DESCRIPTION	PICTURE	QUANTITY
HW1	BOLT 6 x 1 x 65 MM		8X
HW2	SPRING WASHER		8X
HW3	FLAT WASHER		8X
HW4	FLAT HEAD SCREW 3 x 1 x 32 MM		33X
HW5	FLAT HEAD SCREW 3 x 1 x 19 MM		18X
HW6	FLAT HEAD SCREW 3 x 1 x 13 MM		12X
HW7	CAMBOLT		34X
HW8	CAMLOCK		34X
HW9	HANDLE		6X
HW10	DOWEL		8X
HW11	ALLEN KEY		1X

## PREPARATION

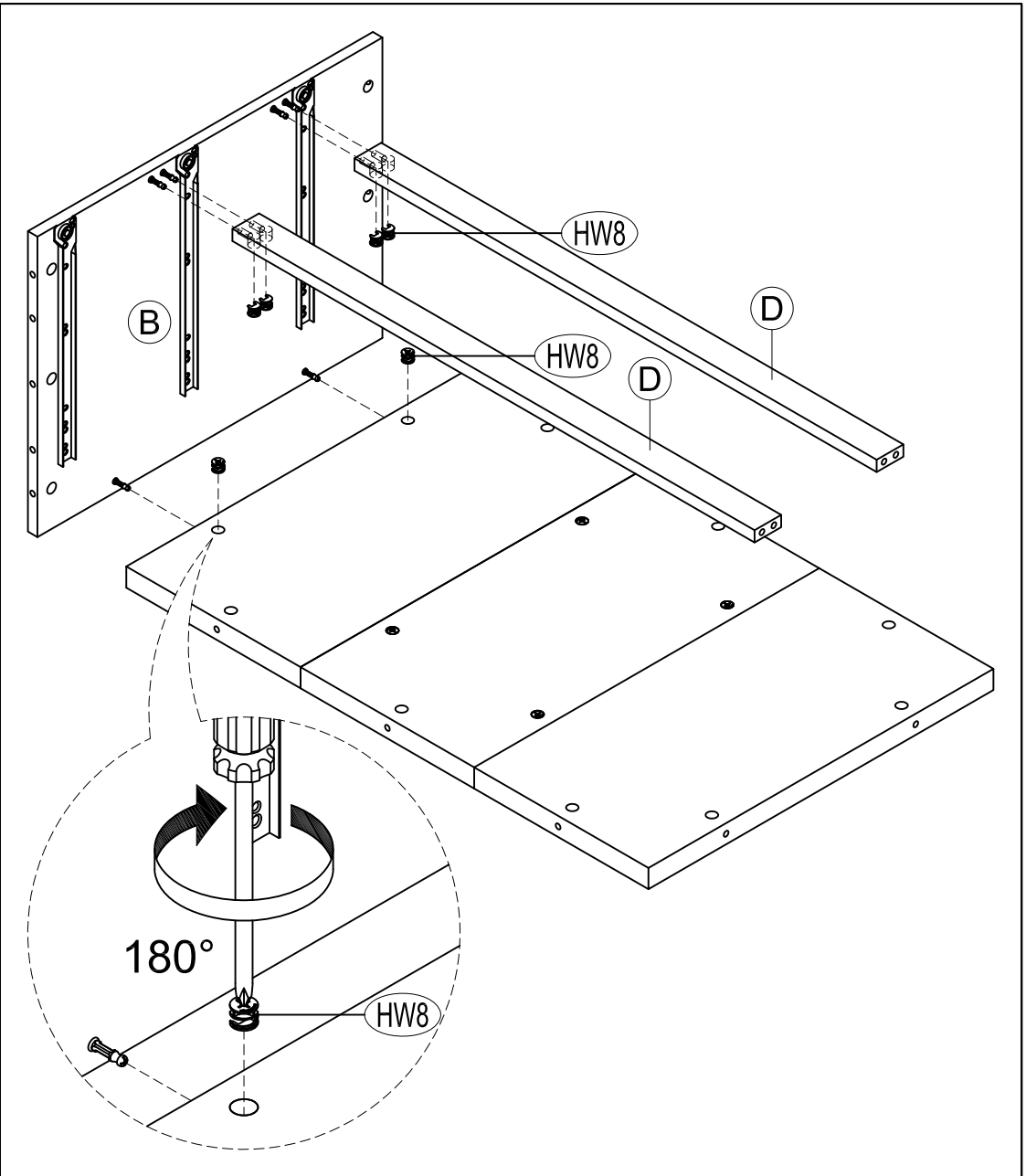
- \* Before beginning assembly of product, make sure all parts are present. Compare parts with part contents list and hardware contents list.
- \* If any part is missing or damaged, do not attempt to assemble the product.
- \* Estimated Assembly Time: 60 minutes; Needed for Assembly: 2 People.
- \* Tools Required for Assembly : Allen Key (included), Phillips screwdriver (not included)
- \* If you are having difficulty, our friendly Customer Care team is always here to help. Please email [customersupport@safavieh.com](mailto:customersupport@safavieh.com)



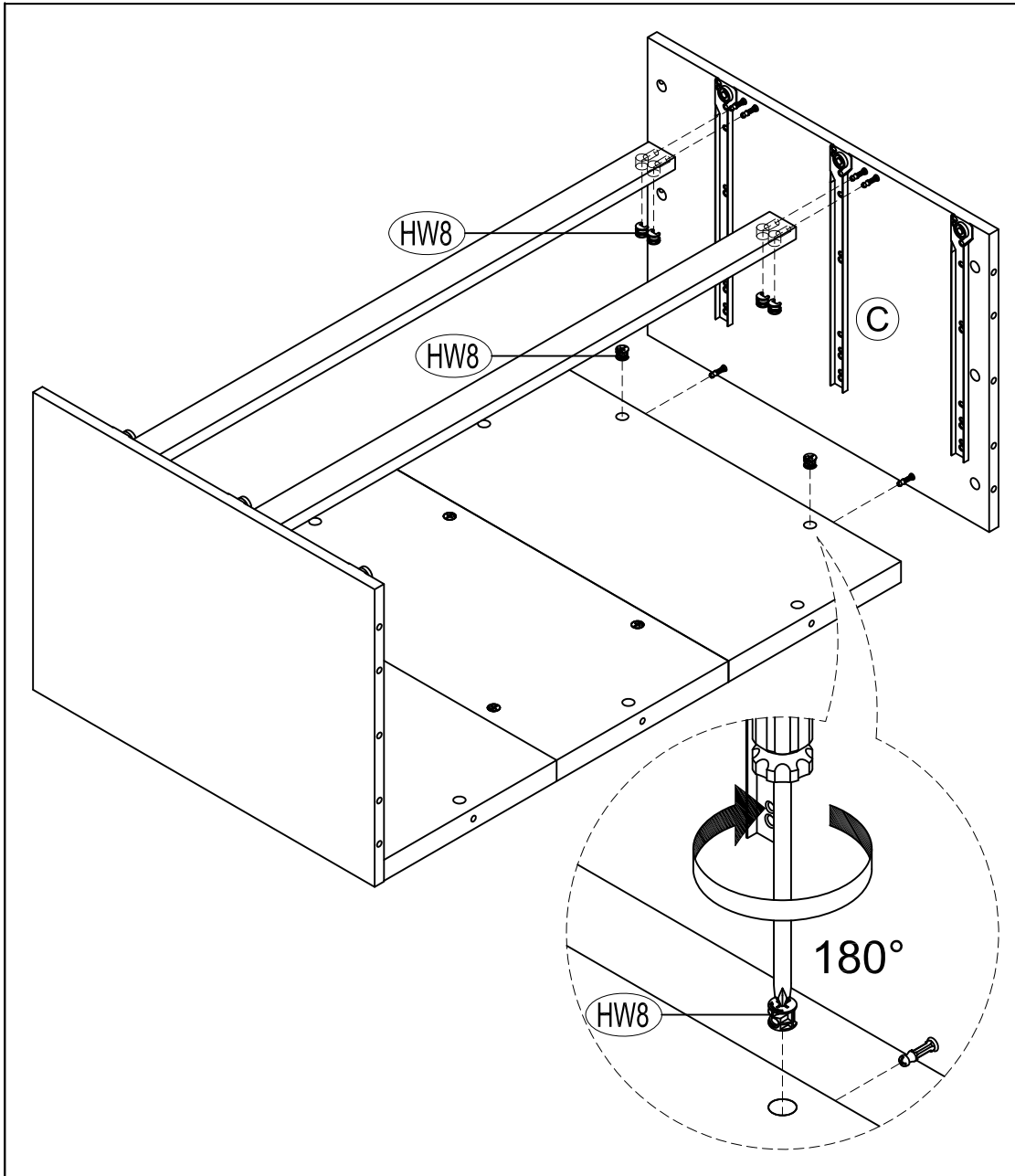
**STEP 1** ATTACH 34 CAMBOLTS (HW7) TO TOP PANEL (A), LEFT PANEL (B), RIGHT PANEL (C), BOTTOM ASSEMBLY (E) AND SIDE BACK PANELS (F).



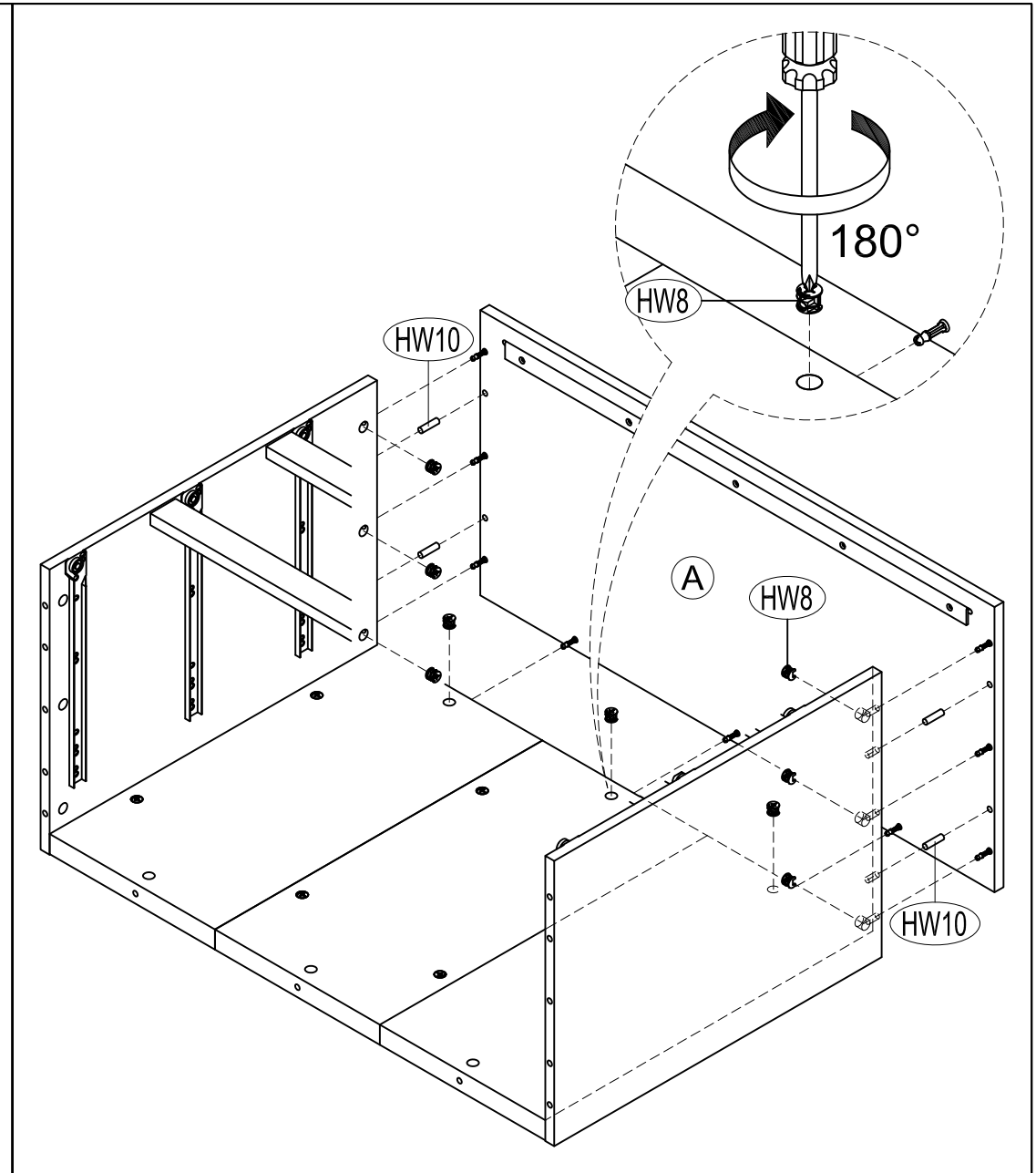
**STEP 2** ATTACH 2 SIDE BACK PANELS (F) TO CENTER BACK PANEL (G) USING 4 CAMLOCKS (HW8).



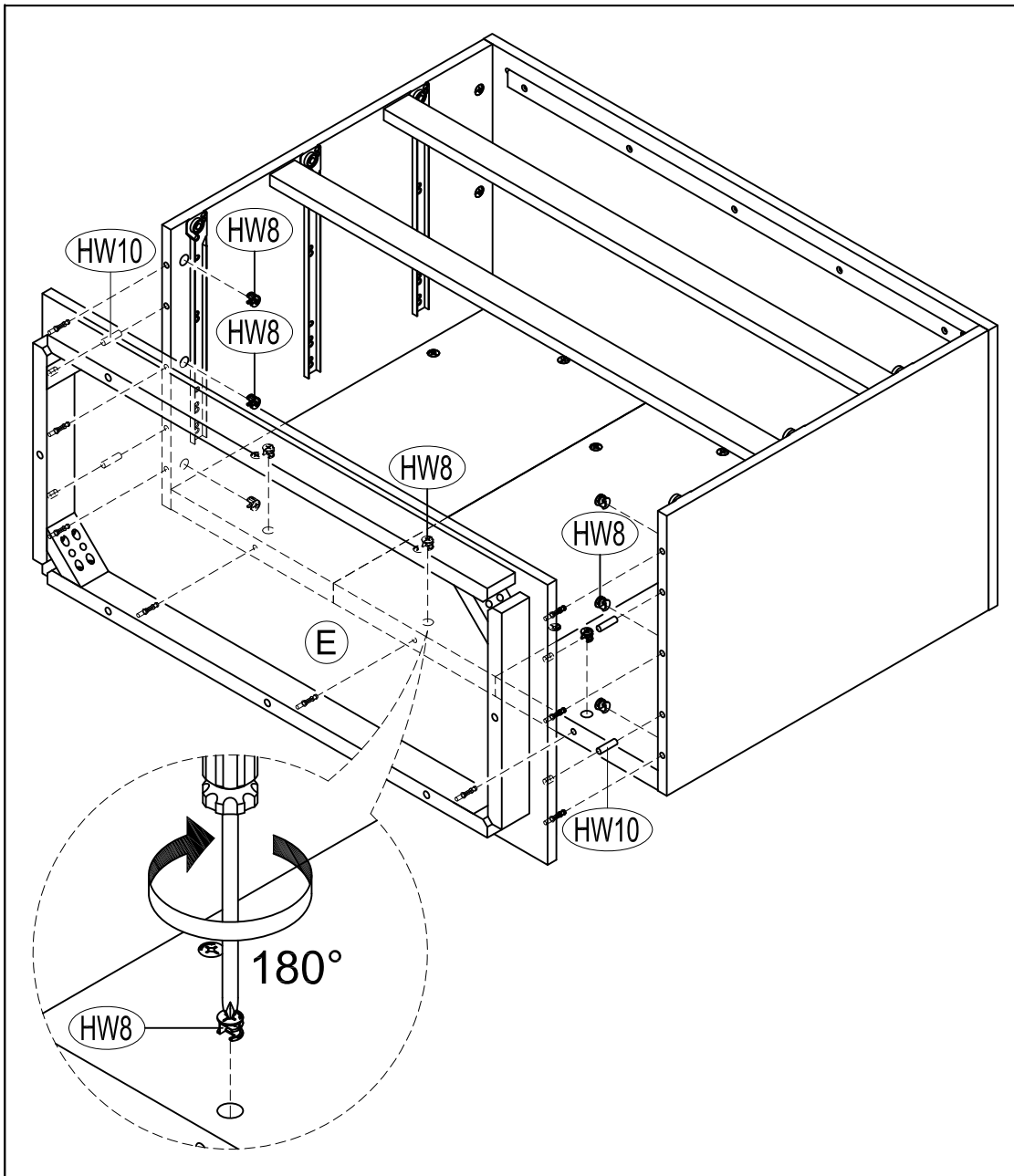
**STEP 3** ATTACH LEFT PANEL (B) TO UNIT USING 2 CAMLOCKS (HW8). ATTACH 2 FRAMES (D) TO LEFT PANEL (B) USING 4 CAMLOCKS (HW8).



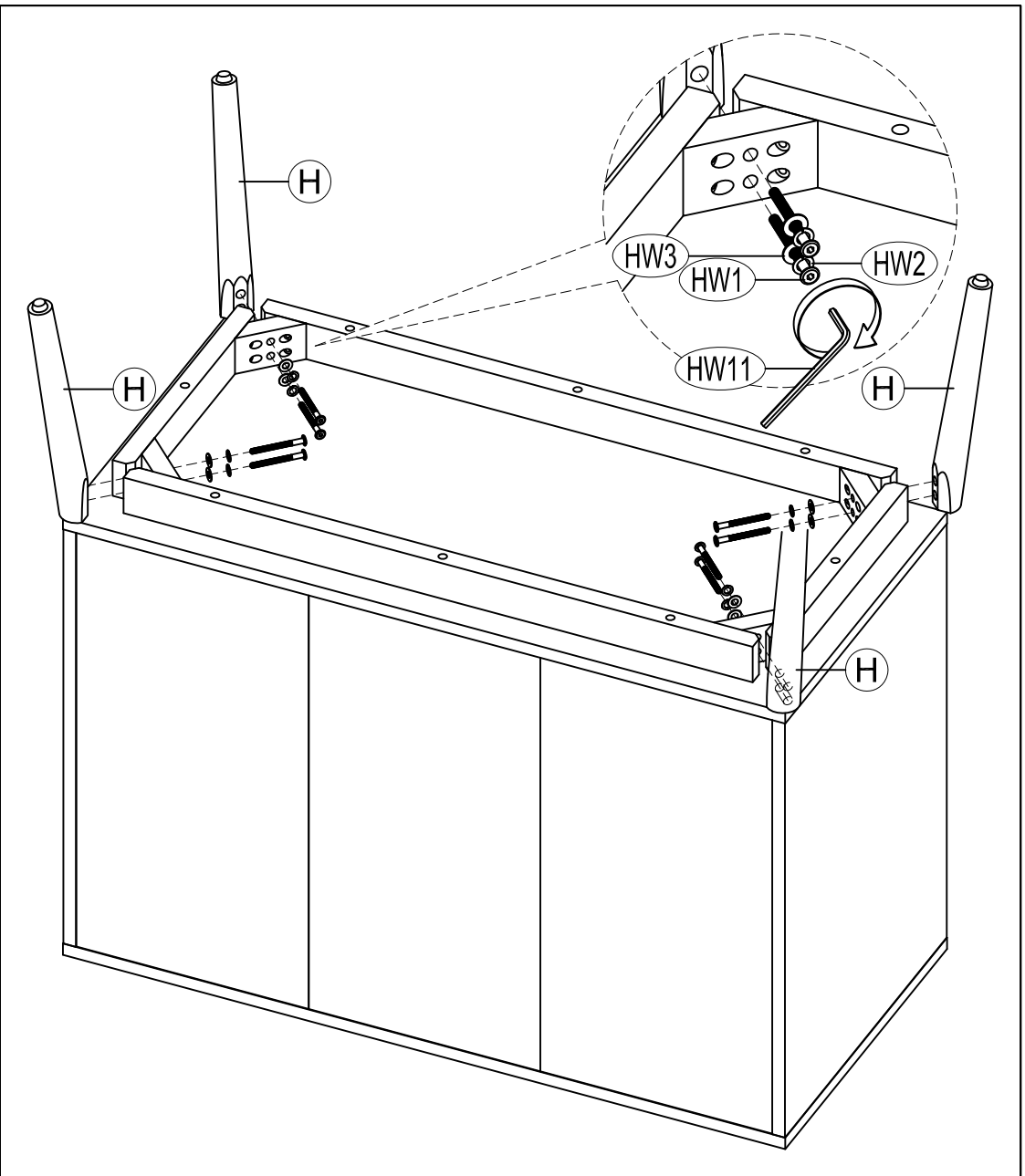
**STEP 4** ATTACH RIGHT PANEL (C) TO UNIT USING 6 CAMLOCKS (HW8).



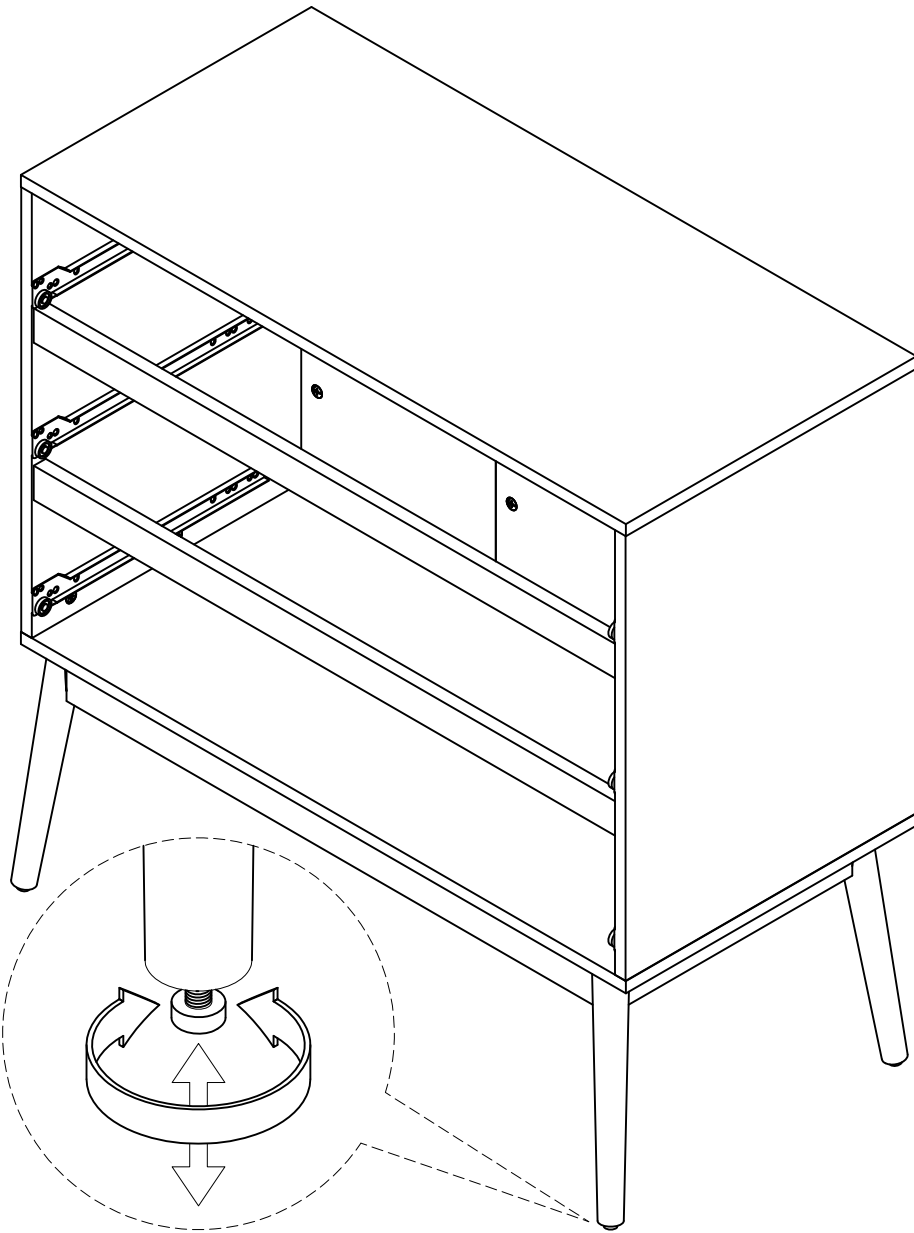
**STEP 5** ATTACH TOP PANEL (A) TO UNIT USING 9 CAMLOCKS (HW8) AND 4 DOWELS (HW10).



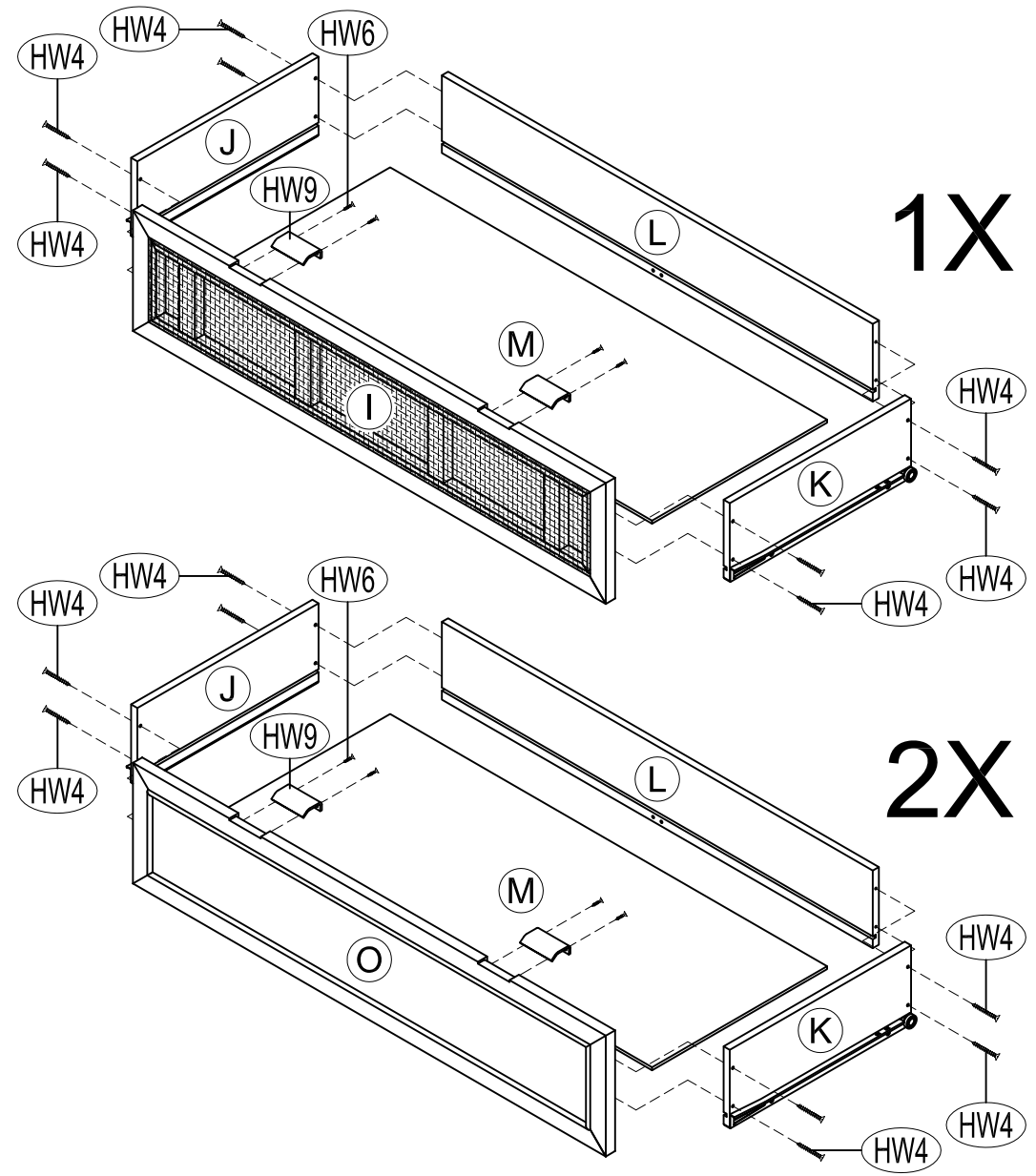
**STEP 6** ATTACH BOTTOM ASSEMBLY (E) TO UNIT USING 9 CAMLOCKS (HW8) AND 4 DOWELS (HW10).



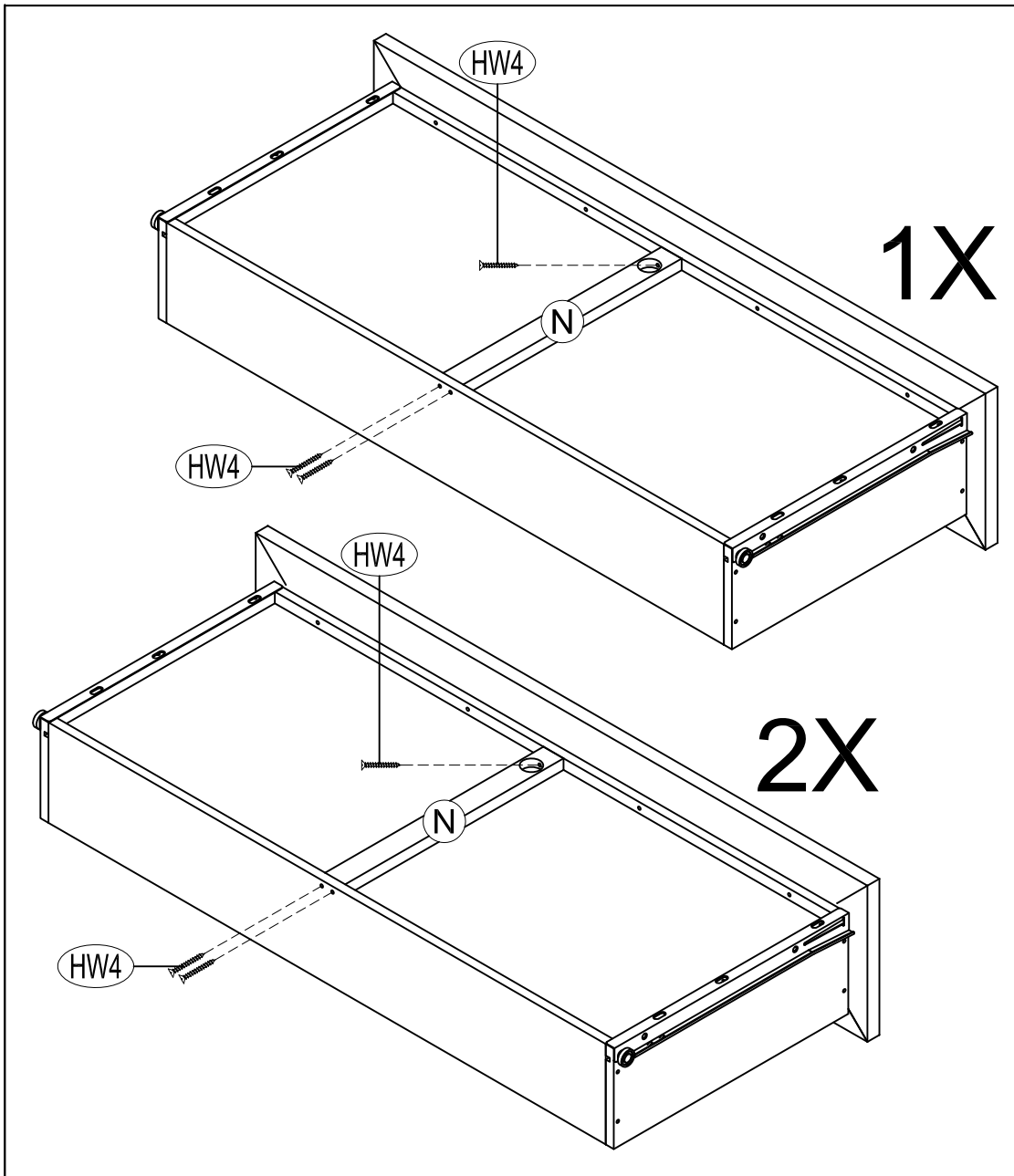
**STEP 7** ATTACH 4 LEGS (H) TO UNIT USING 8 BOLTS 65 MM (HW1), 8 SPRING WASHERS (HW2) AND 8 FLAT WASHERS (HW3). TIGHTEN BOLTS USING ALLEN KEY (HW11).



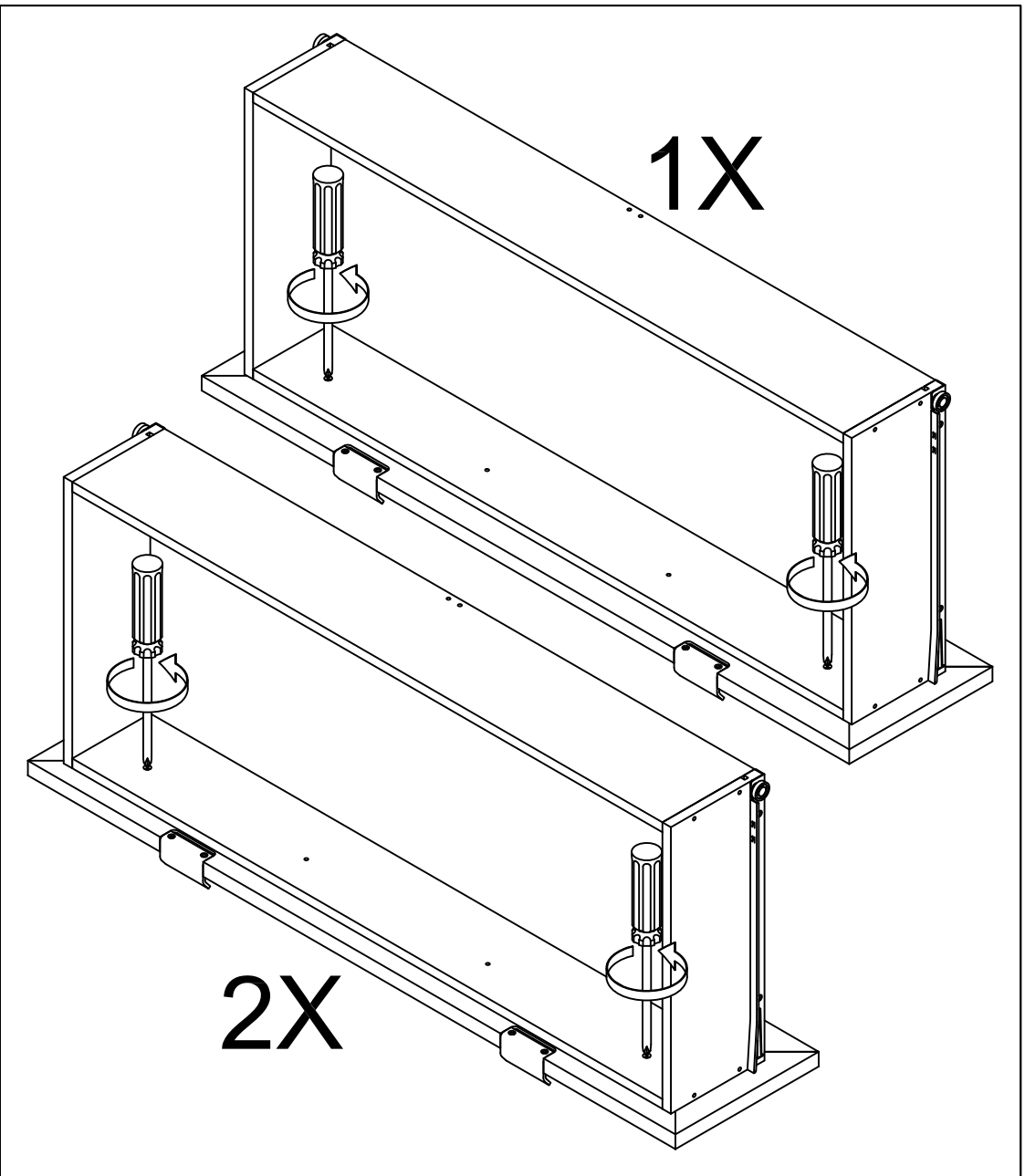
**STEP 8** ADJUST THE ADJUSTER THAT HAS ALREADY BEEN ASSEMBLED TO THE LEGS TO STABILIZE YOUR UNIT.



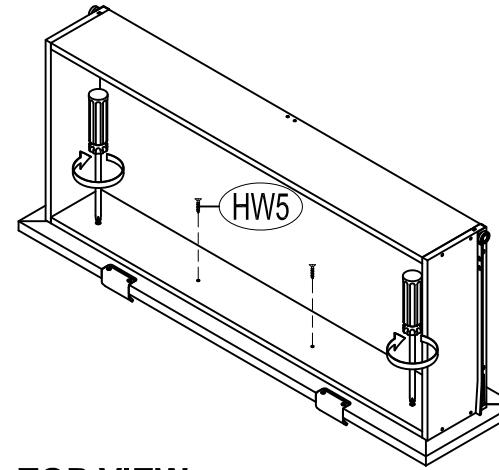
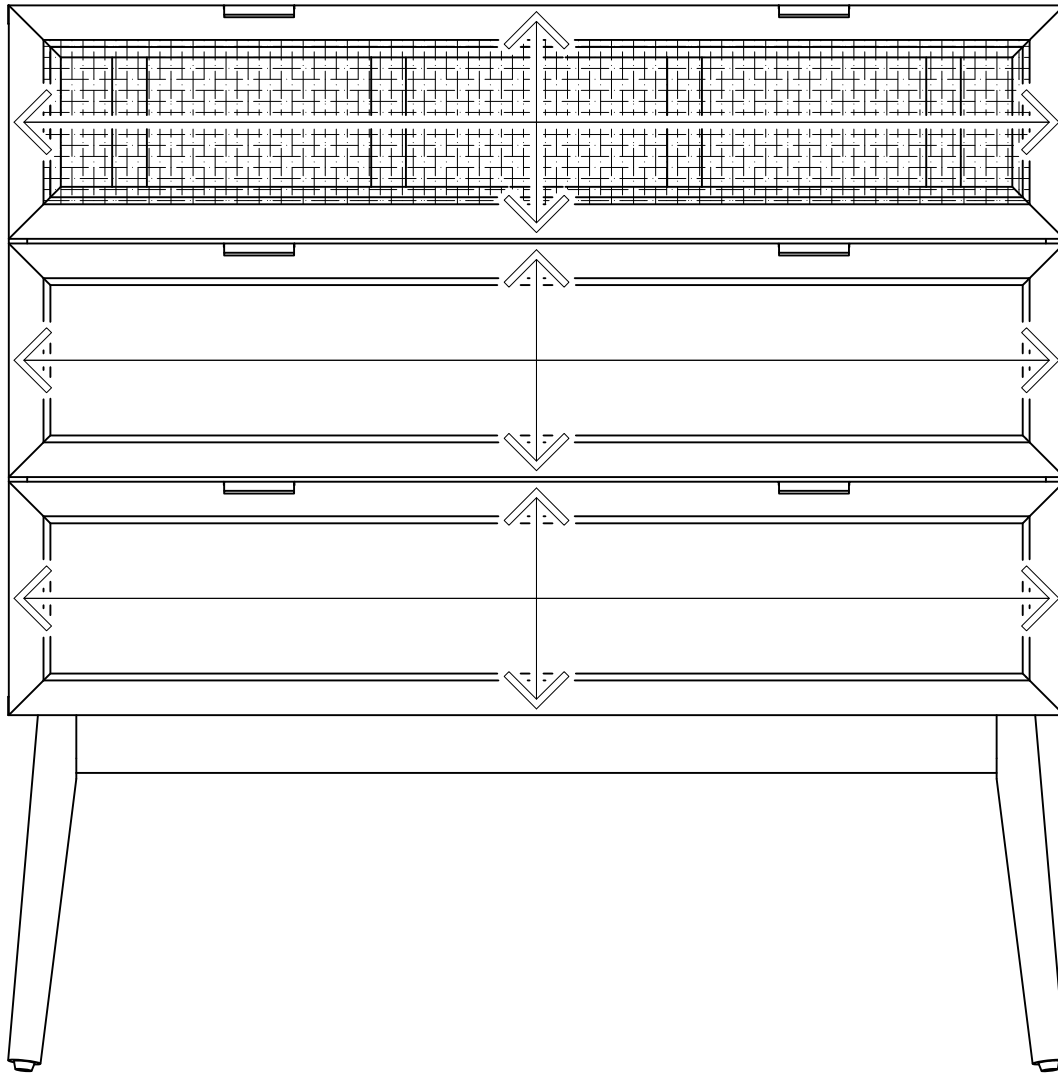
**STEP 9** ATTACH 6 HANDLES (HW9) TO UPPER AND 2 LOWER DRAWER FRONT (I) AND (O) USING 12 FLAT HEAD SCREWS 13 MM (HW6). ATTACH 3 DRAWER LEFT (J) AND 3 DRAWER RIGHT (K) TO 3 DRAWER BACK (L) USING 12 FLAT HEAD SCREWS 32 MM (HW4). SLIDE 3 DRAWER BASE (M) INTO THE GROOVE. ATTACH UPPER AND 2 LOWER DRAWER FRONT (I) AND (O) TO 3 DRAWER LEFT (J) AND 3 DRAWER RIGHT (K) USING 12 FLAT HEAD SCREWS 32 MM (HW4).



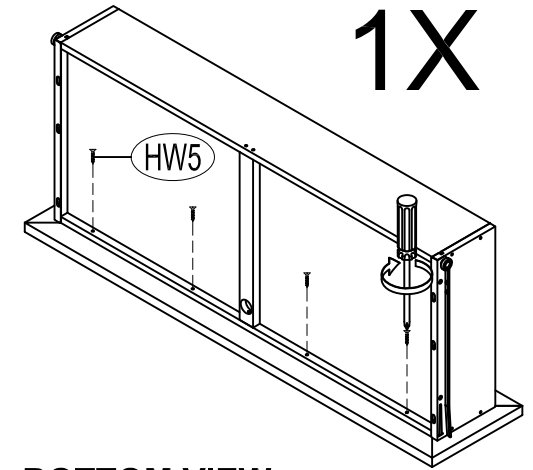
**STEP 10** ATTACH 3 DRAWER SUPPORTS (N) TO THE BOTTOM SIDE OF 3 DRAWERS USING 9 FLAT HEAD SCREWS 32 MM (HW4).



**STEP 11** LOOSEN SLIGHTLY THE SCREWS PRE-INSTALLED ON THE BACK OF THE UPPER AND 2 LOWER DRAWER FRONTS.

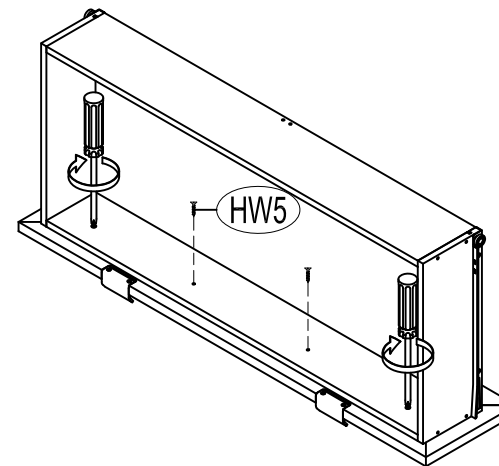


**TOP VIEW**

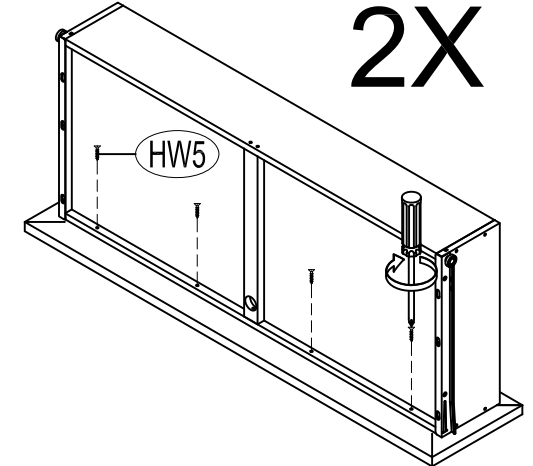


**BOTTOM VIEW**

**STEP 13** PULL THE UPPER DRAWER OPEN SLOWLY AND RE-TIGHTEN THE SCREWS FROM STEP 11. MAKE SURE THE FRONT PANEL DOES NOT MOVE AND LOCK THE UPPER DRAWER FRONT PANEL INTO POSITION WITH 6 FLAT HEAD SCREWS 19 MM (HW5).



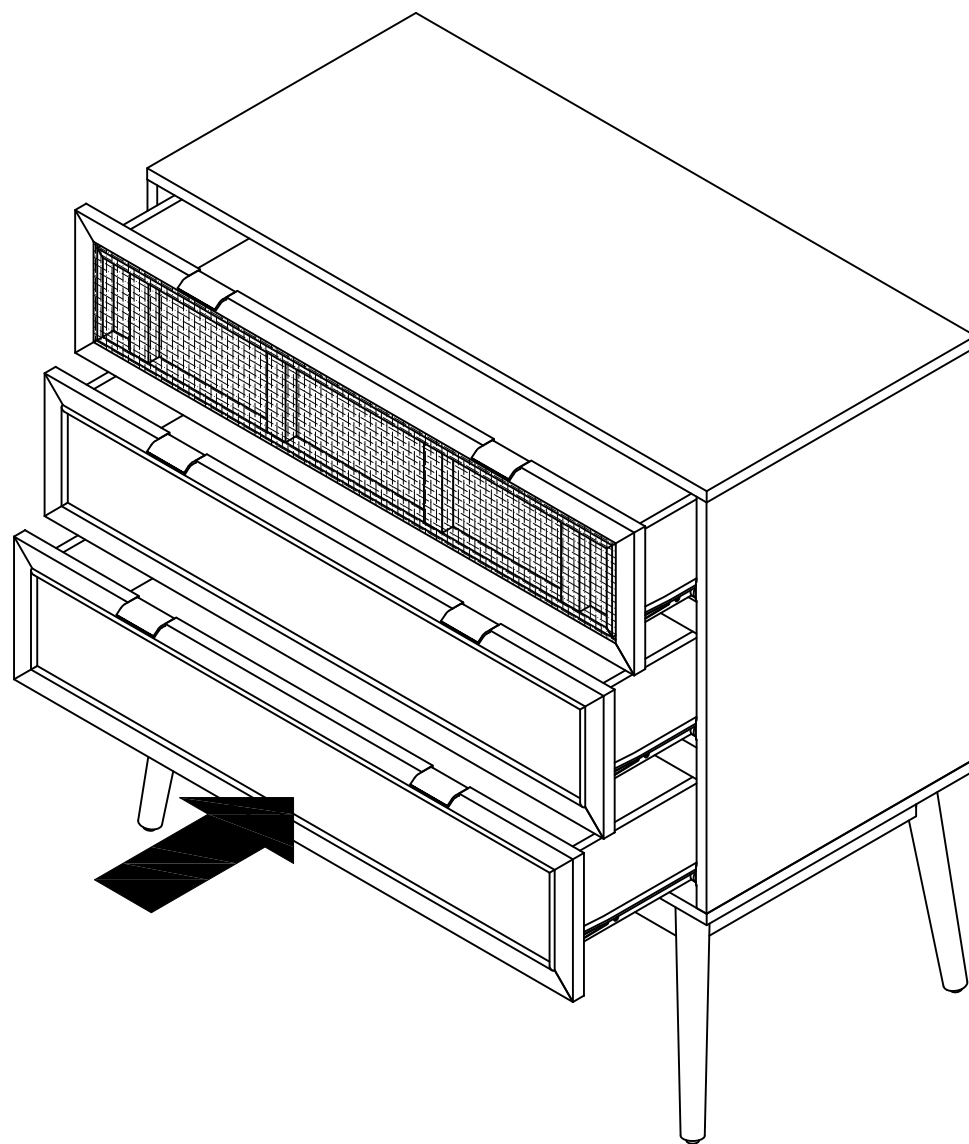
**TOP VIEW**



**BOTTOM VIEW**

**STEP 14** PULL THE LOWER DRAWER OPEN SLOWLY AND RE-TIGHTEN THE SCREWS FROM STEP 11. MAKE SURE THE FRONT PANEL DOES NOT MOVE AND LOCK THE LOWER DRAWER FRONT PANEL INTO POSITION WITH 12 FLAT HEAD SCREWS 19 MM (HW5).

**STEP 12** INSERT THE DRAWER INTO THE UNIT, THEN ADJUST THE DRAWER FRONT PANEL LEFT OR RIGHT AND UP OR DOWN UNTIL THE DRAWER GAPS LOOK PROPORTIONAL.



**STEP 15** SLIDE THE DRAWERS INTO UNIT.