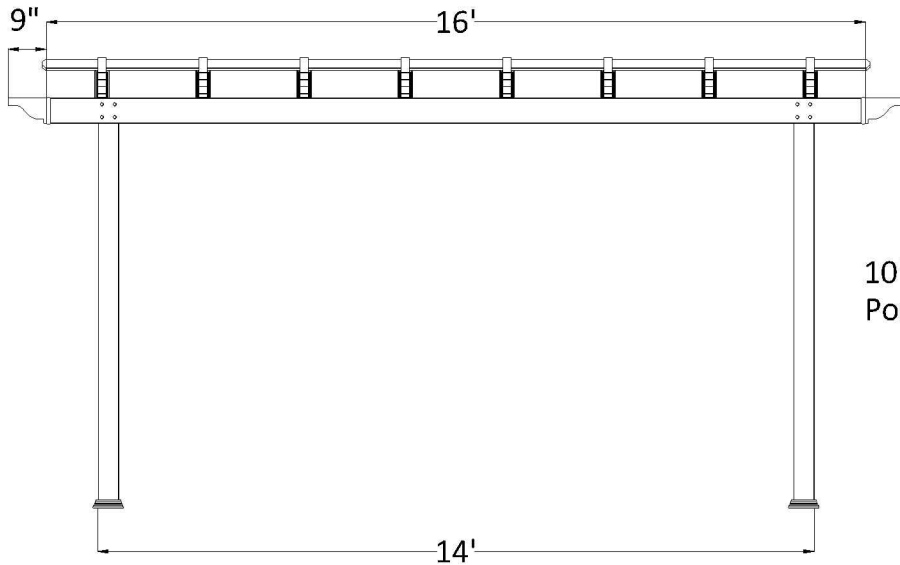


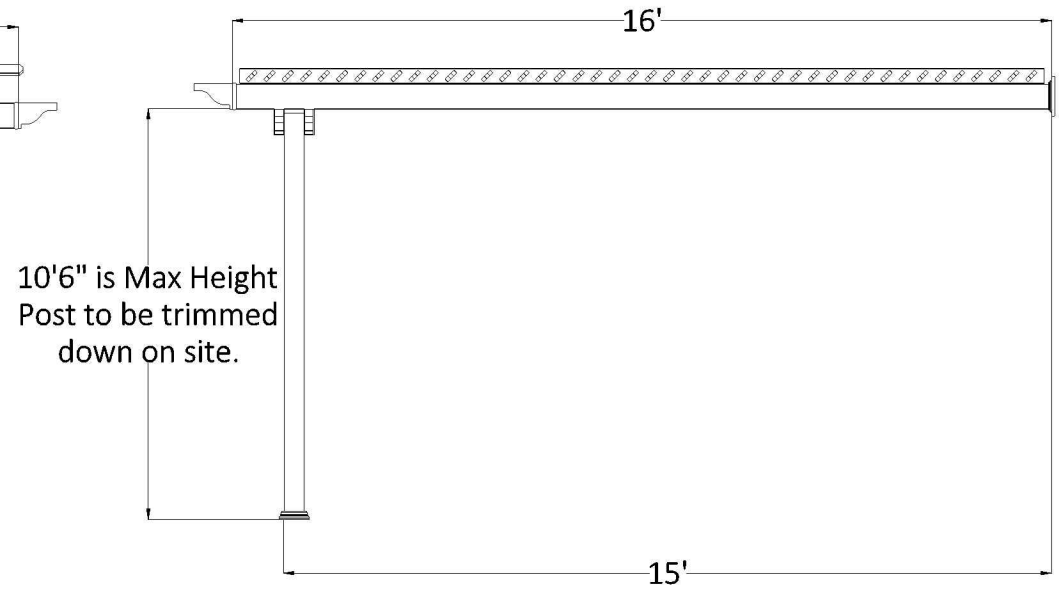
FRONT ELEVATION



POST ON CENTER MEASUREMENT FOR 14' OTO

STYLE	INCHES
5" SQUARE POST	163

SIDE ELEVATION



CENTER OF POST TO FACE OF LEDGER MEASUREMENT

STYLE	INCHES
5" SQUARE POST	177 1/2

PLAN VIEW

