

NOTICE

- * Please make sure that you have all parts indicated and they are in good condition before you begin assembly of this item. Refer to part list and hardware list below for guidance.
- * This item should be assembled on a soft surface to prevent scratching the finish during assembly.
- * This item may require periodic tightening.
- * If you are having difficulty, our friendly Customer Care team is always here to help. Please email customersupport@safavieh.com









PREPARATION

- * Before beginning assembly of product, make sure all parts are present. Compare parts with part contents list and hardware contents list.
- * If any part is missing or damaged, do not attempt to assemble the product.
- * Estimated Assembly Time: **15 minutes**
- * Tools Required for Assembly (included): **Allen Key**

CARE AND MAINTENANCE

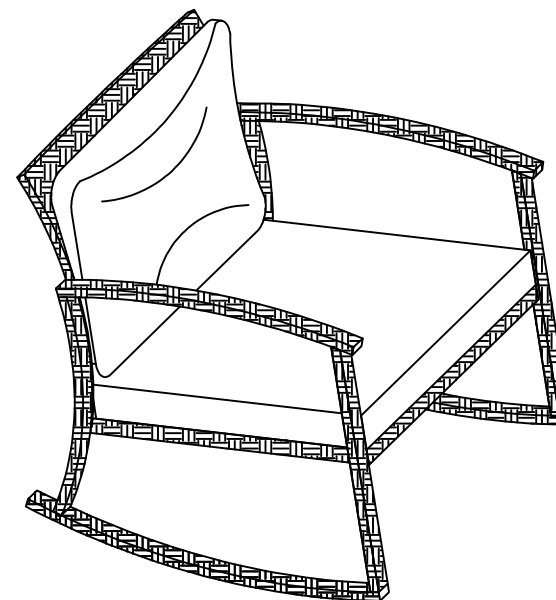
Store outdoor furniture indoors or cover well when not in use. Remove wooden furniture from standing water. Dust regularly with small brush or vacuum. Spills should be taken care of immediately before they harden or stain with a slightly dampened sponge. Do not use bleach solutions

Part List and Hardware List

PIECE	DESCRIPTION	PICTURE	QUANTITY
A	Left Leg Chair		1X
B	Right Leg Chair		1X
C	Seat Chair		1X
D	Back Chair		1X
CSH1	Seat Cushion		1X
CSH2	Back Cushion		1X
HW1	Allen Bolt: M6x0.5x60 mm		2X
HW2	Allen Bolt: M6x0.5x40 mm		2X
HW3	Allen Bolt: M6x0.5x20 mm		6X
HW4	Flat Washer M6x1 mm		10X
HW5	Allen Key		1X

 **SAFAVIEH**
O U T D O O R

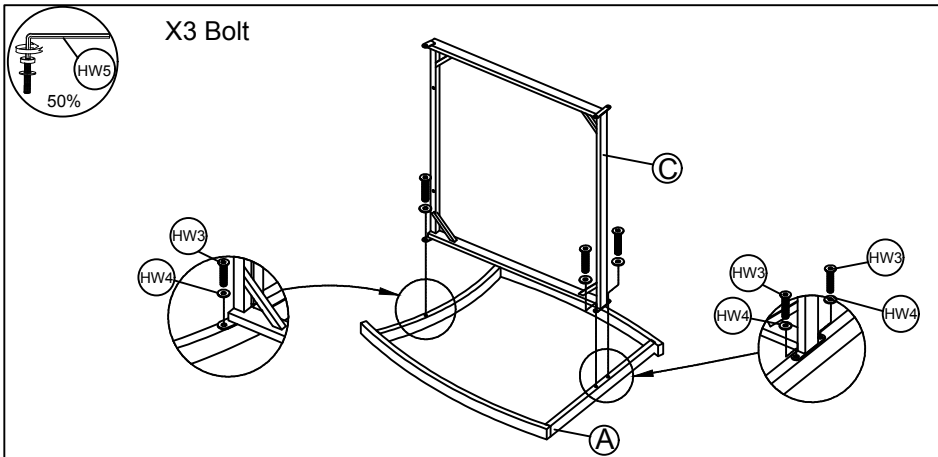
Model# PAT7721
Product Dimensions
26.38"W x 31.10"D x 31.50"H (Chair)



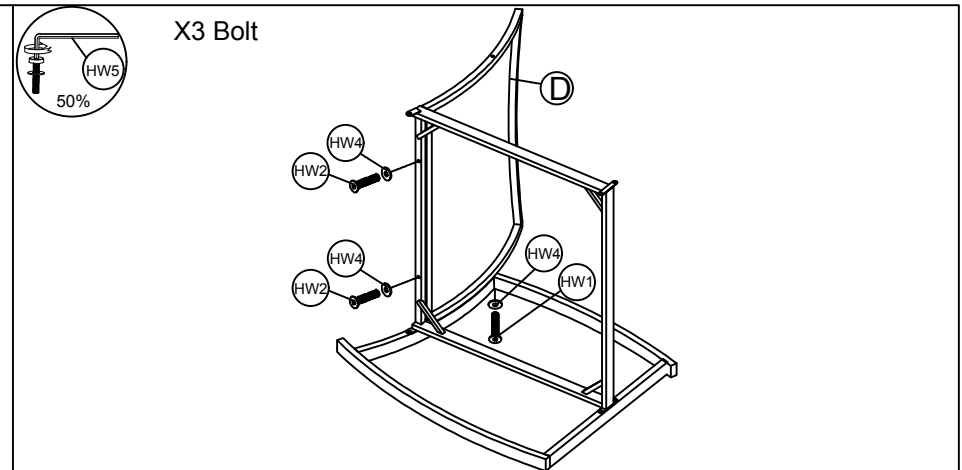
Weight Capacity : 352 lbs (Chair)
Warning : Do not stand on Chair
Warning : Do not over torque bolts/screws

PREPARATION

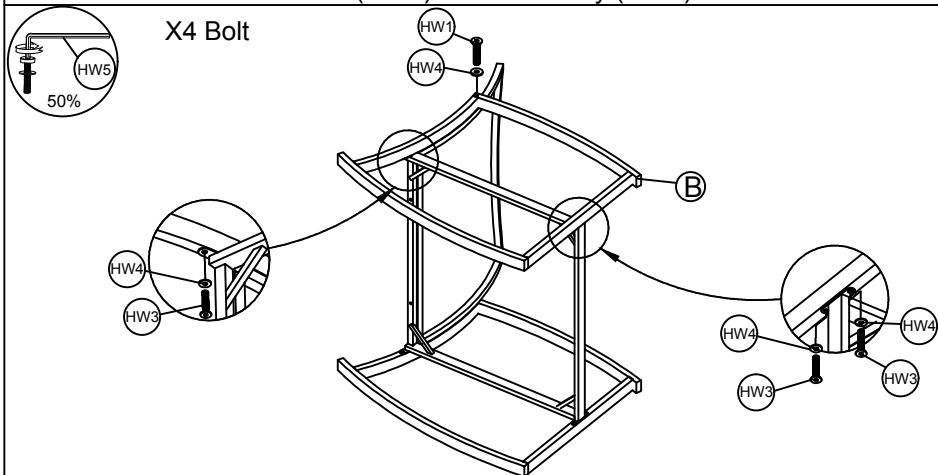
- * Before beginning assembly of product, make sure all parts are present. Compare parts with part contents list and hardware contents list.
- * If any part is missing or damaged, do not attempt to assemble the product.
- * Estimated Assembly Time: **15 minutes.**
- * Tools Required for Assembly (included): **Allen Key**
- * If you are having difficulty, our friendly Customer Care team is always here to help. Please email customersupport@safavieh.com



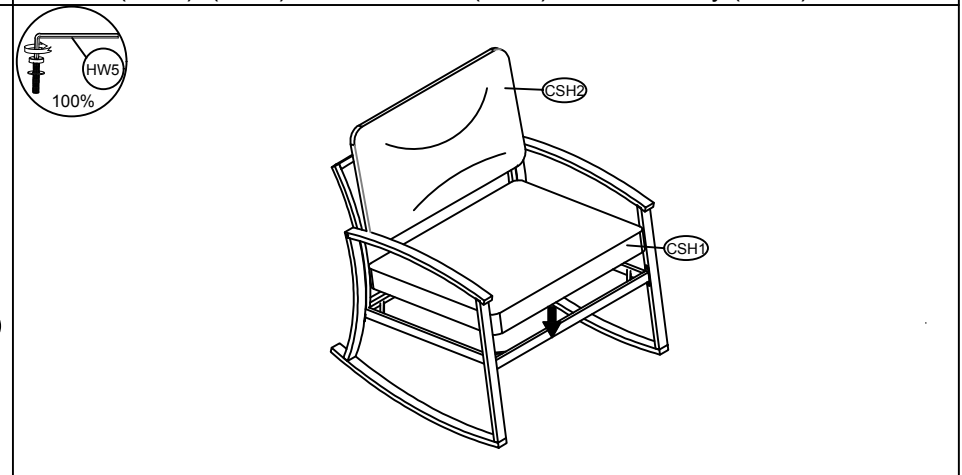
STEP 1: Connect Left Leg Chair (A) & Seat Chair (C), tighten Bolt (HW3), Flat Washer (HW4) with Allen Key (HW5).



STEP 2: Connect Back Chair (D) & The Part from Step 1, tighten Bolt (HW1), (HW2) & Flat Washer (HW4) with Allen Key (HW5).



STEP 3: Connect Right Leg Chair (B) & The Part from Step 2, tighten Bolt (HW3), (HW1) & Flat Washer (HW4) with Allen Key (HW5).



STEP 4: Put Seat Cushion (CSH1), Back Cushion (CSH2) to Finish Chair.