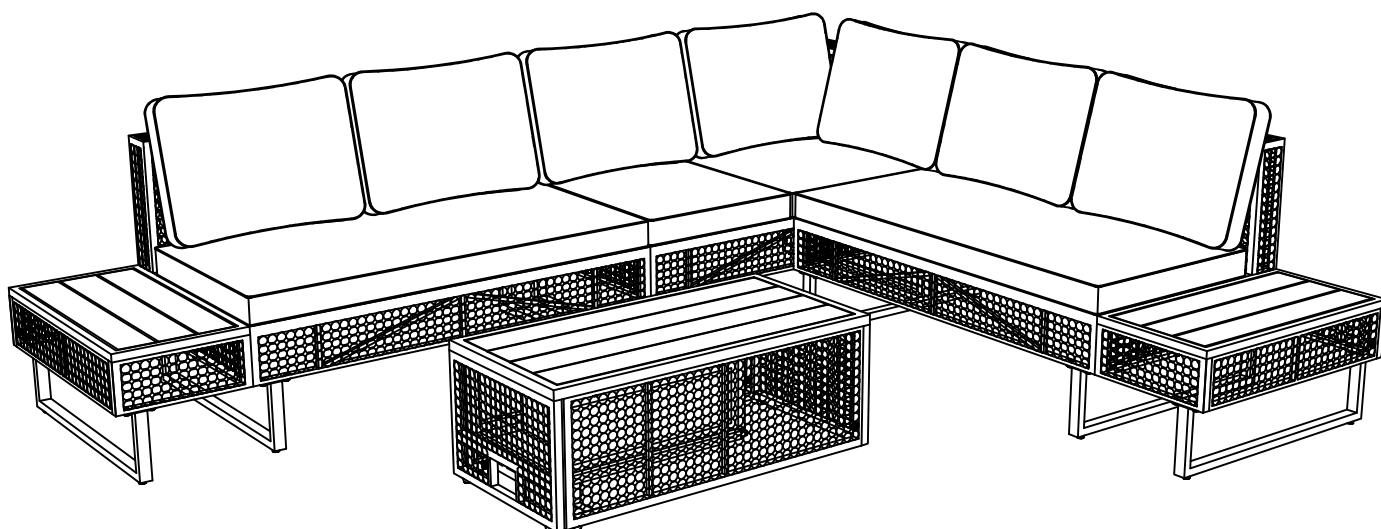


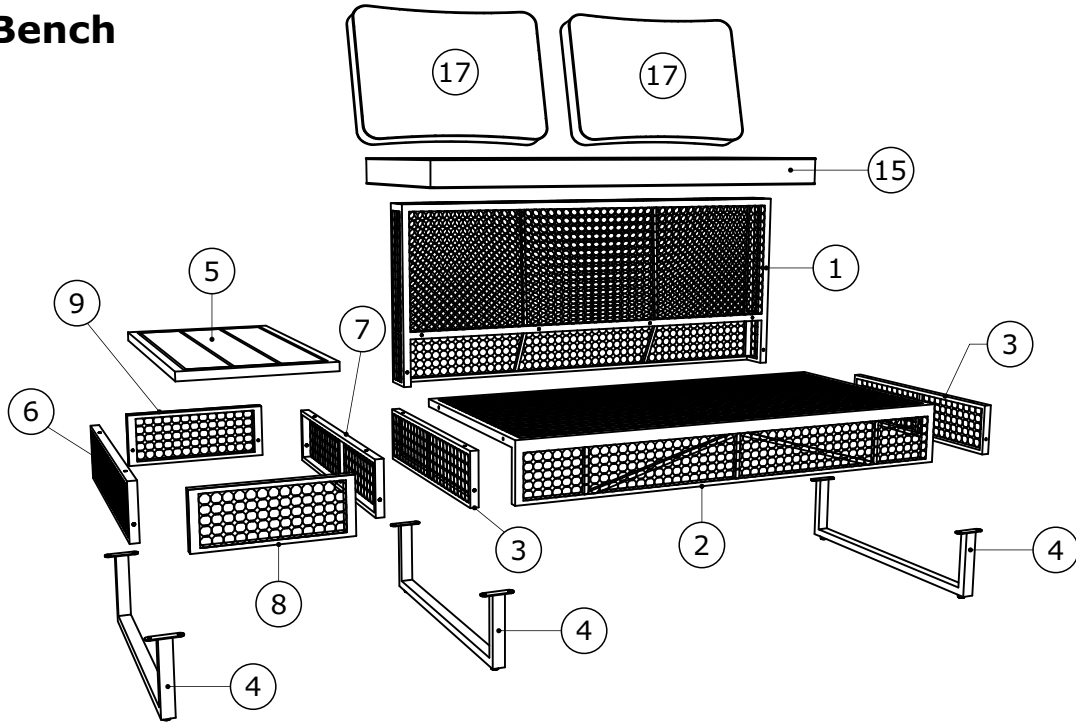
ASSEMBLY INSTRUCTIONS

L SHARP 6PERS SOFA SET

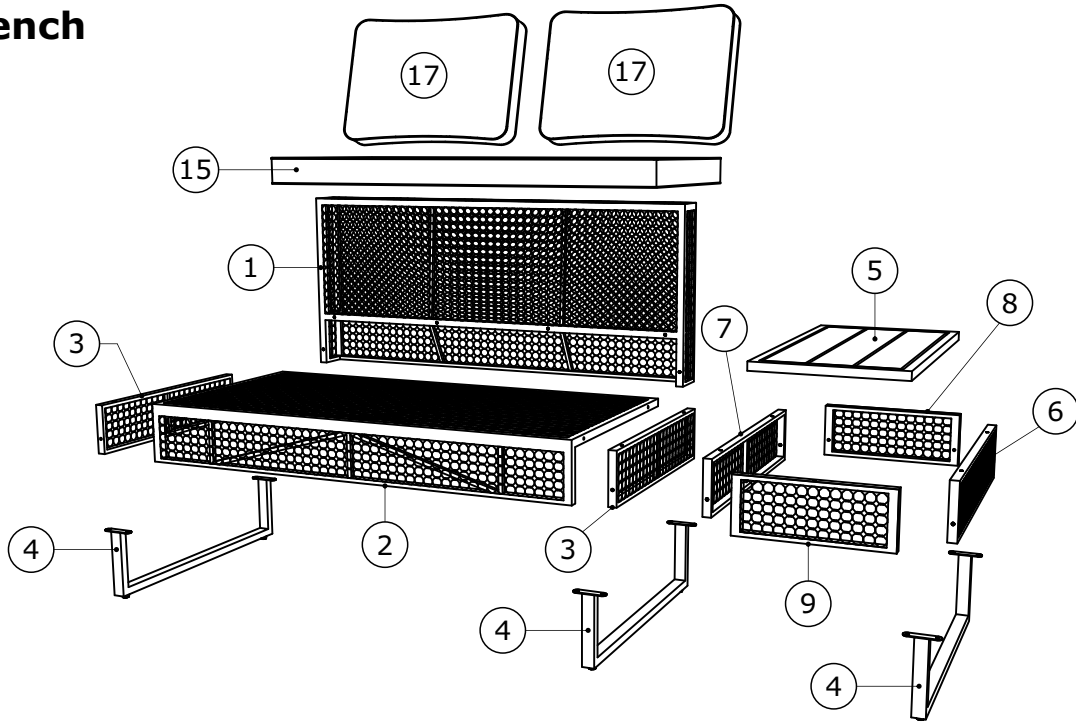


**N707P233738 ; N707P233739 ;
N707P233740 .**

Right Bench



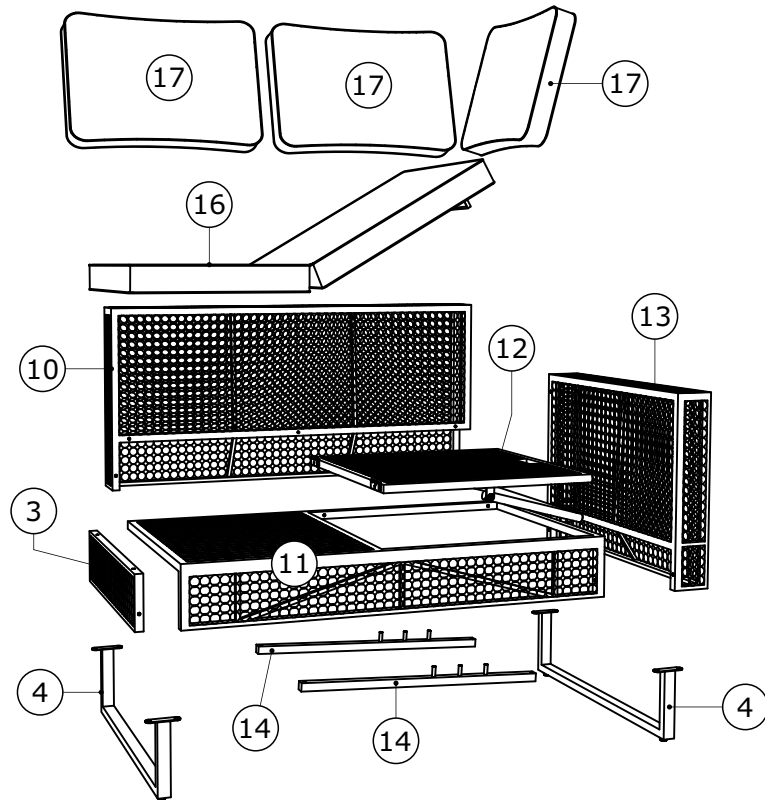
Left Bench



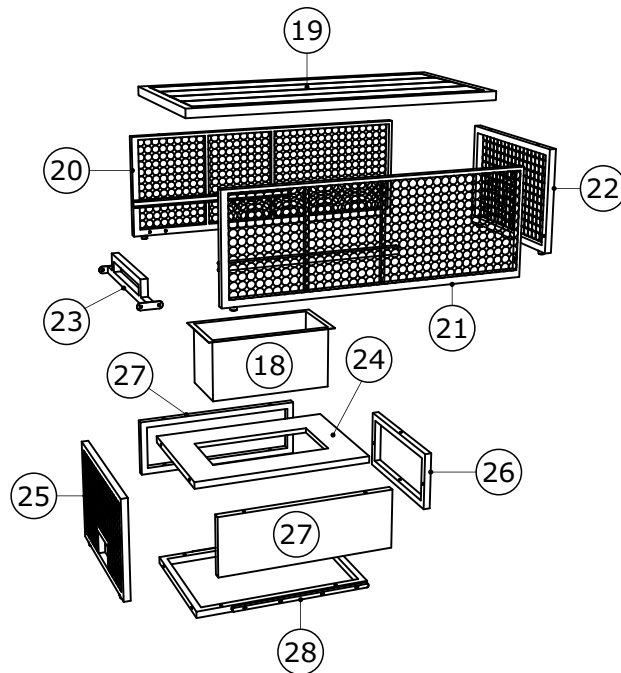
Note:

1. 50% Tighten before fixing all screws, Allen wrench is recommended instead of an electric drill.
2. Place the item on a flat ground to adjust and make sure it remains stable.
3. Tighten up all screws with tools gradually.
4. If screw are not aligned with holes during assembly, please loosen all the other screws to 50% and continue the assembly process.
5. If the item is not stable, please loosen all the screws, adjust it on a flat ground and tighten up all screws again.
6. Note: If one or some screws are fully tightened during assembly, chances are the others will not be aligned with holes. In addition, all the holes are designed to be relatively larger to provide more space for the adjustment of the screws.

Corner Bench



Table

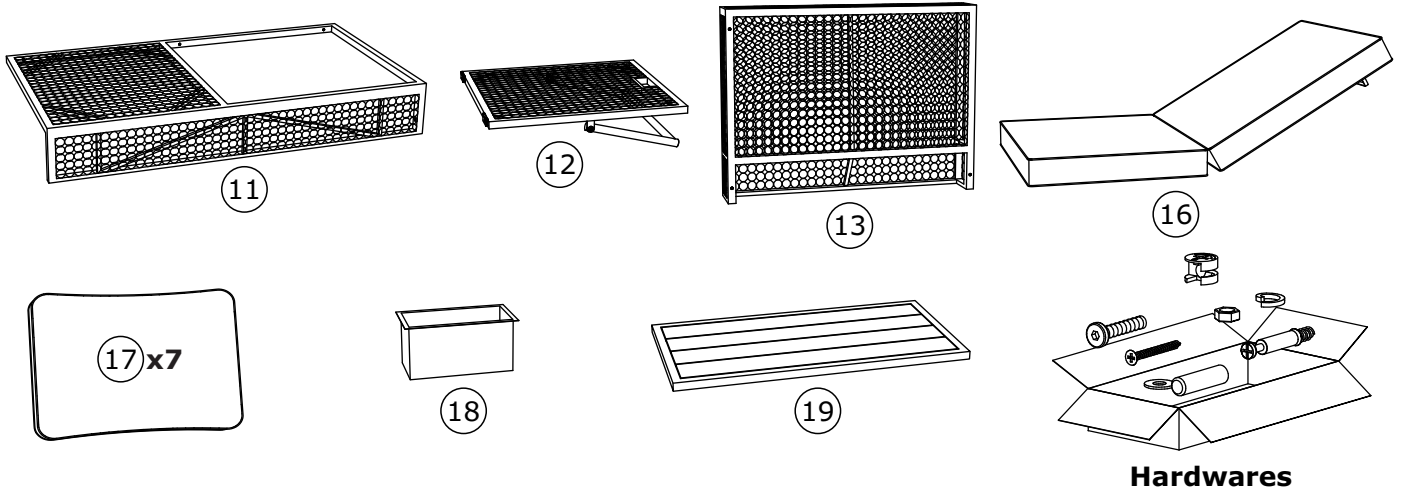


Note:

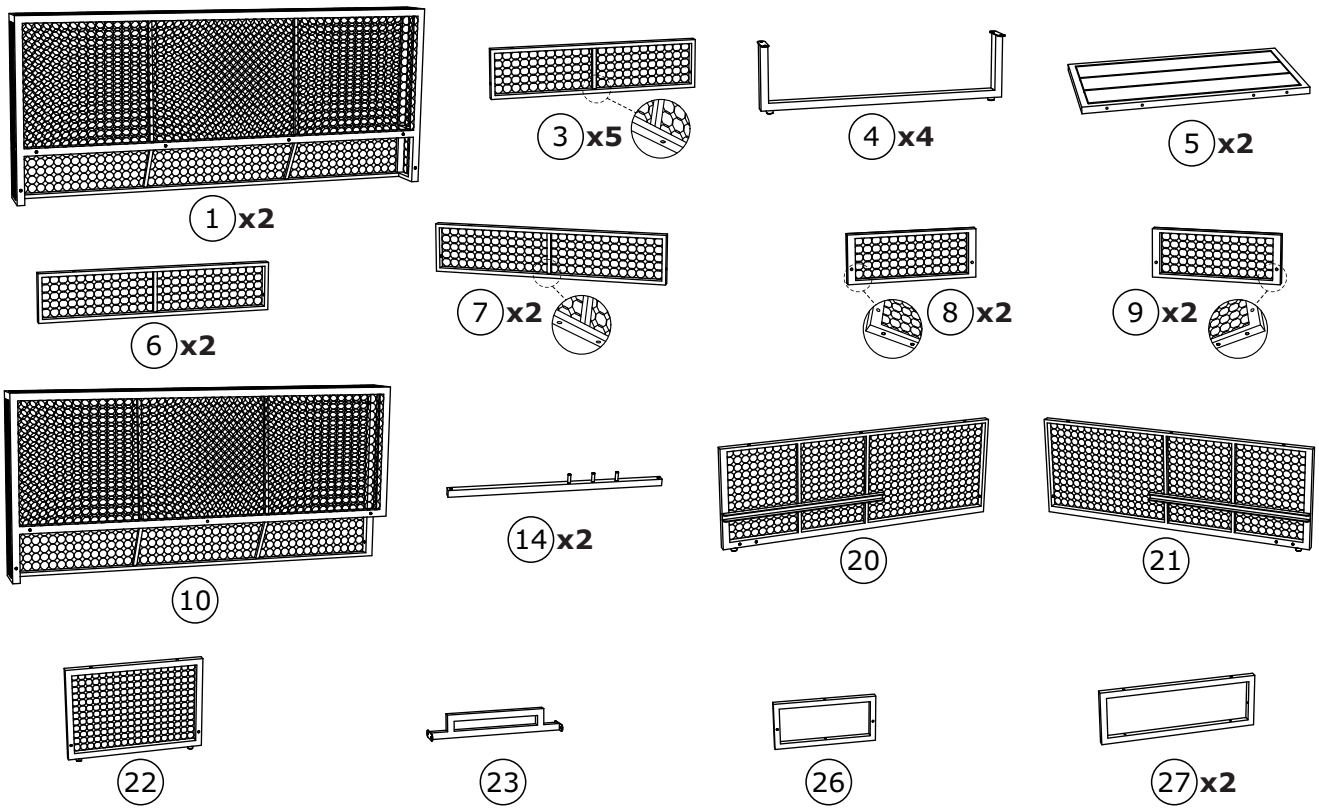
1. 50% Tighten before fixing all screws, Allen wrench is recommended instead of an electric drill.
2. Place the item on a flat ground to adjust and make sure it remains stable.
3. Tighten up all screws with tools gradually.
4. If screw are not aligned with holes during assembly, please loosen all the other screws to 50% and continue the assembly process.
5. If the item is not stable, please loosen all the screws, adjust it on a flat ground and tighten up all screws again.
6. Note: If one or some screws are fully tightened during assembly, chances are the others will not be aligned with holes. In addition, all the holes are designed to be relatively larger to provide more space for the adjustment of the screws.

CARTON CONTENT:

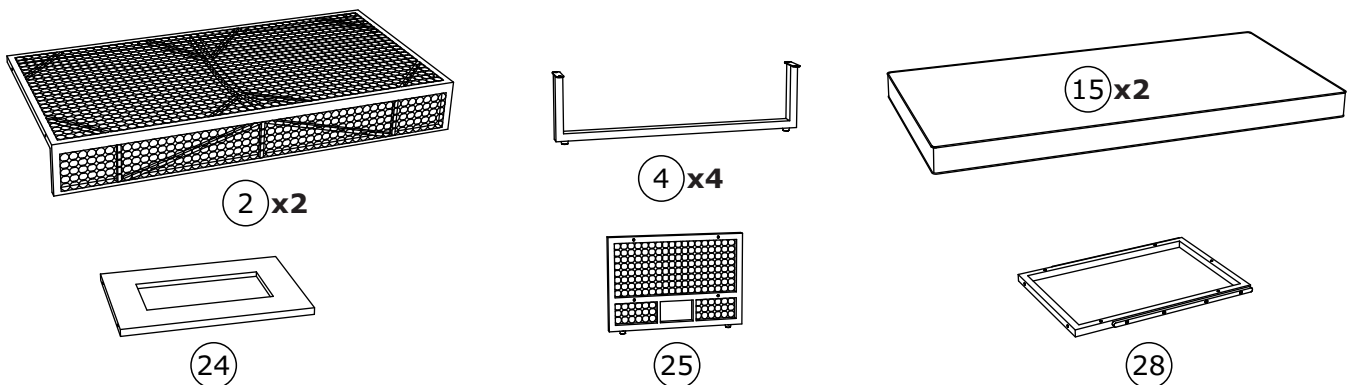
Box 1/3: N707P233738



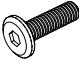
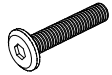
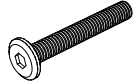
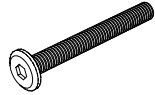
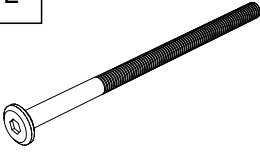

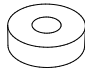
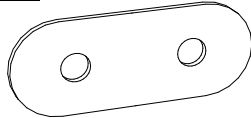
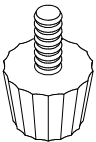
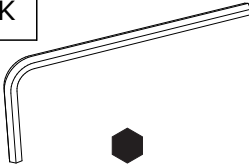
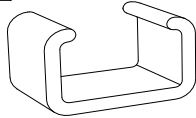
Box 2/3: N707P233739



Box 3/3: N707P233740



HARDWARES:

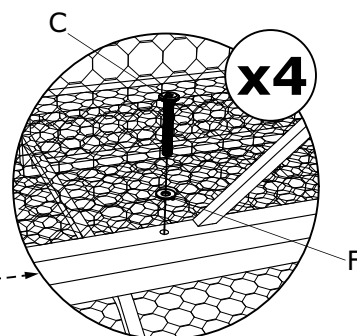
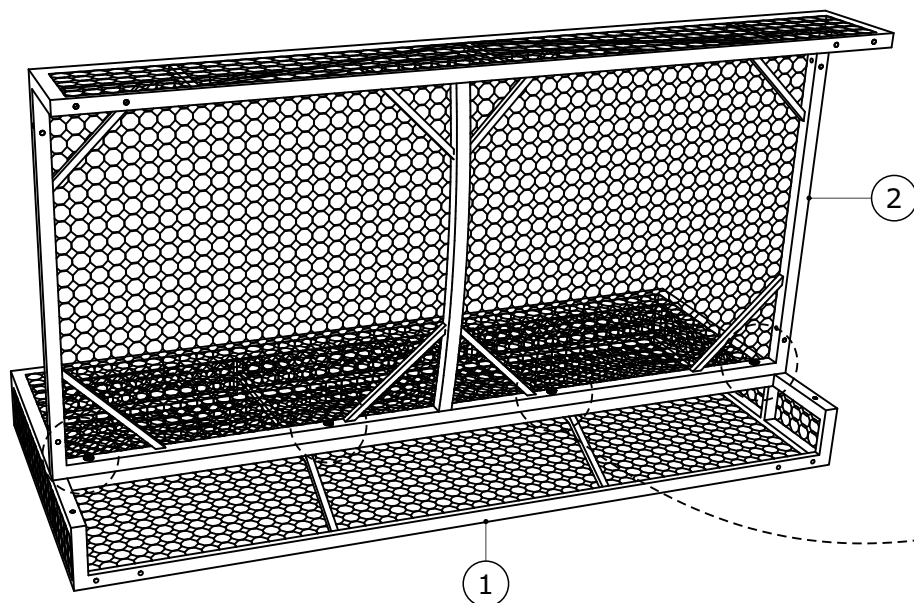
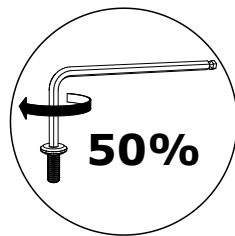
<p style="text-align: center;">A</p>  <p style="text-align: center;">M6x20 mm (38pcs + extra 3pcs)</p>	<p style="text-align: center;">B</p>  <p style="text-align: center;">M6x30 mm (40pcs + extra 3pcs)</p>	<p style="text-align: center;">C</p>  <p style="text-align: center;">M6x40 mm (43pcs + extra 3pcs)</p>	<p style="text-align: center;">D</p>  <p style="text-align: center;">M6x50 mm (4pcs + extra 1pc)</p>
<p style="text-align: center;">E</p>  <p style="text-align: center;">M6x120 mm (1pc + extra 1pc)</p>	<p style="text-align: center;">F</p>  <p style="text-align: center;">Flat Washers Ø6x14x1 mm (124pcs + extra 3pcs)</p>	<p style="text-align: center;">G</p>  <p style="text-align: center;">Plastic Washers Ø6x16x5 mm (8pcs + extra 1pc)</p>	<p style="text-align: center;">H</p>  <p style="text-align: center;">Flat Support 50x20x2 mm (2pcs + extra 1pc)</p>
<p style="text-align: center;">J</p>  <p style="text-align: center;">Lock button Ø20x30 mm (2pcs + extra 1pc)</p>	<p style="text-align: center;">K</p>  <p style="text-align: center;">Allenkey 4x98 mm (3pcs)</p>	<p style="text-align: center;">L</p>  <p style="text-align: center;">Plastic Connection 60x40x30 mm (4pcs + extra 1pc)</p>	

STEP 1

(C) x8

(F) x8

x2



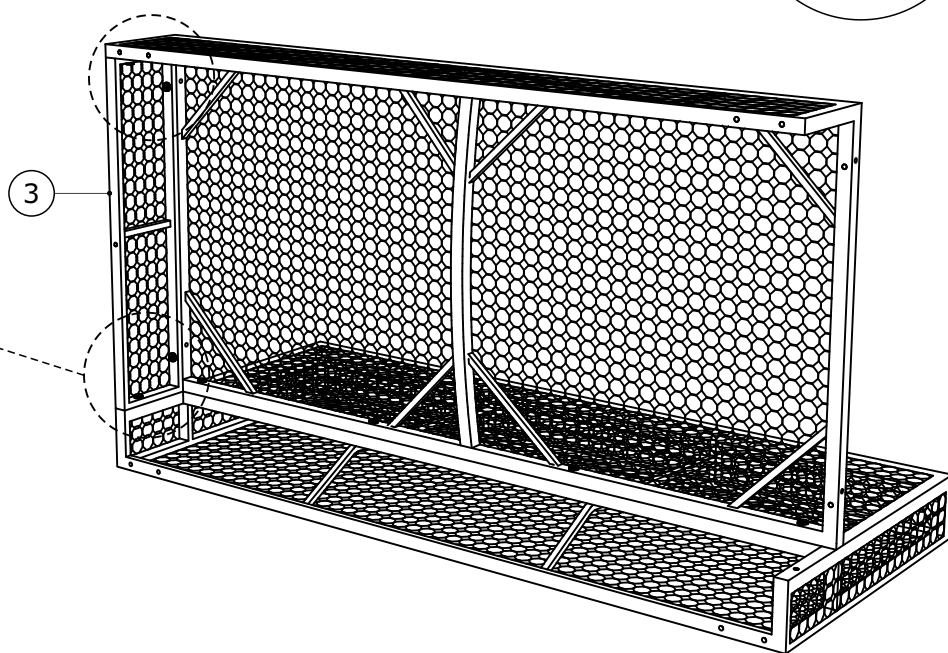
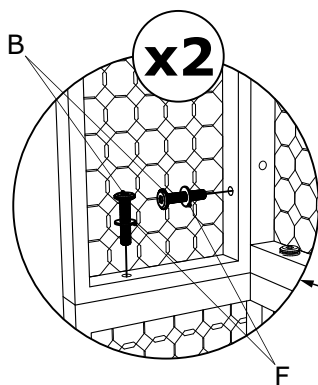
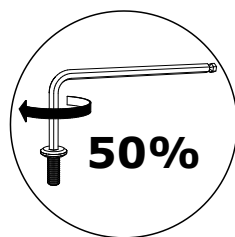
Bench 2 seater: Connect the seat bench (2) & backrest bench (1) with Allenkey (K).

STEP 2

(B) x8

(F) x8

x2



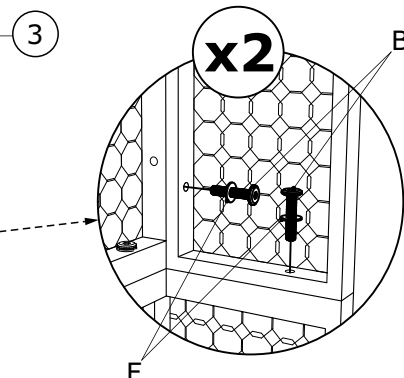
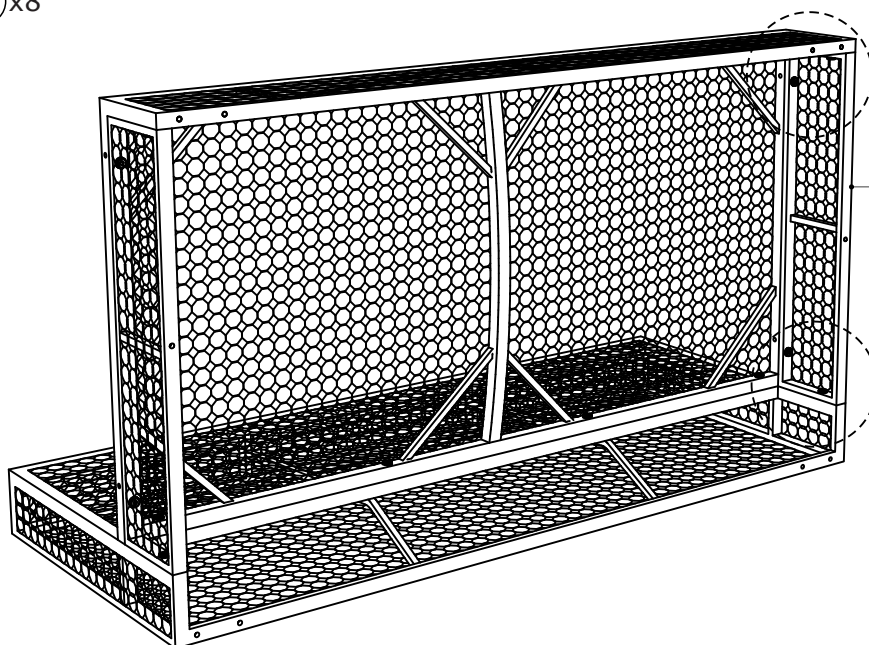
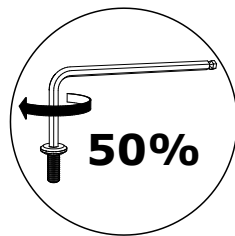
Connect the brace bench (3) with Allenkey (K).

STEP 3

(B) x8

(F) x8

x2



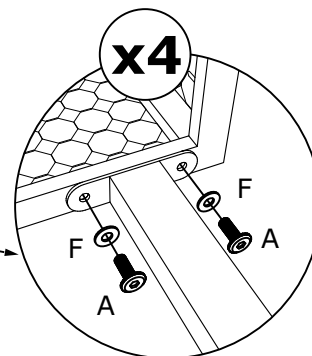
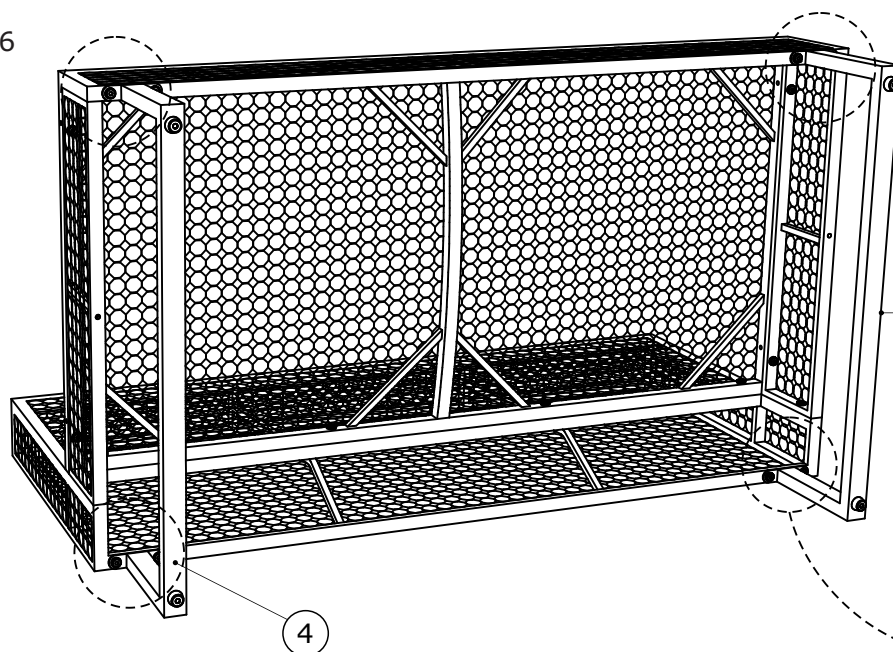
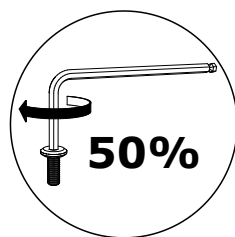
Connect the brace bench (3) with Allenkey (K).

STEP 4

(A) x16

(F) x16

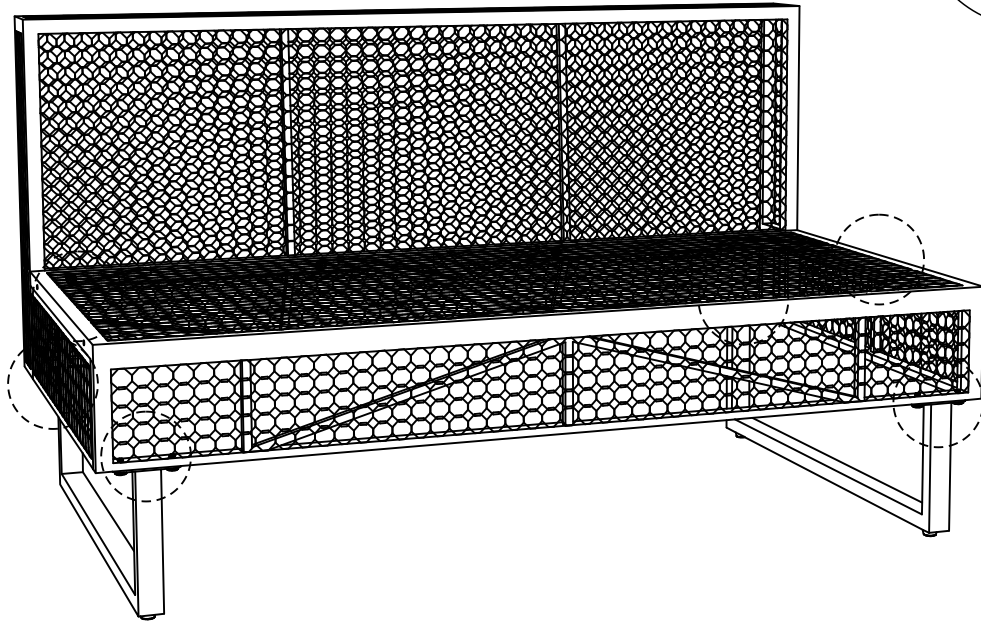
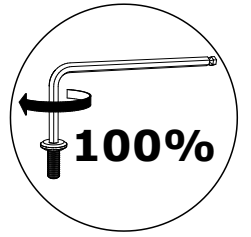
x2



Connect the legs bench (4) with Allenkey (K).

STEP 5

x2



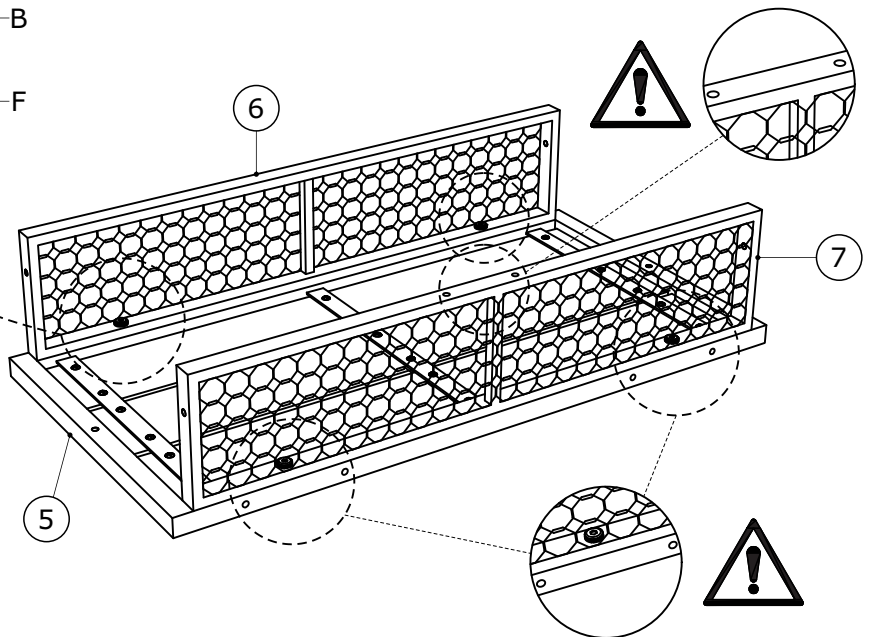
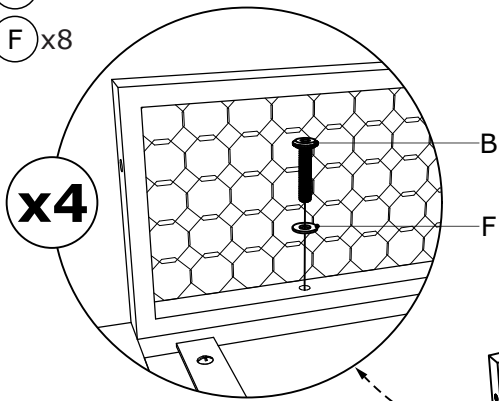
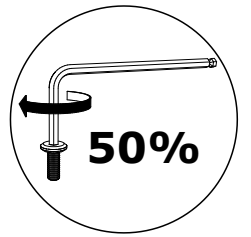
Tighten all bolts with Allenkey (K).

STEP 6

(B) x8

(F) x8

x2

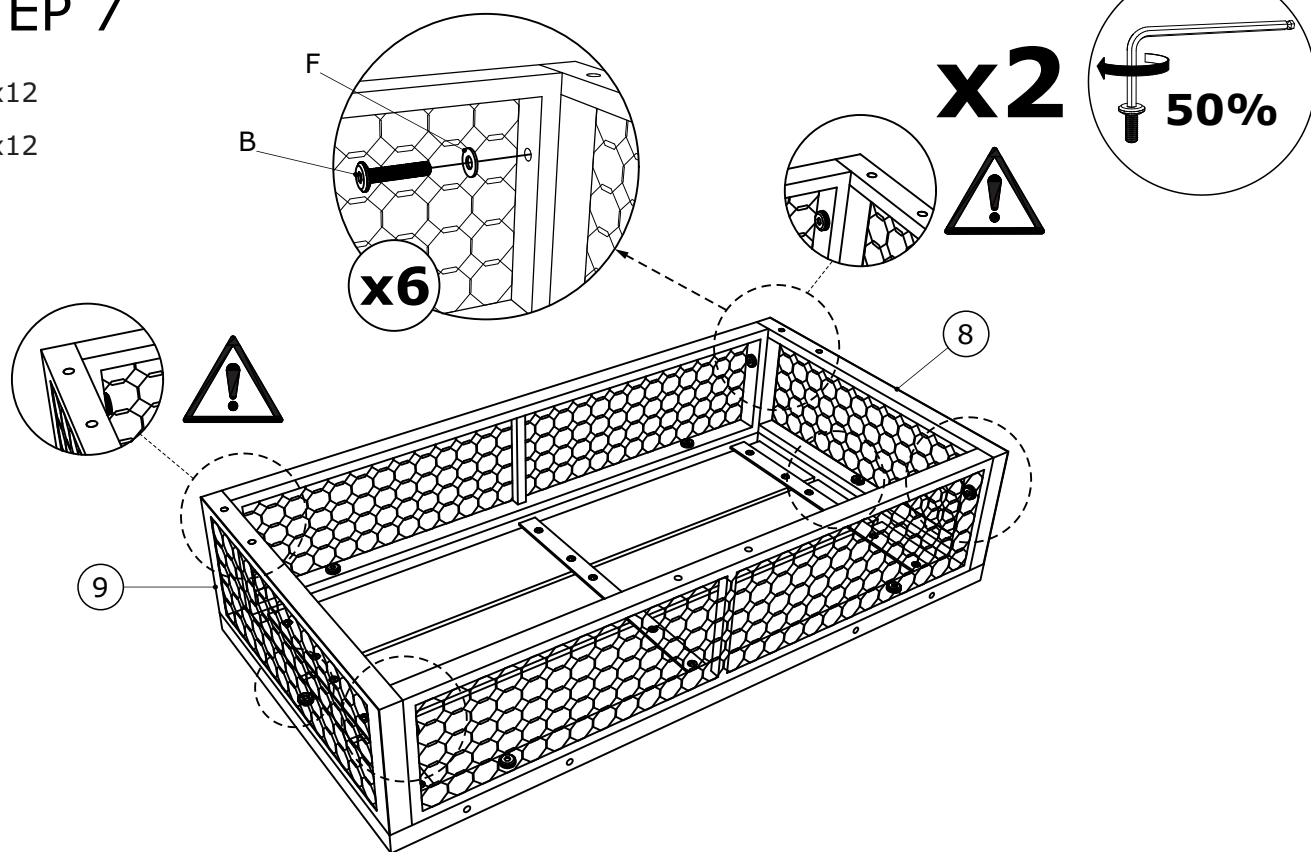


Side Bench: Connect the right brace side bench (6) & left brace side bench (7) & seat side bench (5) with Allenkey (K).

STEP 7

(B) x12

(F) x12

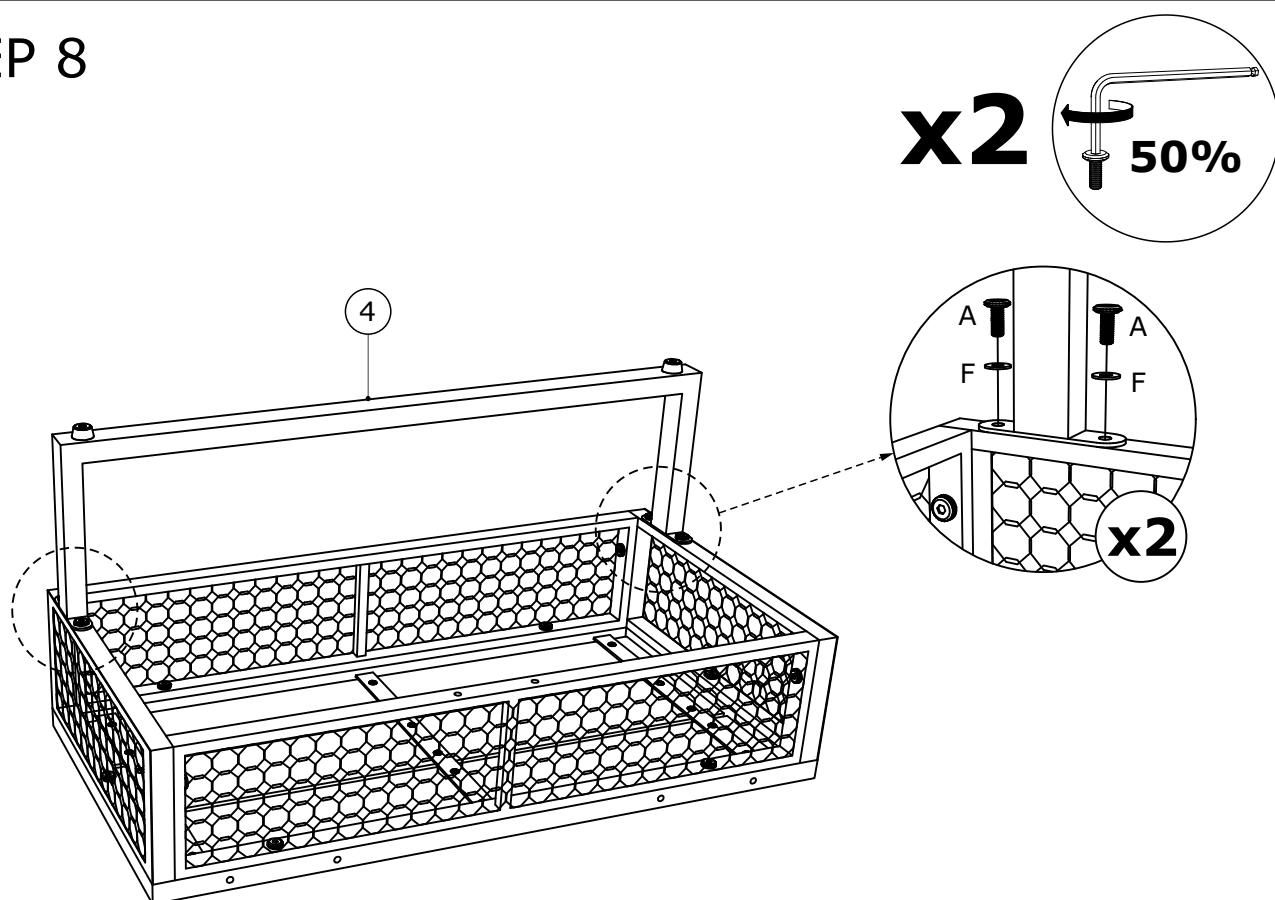


Connect the front leg side bench (8) & back leg side bench (9) with Allenkey (K).

STEP 8

(A) x8

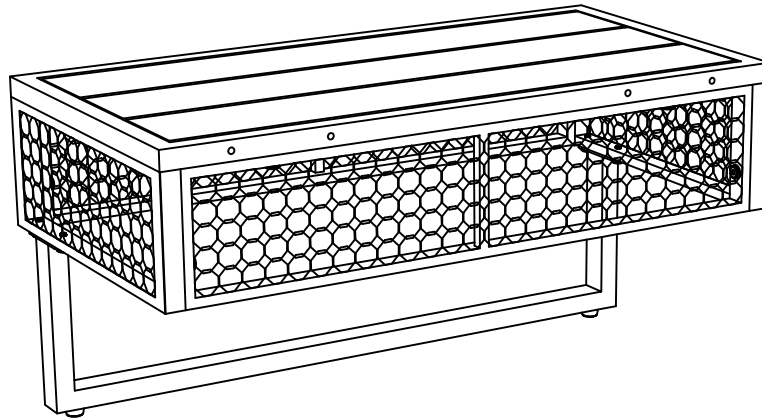
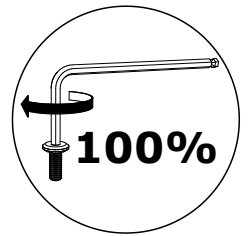
(F) x8



Connect the legs bench (4) with Allenkey (K).

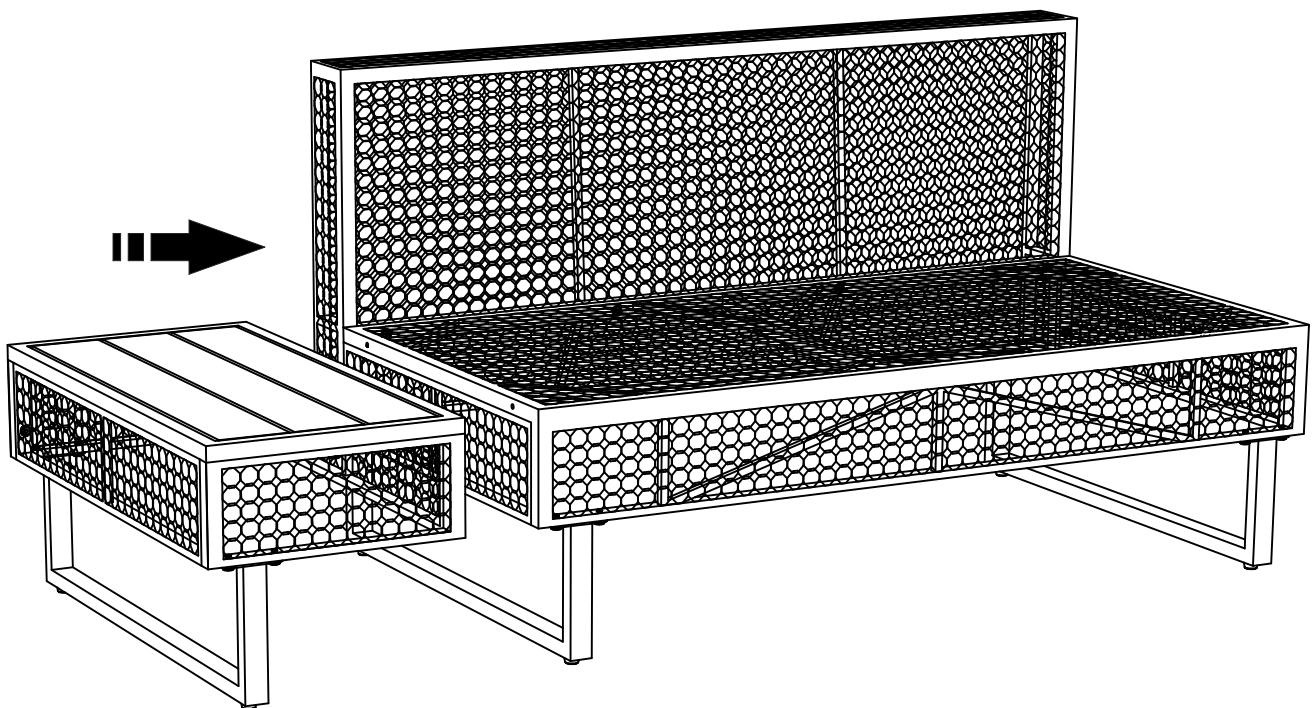
STEP 9

x2



Tighten all bolts with Allenkey (K).

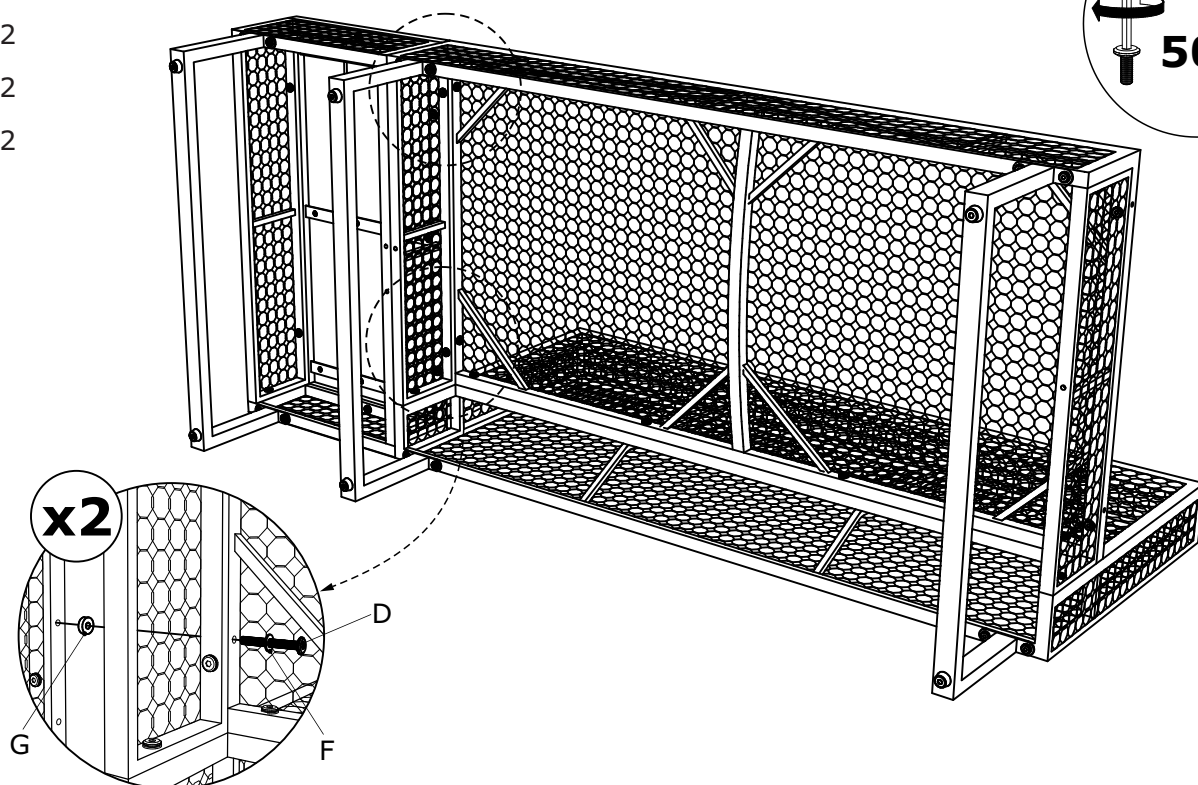
STEP 10



Right Bench: Connect the side bench & bench 2 seater.

STEP 11

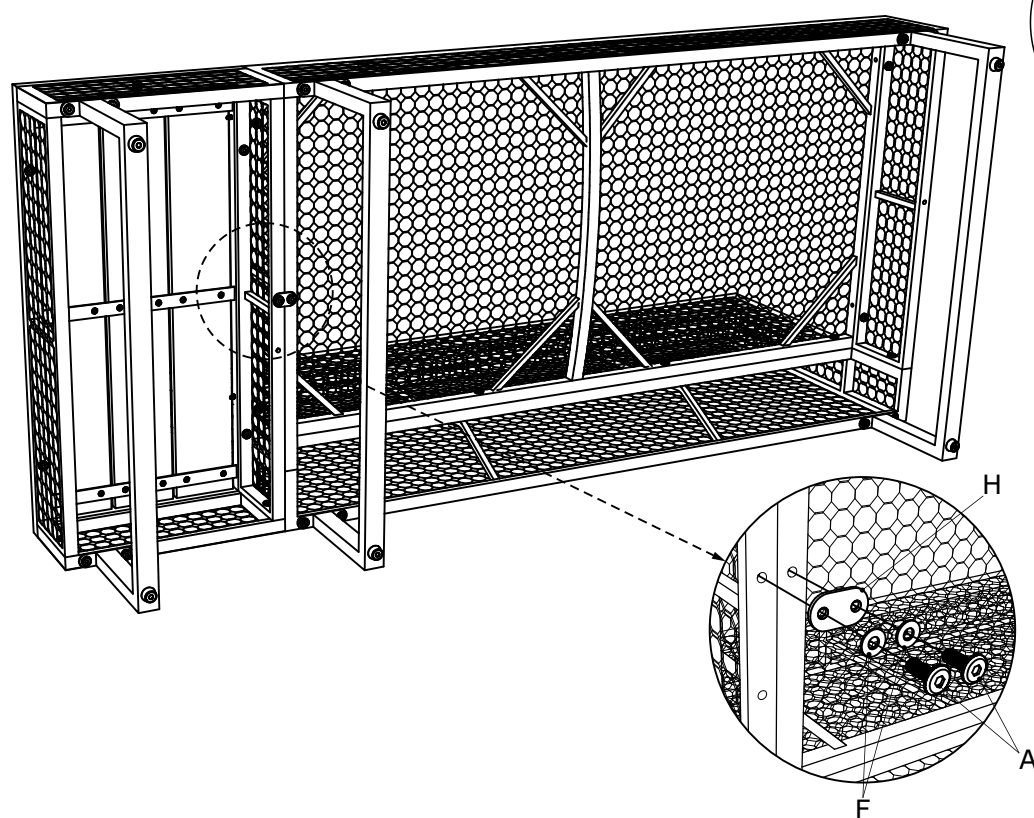
- (D) x2
- (F) x2
- (G) x2



Connect the side bench & bench 2 seater with Allenkey (K).

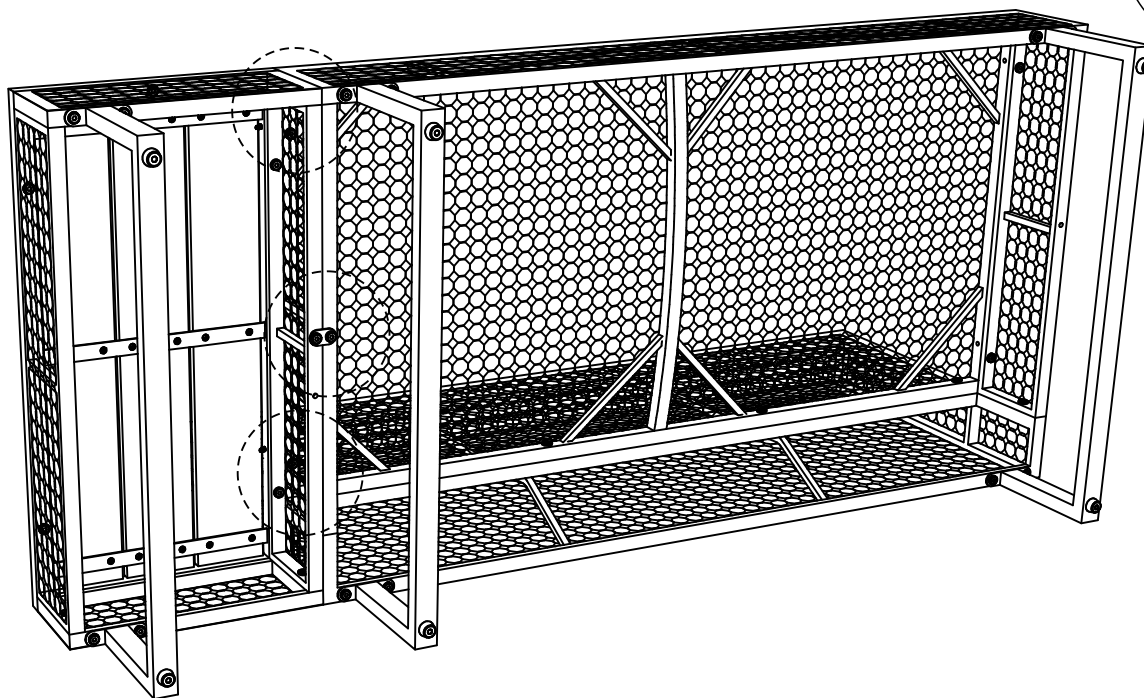
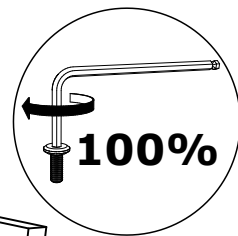
STEP 12

- (A) x2
- (F) x2
- (H) x1



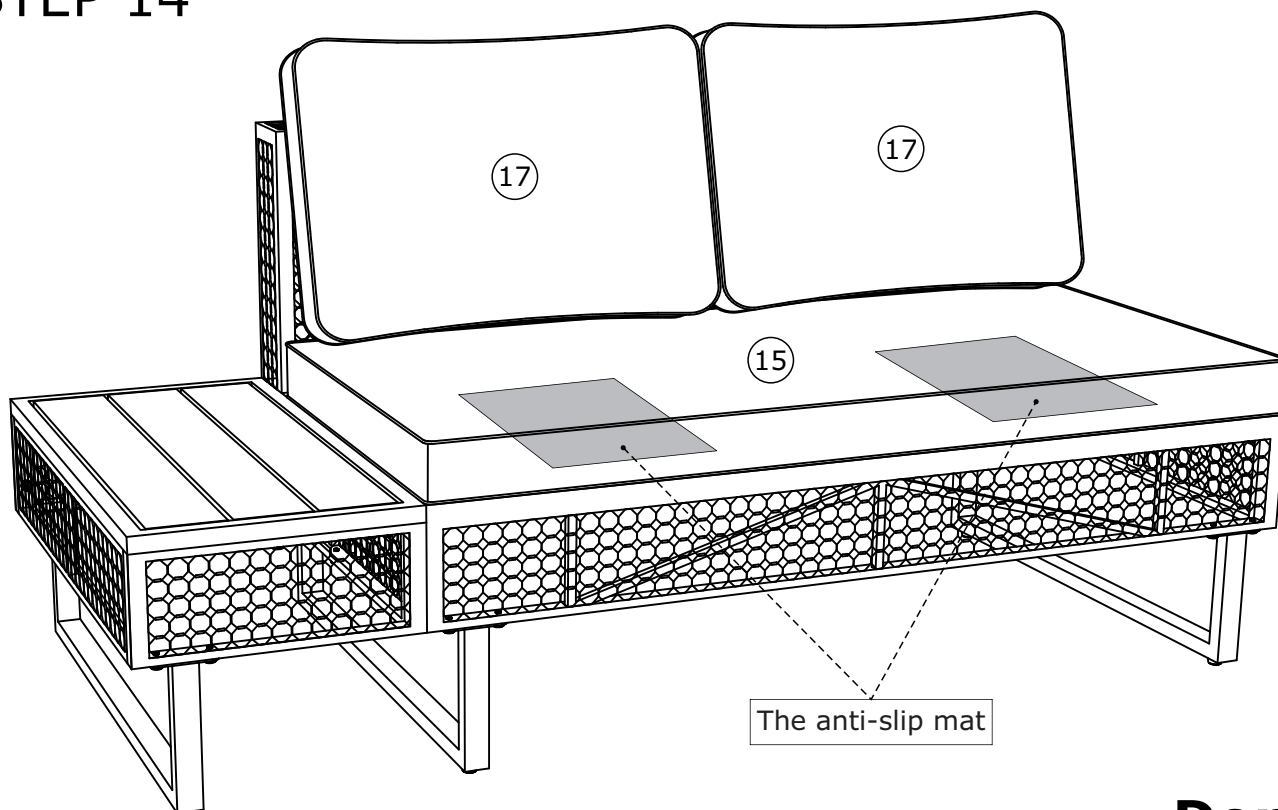
Connect the side bench & bench 2 seater with Allenkey (K).

STEP 13



Tighten all bolts with Allenkey (K).

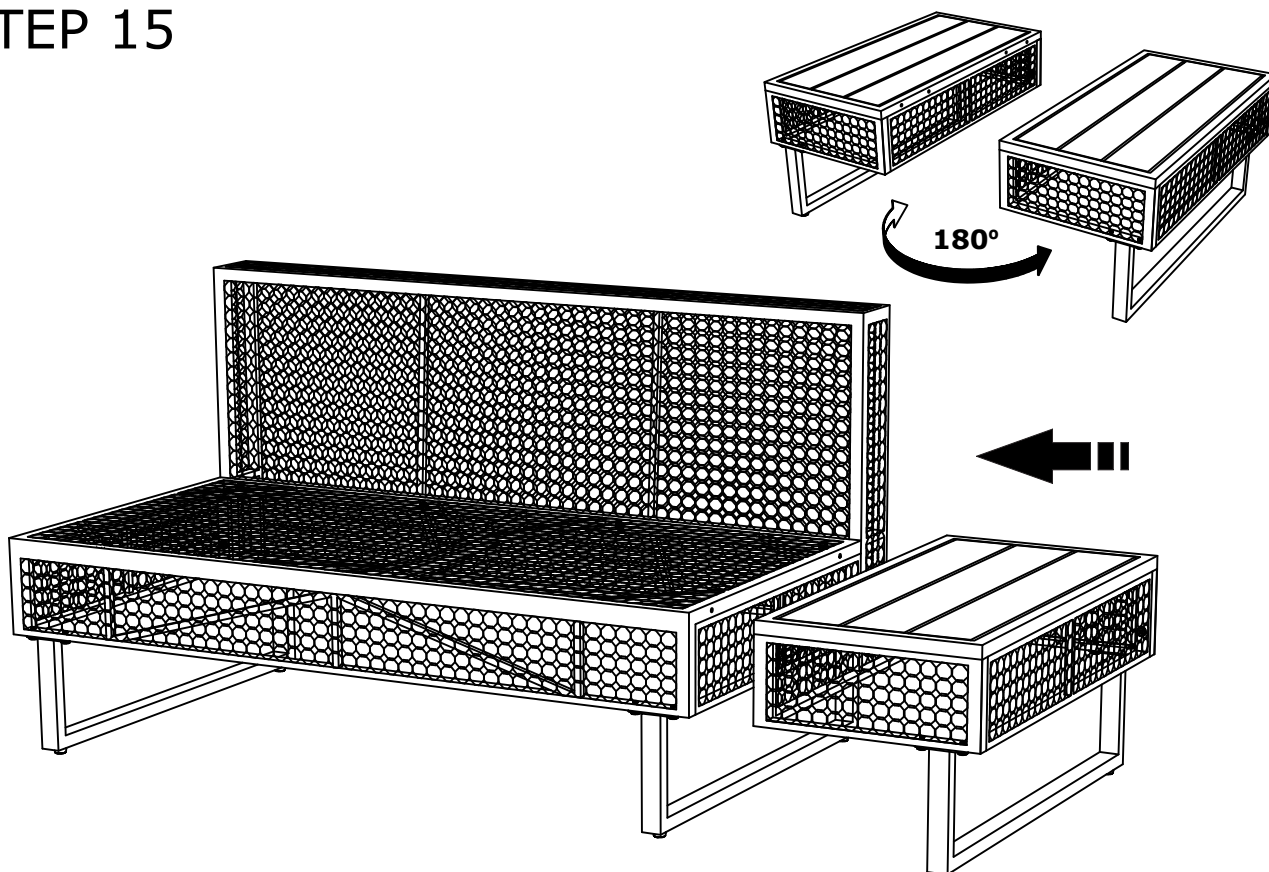
STEP 14



Done

Put the anti-slip mats on the top bench first, and then put the seat cushion bench (15) and pillows (17) onto the bench.

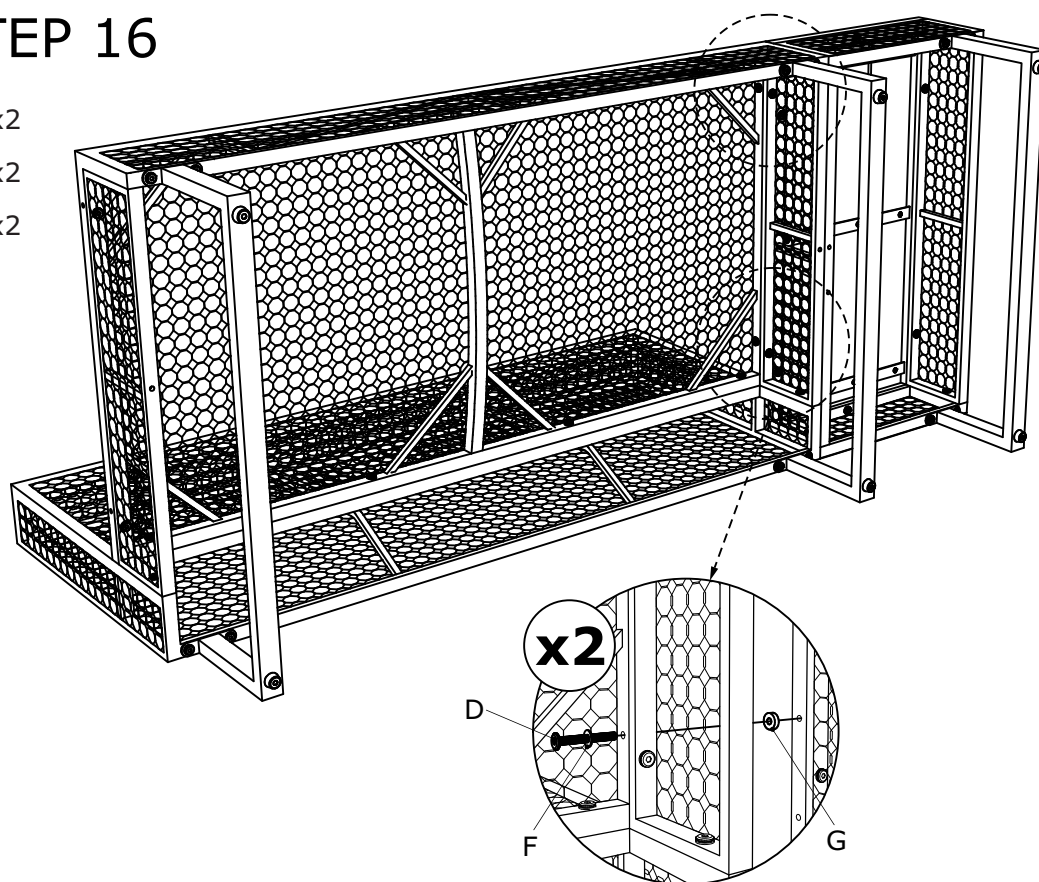
STEP 15



Left Bench: Rotate side bench 180 degrees and connect the side bench & bench 2 seater.

STEP 16

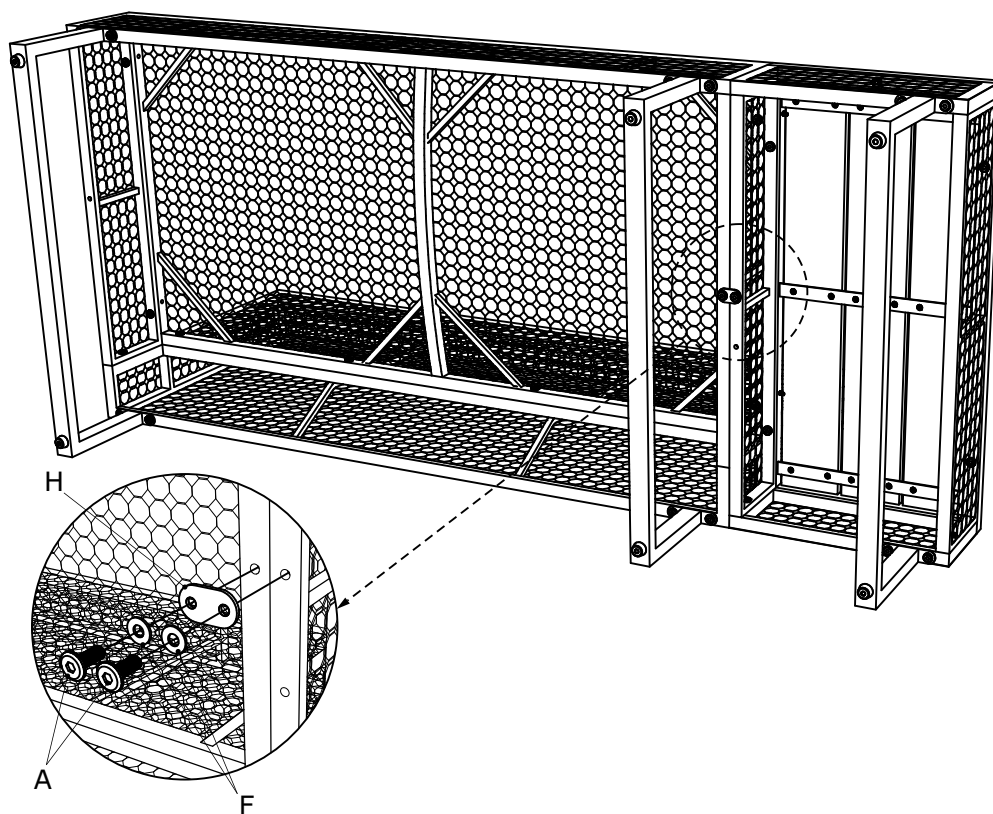
- ⓓ x2
- ⓕ x2
- ⓖ x2



Connect the side bench & bench 2 seater with Allenkey (K).

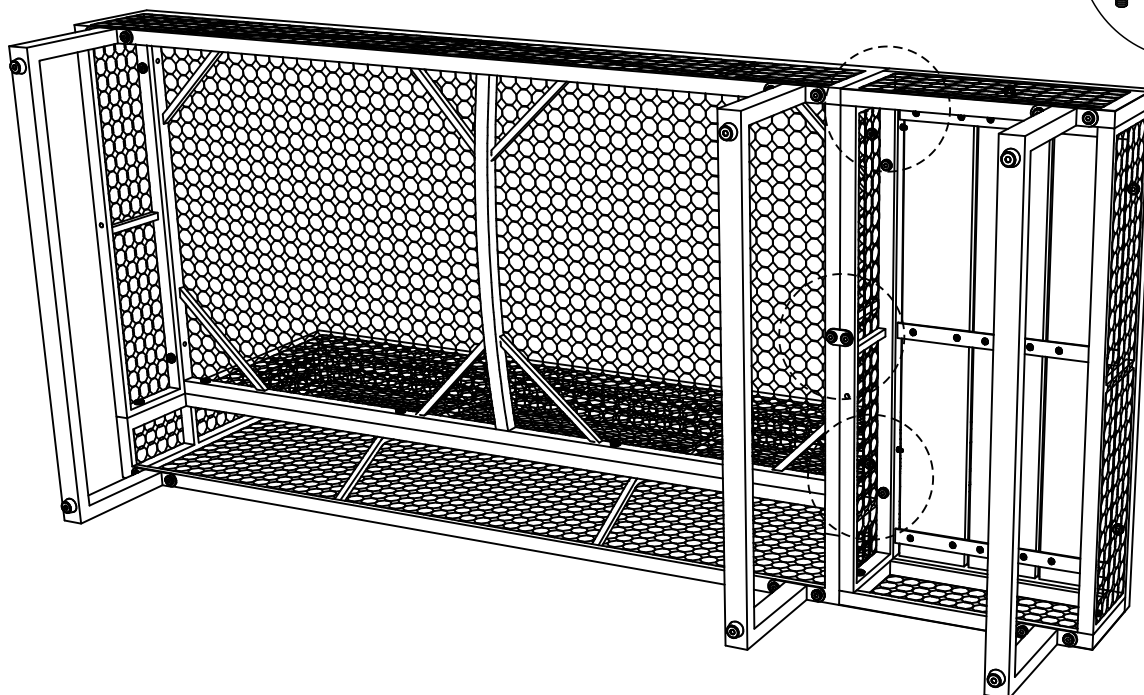
STEP 17

- (A) x2
- (F) x2
- (H) x1



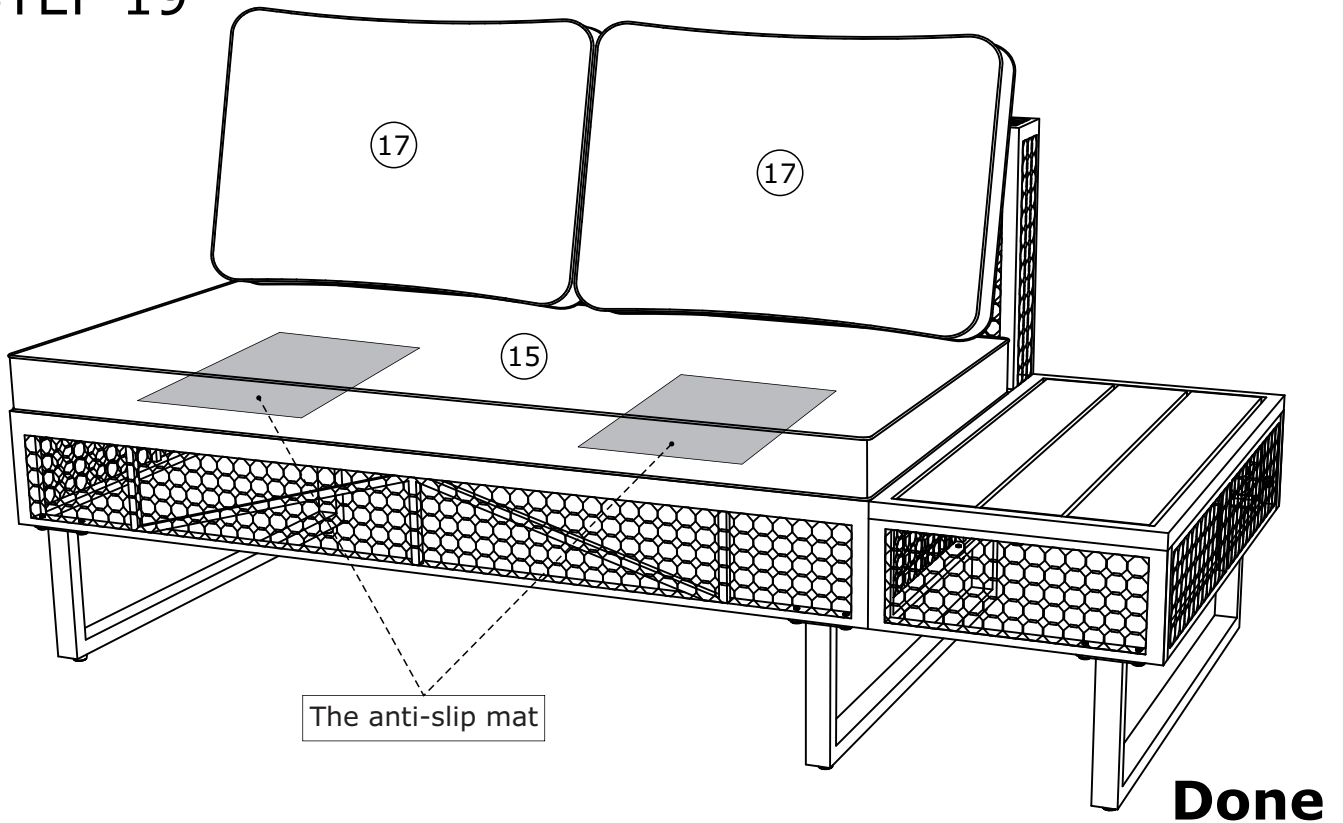
Connect the side bench & bench 2 seater with Allenkey (K).

STEP 18



Tighten all bolts with Allenkey (K).

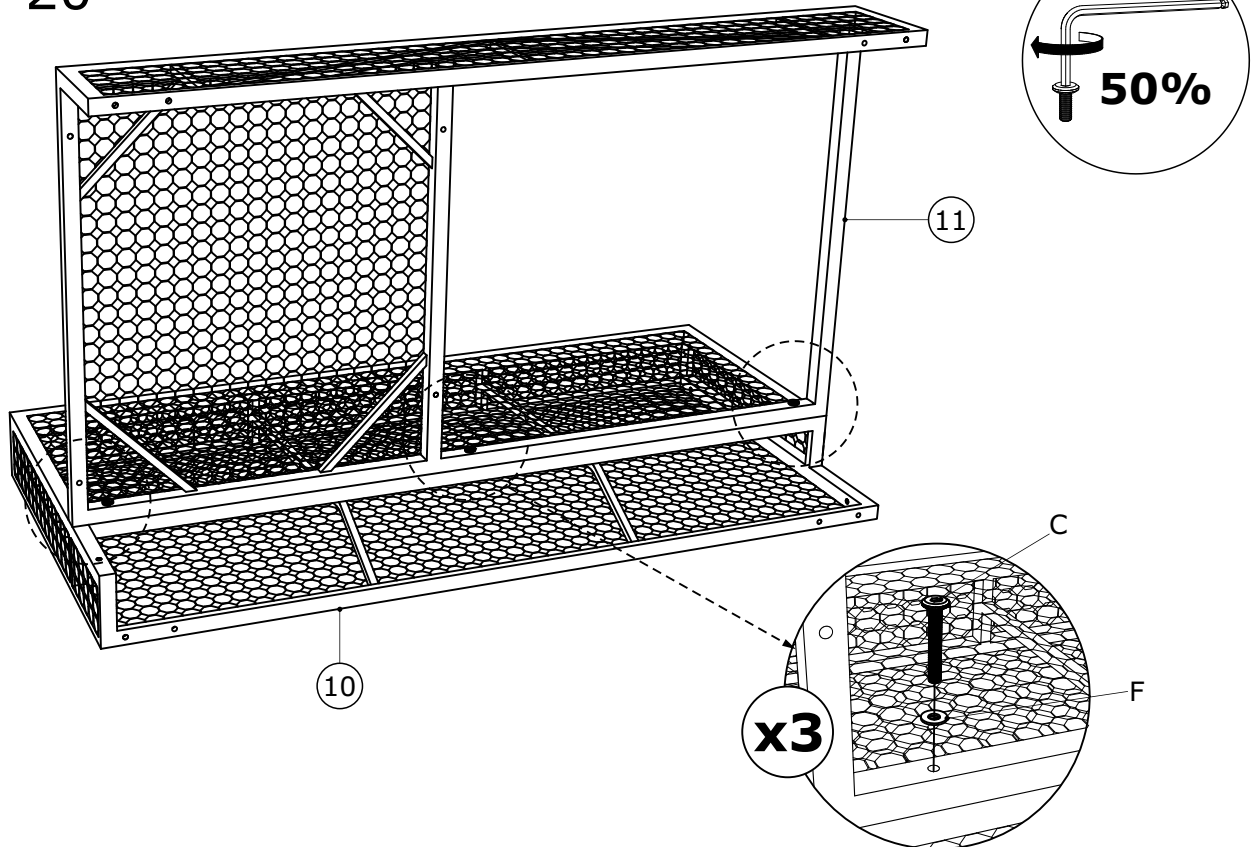
STEP 19



Put the anti-slip mats on the top bench first, and then put the seat cushion bench (15) and pillows (17) onto the bench.

STEP 20

(C) x3
(F) x3

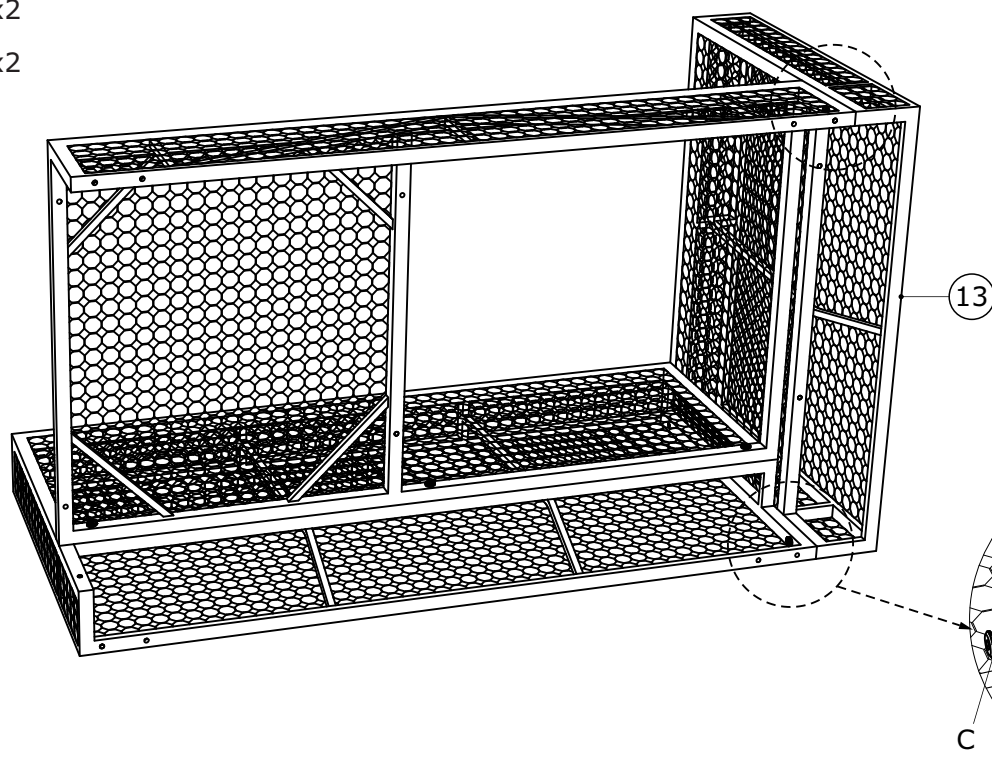


Corner Bench: Connect the seat corner bench (11) & backrest corner bench (10) with Allenkey (K).

STEP 21

(C) x2

(F) x2

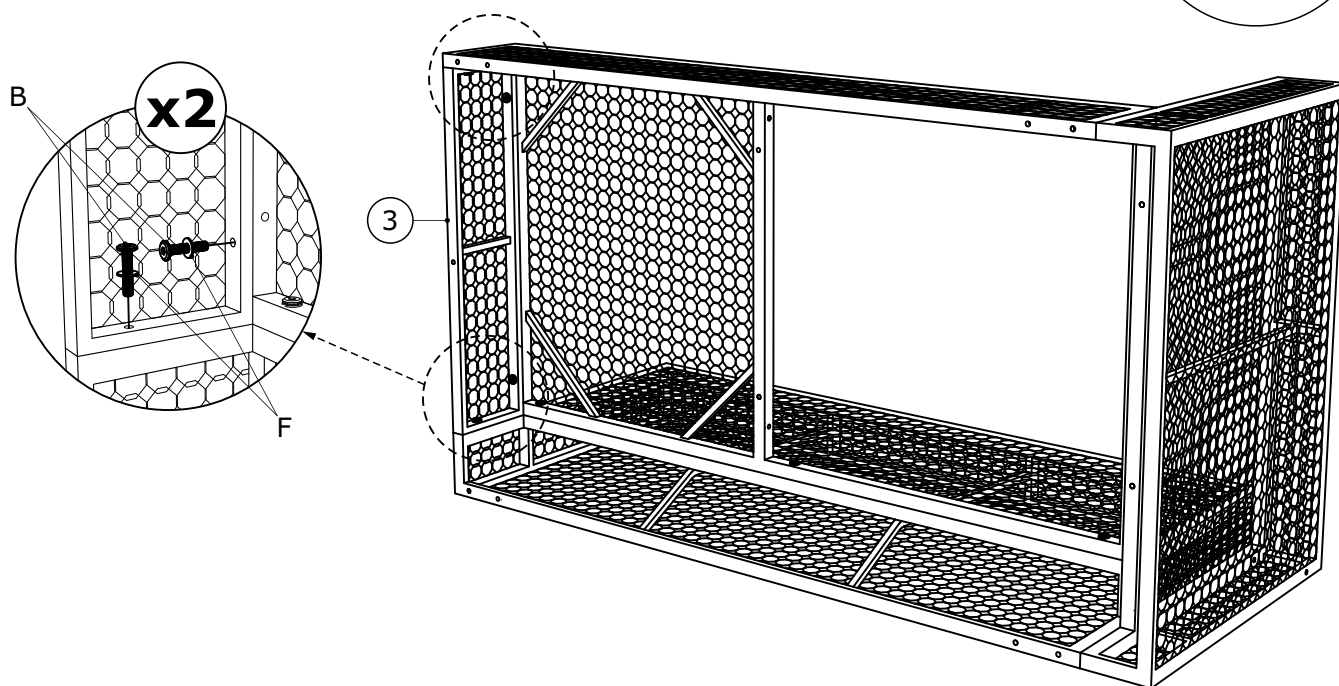


Connect the arm corner bench (13) with Allenkey (K).

STEP 22

(B) x4

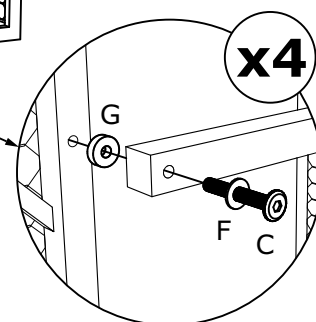
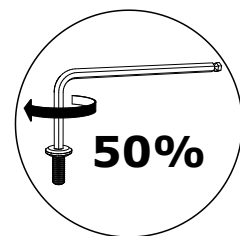
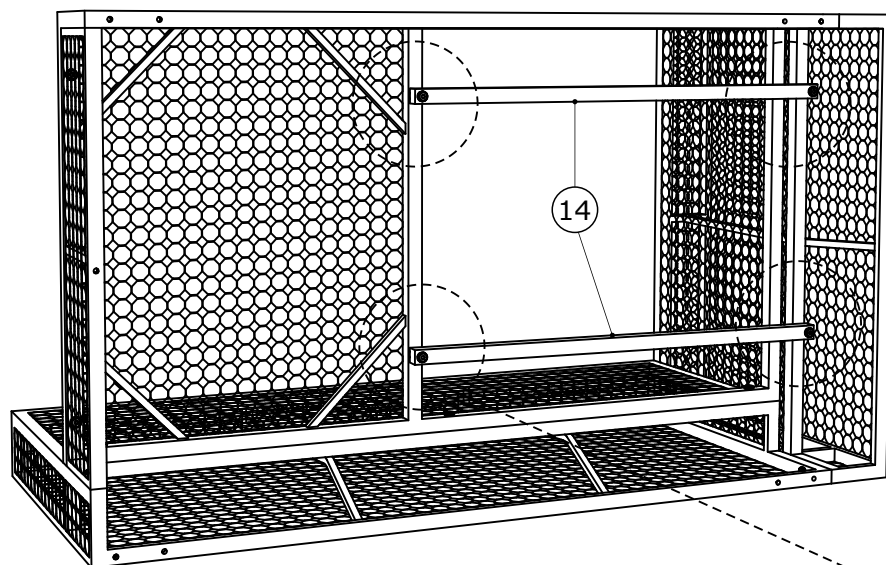
(F) x4



Connect the brace bench (3) with Allenkey (K).

STEP 23

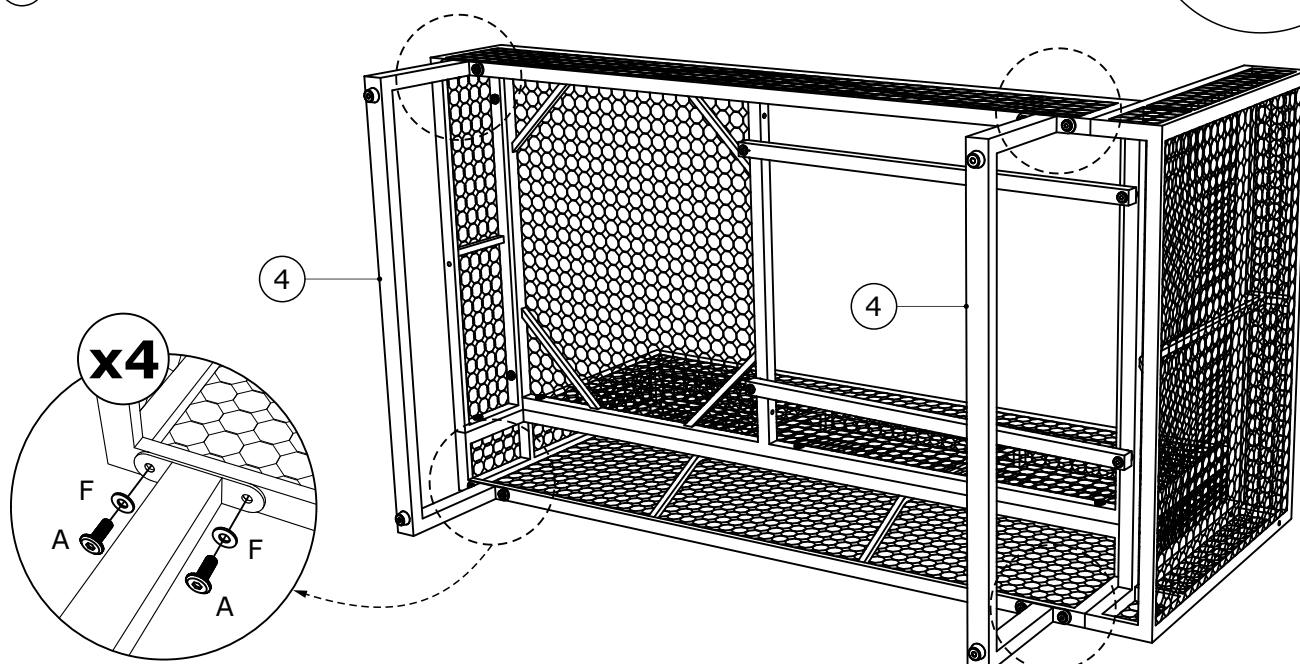
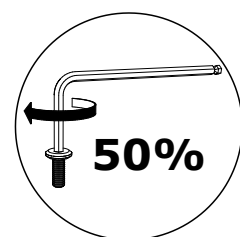
- (C) x4
- (F) x4
- (G) x4



Connect the seat support bar corner bench (14) with Allenkey (K).

STEP 24

- (A) x8
- (F) x8

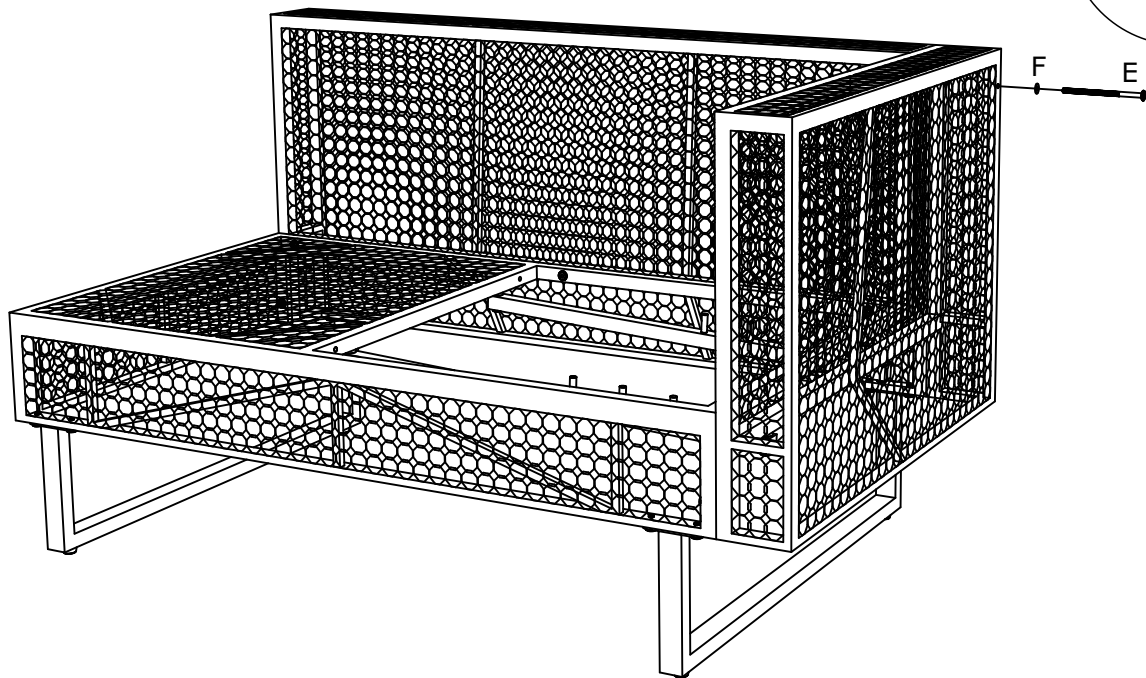
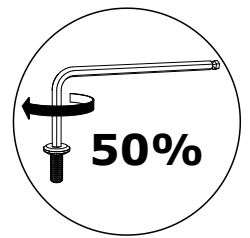


Connect the legs bench (4) with Allenkey (K).

STEP 25

(E) x1

(F) x1

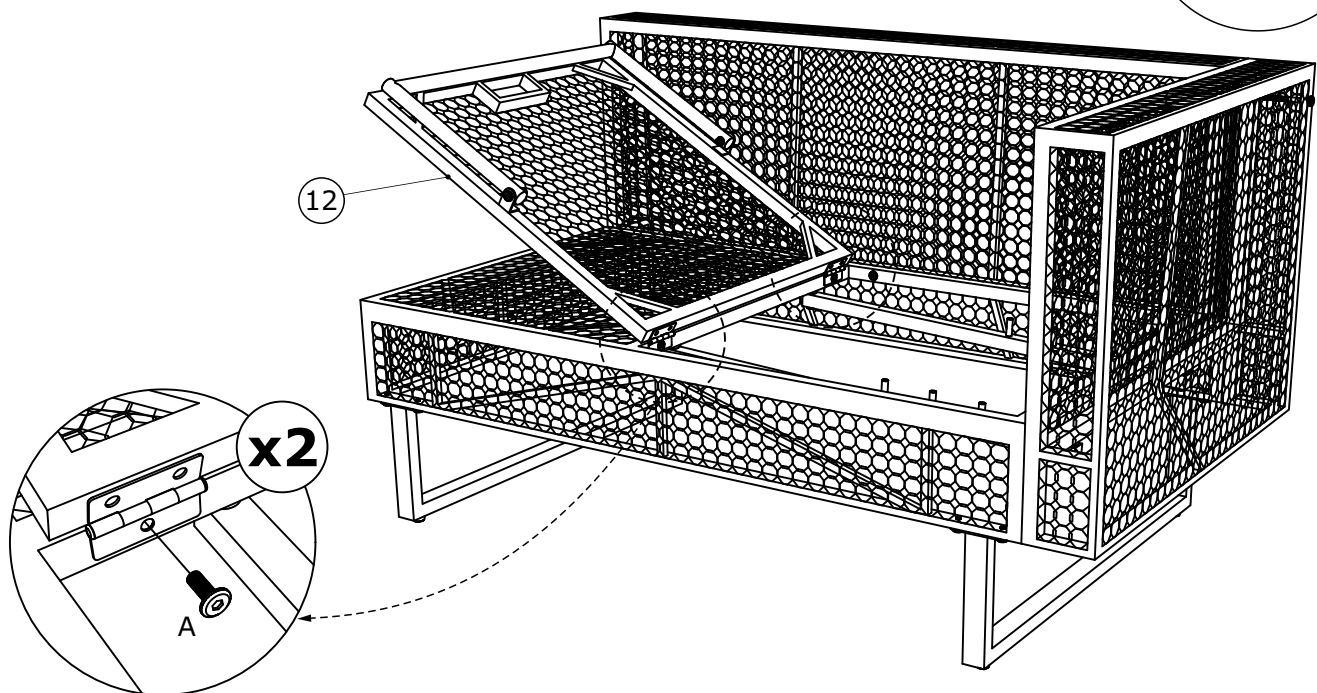
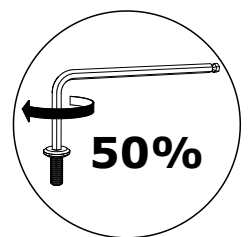


Connect the arm corner bench (13) with Allenkey (K).

STEP 26

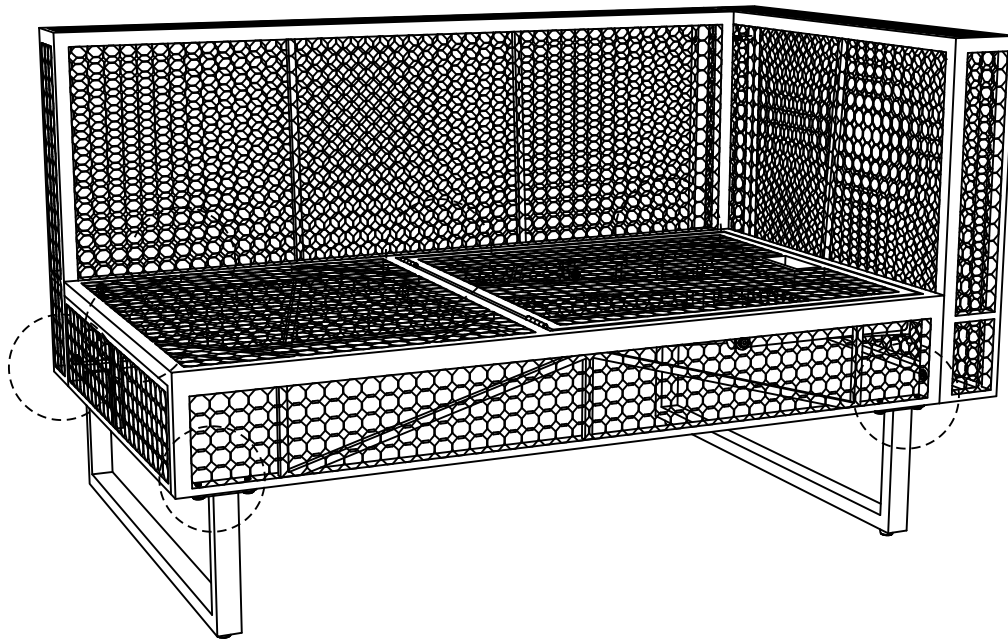
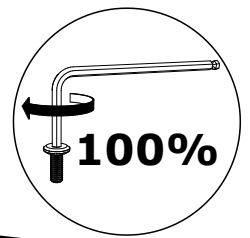
(A) x2

x2



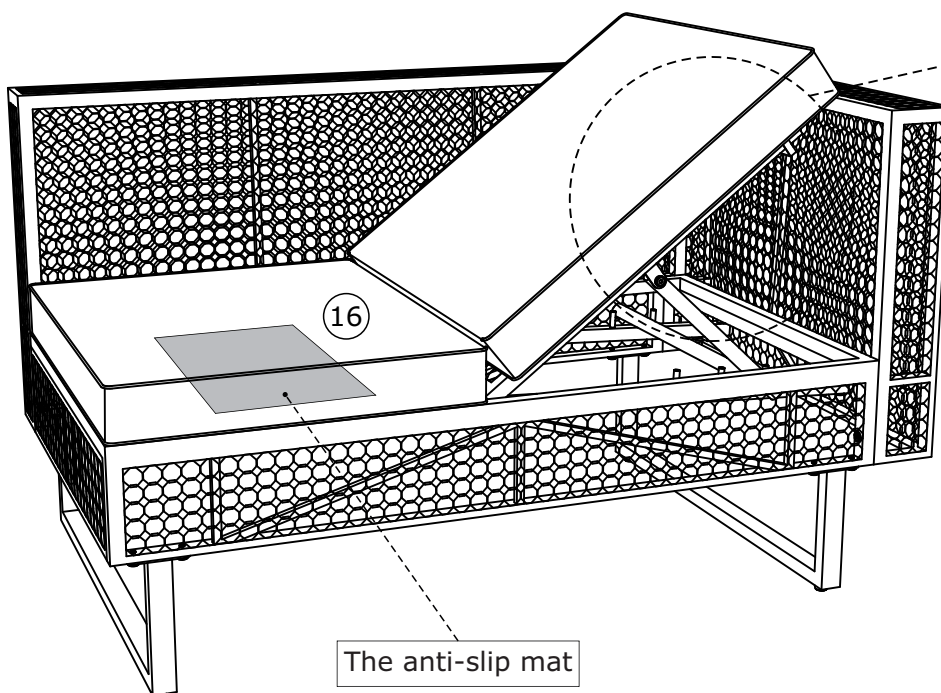
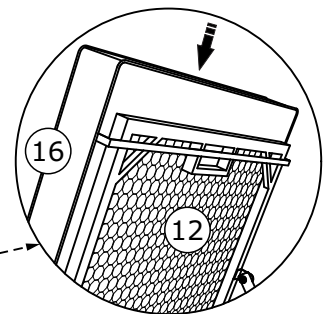
Connect the flip backrest corner bench (12) with Allenkey (K).

STEP 27



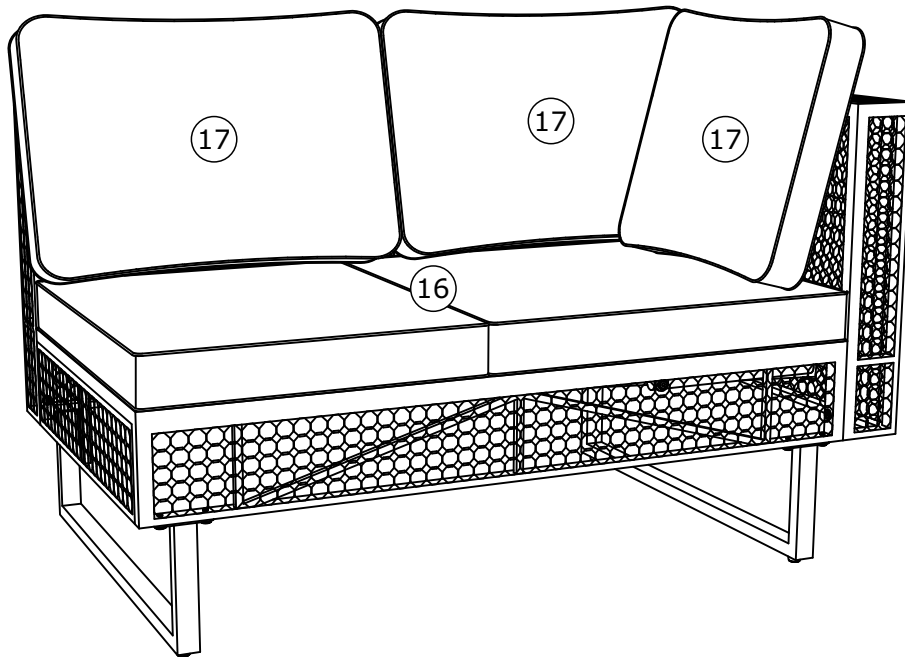
Tighten all bolts with Allenkey (K).

STEP 28



Put the anti-slip mats on the top bench first, and then put the seat cushion bench (16) onto the bench.

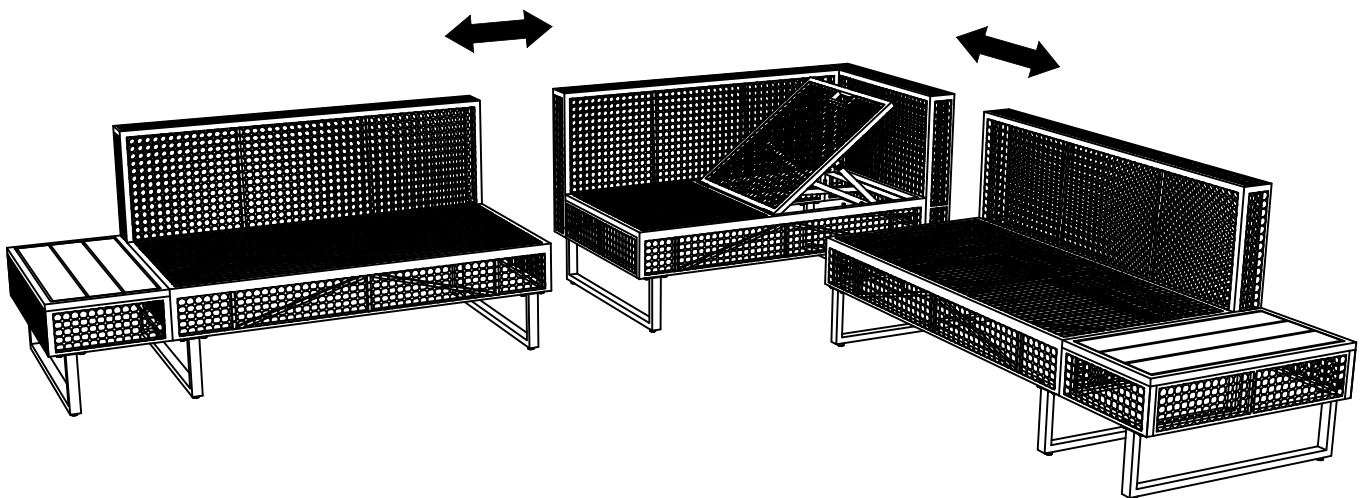
STEP 29



Done

Put the pillows (17) onto the bench.

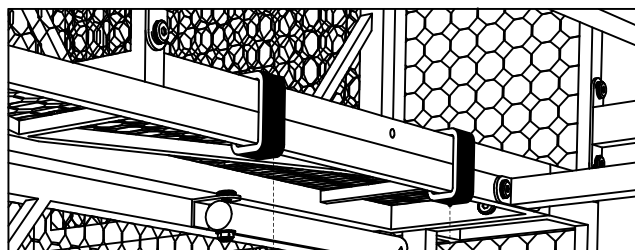
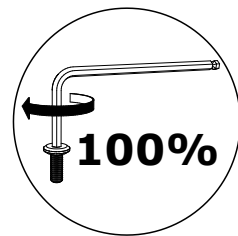
STEP 30



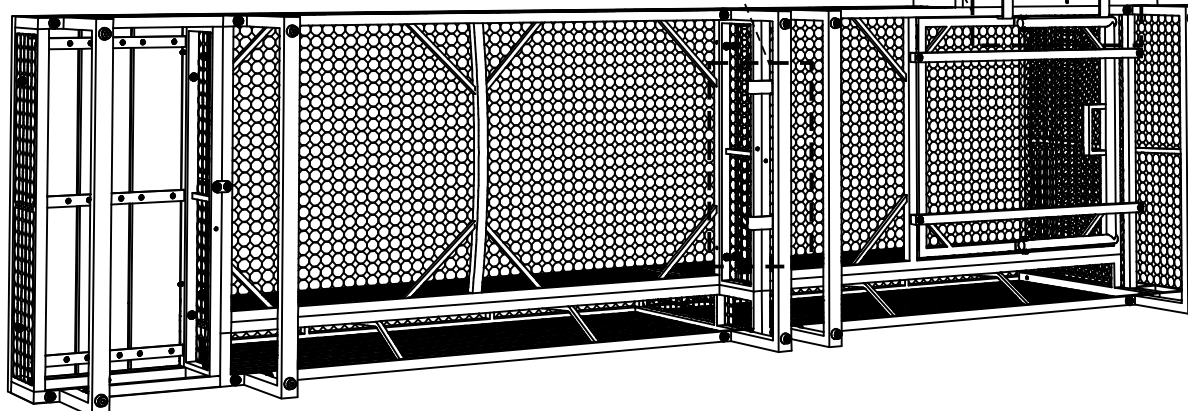
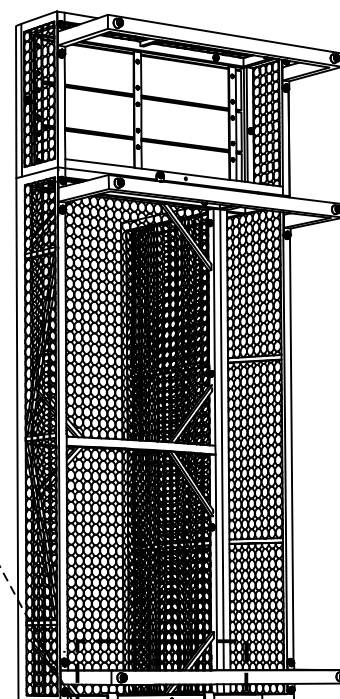
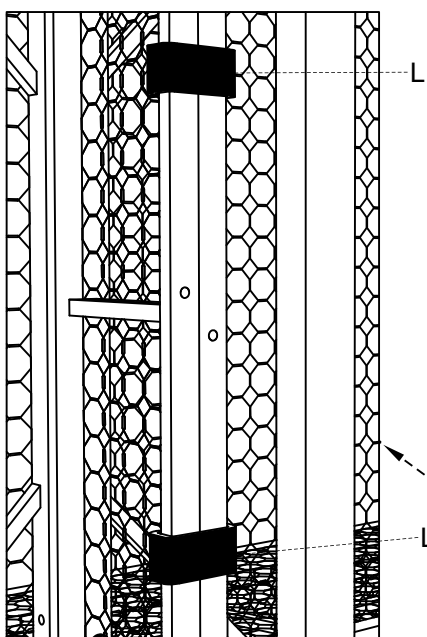
L Corner Sofa Set: Locate the right bench & left bench & corner bench.

STEP 31

(L) x4

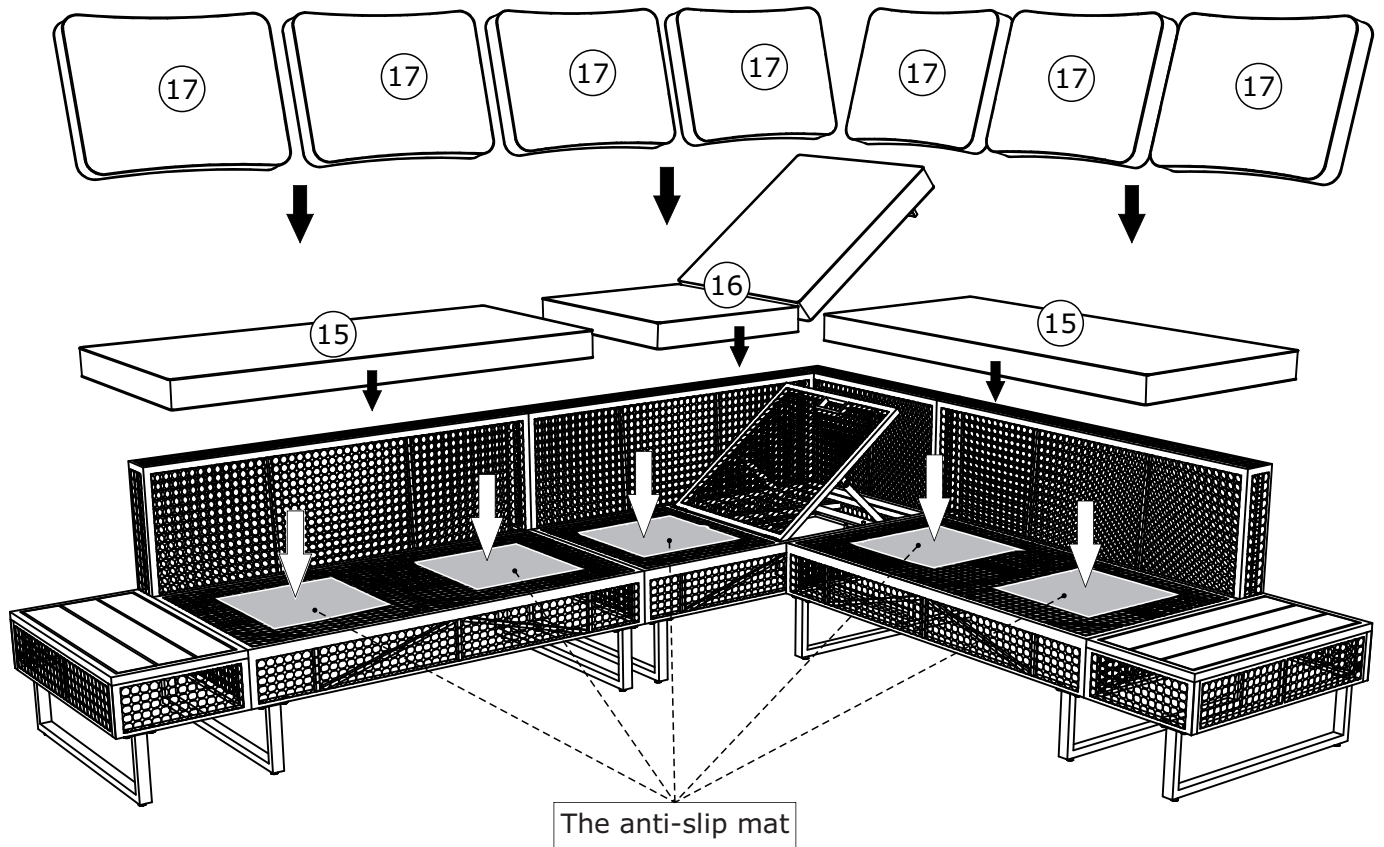


L L



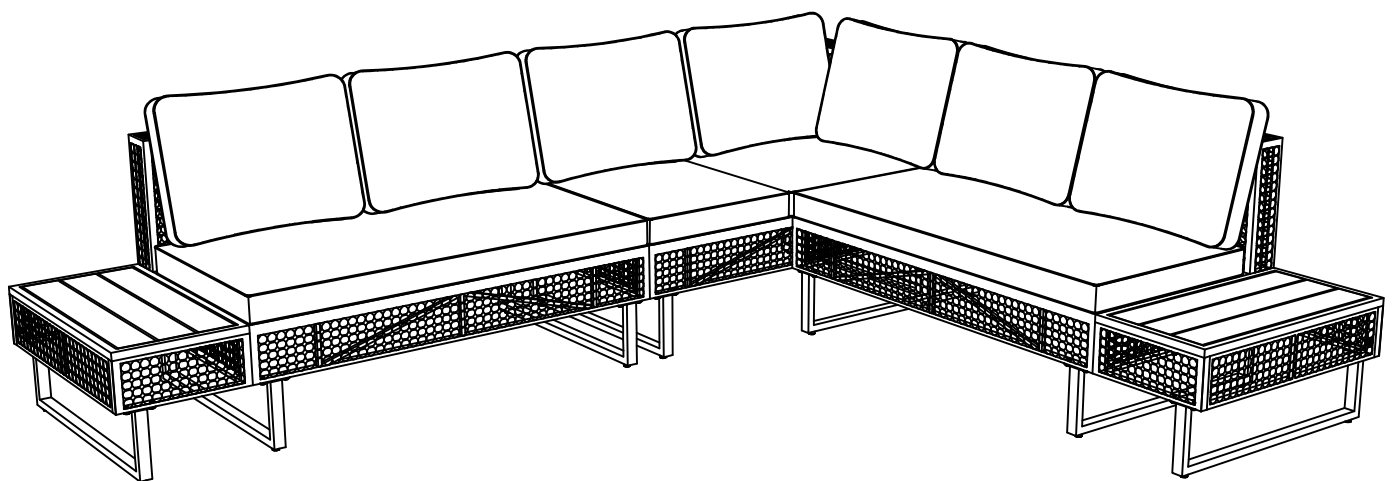
L Corner Sofa Set: Connect the right bench & left bench & corner bench with Plastic connection (L).

STEP 32



L Corner Sofa Set: Put the anti-slip mats first, and then put the seat cushions and pillows onto the Corner Sofa Set.

STEP 33



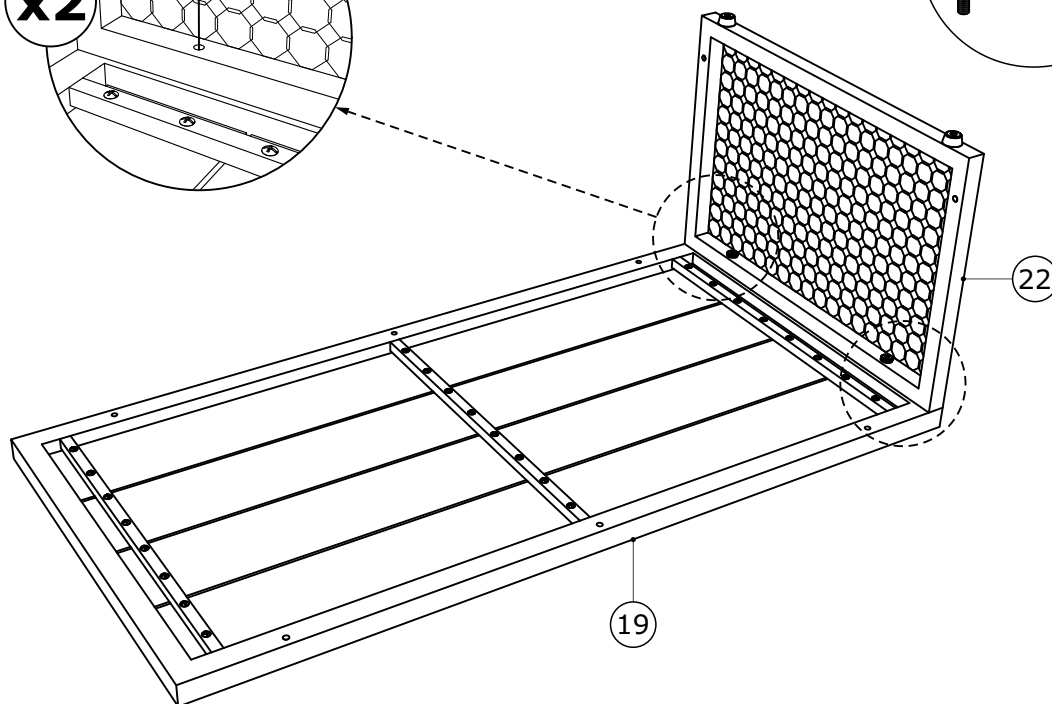
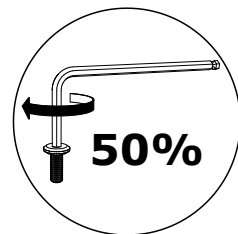
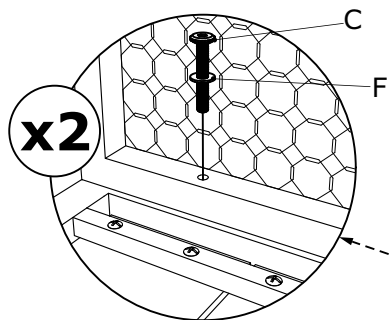
Done

L Corner Sofa Set: Complete assembly.

STEP 34

(C) x2

(F) x2

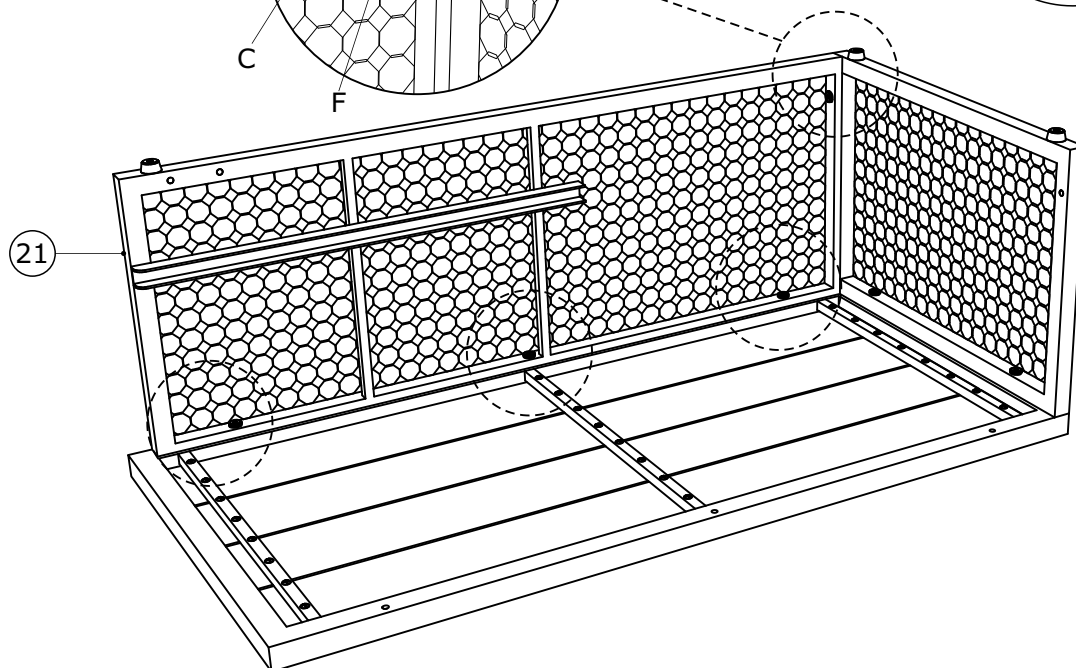
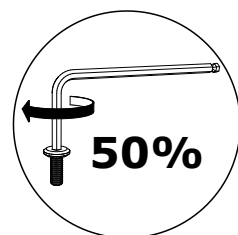
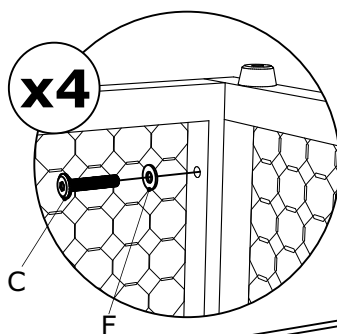


Big table: Connect the leg big table (22) & polywood table top big tabl (19) with Allenkey (K).

STEP 35

(C) x4

(F) x4

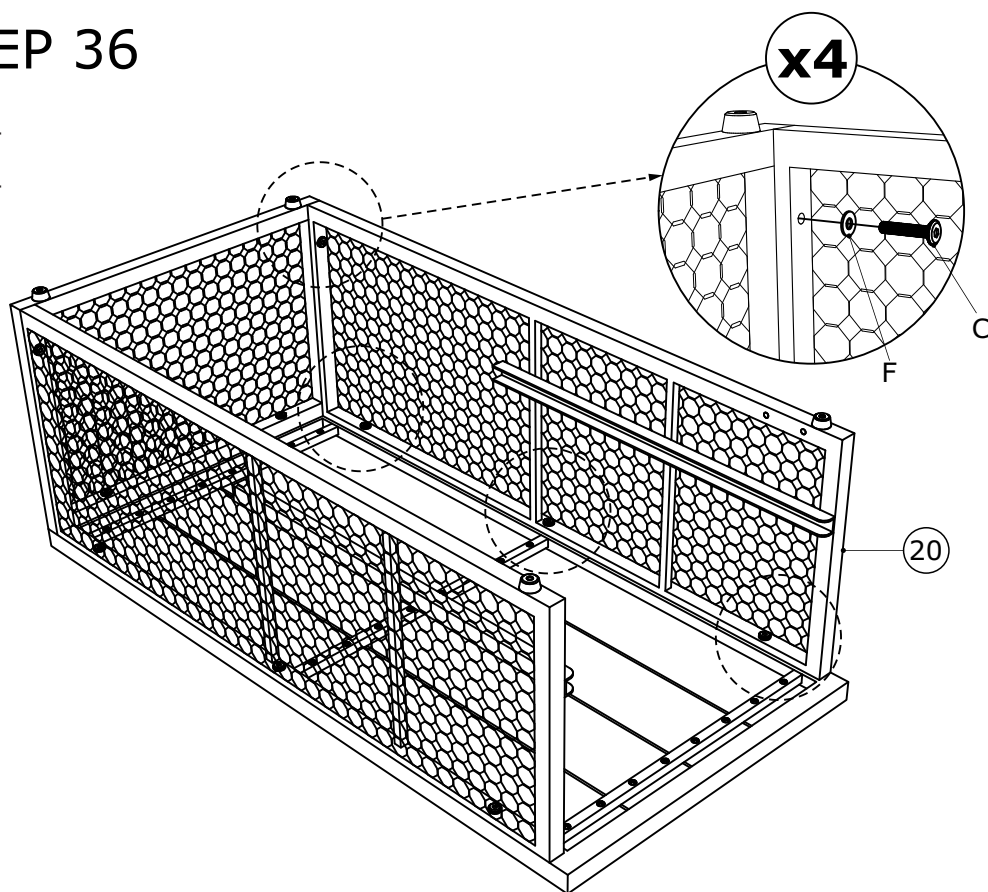


Connect the left brace big table (21) with Allenkey (K).

STEP 36

(C) x4

(F) x4

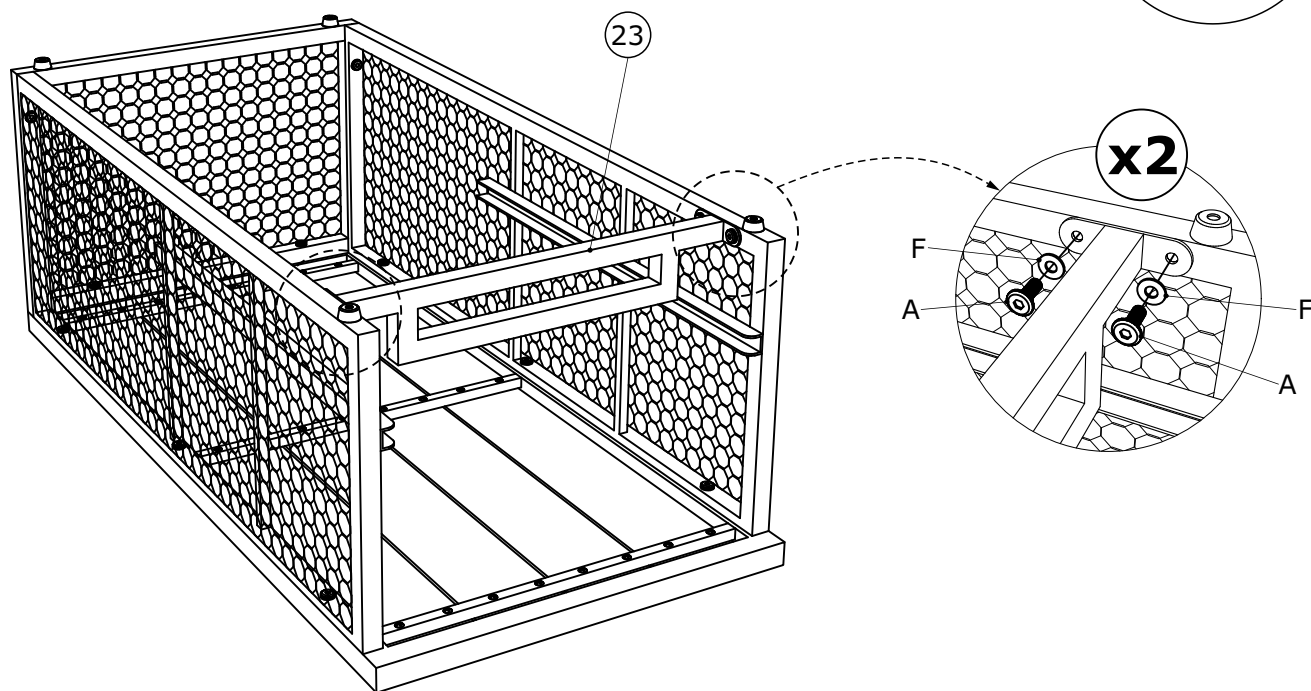


Connect the right brace big table (20) with Allenkey (K).

STEP 37

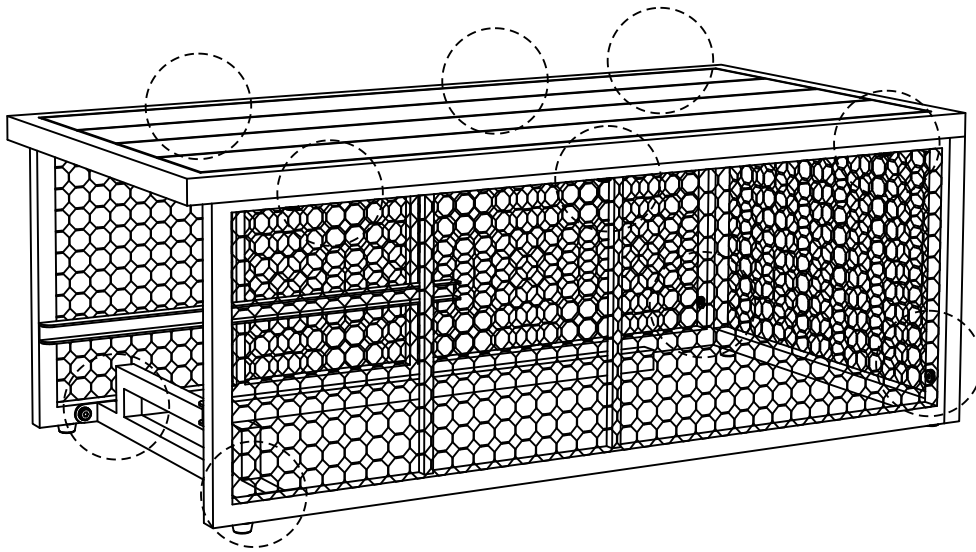
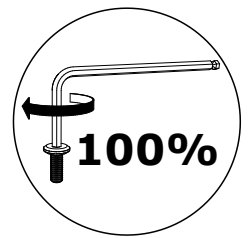
(A) x4

(F) x4



Connect the front brace big table (23) with Allenkey (K).

STEP 38

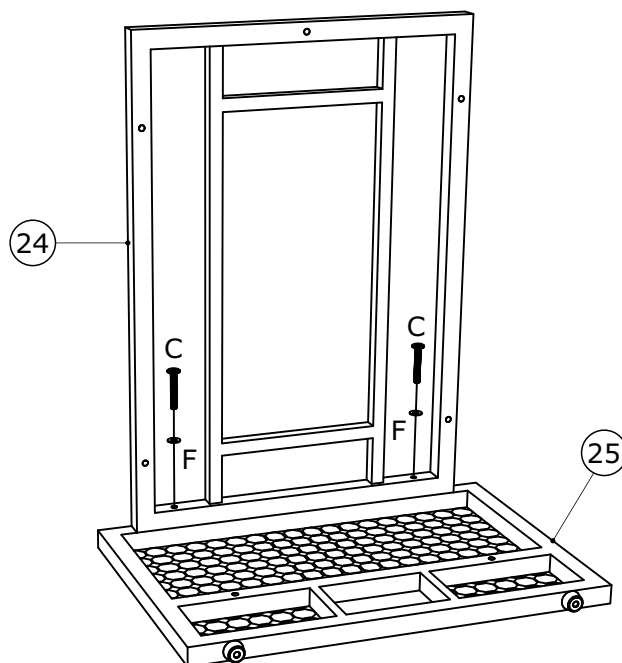
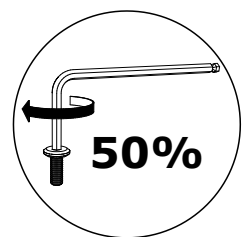


Tighten all bolts with Allenkey (K).

STEP 39

(C) x2

(F) x2

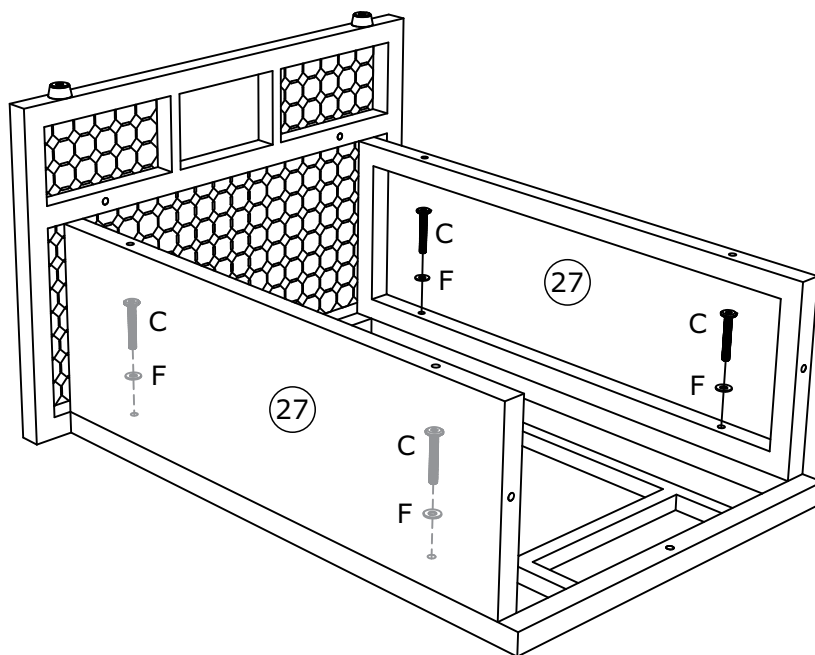


Side Bench: Connect the table top side table (24) & front leg side table (25) with Allenkey (K).

STEP 40

(C) x4

(F) x4

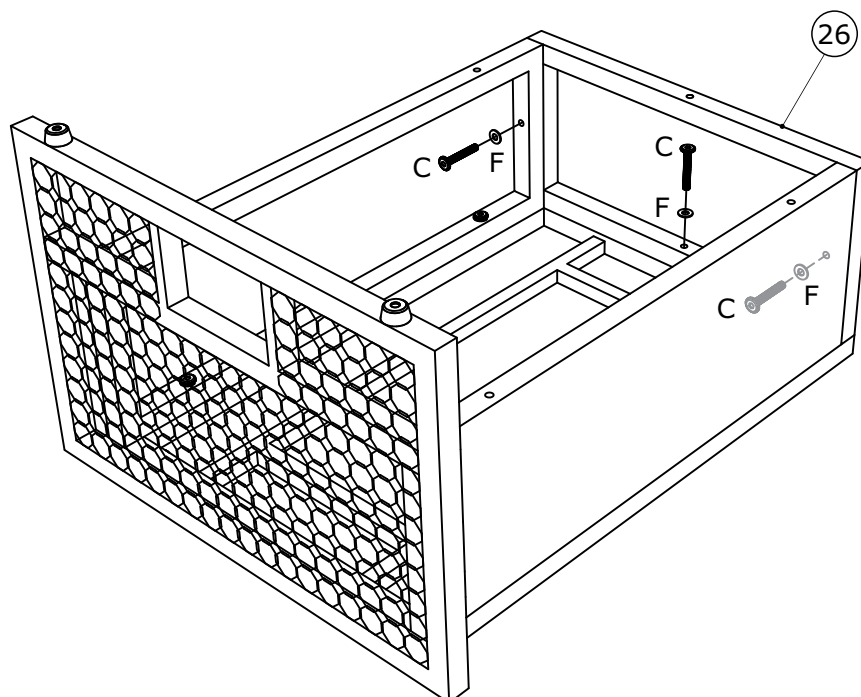


Connect the braces side table (27) with Allenkey (K).

STEP 41

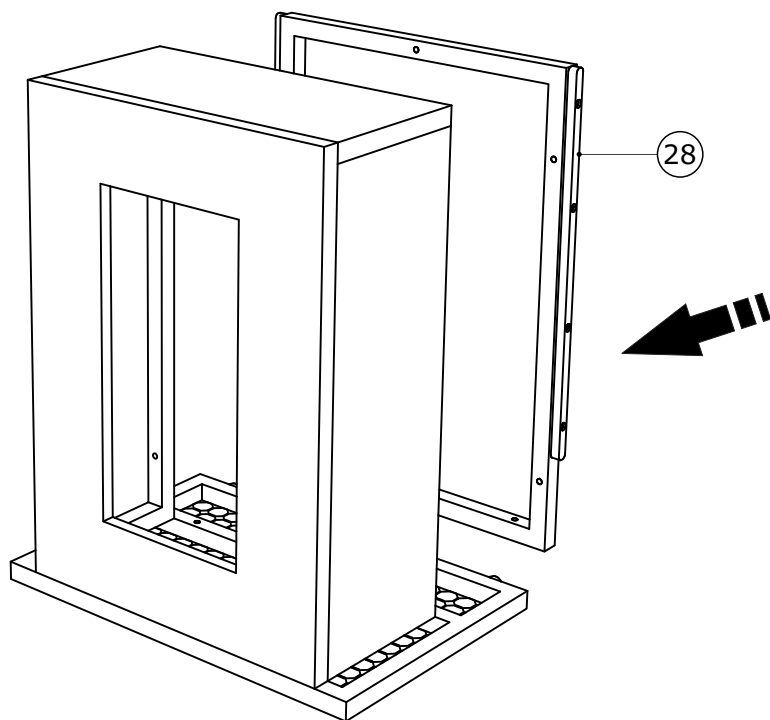
(C) x3

(F) x3



Connect the back left side table (26) with Allenkey (K).

STEP 42

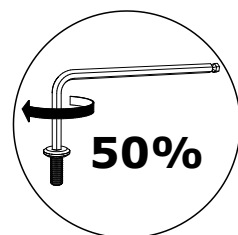
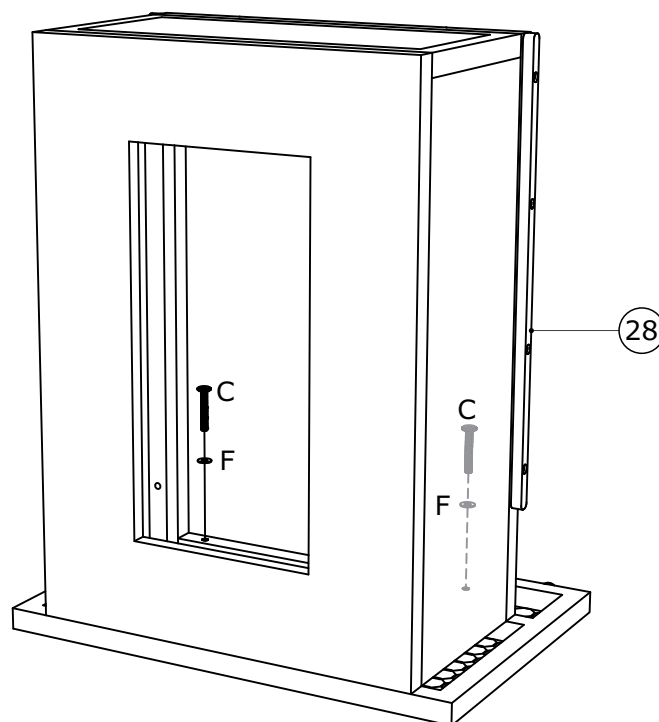


Connect the table bottom side table (28).

STEP 43

(C) x2

(F) x2

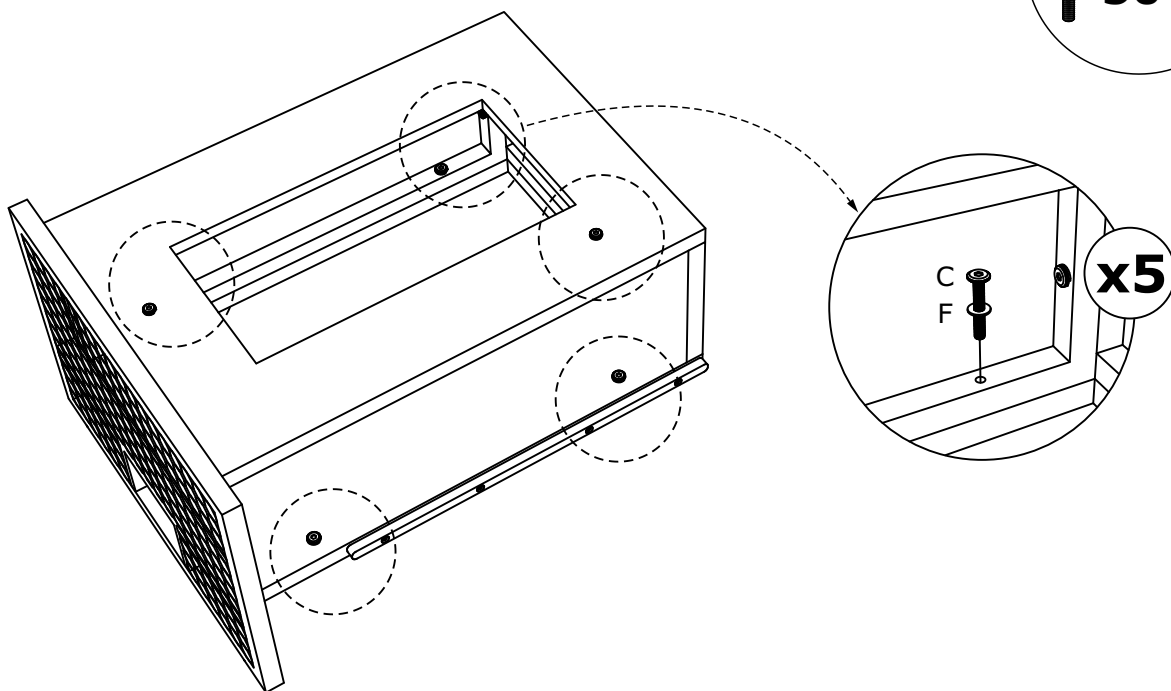


Connect the table bottom side table (28) with Allenkey (K).

STEP 44

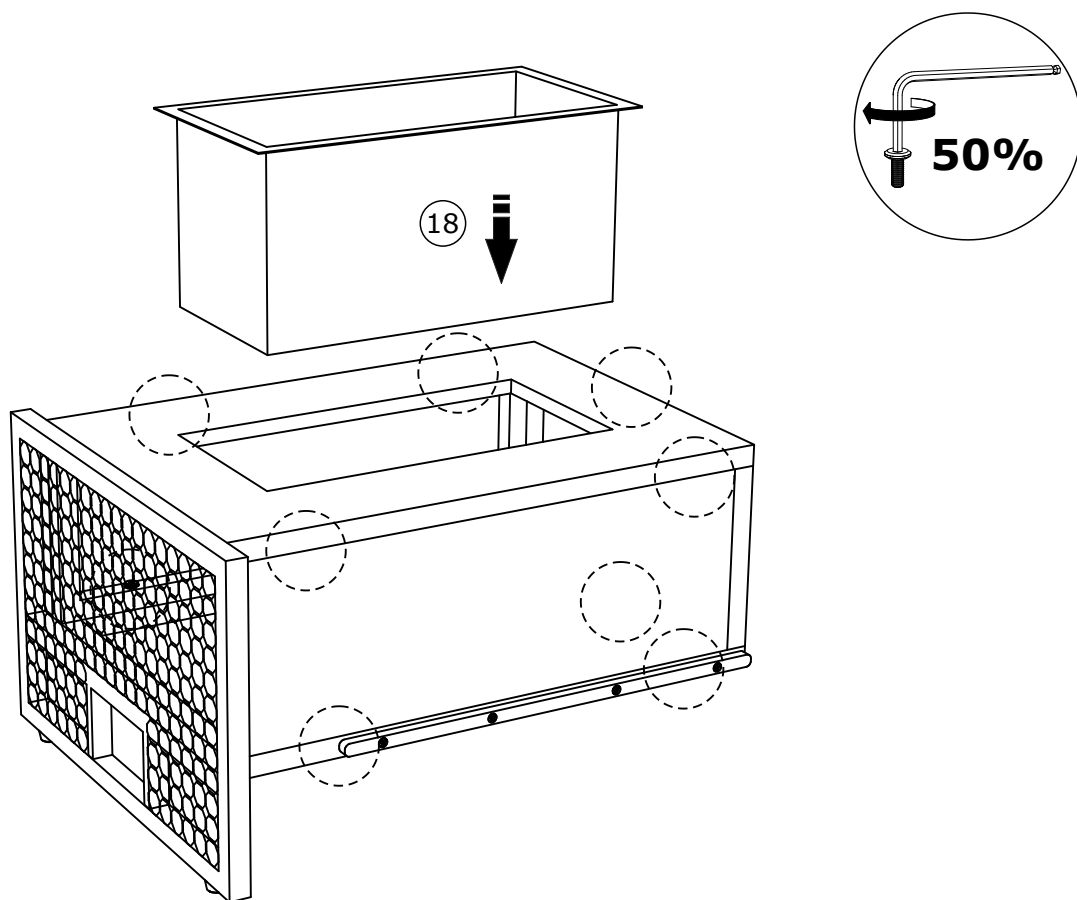
(C) x5

(F) x5



Connect the table bottom side table (28) with Allenkey (K).

STEP 45



Tighten all bolts with Allenkey (K) then put the ice bucket (18) on the side table.

STEP 46

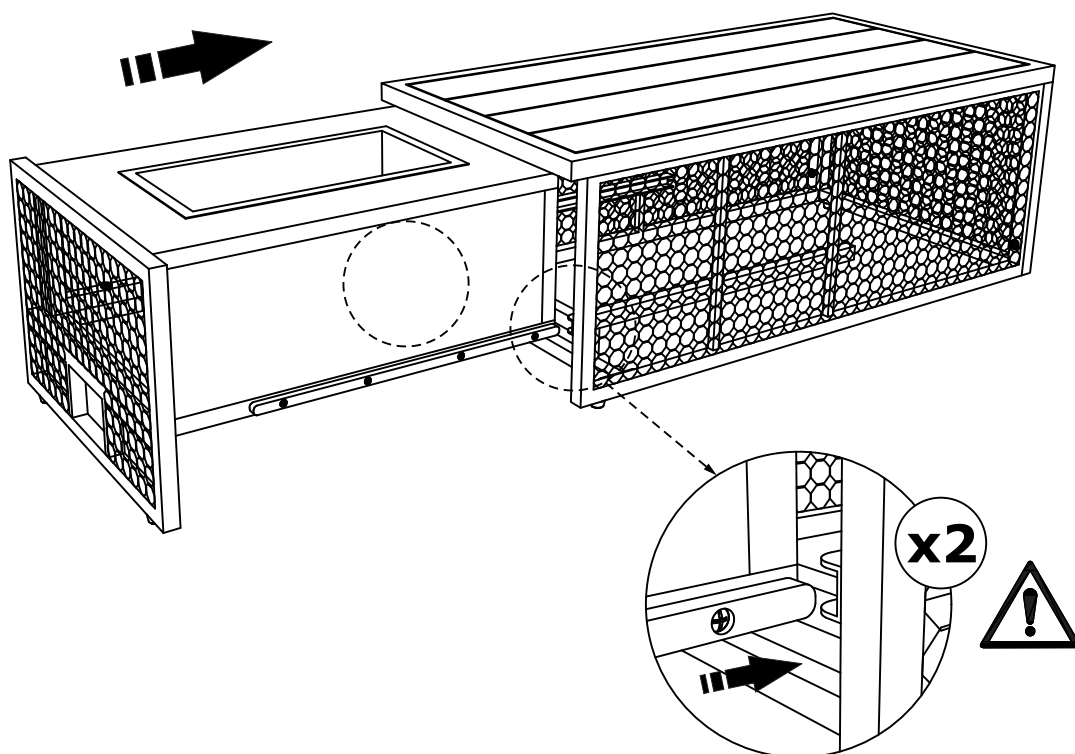
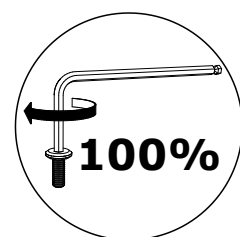
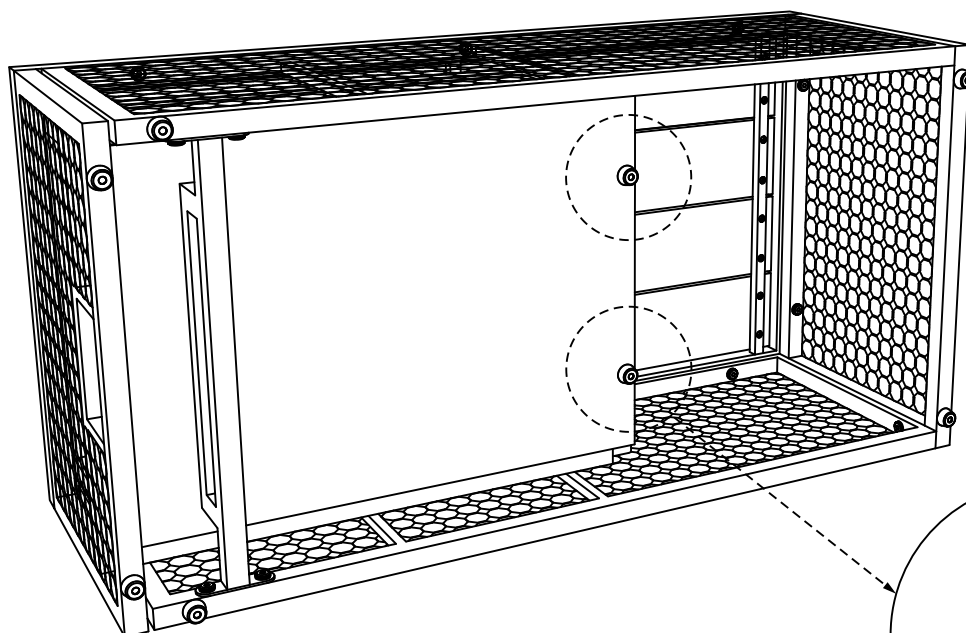


Table: Connect the side table & big table.

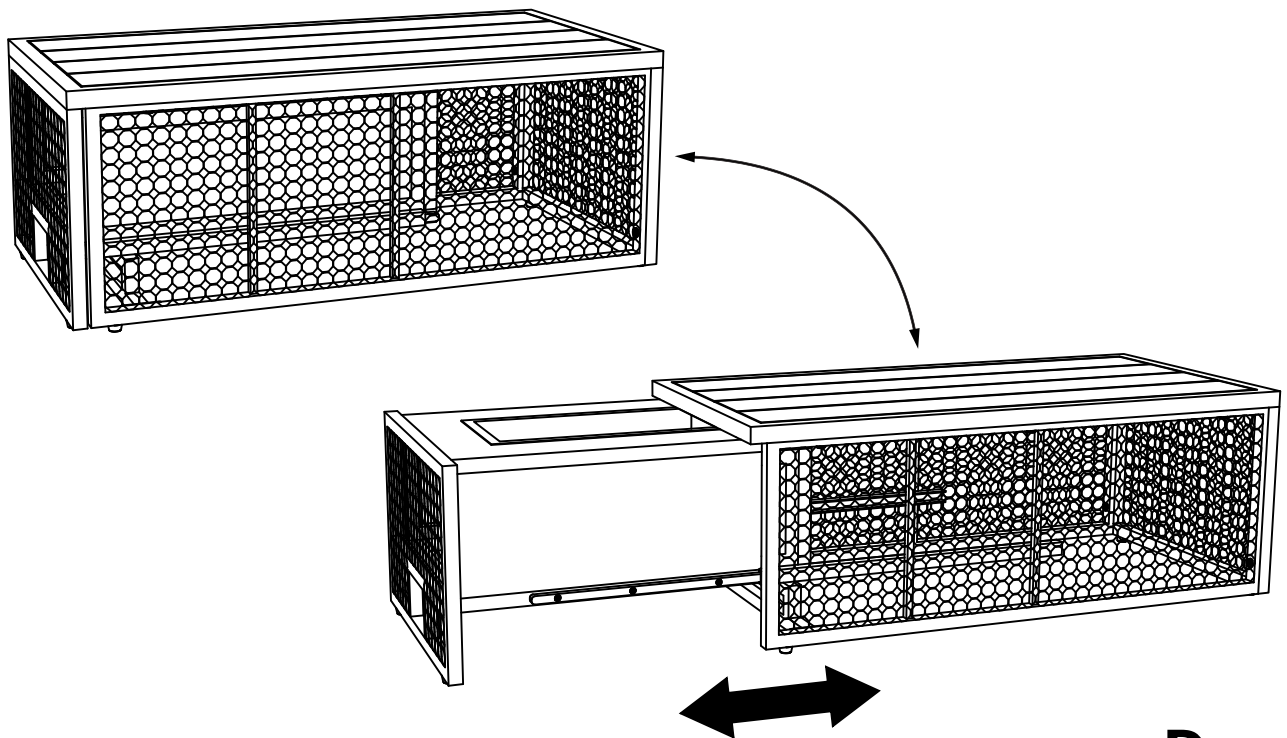
STEP 47

(J) x2



Tighten the lock button onto the table bottom of the side table.

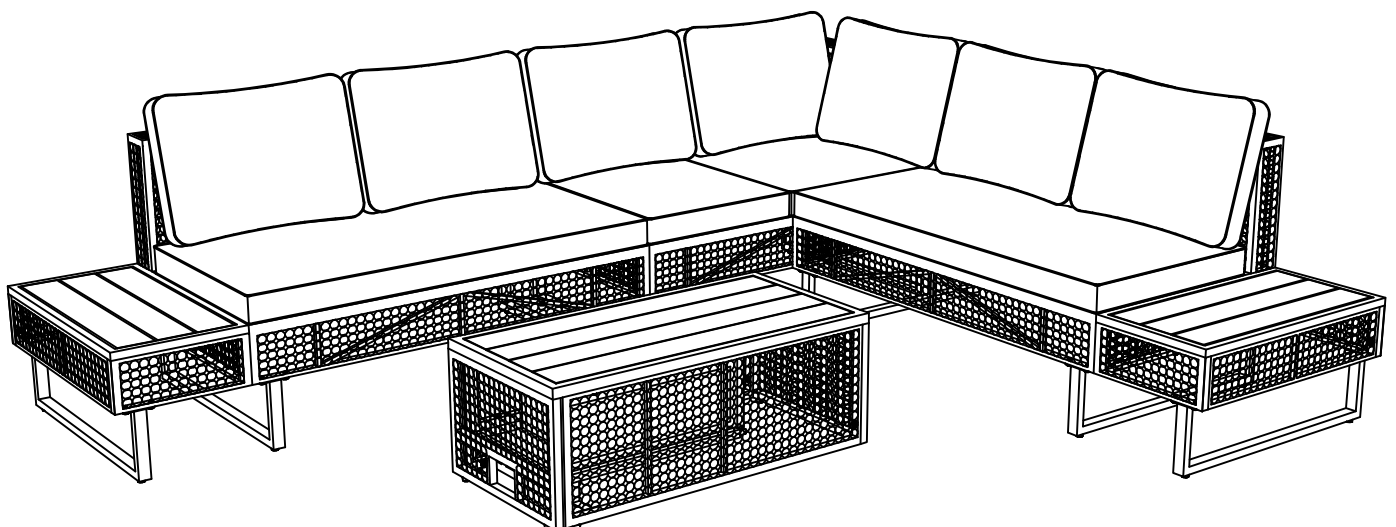
STEP 48



Done

The side table can be moved in and out with the big table.

STEP 49



Finished