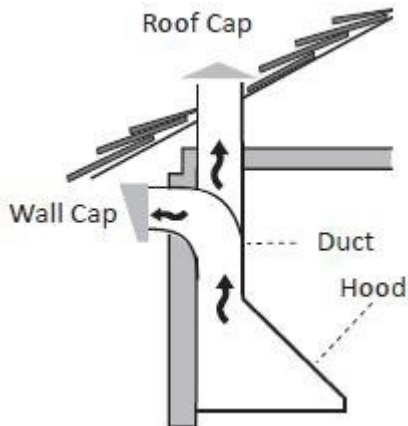
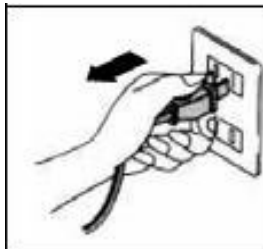


3. INSTALLATION (Before You Start...)

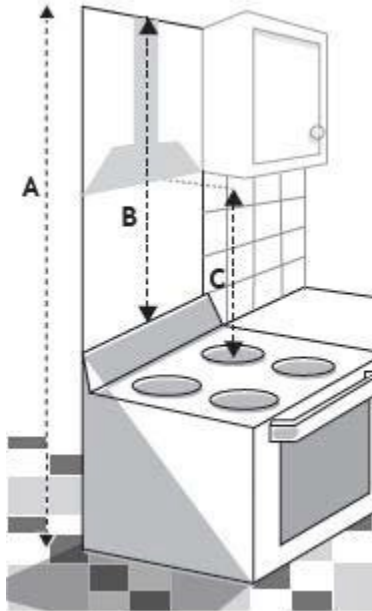
1. Read this manual carefully and completely.
2. Chambers® range hoods conform to cETLus standards. Check your local building codes for any additional requirements.
3. The appliance has been manufactured as Class I, therefore a ground connection is necessary. A 120V power cord with plug is provided. **The range hood must be installed so that the electrical outlet is easily accessible with the chimney in place.**
4. This appliance has been designed for use in both ducted and recirculating modes, follow the appropriate installation method. (For recirculation mode a kit is required – not included. Contact Chambers® to determine if a kit is available for your hood.)
5. Your cooker hood can be exhausted as below by means of an extraction duct (enamel, aluminum, flexible pipe or inflammable material with an interior diameter of 6”) or a recirculating kit (see section 6.)



6. Before installation, turn the unit off and unplug it from the outlet.



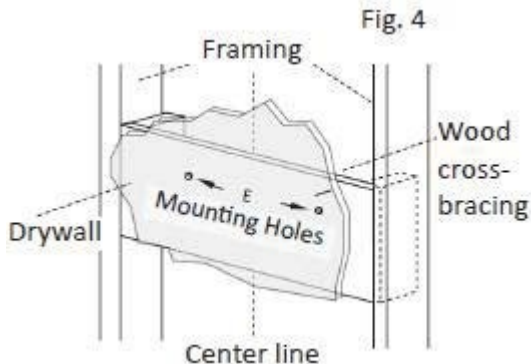
7. For models with LED Panel Lighting, do not install the range hood less than 30 inches from the cooking surface (Fig C.) to avoid potential safety hazards.

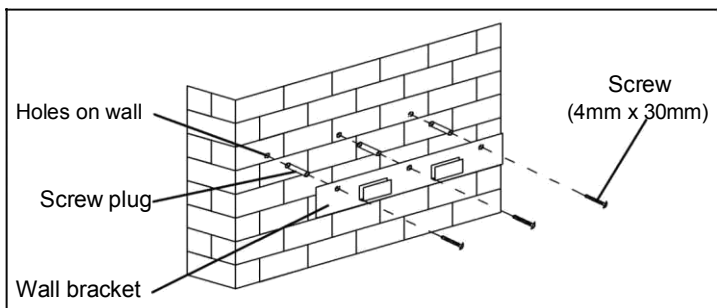


4. INSTALLATION (EXTERIOR VENTILATION):

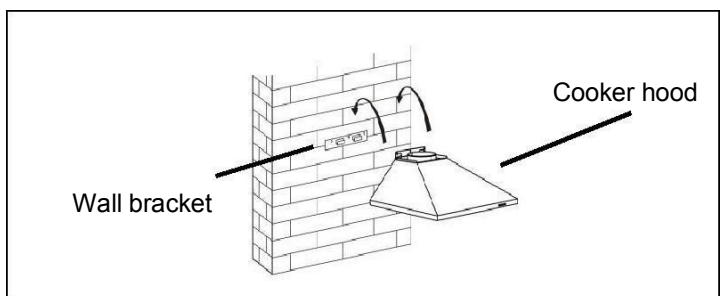
When the range hood is in operation, the negative pressure in the room must not exceed 4 Pa (4×10 Bar)

1. Drill 3x8mm holes to accommodate the body bracket. Fasten the bracket onto the wall with the screws and screw plugs provided. Ensure that you affix the bracket to a wall stud or mounting plate.

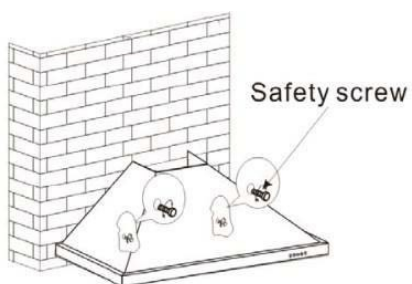




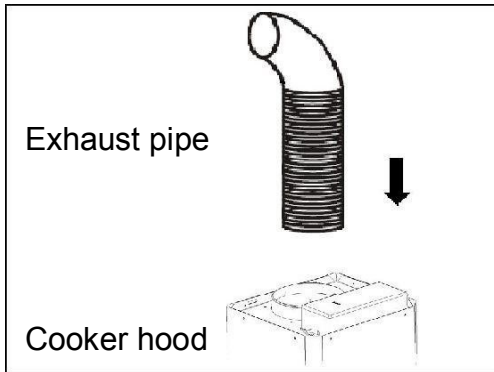
2. Lift the cooker hood and hang it onto the wall bracket hooks.



3. After hanging the hood on the bracket, remove the filters, mark the 2 safety screw holes inside the hood. After marking, remove the hood and drill two holes. Insert 2 wall plugs and finally fasten the safety screws with 2 x ST4x30mm screws.

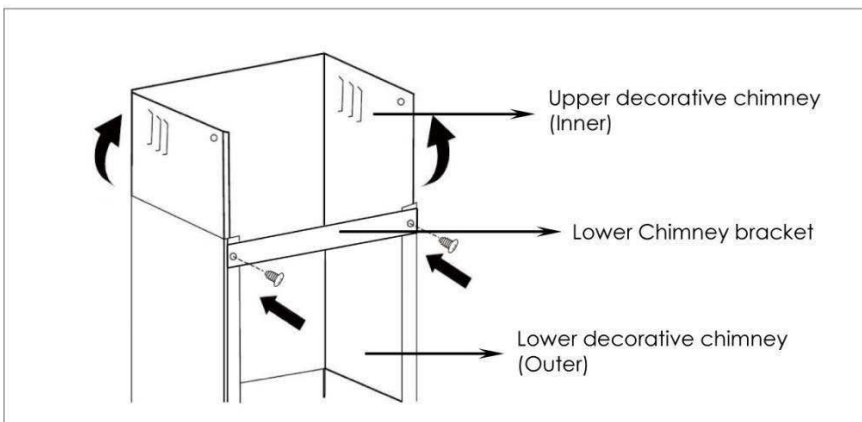


4. Fix the one-way-valve (air damper) to the exhaust hole of the range hood if it has not been factory installed. Then, attach the exhaust pipe to the one-way-valve as shown below.

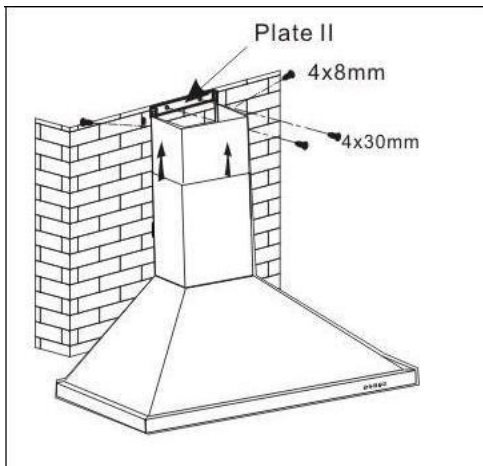


5. CHIMNEY INSTALLATION

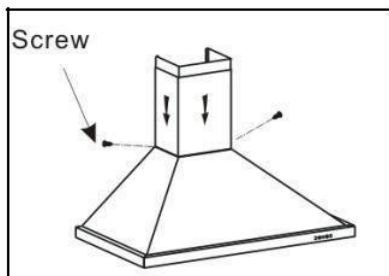
1. Place the upper chimney into the lower chimney.
2. Before attaching the bracket to the chimney, decide and mark the location of lower chimney bracket screw holes for fixing the lower chimney bracket to the wall. Use 2 pcs ST4x8mm screws to attach the lower chimney bracket to the lower chimney.
3. **Do not over tighten the screws.**
4. Fix the lower chimney to the wall with 2 screws (ST4x30) and 2 wall plugs
5. Make sure the upper chimney can be telescopically adjusted after assembly.



6. Mark and drill 2 holes to accommodate the upper chimney bracket. Screw and tighten the upper chimney bracket to the wall with 2 screws (ST4x30) and 2 wall plugs. Slide the upper chimney up to the correct height and affix the upper chimney to the upper chimney bracket via 2 x ST4x8mm screws.

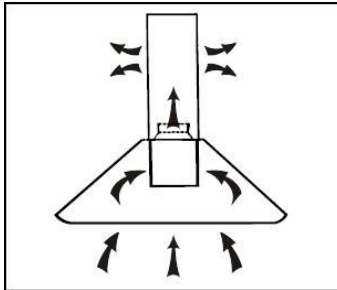


7. Fix the lower chimney to the hood with 2 x ST4x8mm screws.

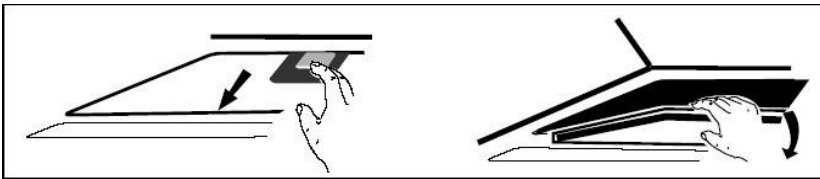


6. INSTALLATION (RECIRCULATING)

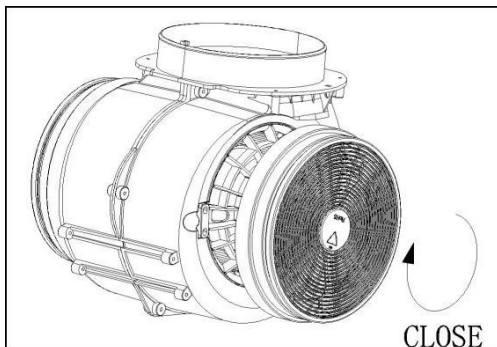
If you cannot vent your range hood externally, an exhaust pipe is not required. A recirculating kit can be used to clean the air and trap odors.



1. To install the activated carbon filter, the grease filters should be removed first. Press down the locking tab to remove the filters.



2. Attach the activated carbon filter to the air intake and turn it in a clockwise direction. Repeat on the other side.



NOTE:

- * *Make sure the filter is securely locked. Otherwise, it may become loose and cause damage or injury.*