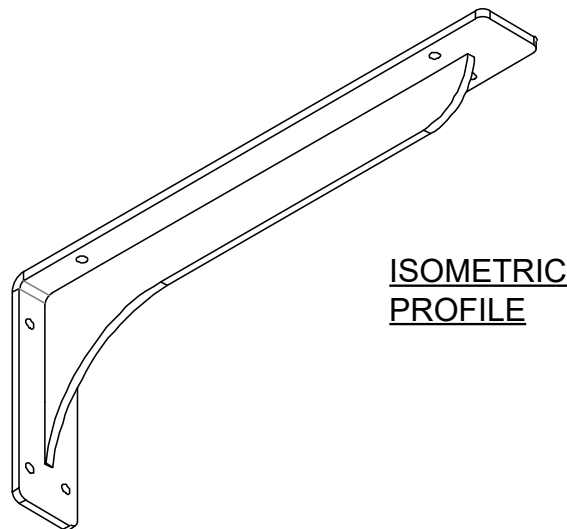
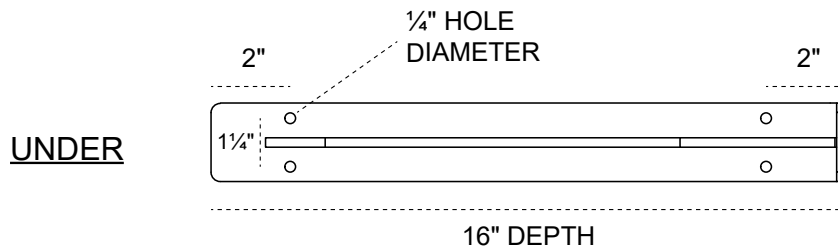
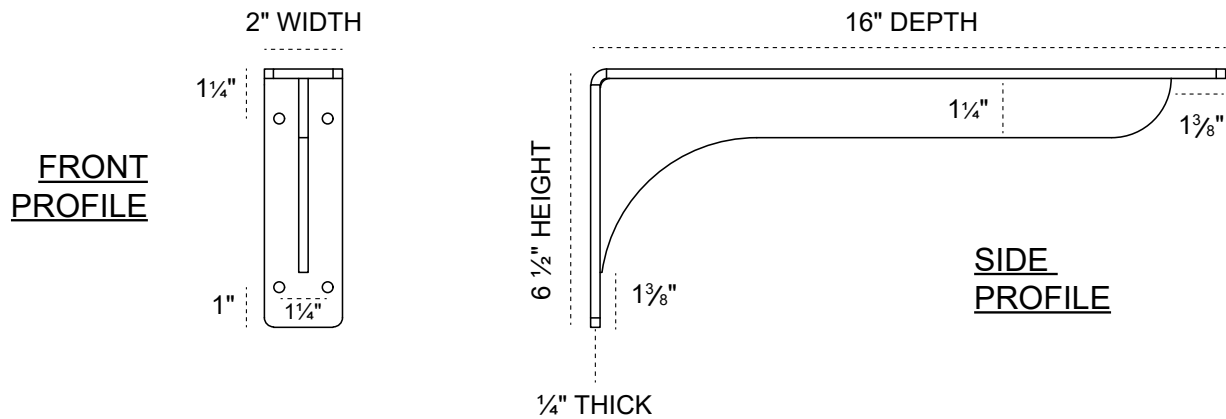


# 2-INCH W X 16-INCH D X 6½-INCH H EMBREY BRACKET



**HEAVY-DUTY ¼" THICK**

**AVAILABLE IN:**  
STAINLESS STEEL  
ZINC PLATED STEEL  
POWDER COATED BLACK

**BKTM02X16X06EBSS**  
**BKTM02X16X06EBCRS**  
**BKTM02X16X06EBPBL**

P:866.607.0453 | F: 866.591.3143  
2300 W. Main St. | Clarksville, TX 75426  
sales@ekenamillwork.com | www.ekenamillwork.com



**EKENA**  
MILLWORK